



US00D917221S

(12) **United States Design Patent** (10) **Patent No.:** **US D917,221 S**
Waldner (45) **Date of Patent:** **** Apr. 27, 2021**

(54) **STOVE**

(71) Applicant: **Fabworks Inc.**, Decker (CA)

(72) Inventor: **Nathan Waldner**, Decker (CA)

(73) Assignee: **Fabworks Inc**, Decker (CA)

(**) Term: **15 Years**

(21) Appl. No.: **29/696,942**

(22) Filed: **Jul. 2, 2019**

(51) **LOC (13) Cl.** **07-02**

(52) **U.S. Cl.**
USPC **D7/335**

(58) **Field of Classification Search**
USPC D7/323, 327, 332, 334, 335, 339, 347,
D7/348, 350.2, 350.3, 350.4, 354, 402
CPC .. A47J 33/00; A47J 36/38; A47J 37/00; A47J
37/04; A47J 37/06; A47J 37/0623; A47J
37/0629; A47J 37/0635; A47J 37/0647;
A47J 37/0652; A47J 37/0658; A47J
37/07; A47J 37/0704; A47J 37/0709;
A47J 37/0713; A47J 37/0718; A47J
37/0722; A47J 37/0727; A47J 37/075;
A47J 37/0754; A47J 37/0763; A47J
37/0786; A47J 2037/0777; F24C 1/16;
F24C 5/20

See application file for complete search history.

(56) **References Cited**

U.S. PATENT DOCUMENTS

2017/0079460 A1* 3/2017 Steputis F24B 1/26

OTHER PUBLICATIONS

Falcon Outdoor Rocket Stove, first available Feb. 13, 2020, Amazon, [online], [site visited Jan. 21, 2021], Available from internet URL: <https://www.amazon.com/Falkon-Outdoor-Rocket-Stove-Lightweight/dp/B084RTBQW2> (Year: 2020).*

Coachef Camping Stove, first available Jul. 7, 2020, Amazon, [online], [site visited Jan. 22, 2021], Available from internet URL: <https://www.amazon.com/Coachef-Assembly-Backpacking-Portable-Electricity/dp/B08CH14FJB> (Year: 2020).*

* cited by examiner

Primary Examiner — Mary Ann Calabrese

Assistant Examiner — Natalya M Rapundalo

(74) *Attorney, Agent, or Firm* — Adrian D. Battison; Ade & Company Inc.; Ryan W. Dupuis

(57) **CLAIM**

The ornamental design for a stove, as shown and described.

DESCRIPTION

FIG. 1 is an isometric view from the front and one side of the stove showing the design.

FIG. 2 is a front elevational view of the stove showing the design.

FIG. 3 is a rear elevational view of the stove showing the design.

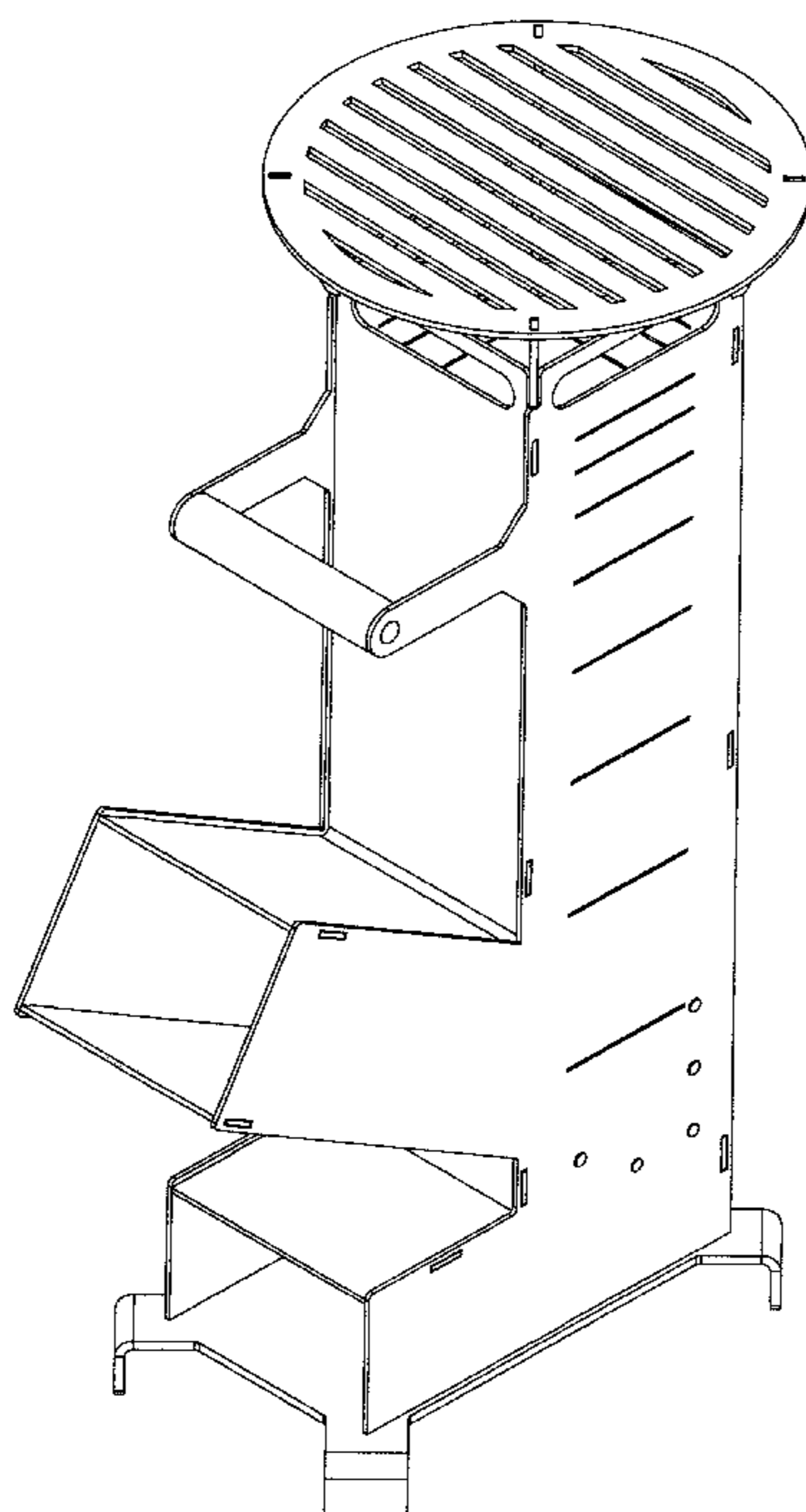
FIG. 4 is a left side elevational view of the stove showing the design.

FIG. 5 is a right side elevational view of the stove showing the design.

FIG. 6 is a top plan view of the stove showing the design; and,

FIG. 7 is a bottom plan view of the stove showing the design.

1 Claim, 7 Drawing Sheets



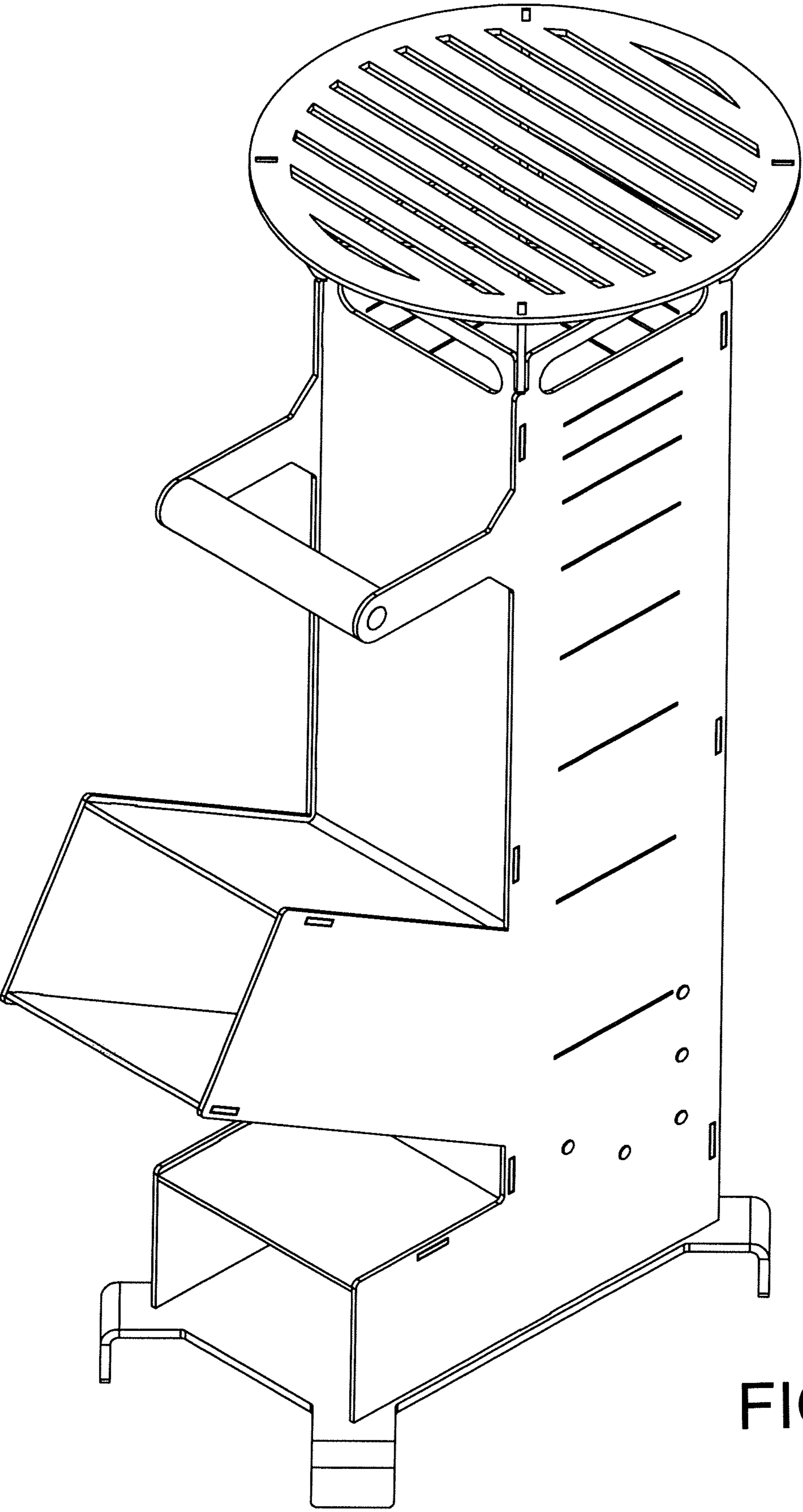


FIG. 1

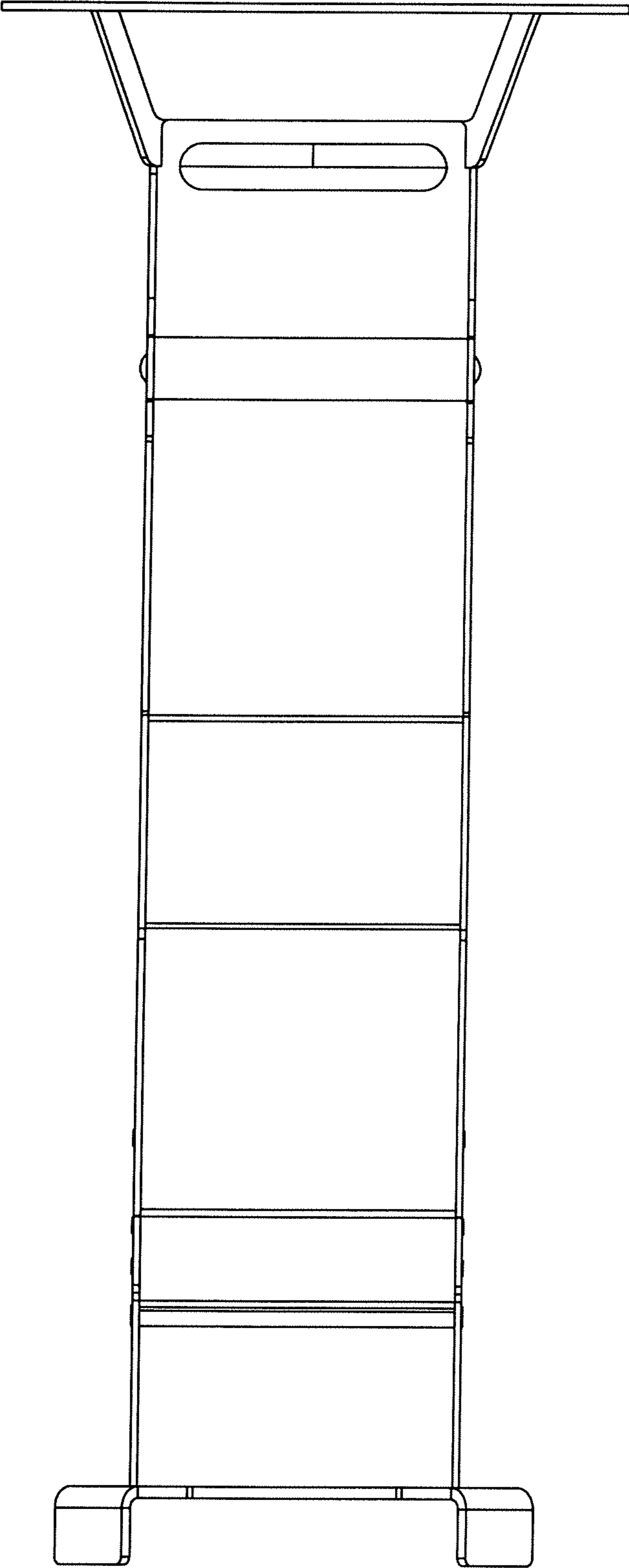


FIG.2

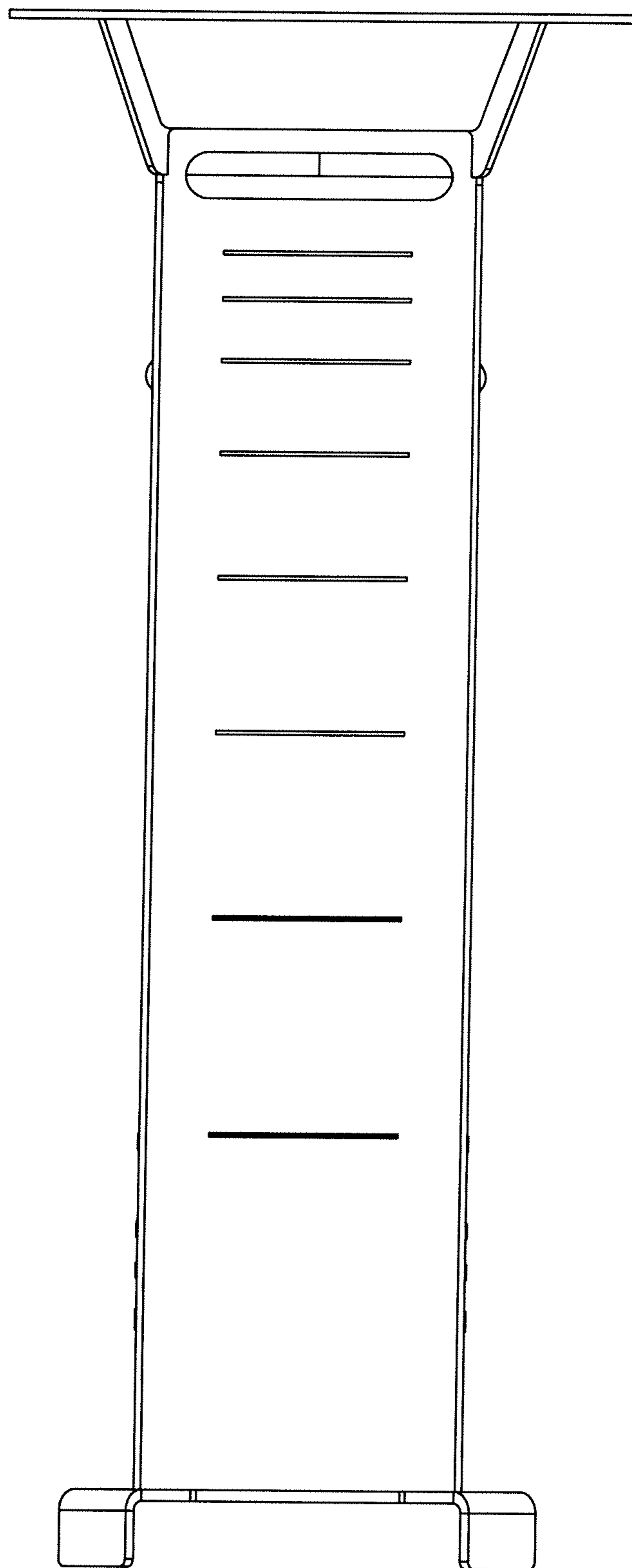


FIG. 3

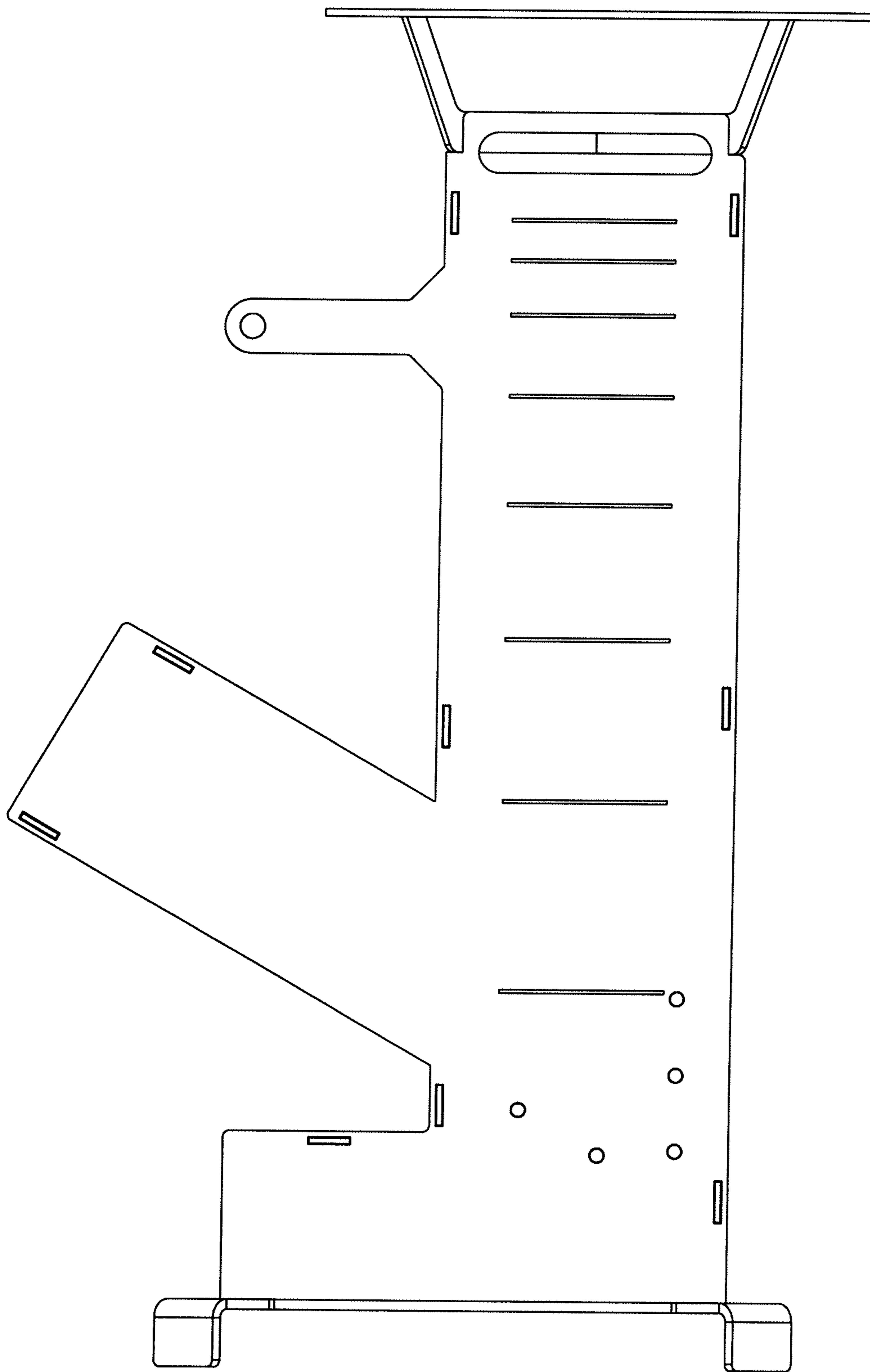


FIG. 4

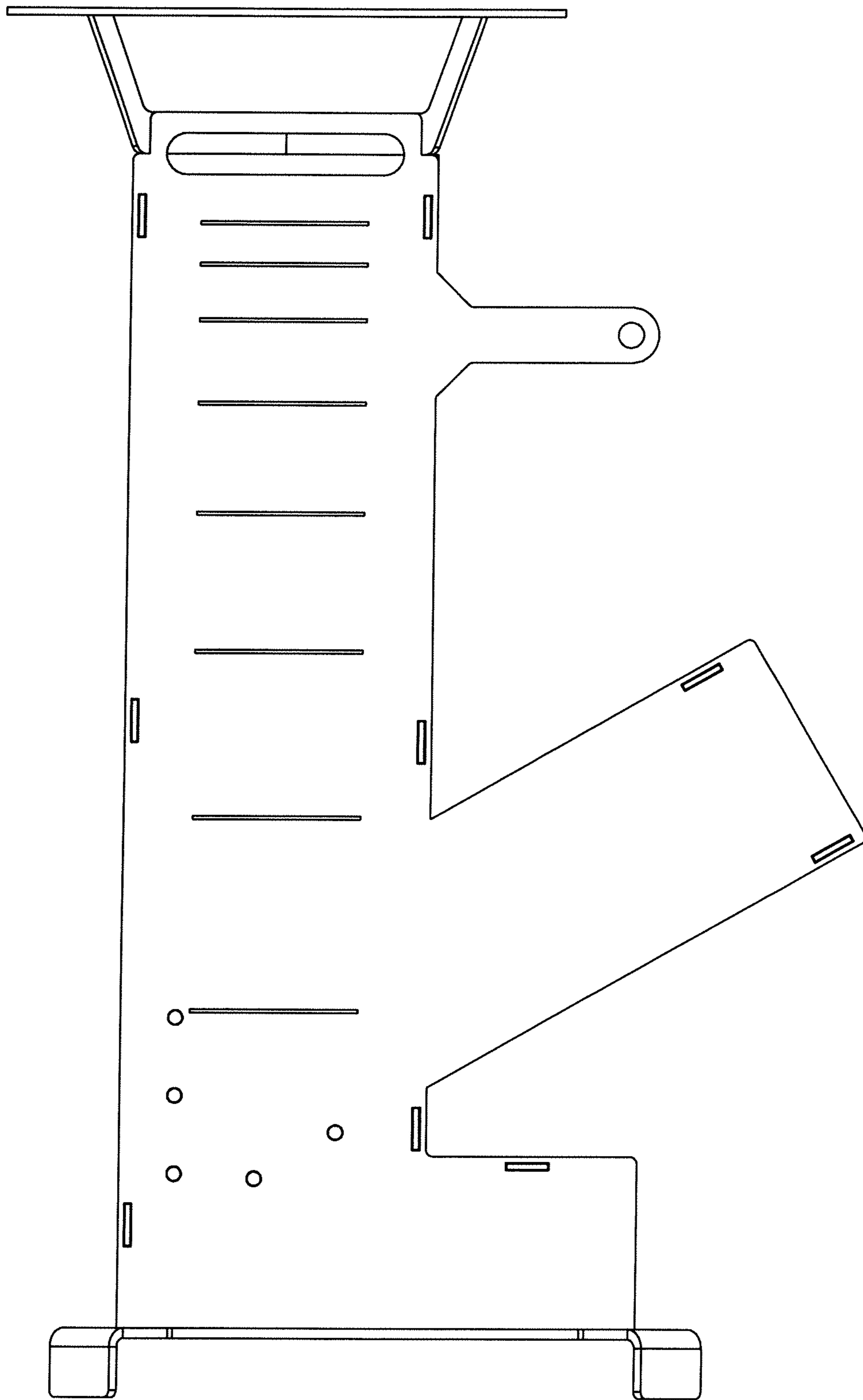


FIG. 5

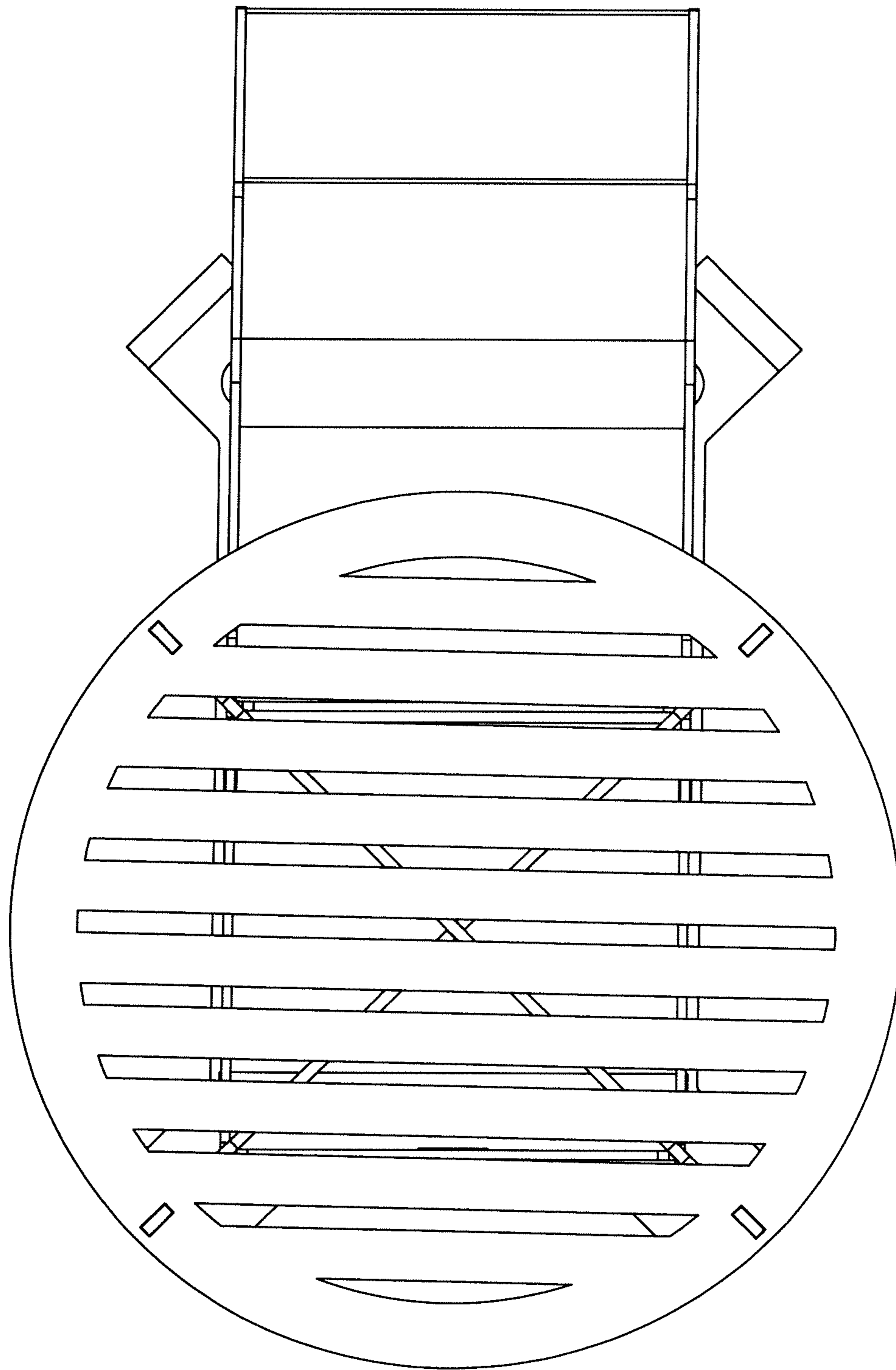


FIG. 6

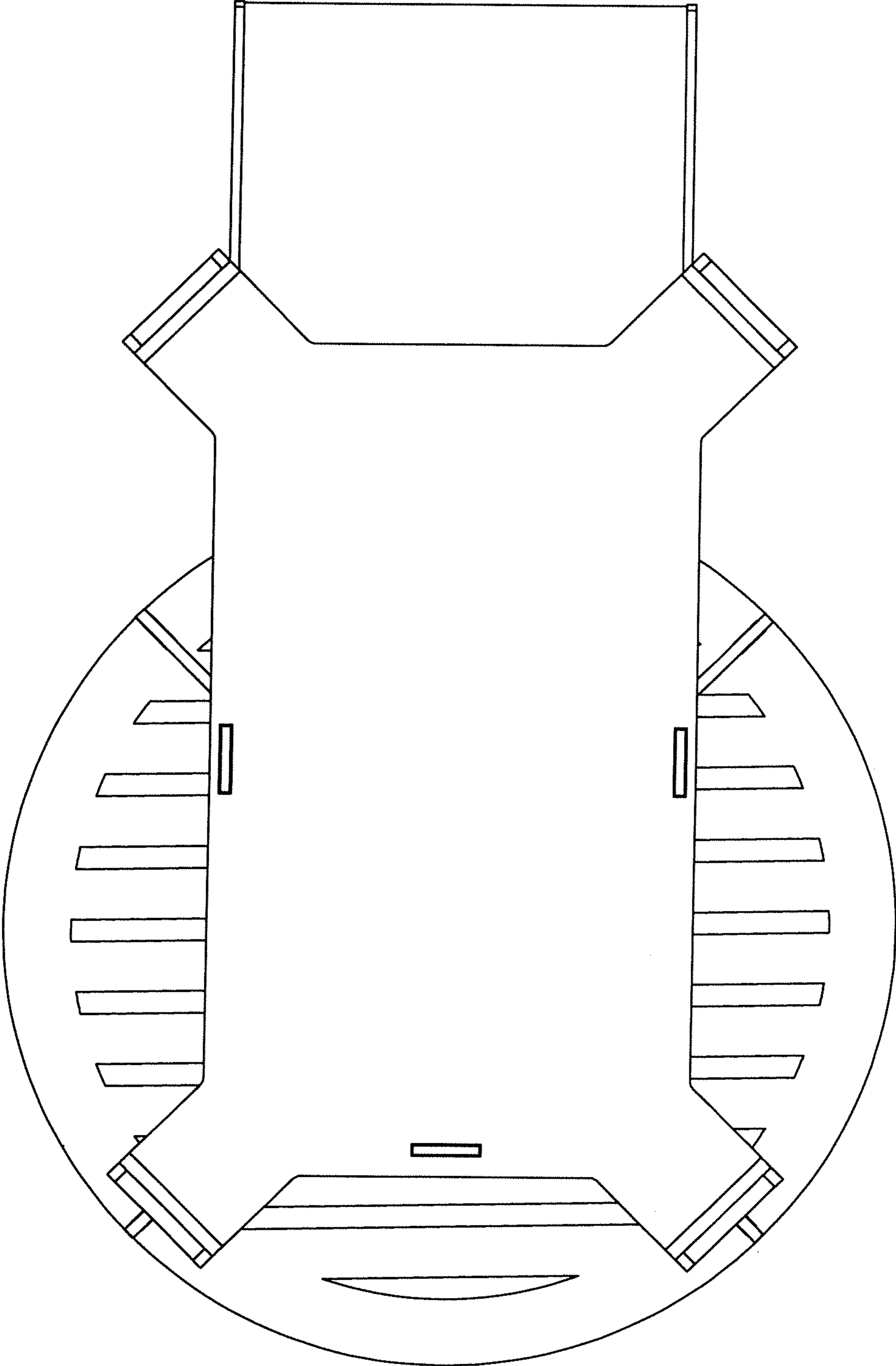


FIG. 7