



US00D917220S

(12) **United States Design Patent** (10) **Patent No.:** **US D917,220 S**
Shin et al. (45) **Date of Patent:** **** Apr. 27, 2021**

- (54) **BEER DISPENSER**
- (71) Applicant: **LG Electronics Inc.**, Seoul (KR)
- (72) Inventors: **Daekee Shin**, Seoul (KR); **Hophil Lee**, Seoul (KR)
- (73) Assignee: **LG ELECTRONICS INC.**, Seoul (KR)
- (**) Term: **15 Years**
- (21) Appl. No.: **29/684,019**
- (22) Filed: **Mar. 18, 2019**

D207,526 S	4/1967	Martin	
D218,191 S	7/1970	Tevolitz	
D382,437 S	8/1997	Amiel	
D423,862 S	5/2000	Mravlja	
D452,106 S	12/2001	Seiffert	
D452,794 S	1/2002	Adachi	
D489,214 S	5/2004	Noda	
D566,452 S	4/2008	Wong	
D610,857 S	3/2010	Pateman et al.	
D632,919 S	2/2011	Sang-Ho	
D742,679 S	11/2015	Bartoli	
D760,530 S *	7/2016	Bartoli	D7/309
D761,051 S *	7/2016	Bartoli	D7/309
D781,633 S *	3/2017	Cahen	D7/306
D793,791 S *	8/2017	McDonald	D7/313
D800,487 S *	10/2017	Chawla	D7/306
D812,952 S *	3/2018	Fedorak	D7/306
D816,383 S *	5/2018	Liang	D7/310

(Continued)

Related U.S. Application Data

- (63) Continuation of application No. 29/669,592, filed on Nov. 9, 2018, now Pat. No. Des. 849,465, which is a continuation of application No. 35/504,055, filed on May 26, 2017 (U.S. filing date under 35 U.S.C. 384), and having an international filing date of May 26, 2017, now Pat. No. Des. 843,767.

Primary Examiner — Derrick E Holland
Assistant Examiner — Andrew Kerr

(74) *Attorney, Agent, or Firm* — Birch, Stewart, Kolasch & Birch, LLP

(30) **Foreign Application Priority Data**

Nov. 28, 2016 (KR) 30-2016-0057340

- (51) **LOC (13) Cl.** **07-01**
- (52) **U.S. Cl.**
USPC **D7/306**

- (58) **Field of Classification Search**
USPC D7/300, 306–315, 321, 322, 397, 398, D7/399, 412, 415
CPC A47J 31/40; A47J 31/4485; A47J 31/4489; B67D 1/00; B67D 1/12; B67D 1/0412
See application file for complete search history.

(56) **References Cited**

U.S. PATENT DOCUMENTS

D94,122 S	10/1934	Ehrenreich
D202,327 S	9/1965	Reichow

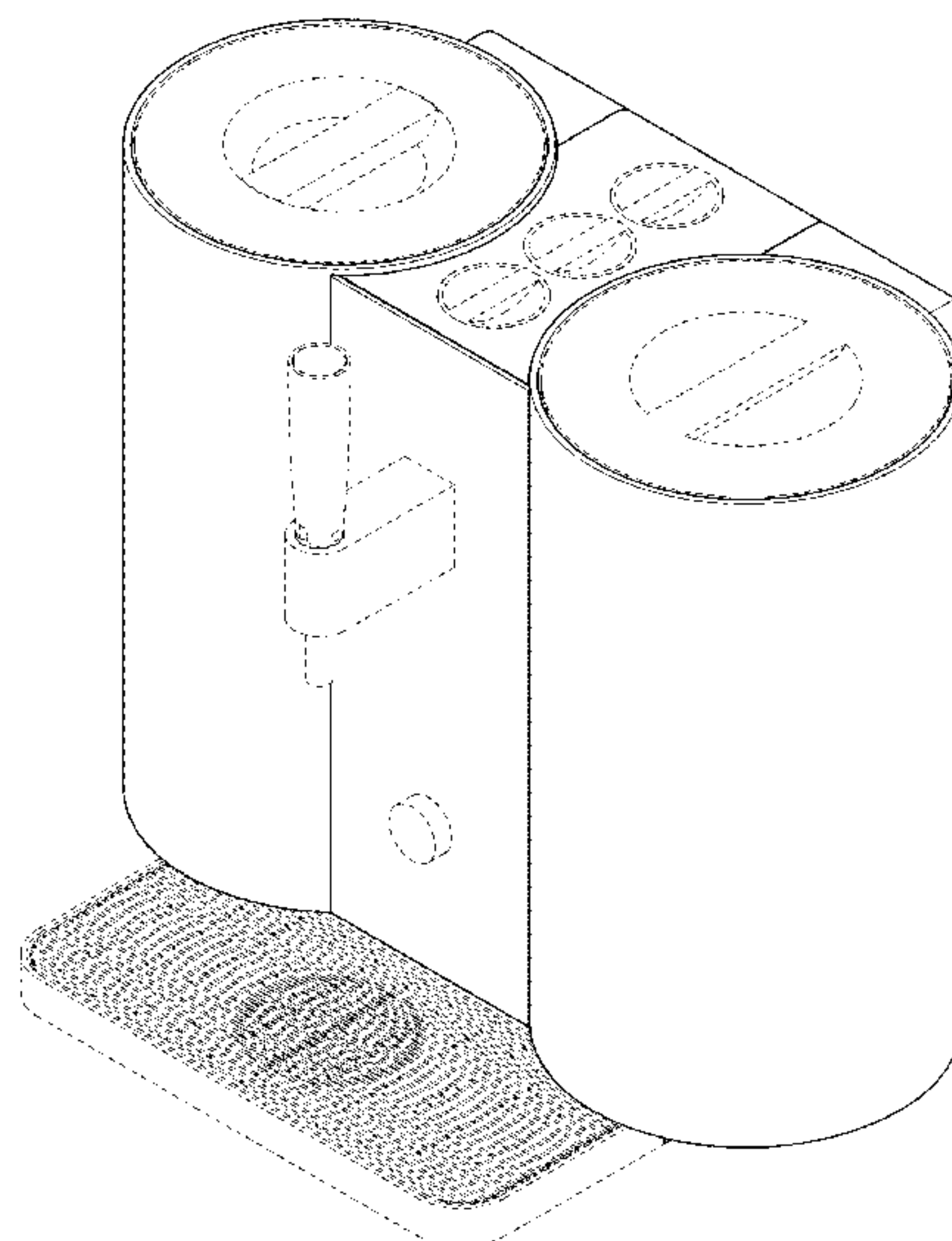
(57) **CLAIM**

The ornamental design for a beer dispenser, as shown and described.

DESCRIPTION

FIG. 1 is a front, right side, perspective view of a beer dispenser showing our new design; FIG. 2 is a front view thereof; FIG. 3 is a rear view thereof; FIG. 4 is a left side view thereof; FIG. 5 is a right side view thereof; FIG. 6 is a top view thereof; and, FIG. 7 is a bottom view thereof. The broken lines shown in the figures depict portions of the beer dispenser that form no part of the claimed design.

1 Claim, 7 Drawing Sheets



(56)

References Cited

U.S. PATENT DOCUMENTS

D824,196	S	7/2018	Shin	
D830,756	S *	10/2018	Cahen	D7/306
D836,371	S *	12/2018	Cahen	D7/306
D843,765	S *	3/2019	Fedorak	D7/306
D849,465	S *	5/2019	Shin	D7/313
D855,370	S *	8/2019	Torgersen	D7/313
D888,485	S *	6/2020	Kim	D7/306
D893,933	S *	8/2020	You	D7/310
2016/0255990	A1 *	9/2016	Bartoli	A47J 31/3628
2018/0371385	A1 *	12/2018	Hong	B67D 1/0016

* cited by examiner

FIG. 1

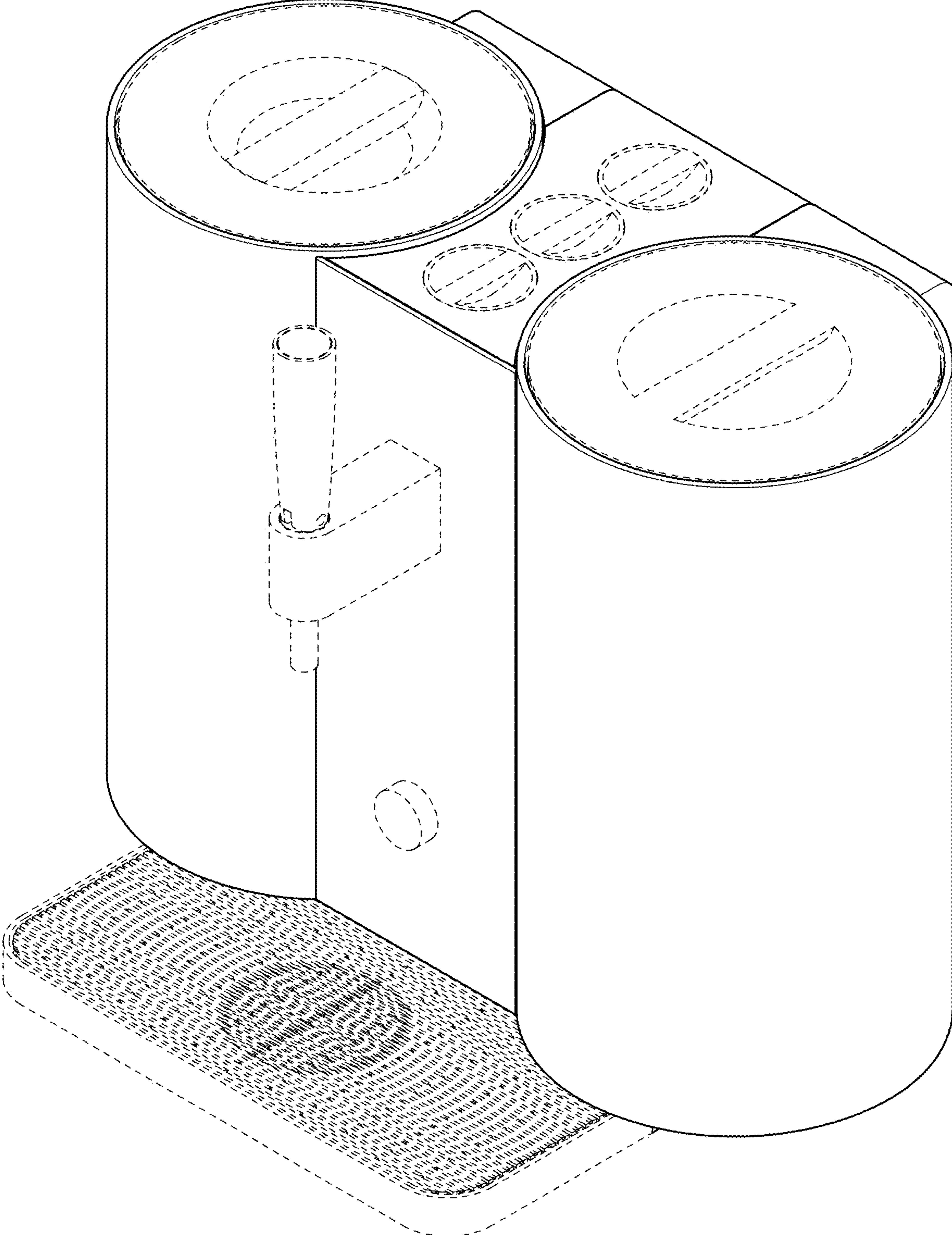


FIG. 2

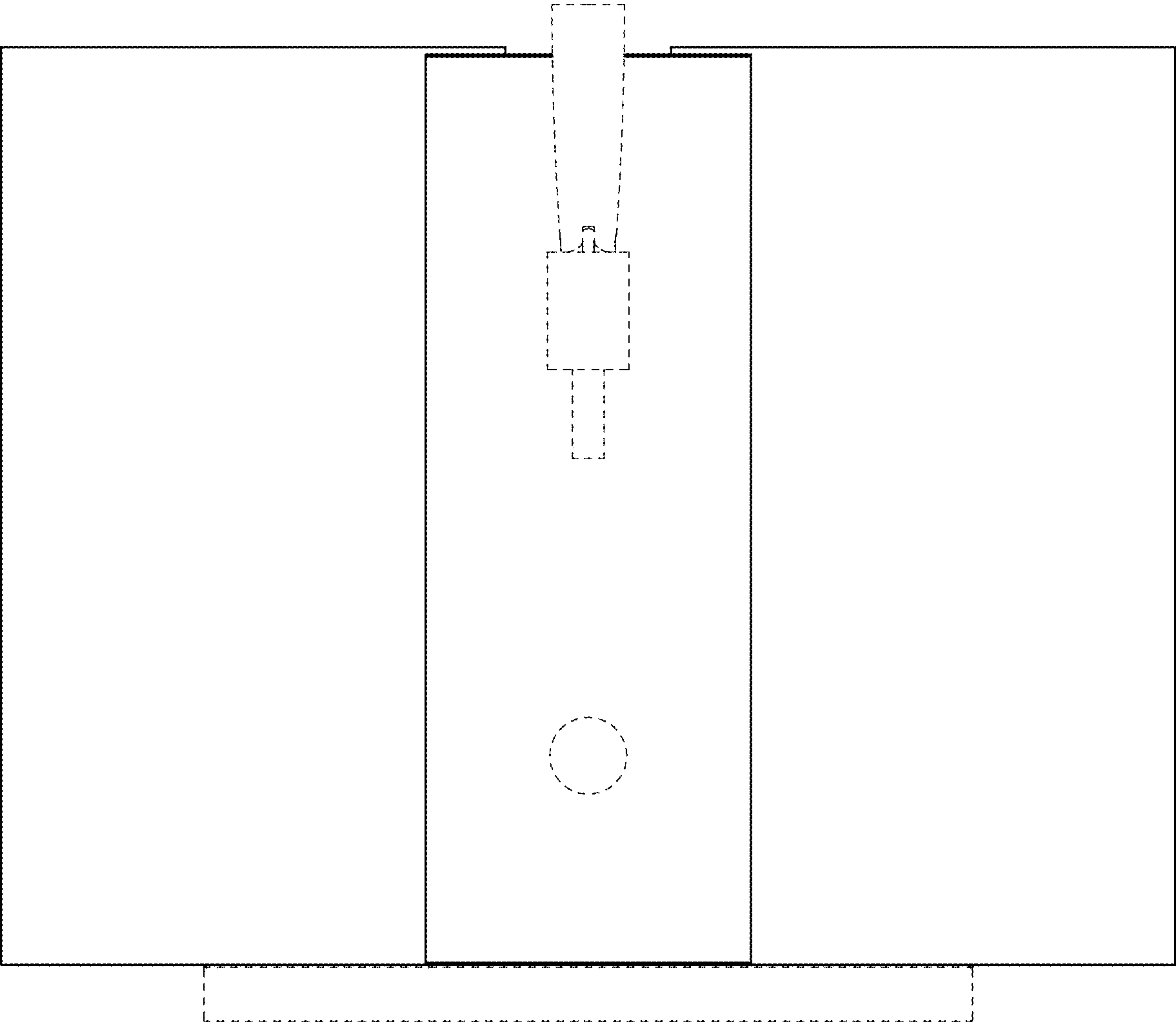


FIG. 3

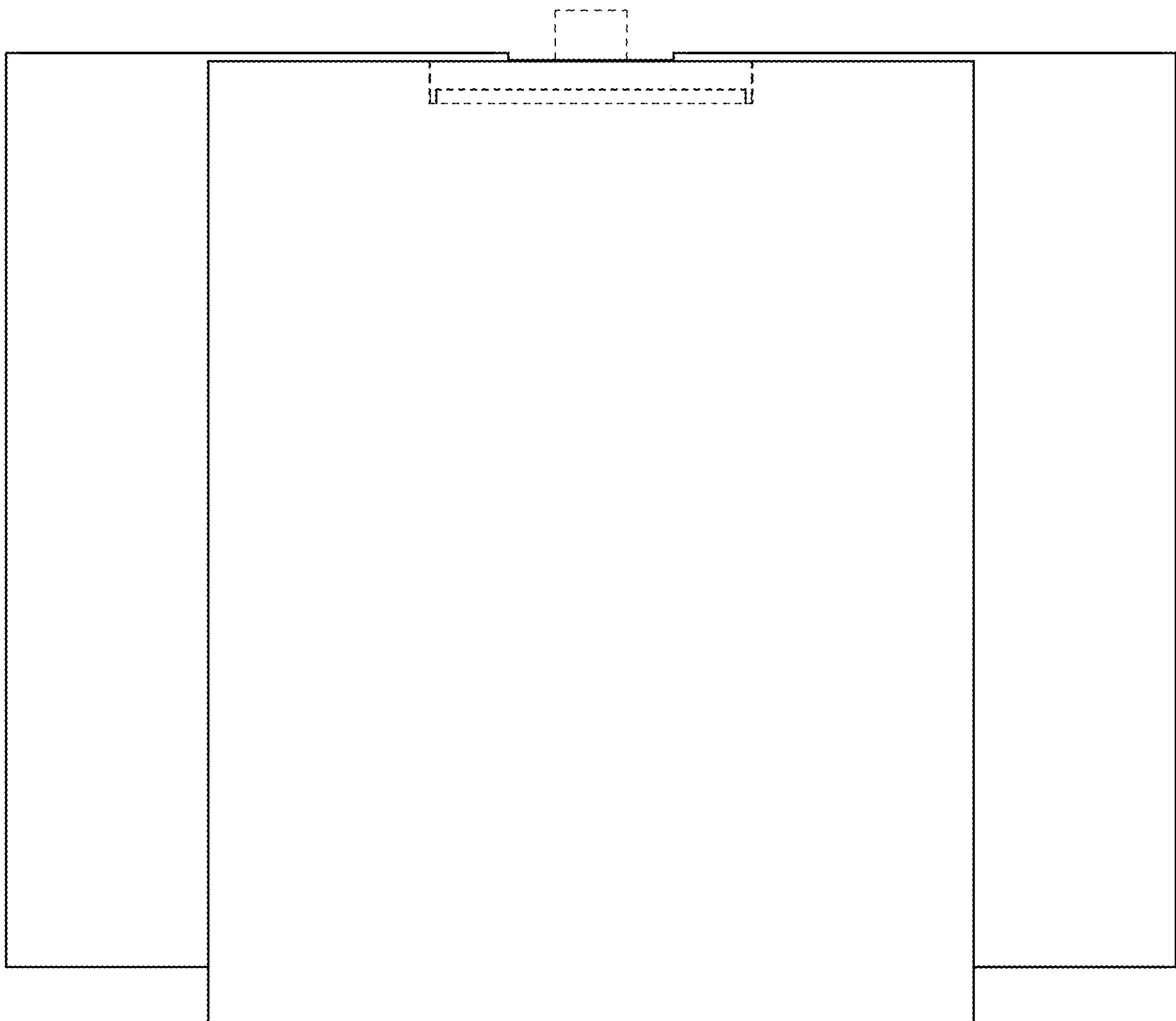


FIG. 4

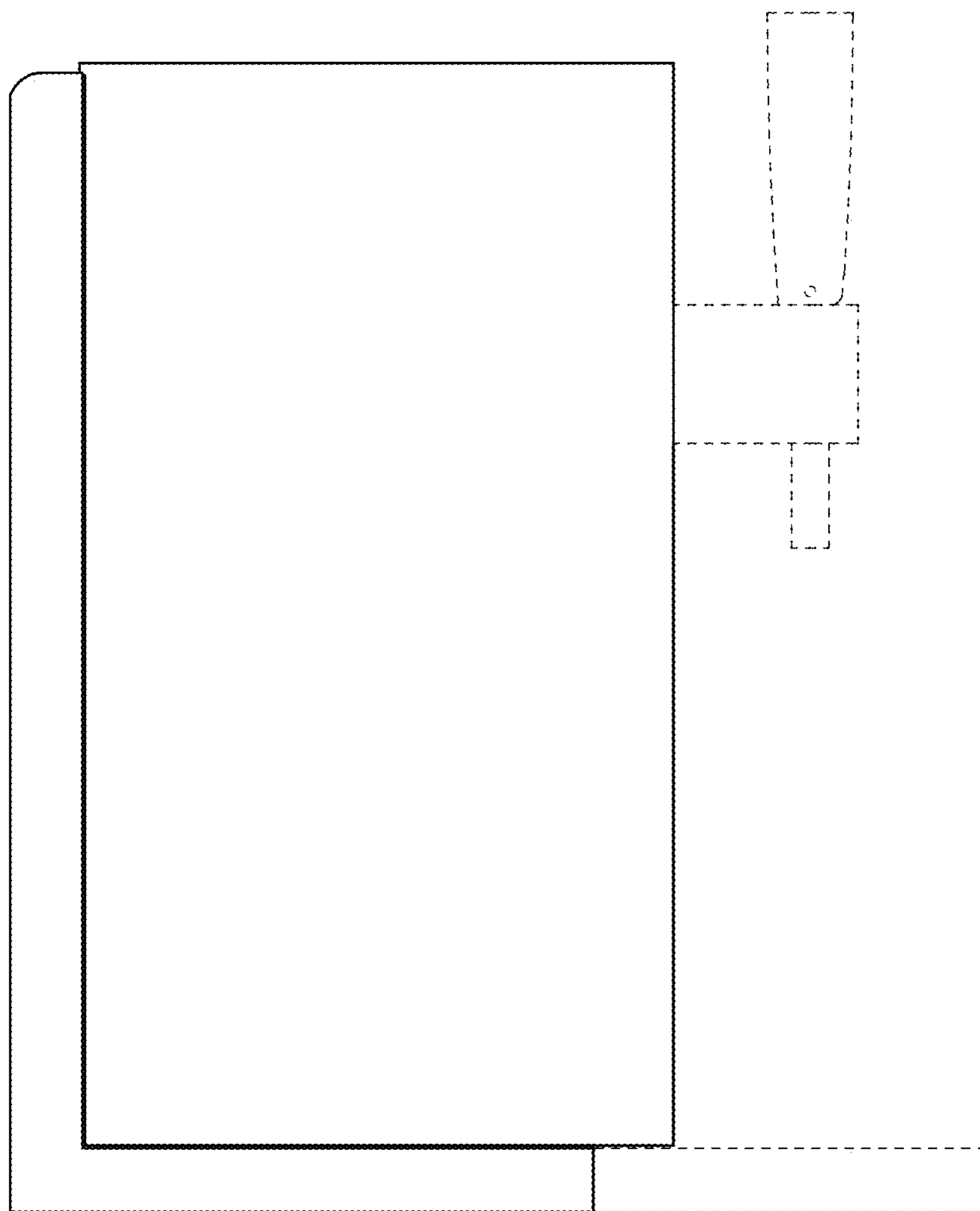


FIG. 5

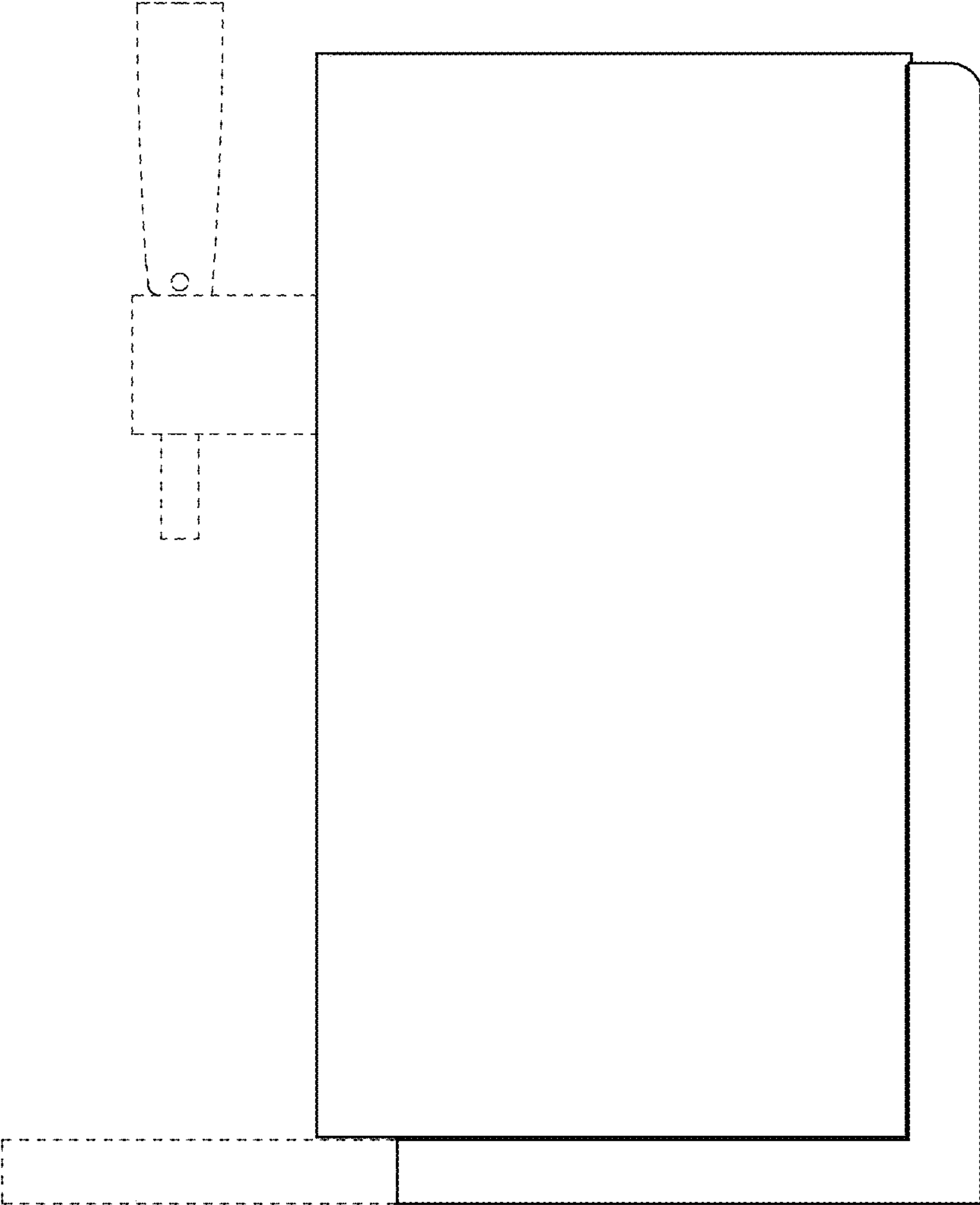


FIG. 6

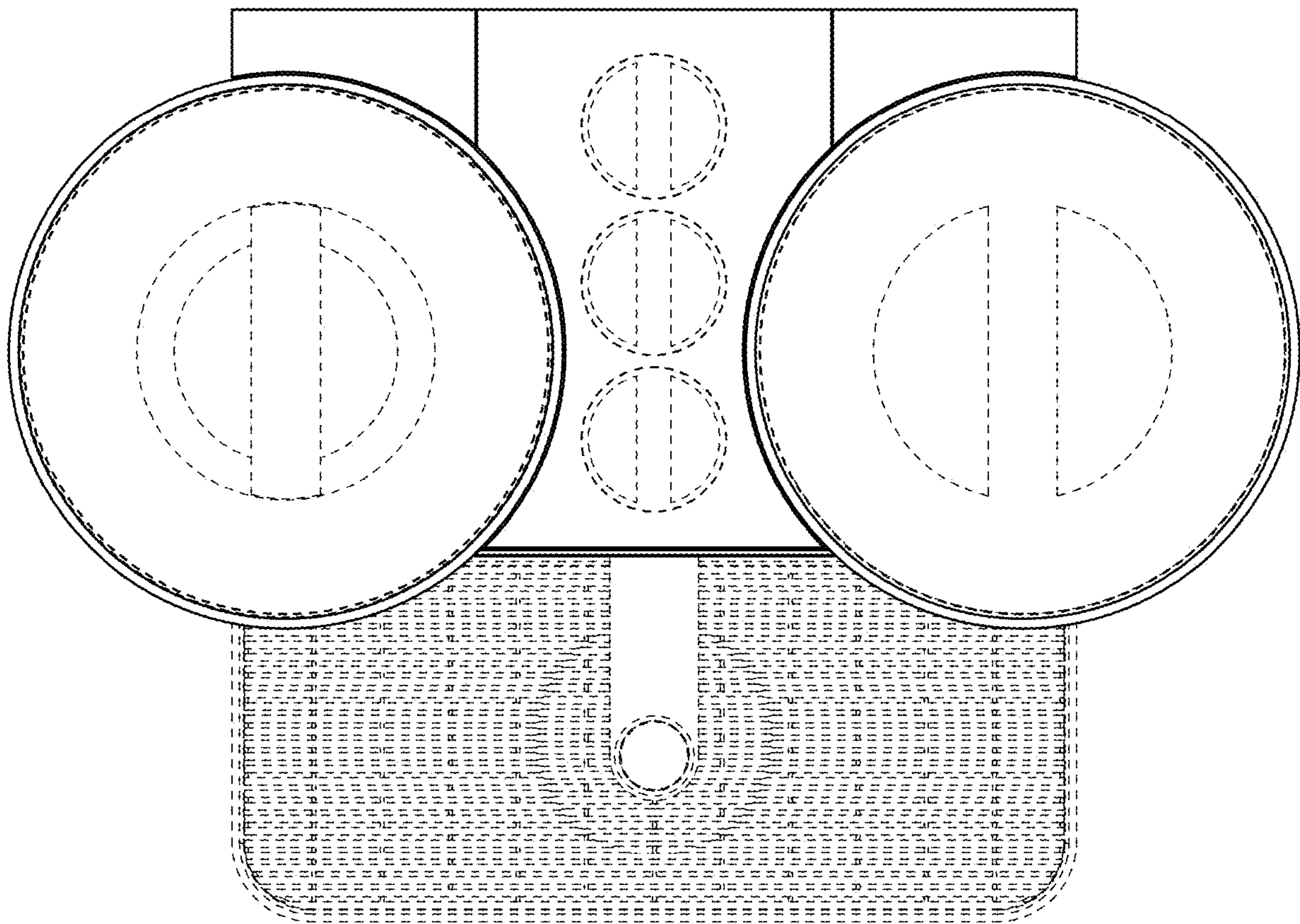


FIG. 7

