



US00D917219S

(12) **United States Design Patent**
Shin et al.

(10) **Patent No.:** **US D917,219 S**
(45) **Date of Patent:** **** Apr. 27, 2021**

- (54) **BEER DISPENSER**
- (71) Applicant: **LG Electronics Inc.**, Seoul (KR)
- (72) Inventors: **Daekee Shin**, Seoul (KR); **Hophil Lee**, Seoul (KR)
- (73) Assignee: **LG Electronics Inc.**, Seoul (KR)
- (**) Term: **15 Years**
- (21) Appl. No.: **29/684,015**
- (22) Filed: **Mar. 18, 2019**

D207,526 S	4/1967	Martin	
D218,191 S	7/1970	Tevolitz	
D382,437 S	8/1997	Amiel	
D423,862 S	5/2000	Mravlja	
D452,106 S	12/2001	Seiffert	
D452,794 S	1/2002	Adachi	
D489,214 S	5/2004	Noda	
D566,452 S	4/2008	Wong	
D610,857 S	3/2010	Pateman et al.	
D632,919 S	2/2011	Sang-Ho	
D742,679 S	11/2015	Bartoli	
D760,530 S *	7/2016	Bartoli	D7/309
D761,051 S *	7/2016	Bartoli	D7/309
D781,633 S *	3/2017	Cahen	D7/306
D793,791 S *	8/2017	McDonald	D7/313
D800,487 S *	10/2017	Chawla	D7/306
D812,952 S *	3/2018	Fedorak	D7/306
D816,383 S *	5/2018	Liang	D7/310
D824,196 S	7/2018	Shin	

Related U.S. Application Data

- (63) Continuation of application No. 29/669,592, filed on Nov. 9, 2018, now Pat. No. Des. 849,465, which is a continuation of application No. 35/504,055, filed on May 26, 2017 (U.S. filing date under 35 U.S.C. 384), and having an international filing date of May 26, 2017, now Pat. No. Des. 843,767.

Foreign Application Priority Data

- (30) Nov. 28, 2016 (KR) 30-2016-0057340

(51) **LOC (13) Cl.** **07-01**

(52) **U.S. Cl.**
USPC **D7/306**

(58) **Field of Classification Search**
USPC D7/300, 306-315, 321, 322, 397, 398, D7/399, 412, 415
CPC A47J 31/40; A47J 31/4485; A47J 31/4489; B67D 1/00; B67D 1/12; B67D 1/0412
See application file for complete search history.

References Cited

U.S. PATENT DOCUMENTS

- D94,122 S 10/1934 Ehrenreich
- D202,327 S 9/1965 Reichow

(Continued)

Primary Examiner — Derrick E Holland

Assistant Examiner — Andrew Kerr

(74) *Attorney, Agent, or Firm* — Birch, Stewart, Kolasch & Birch, LLP

(57) **CLAIM**

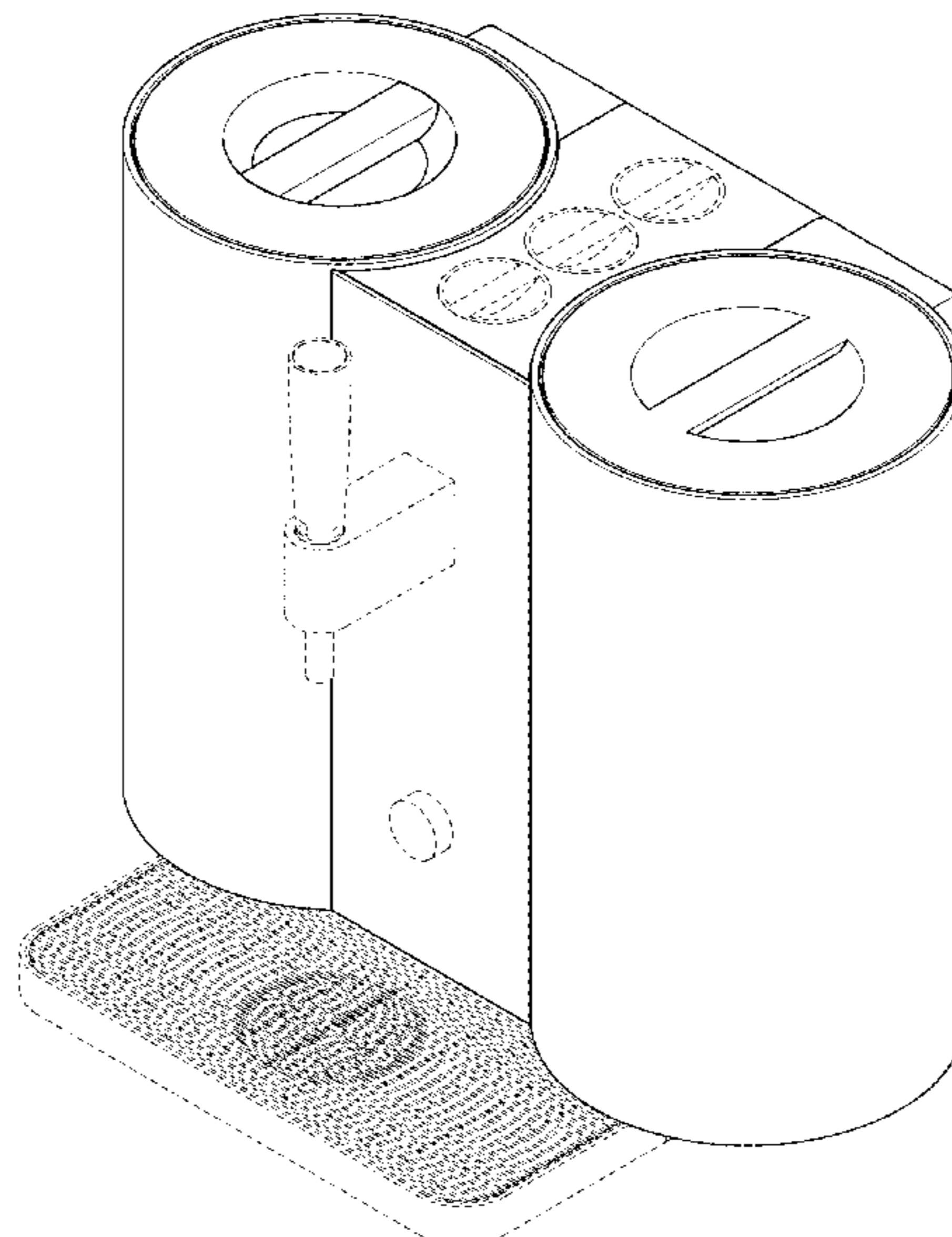
The ornamental design for a beer dispenser, as shown and described.

DESCRIPTION

FIG. 1 is a front, right side, perspective view of a beer dispenser showing our new design; FIG. 2 is a front view thereof; FIG. 3 is a rear view thereof; FIG. 4 is a left side view thereof; FIG. 5 is a right side view thereof; FIG. 6 is a top view thereof; and, FIG. 7 is a bottom view thereof.

The broken lines shown in the figures depict portions of the beer dispenser that form no part of the claimed design.

1 Claim, 7 Drawing Sheets



(56)

References Cited

U.S. PATENT DOCUMENTS

D830,756 S * 10/2018 Cahen D7/306
D836,371 S * 12/2018 Cahen D7/306
D843,765 S * 3/2019 Fedorak D7/306
D849,465 S * 5/2019 Shin D7/313
D855,370 S * 8/2019 Torgersen D7/313
D888,485 S * 6/2020 Kim D7/306
D893,933 S * 8/2020 You D7/310
2016/0255990 A1 * 9/2016 Bartoli A47J 31/3628
2018/0371385 A1 * 12/2018 Hong B67D 1/0016

* cited by examiner

FIG. 1

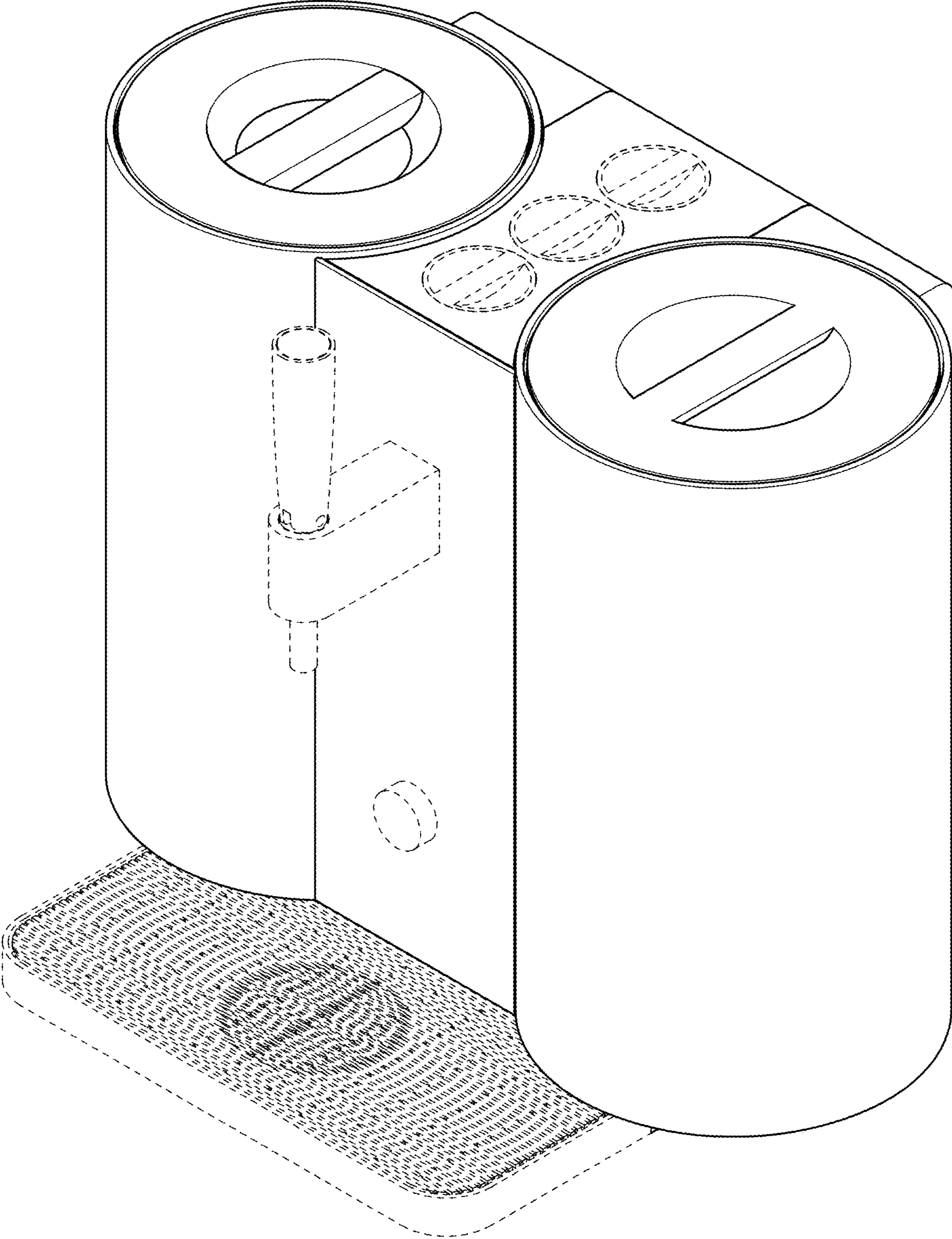


FIG. 2

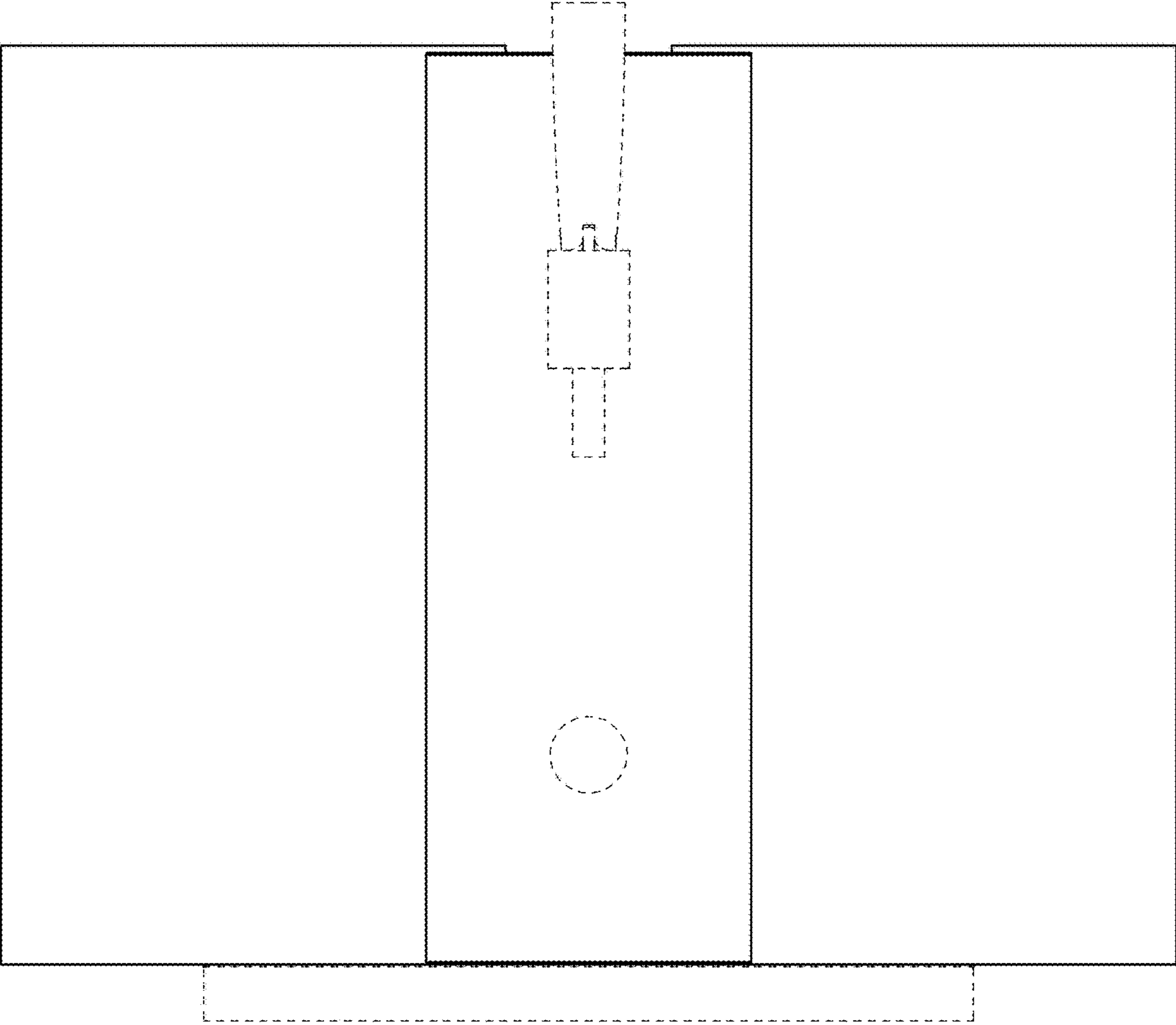


FIG. 3

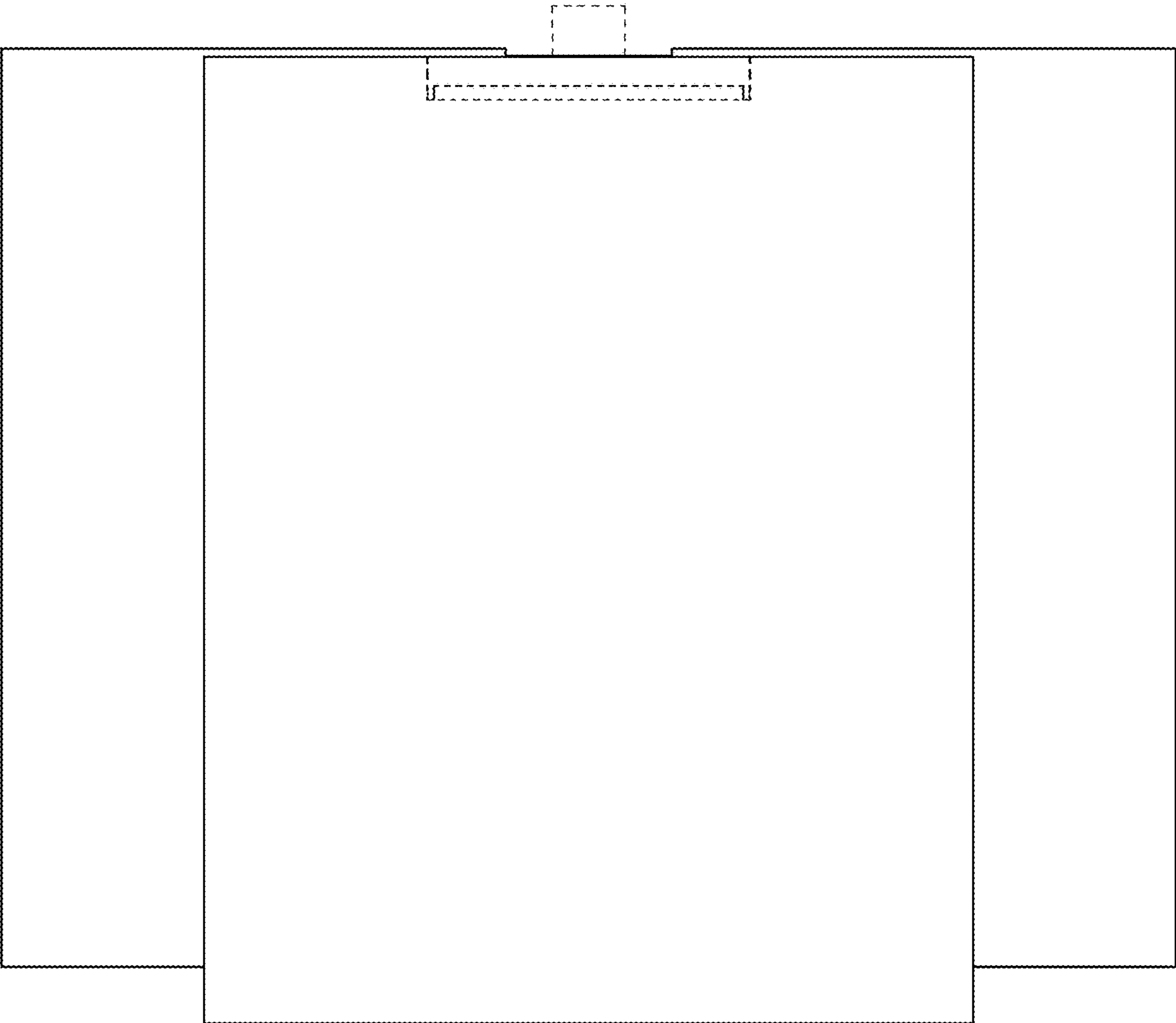


FIG. 4

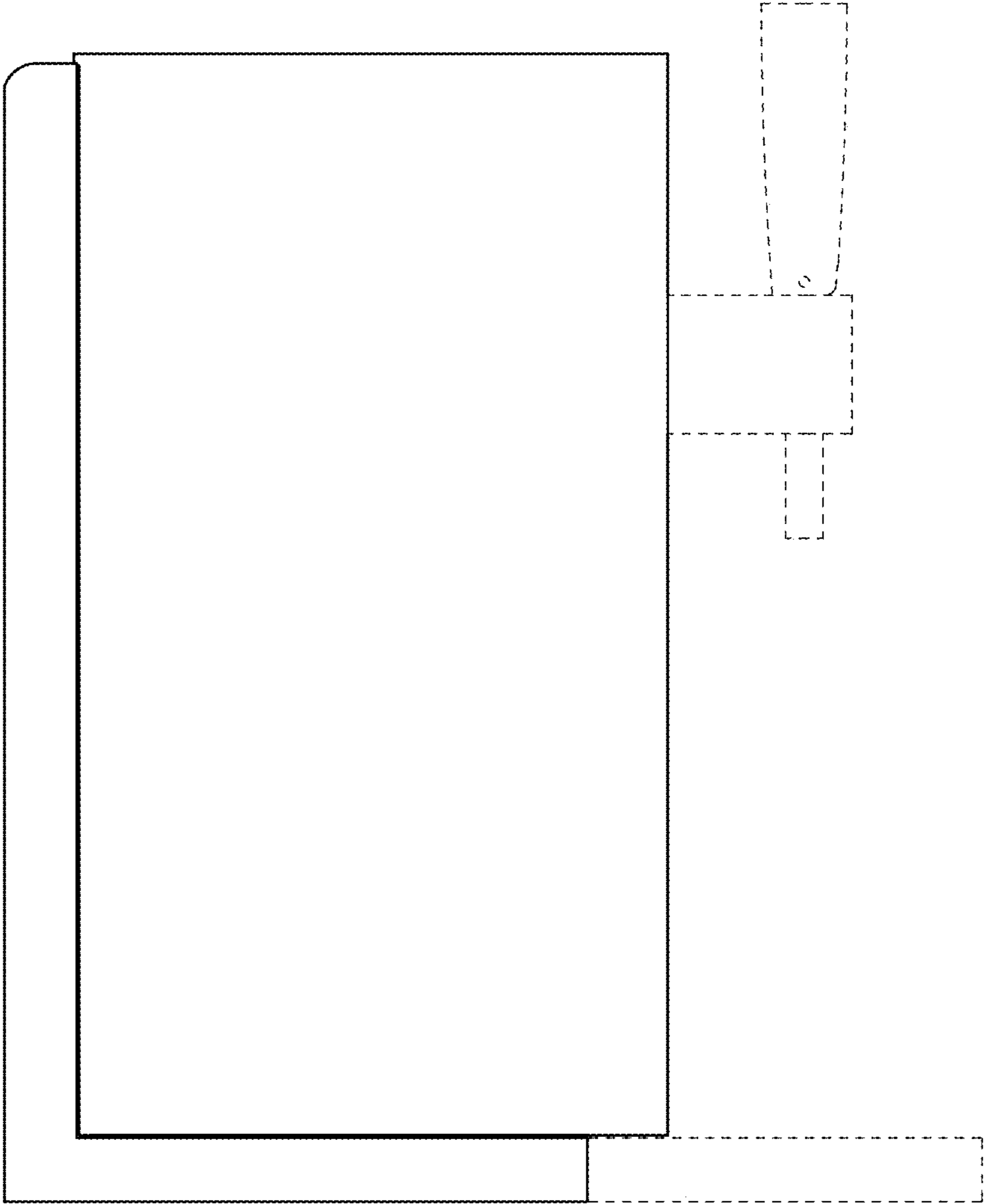


FIG. 5

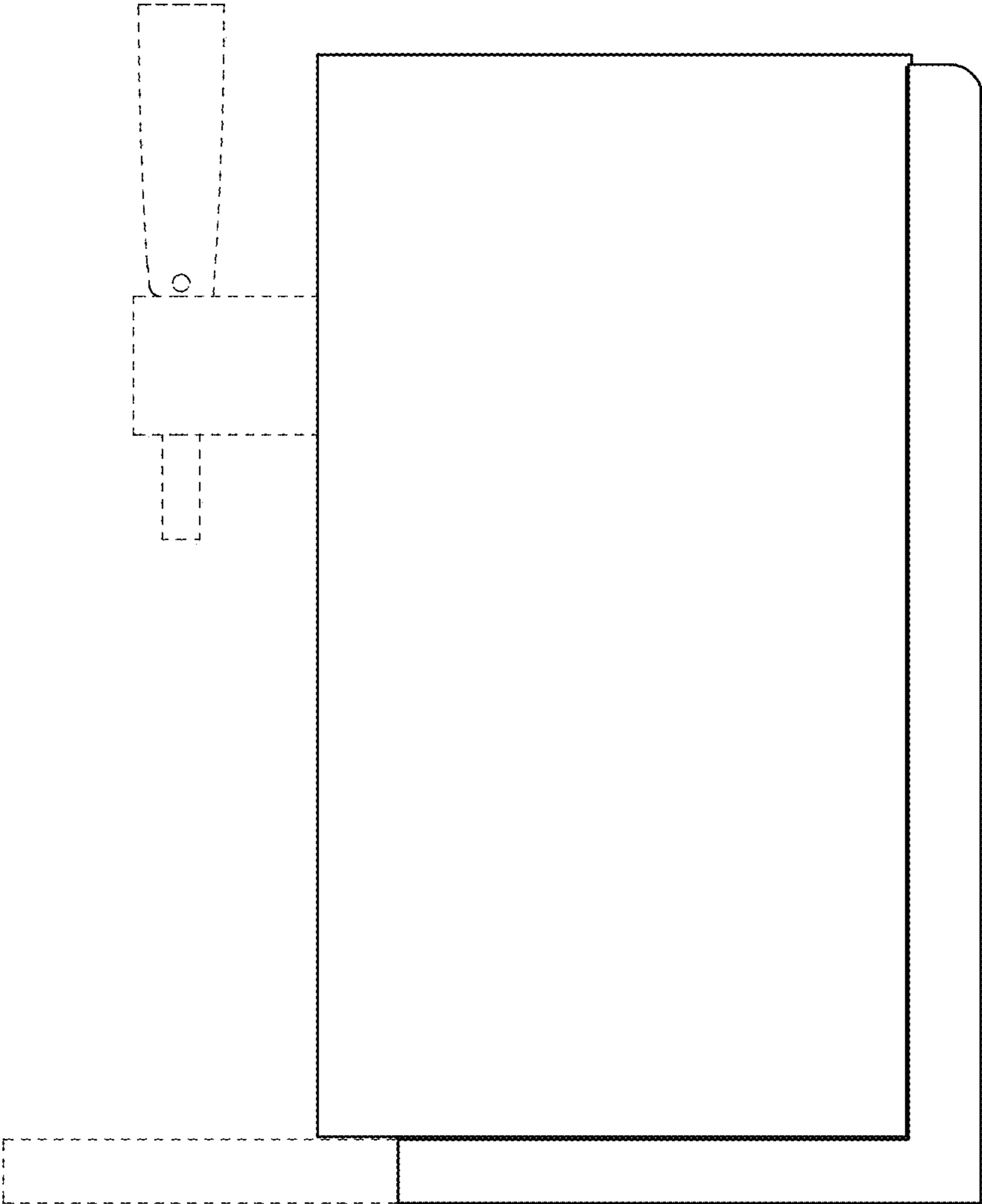


FIG. 6

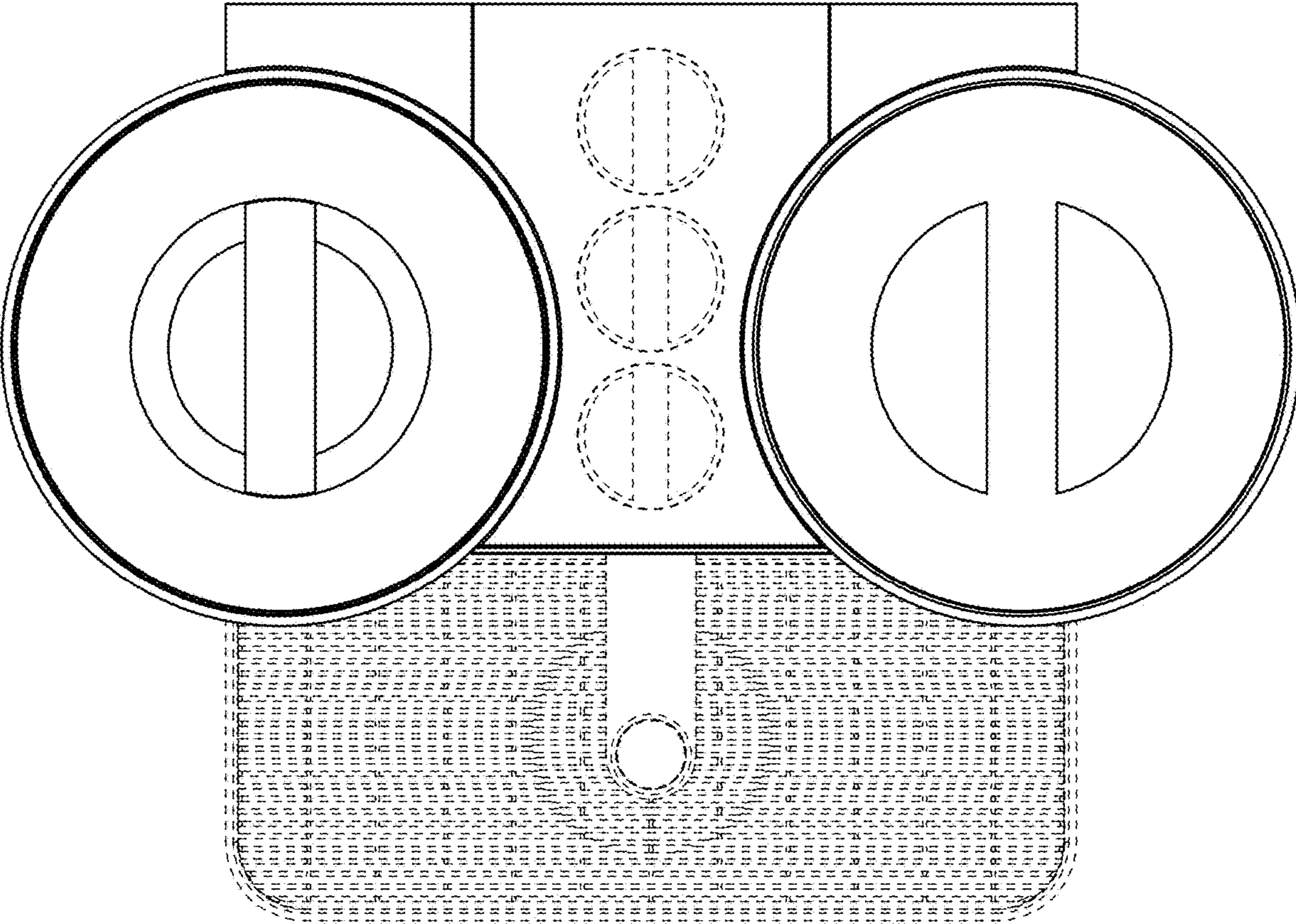


FIG. 7

