



US00D917218S

(12) **United States Design Patent**  
**Tsai**

(10) **Patent No.:** **US D917,218 S**  
(45) **Date of Patent:** **\*\* Apr. 27, 2021**

(54) **CHAIR BACK FRAME**  
(71) Applicant: **ZHONGSHAN SHI SONGLIN FURNITURE CO., LTD.**, Zhongshan (CN)  
(72) Inventor: **Hsuan-Chin Tsai, Chai-Yi Hsien** (TW)  
(73) Assignee: **ZHONGSHAN SHI SONGLIN FURNITURE CO., LTD.**, Zhongshan (CN)

D687,660 S \* 8/2013 Hsuan-Chin ..... D6/716.4  
D714,069 S \* 9/2014 Cvek ..... D6/366  
D745,300 S \* 12/2015 Cvek ..... D6/716  
D772,592 S \* 11/2016 Su ..... D6/366  
D780,499 S \* 3/2017 Tsai ..... D6/716.4  
D793,142 S \* 8/2017 Tsai ..... D6/716.4  
D793,143 S \* 8/2017 Tsai ..... D6/716.4  
D818,294 S \* 5/2018 Tsai ..... D6/716.4  
D839,035 S \* 1/2019 Tsai ..... D6/716.4  
D875,453 S \* 2/2020 Ma ..... D6/716  
10,827,841 B1 \* 11/2020 Tsai ..... A47C 7/402  
2017/0027328 A1 \* 2/2017 Su ..... A47C 7/402

(\*\*) Term: **15 Years**  
(21) Appl. No.: **29/721,408**  
(22) Filed: **Jan. 21, 2020**  
(51) **LOC (13) Cl.** ..... **06-06**  
(52) **U.S. Cl.**  
USPC ..... **D6/716.4**  
(58) **Field of Classification Search**  
USPC ..... D6/334, 349, 357, 364, 365, 366, 367,  
D6/368, 369, 374, 375, 379, 381, 708.16,  
D6/716.1, 716.4, 716.7  
CPC .... A47C 3/12; A47C 3/18; A47C 3/20; A47C  
3/26; A47C 5/02; A47C 5/10; A47C 7/24;  
A47C 7/36; A47C 7/46; A47C 7/18;  
A47C 7/40; A47C 1/03255; A47C 4/42;  
A47C 4/44; A47C 11/00; A47C 11/05  
See application file for complete search history.

**FOREIGN PATENT DOCUMENTS**

CA 2895942 A1 \* 9/2008 ..... A47C 1/03261  
\* cited by examiner

*Primary Examiner* — R. Johnson  
(74) *Attorney, Agent, or Firm* — Alan D. Kamrath; Karin L. Williams; Mayer & Williams PC

(57) **CLAIM**

The ornamental design for a chair back frame, as shown and described.

**DESCRIPTION**

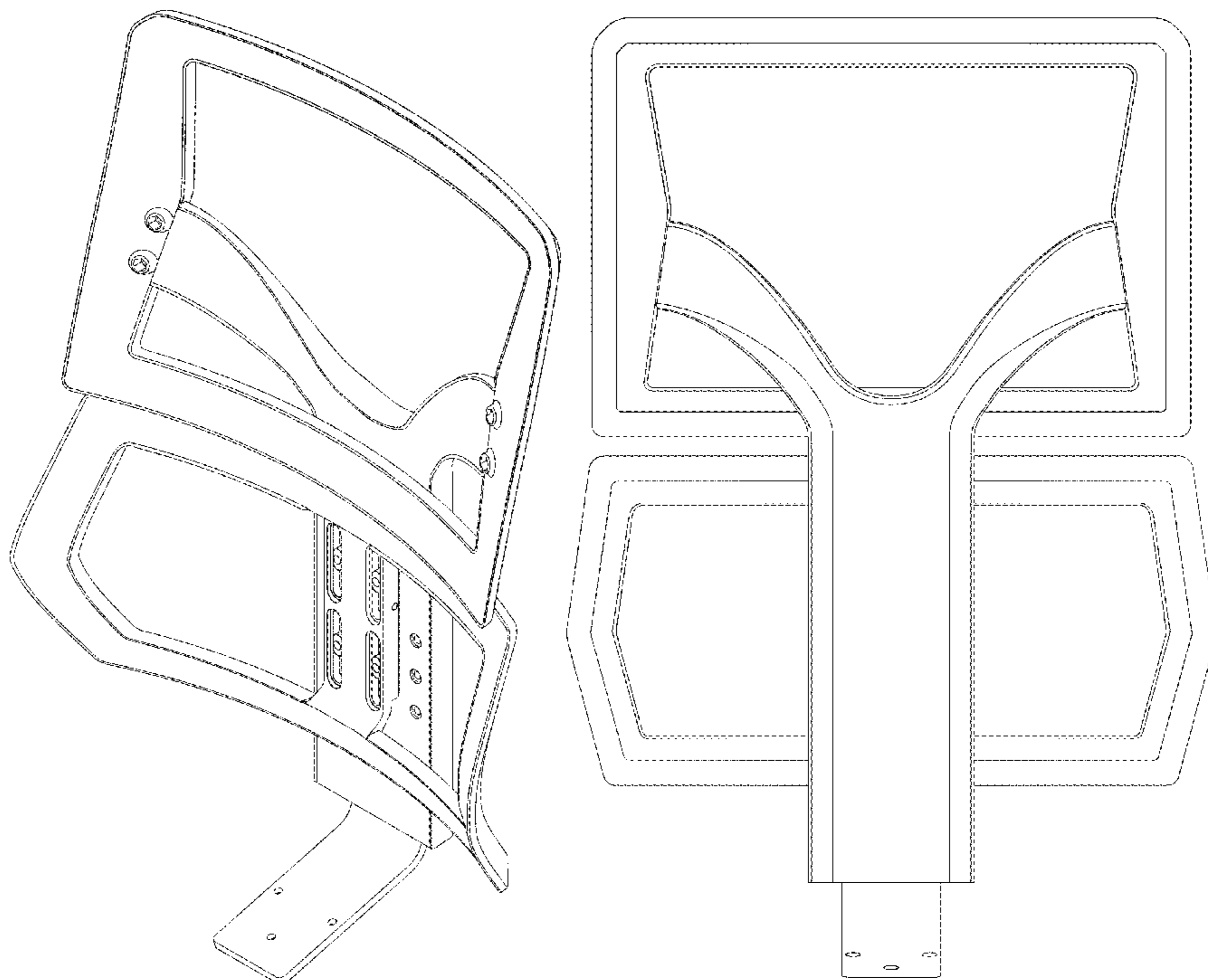
FIG. 1 is a perspective view of a chair back frame showing my new design;  
FIG. 2 is a front elevational view thereof;  
FIG. 3 is a rear elevational view thereof;  
FIG. 4 is a left side view thereof;  
FIG. 5 is a right side view thereof;  
FIG. 6 is a top plan view thereof; and,  
FIG. 7 is a bottom plan view thereof.

(56) **References Cited**

**U.S. PATENT DOCUMENTS**

D540,578 S \* 4/2007 Chen ..... D6/366  
D645,683 S \* 9/2011 Chen ..... D6/716.4

**1 Claim, 5 Drawing Sheets**



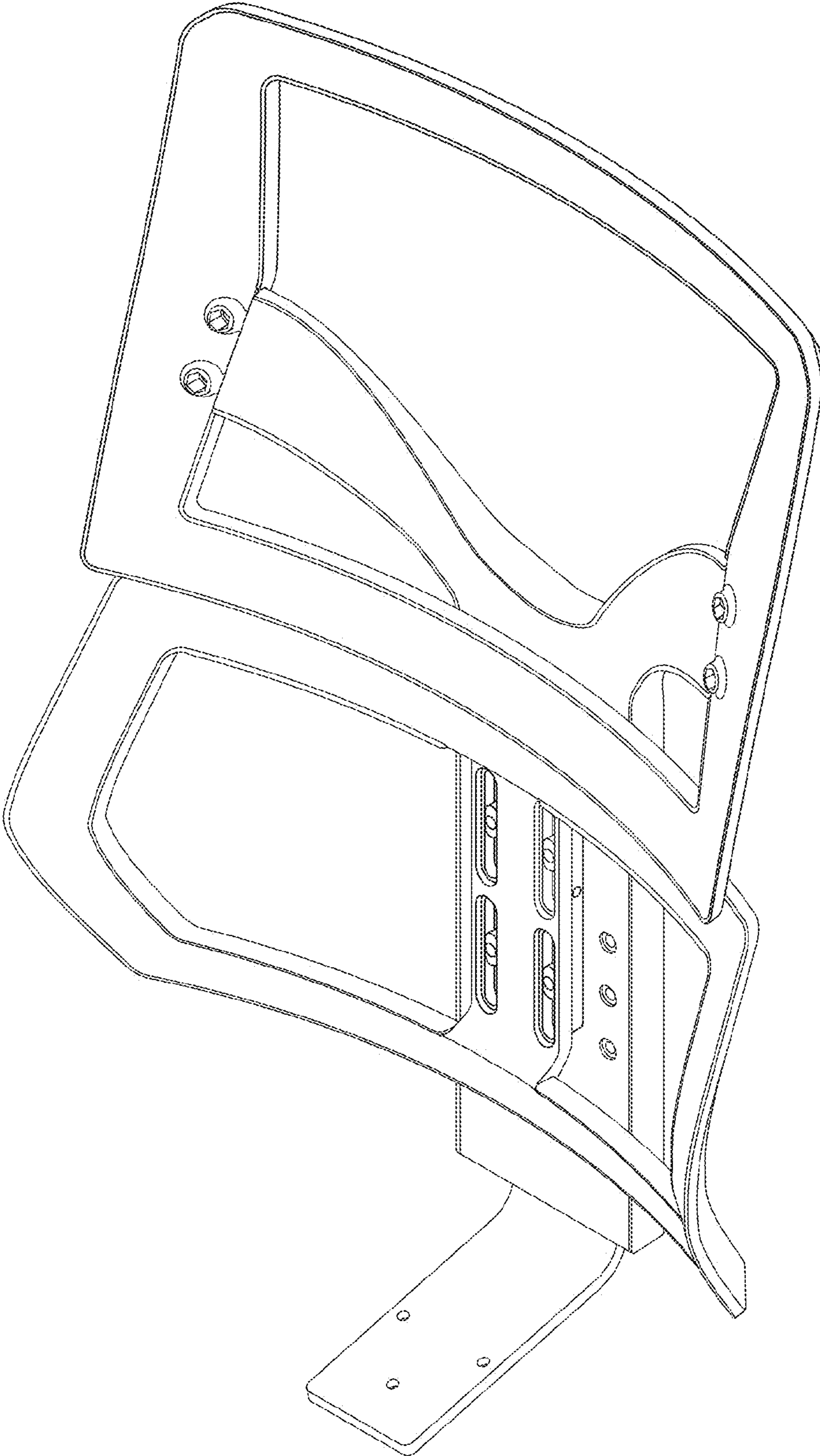


FIG. 1

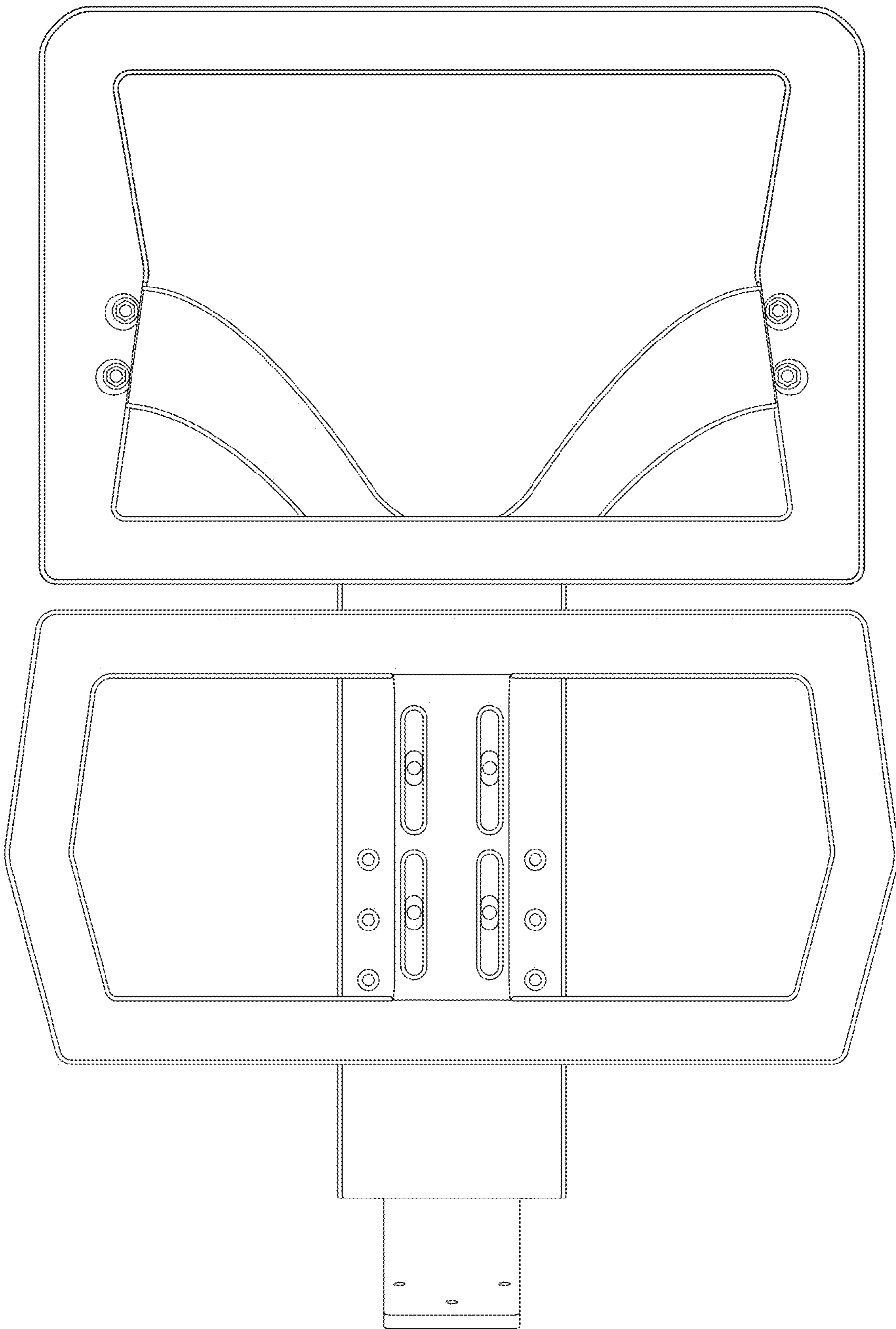


FIG. 2

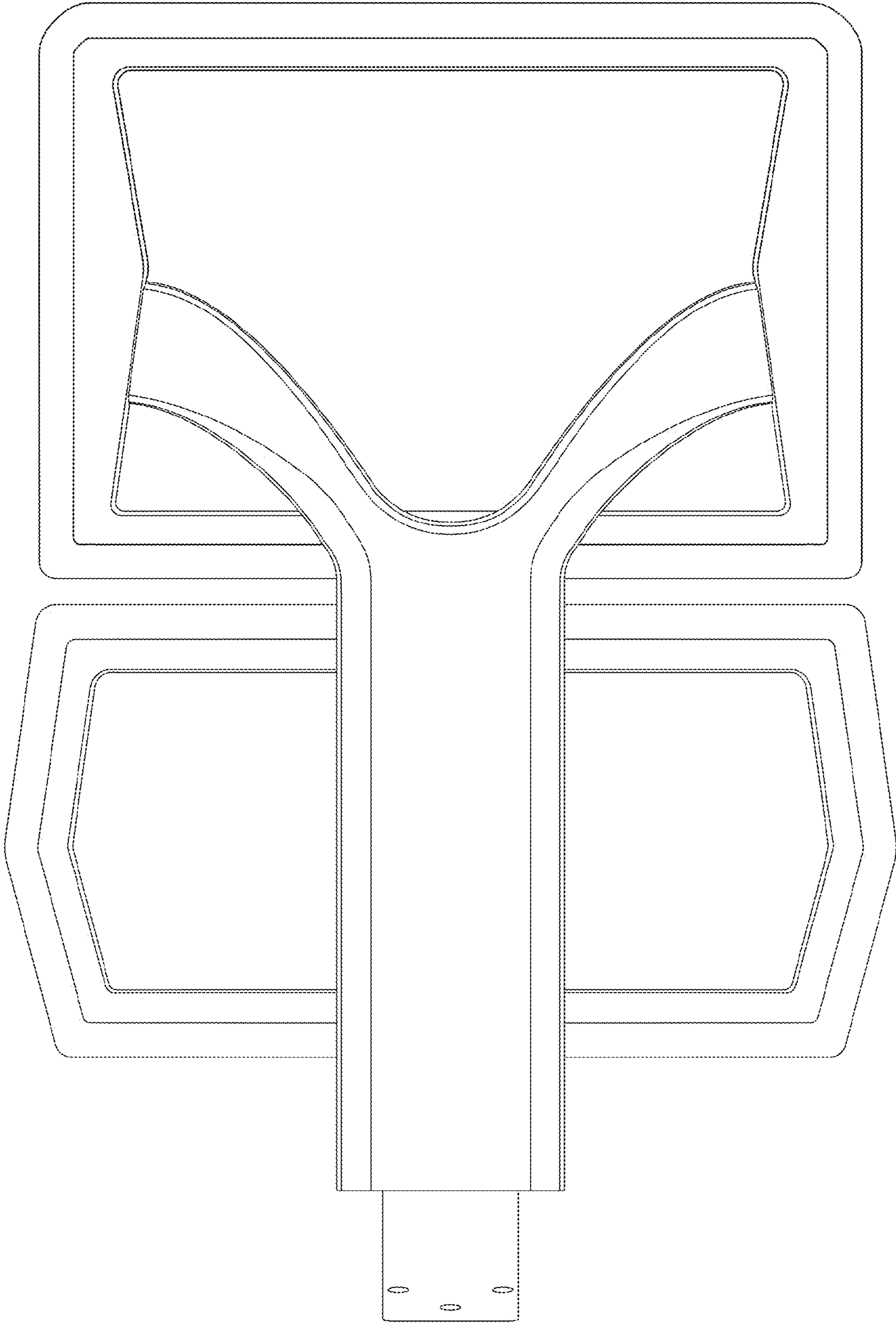


FIG. 3

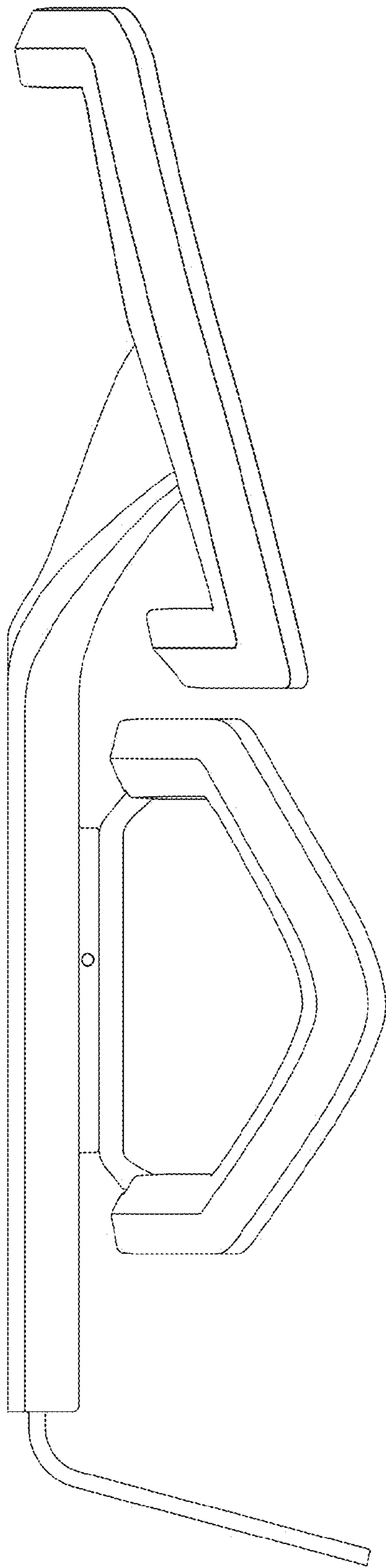


FIG. 4

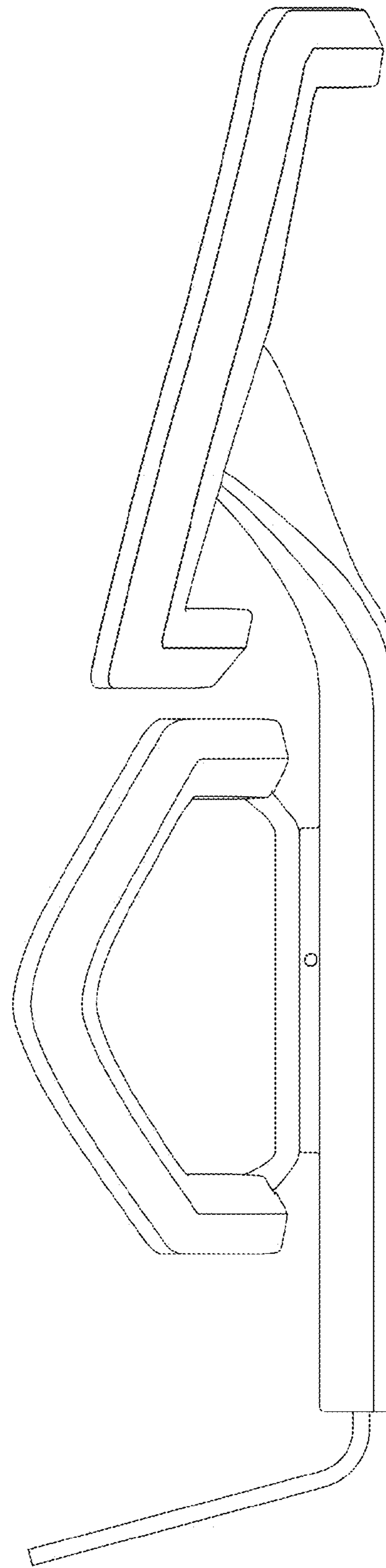


FIG. 5

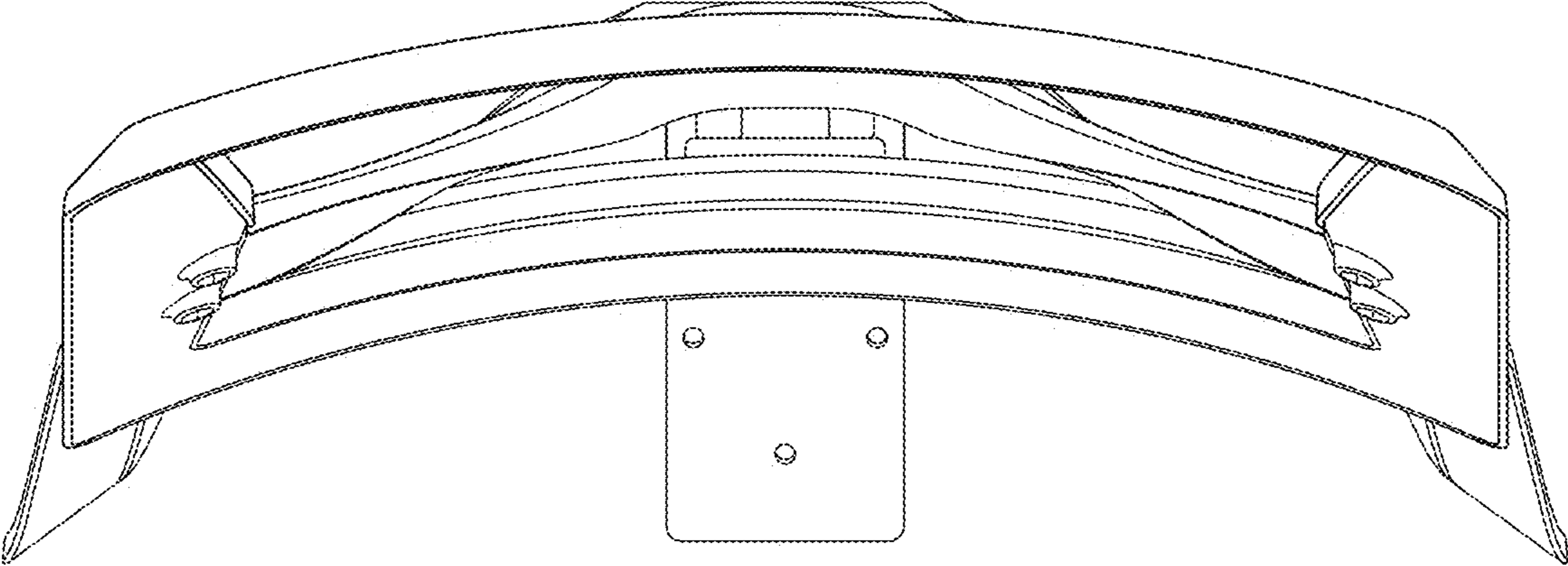


FIG. 6

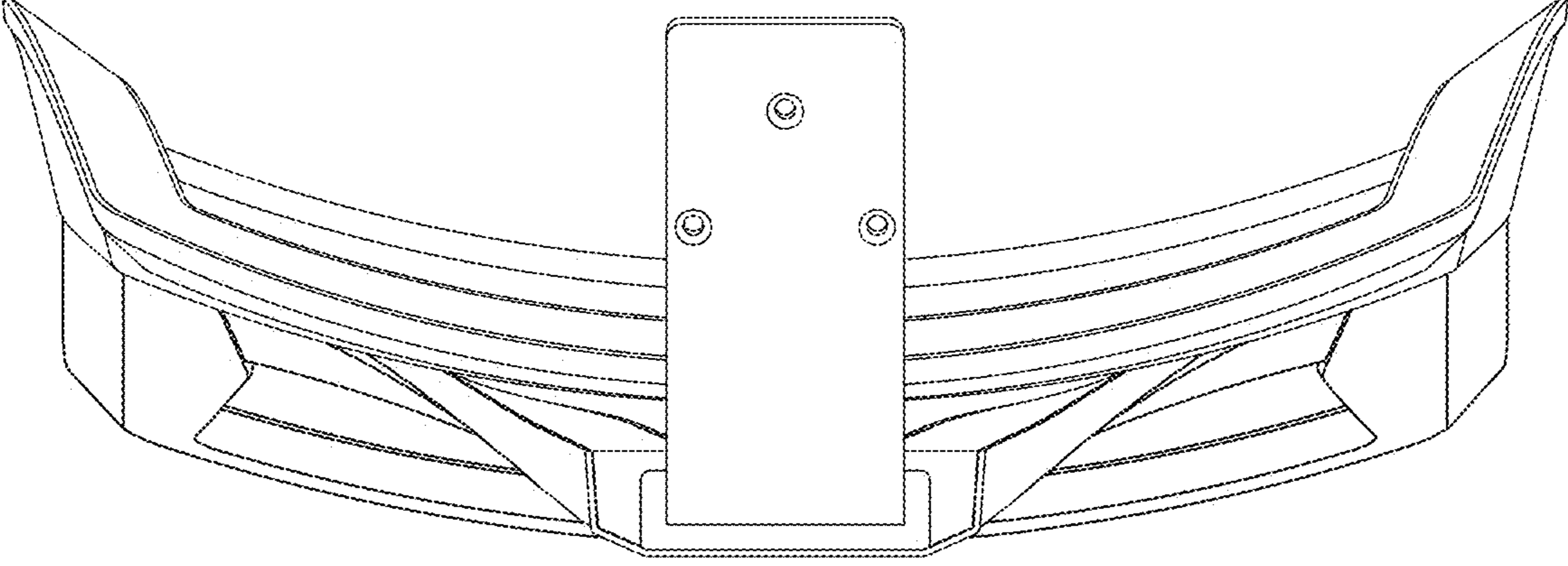


FIG. 7