



US00D917217S

(12) **United States Design Patent**
Tsai

(10) **Patent No.:** **US D917,217 S**
(45) **Date of Patent:** **** Apr. 27, 2021**

(54) **CHAIR BACK FRAME**
(71) Applicant: **ZHONGSHAN SHI SONGLIN FURNITURE CO., LTD**, Zhongshan (CN)
(72) Inventor: **Hsuan-Chin Tsai**, Chai-Yi Hsien (TW)
(73) Assignee: **ZHONGSHAN SHI SONGLIN FURNITURE CO., LTD.**, Zhongshan (CN)

D687,660 S * 8/2013 Hsuan-Chin D6/716.4
D714,069 S * 9/2014 Cvek D6/366
D745,300 S * 12/2015 Cvek D6/716
D772,592 S * 11/2016 Su D6/366
D780,499 S * 3/2017 Tsai D6/716.4
D793,142 S * 8/2017 Tsai D6/716.4
D793,143 S * 8/2017 Tsai D6/716.4
D818,294 S * 5/2018 Tsai D6/716.4
D839,035 S * 1/2019 Tsai D6/716.4
D875,453 S * 2/2020 Ma D6/716
2017/0027328 A1 * 2/2017 Su A47C 7/402

(**) Term: **15 Years**
(21) Appl. No.: **29/715,242**
(22) Filed: **Nov. 29, 2019**
(51) **LOC (13) Cl.** **06-06**
(52) **U.S. Cl.**
USPC **D6/716.4**
(58) **Field of Classification Search**
USPC D6/334, 349, 357, 364, 365, 366, 367,
D6/368, 369, 374, 375, 379, 381, 708.16,
D6/716.1, 716.4, 716.7
CPC A47C 3/12; A47C 3/18; A47C 3/20; A47C
3/26; A47C 5/02; A47C 5/10; A47C 7/24;
A47C 7/36; A47C 7/46; A47C 7/18;
A47C 7/40; A47C 1/03255; A47C 4/42;
A47C 4/44; A47C 11/00; A47C 11/05
See application file for complete search history.

FOREIGN PATENT DOCUMENTS

CA 2895942 A1 * 9/2008 A47C 1/03261

* cited by examiner

Primary Examiner — R. Johnson

(74) *Attorney, Agent, or Firm* — Alan D. Kamrath; Karin L. Williams; Mayer & Williams PC

(57) **CLAIM**

The ornamental design for a chair back frame, as shown and described.

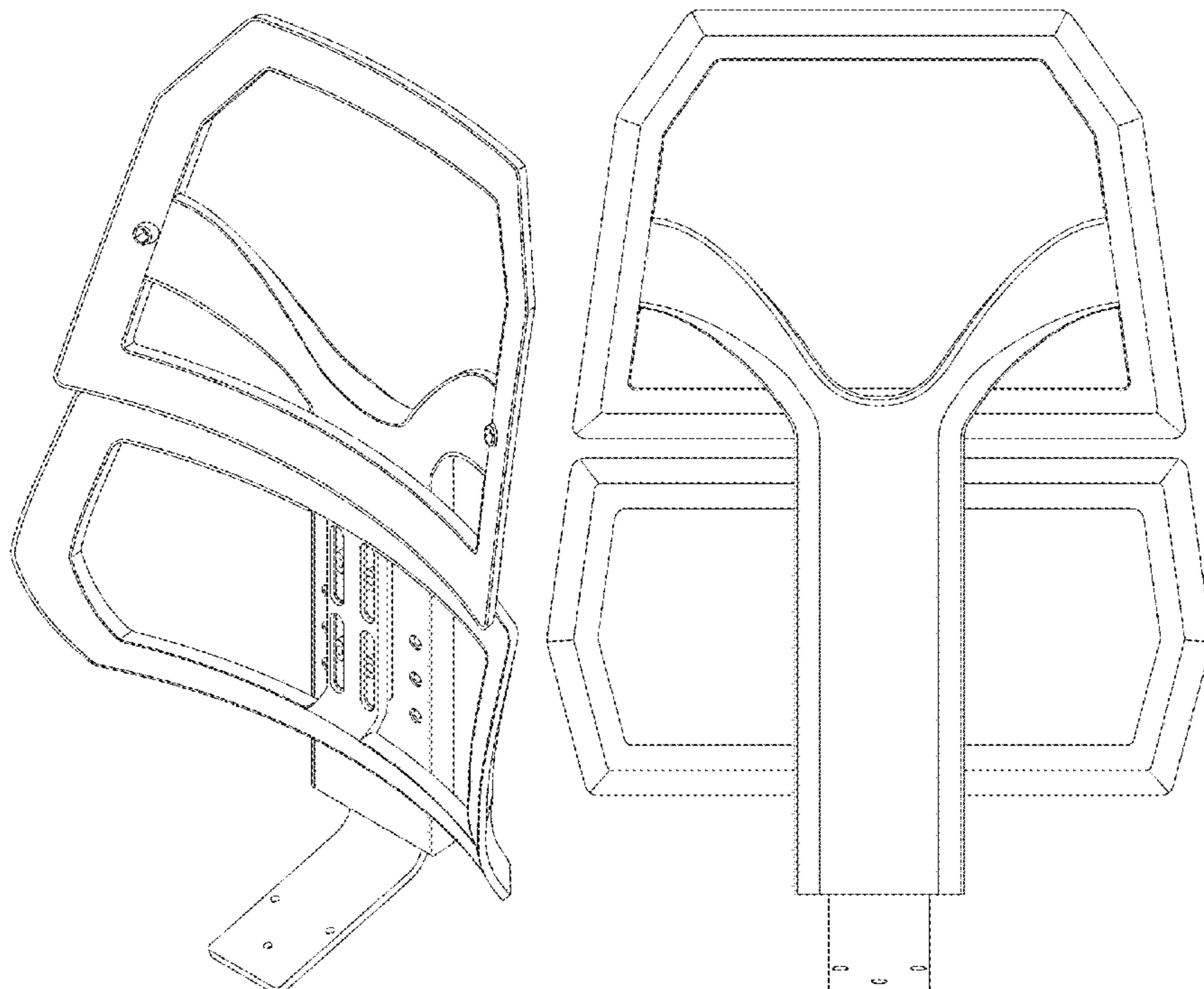
DESCRIPTION

FIG. 1 is a perspective view of a chair back frame, showing my new design;
FIG. 2 is a front elevational view thereof;
FIG. 3 is a rear elevational view thereof;
FIG. 4 is a left side view thereof;
FIG. 5 is a right side view thereof;
FIG. 6 is a top plan view thereof; and,
FIG. 7 is a bottom plan view thereof.

(56) **References Cited**
U.S. PATENT DOCUMENTS

D540,578 S * 4/2007 Chen D6/366
D645,683 S * 9/2011 Chen D6/716.4

1 Claim, 5 Drawing Sheets



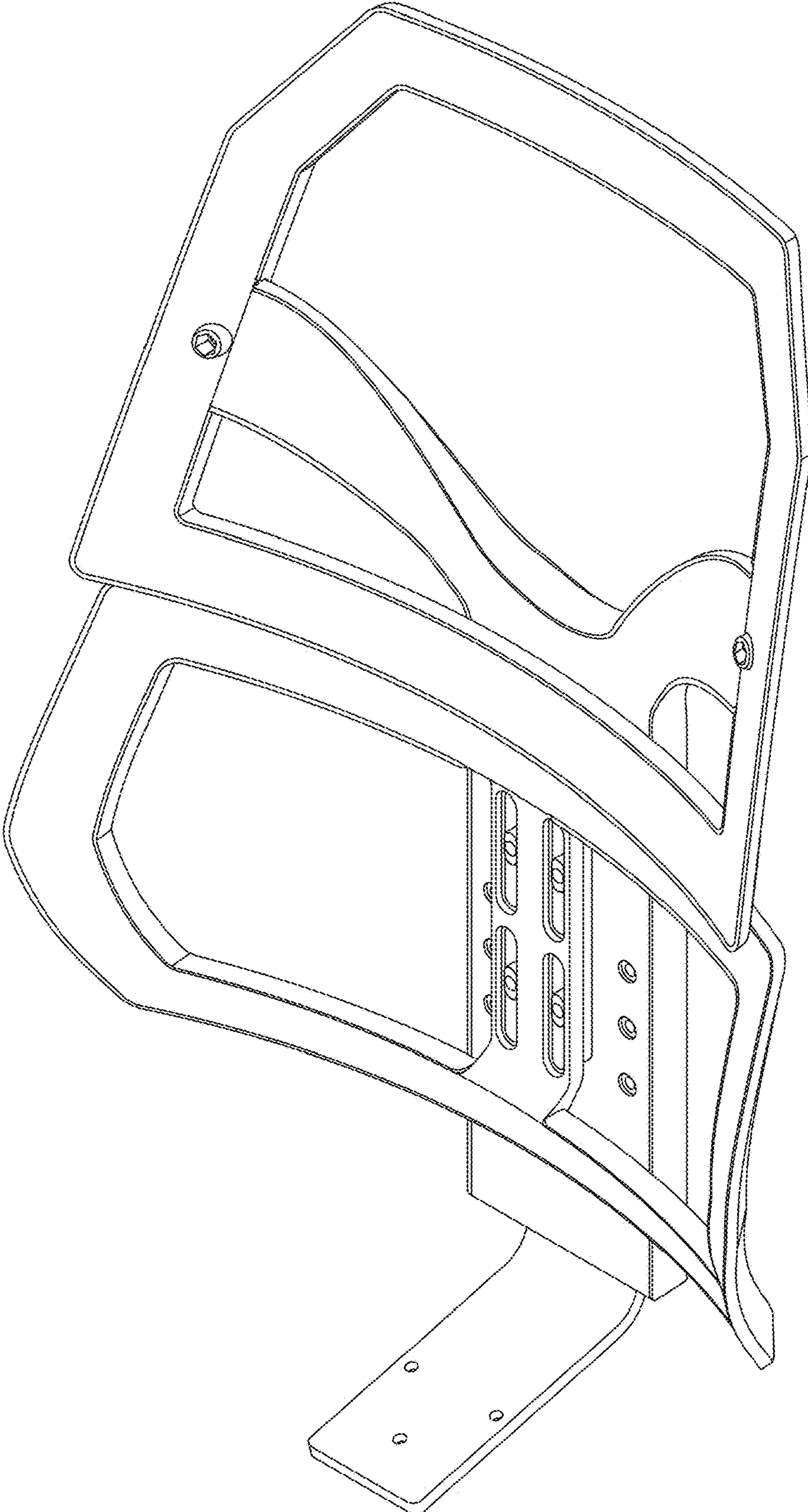


FIG. 1

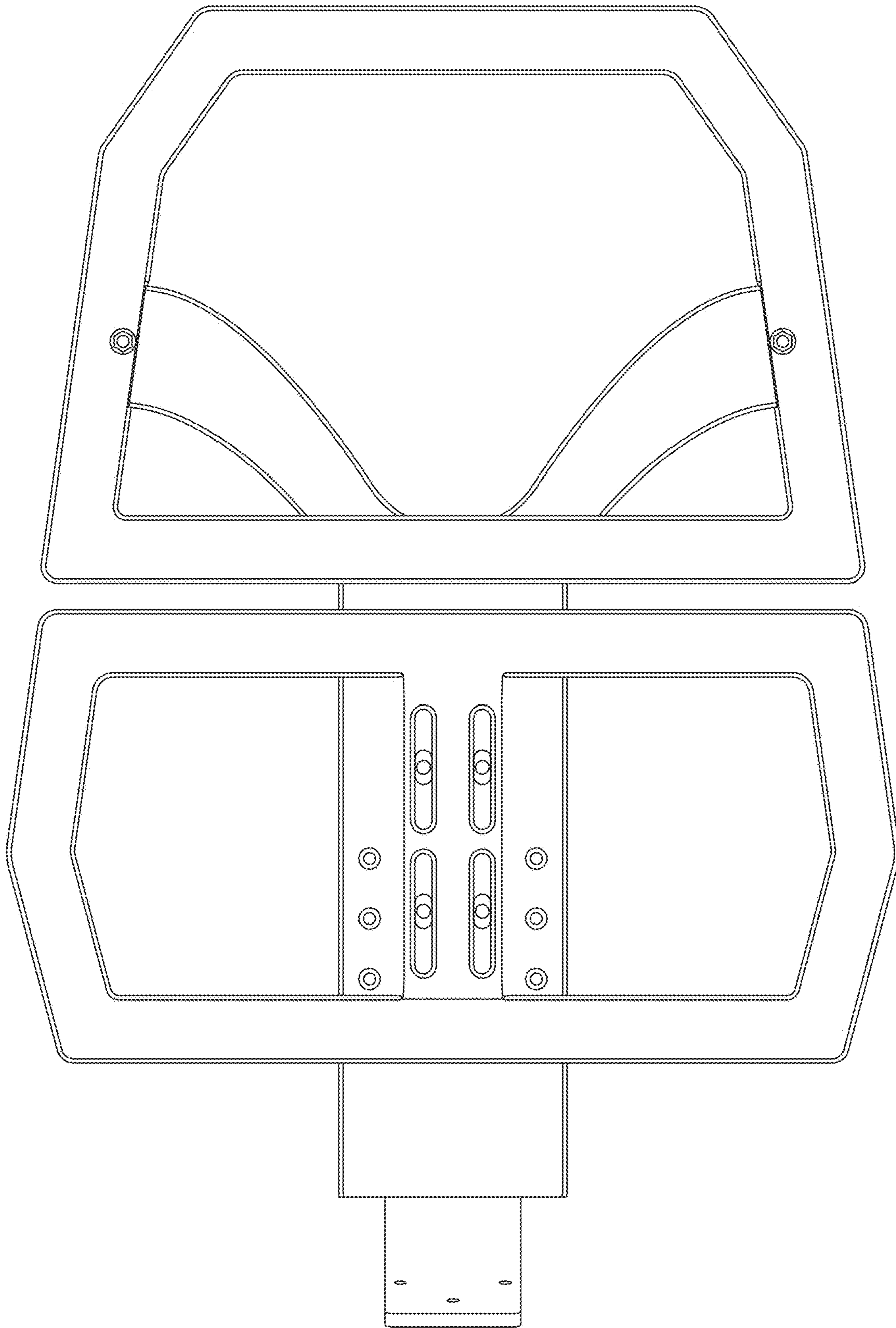


FIG. 2

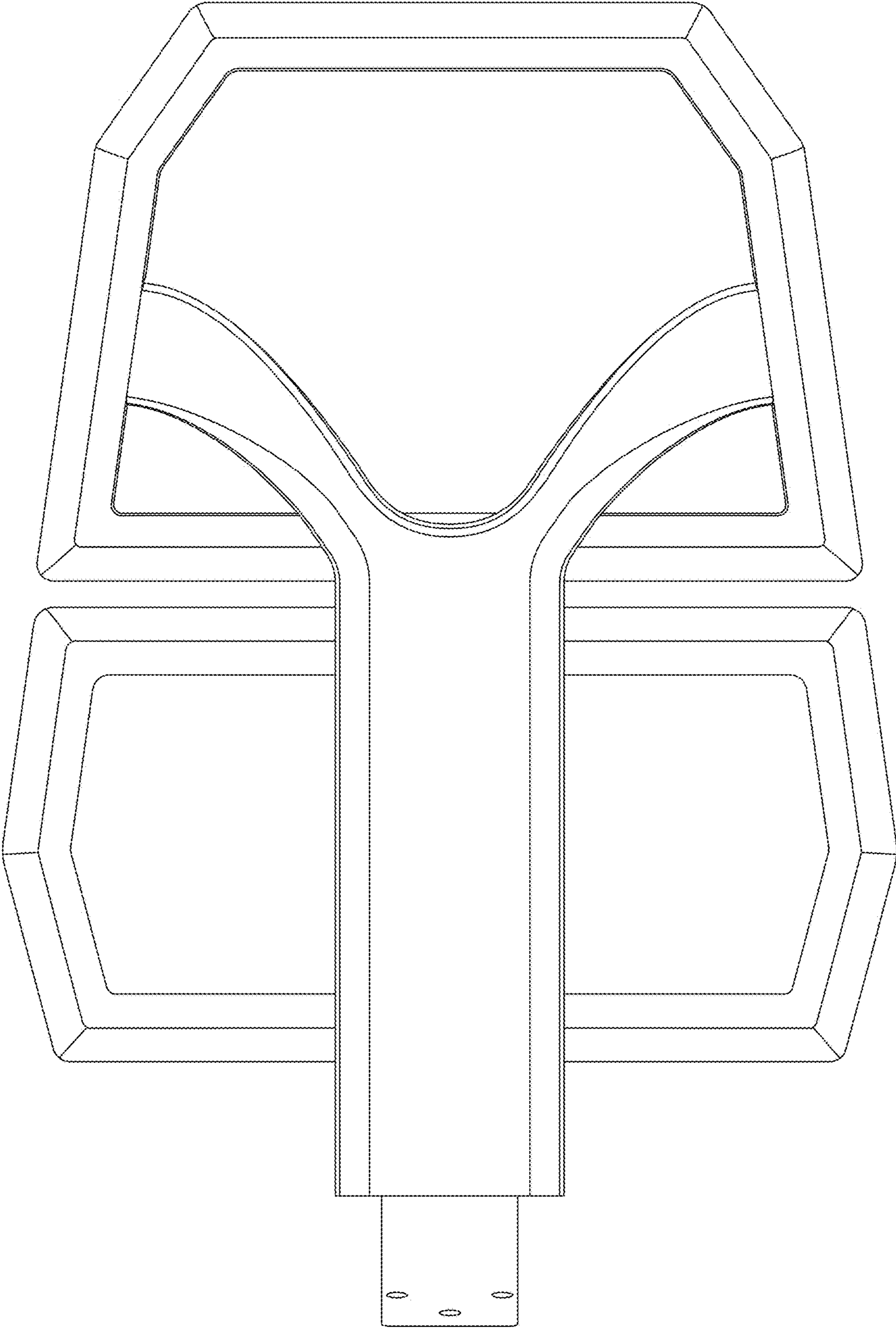


FIG. 3

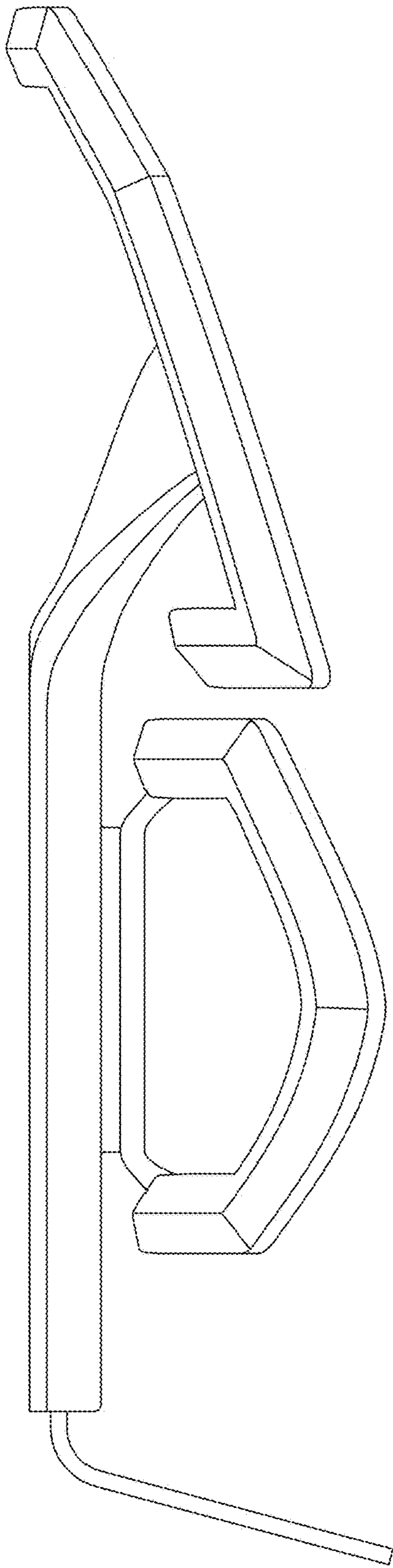


FIG. 4

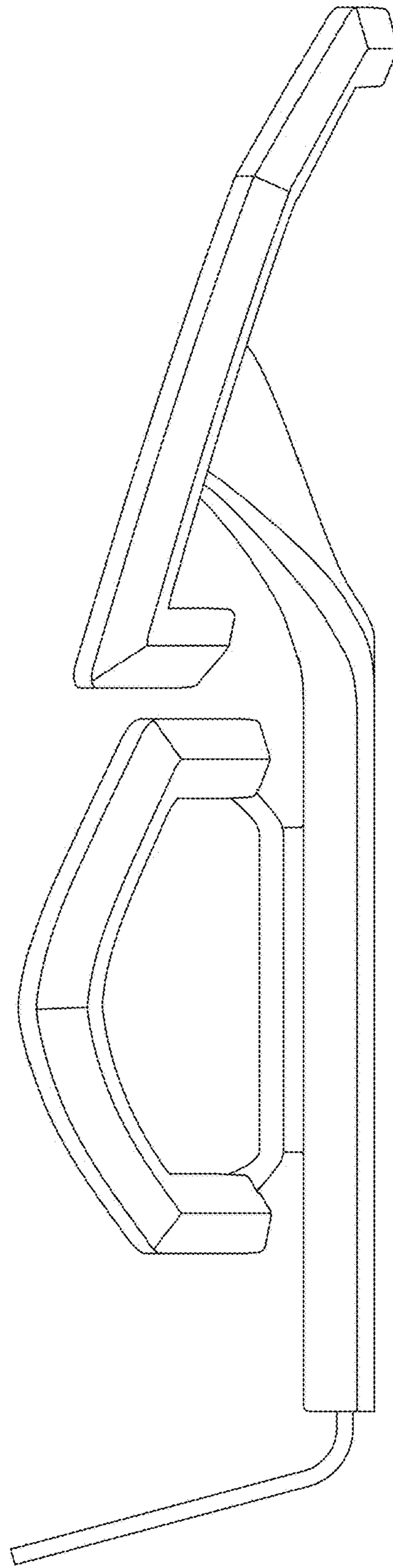


FIG. 5

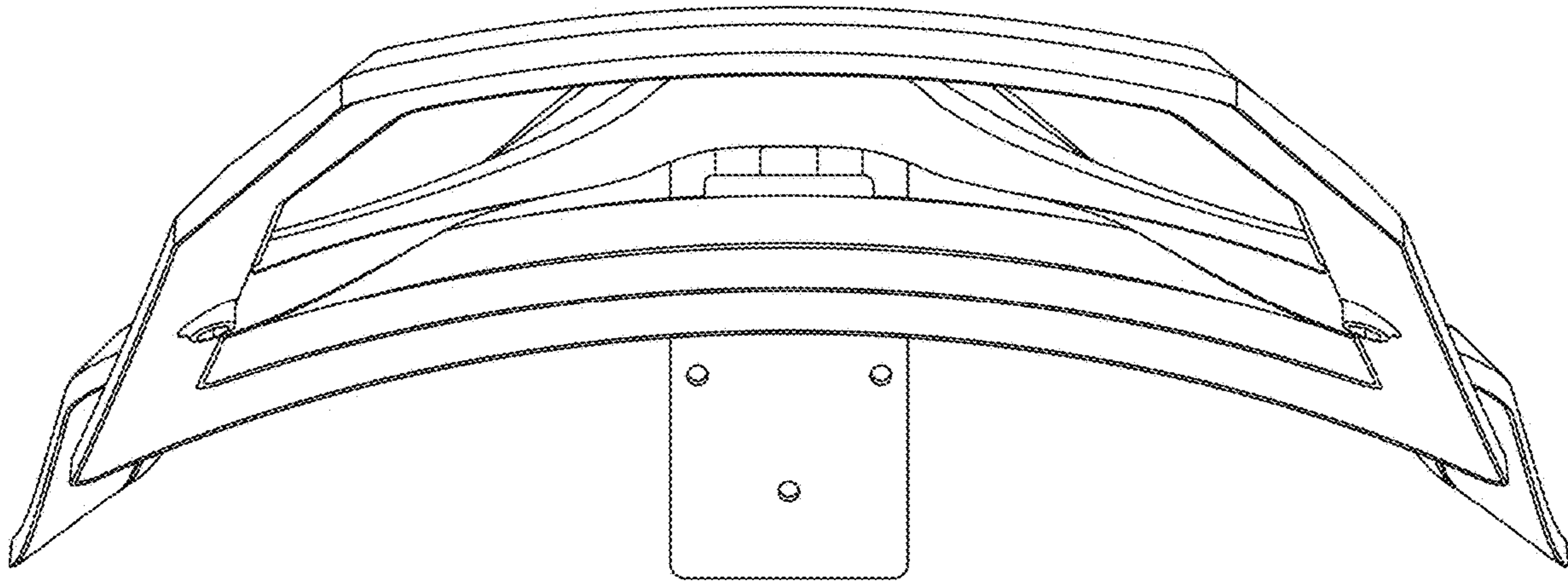


FIG. 6

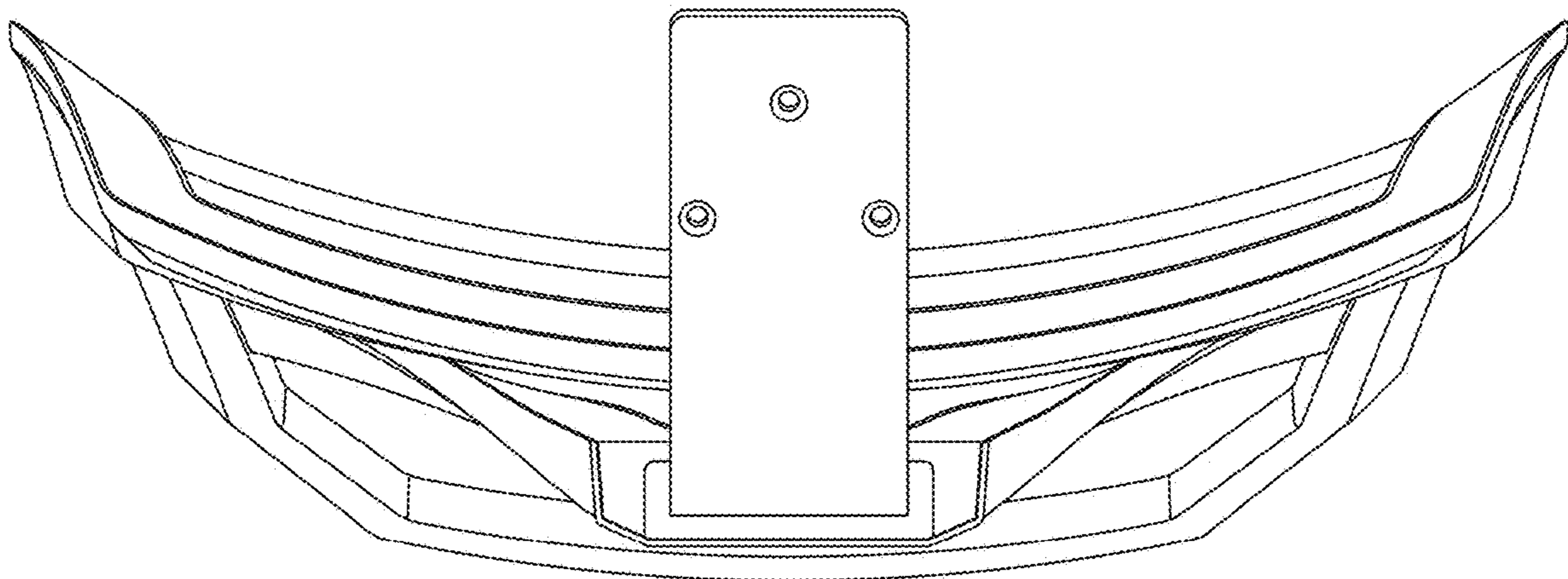


FIG. 7