



US00D917216S

(12) **United States Design Patent**
Kubryk

(10) **Patent No.:** **US D917,216 S**

(45) **Date of Patent:** **** Apr. 27, 2021**

(54) **TASK CHAIR**

(71) Applicant: **Issac Kubryk**, Lockeford, CA (US)

(72) Inventor: **Issac Kubryk**, Lockeford, CA (US)

(73) Assignee: **Global Allies, LLC**, Lockeford, CA (US)

(**) Term: **15 Years**

(21) Appl. No.: **29/699,121**

(22) Filed: **Jul. 23, 2019**

(51) **LOC (13) Cl.** **06-01**

(52) **U.S. Cl.**
USPC **D6/716; D6/366**

(58) **Field of Classification Search**
USPC D6/334-336, 364, 365, 366, 367, 372,
D6/373, 374, 375, 380, 716, 716.1, 716.4,
D6/708.23

CPC .. A47C 3/12; A47C 3/18; A47C 4/028; A47C
7/004; A47C 7/006; A47C 7/18; A47C
7/24; A47C 7/40; A47C 7/54; A47C 5/12;
A47C 7/16; A47C 3/20; A47C 3/24
See application file for complete search history.

(56) **References Cited**

U.S. PATENT DOCUMENTS

3,490,810 A * 1/1970 Putnam A47C 7/18
297/452.16
D550,465 S * 9/2007 Bouroullec D6/334

D609,037 S *	2/2010	Miller	D6/716
D683,171 S *	5/2013	Kubryk	D6/716
D730,099 S *	5/2015	Kubryk	D6/716
D794,368 S *	8/2017	Swy	D6/716
D794,370 S *	8/2017	Swy	D6/716
D794,371 S *	8/2017	Swy	D6/716
D799,874 S *	10/2017	Swy	D6/716
D825,216 S *	8/2018	Schaeffer	D6/375
D836,934 S *	1/2019	Guffler	D6/380
D849,434 S *	5/2019	Hale	D6/364
D850,138 S *	6/2019	Taraba	D6/380
D903,361 S *	12/2020	Garcia Lax	D6/375
D906,708 S *	1/2021	Li	D6/366

* cited by examiner

Primary Examiner — Mimosa De

(74) *Attorney, Agent, or Firm* — Weintraub Tobin; Audrey A. Millemann

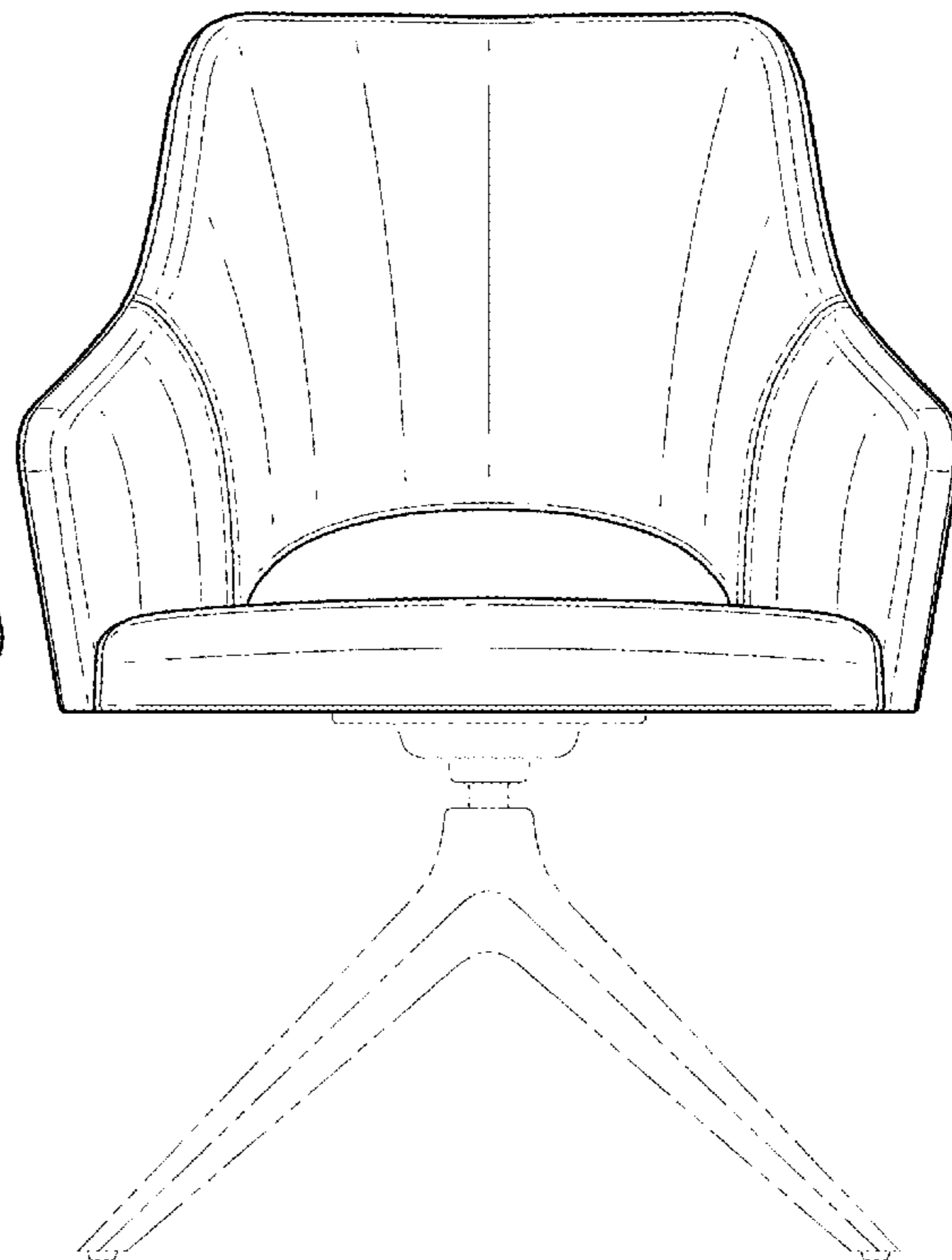
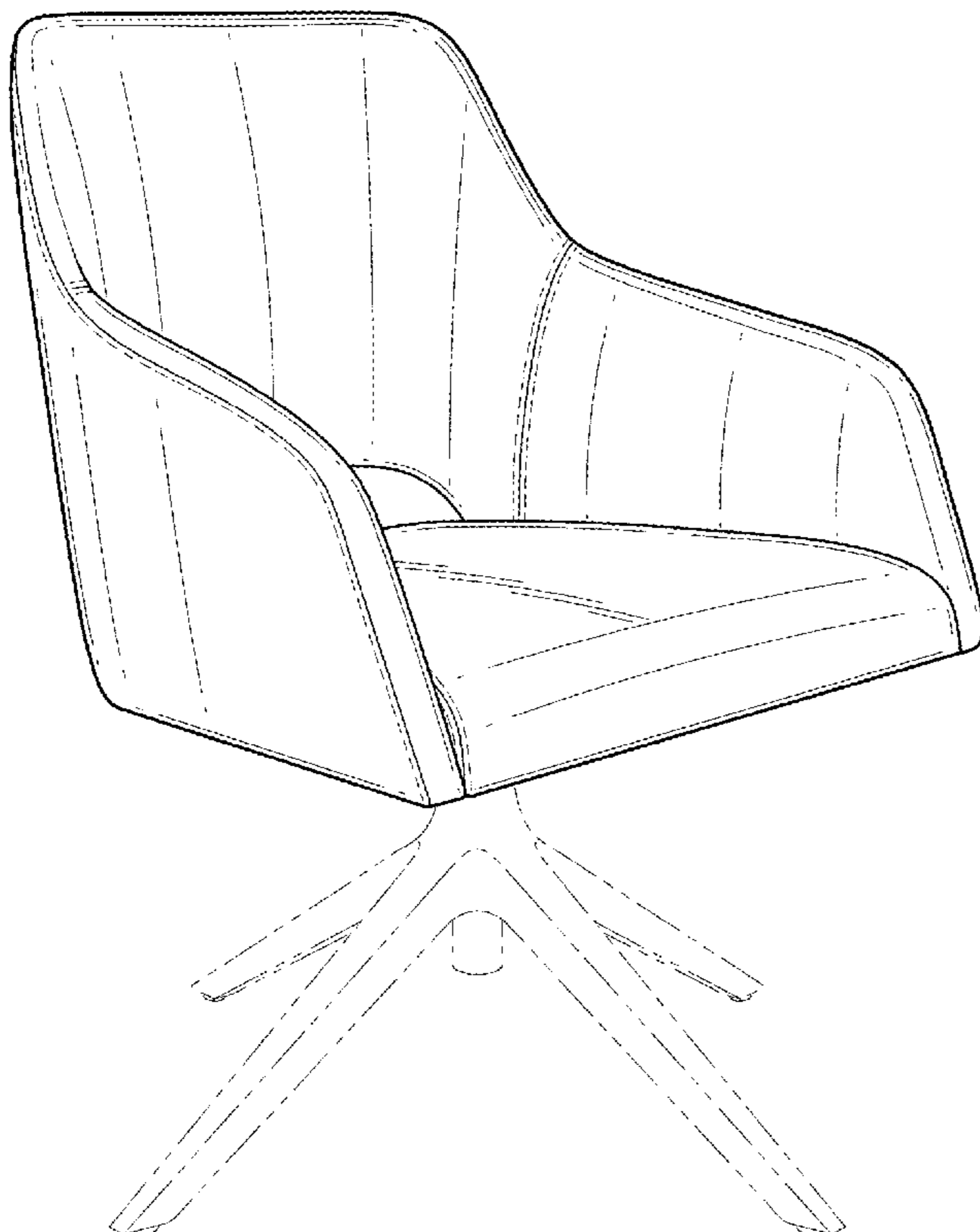
(57) **CLAIM**

The ornamental design for a task chair, as shown and described.

DESCRIPTION

FIG. 1 is front perspective view of a task chair showing my new design;
FIG. 2 is a front view thereof;
FIG. 3 is a right side view thereof;
FIG. 4 is a back view thereof;
FIG. 5 is a top view thereof; and,
FIG. 6 is a bottom view thereof.
The broken lines shown in the drawing are for illustrative purposes only and form no part of the claimed design.

1 Claim, 6 Drawing Sheets



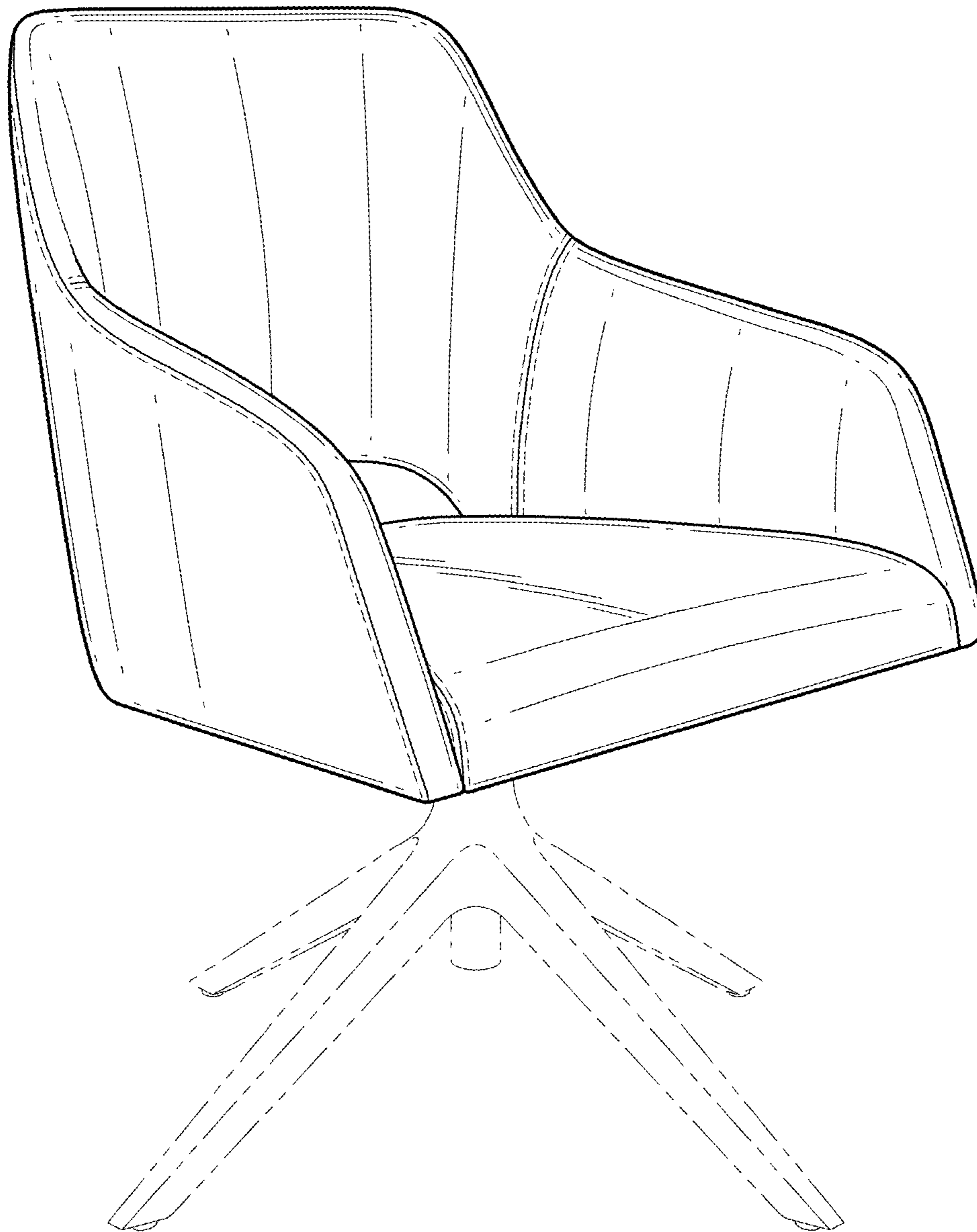


FIG. 1

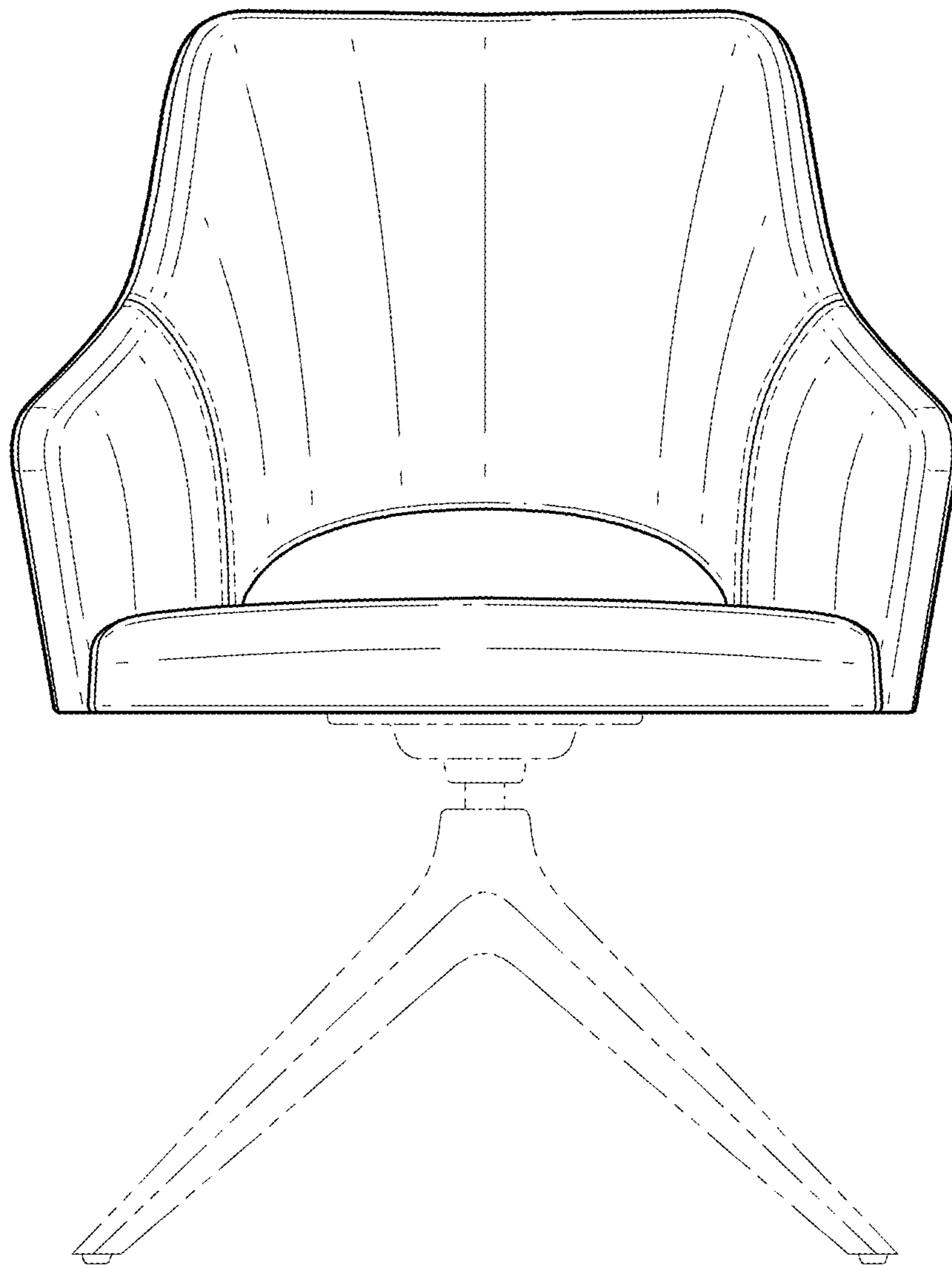


FIG. 2

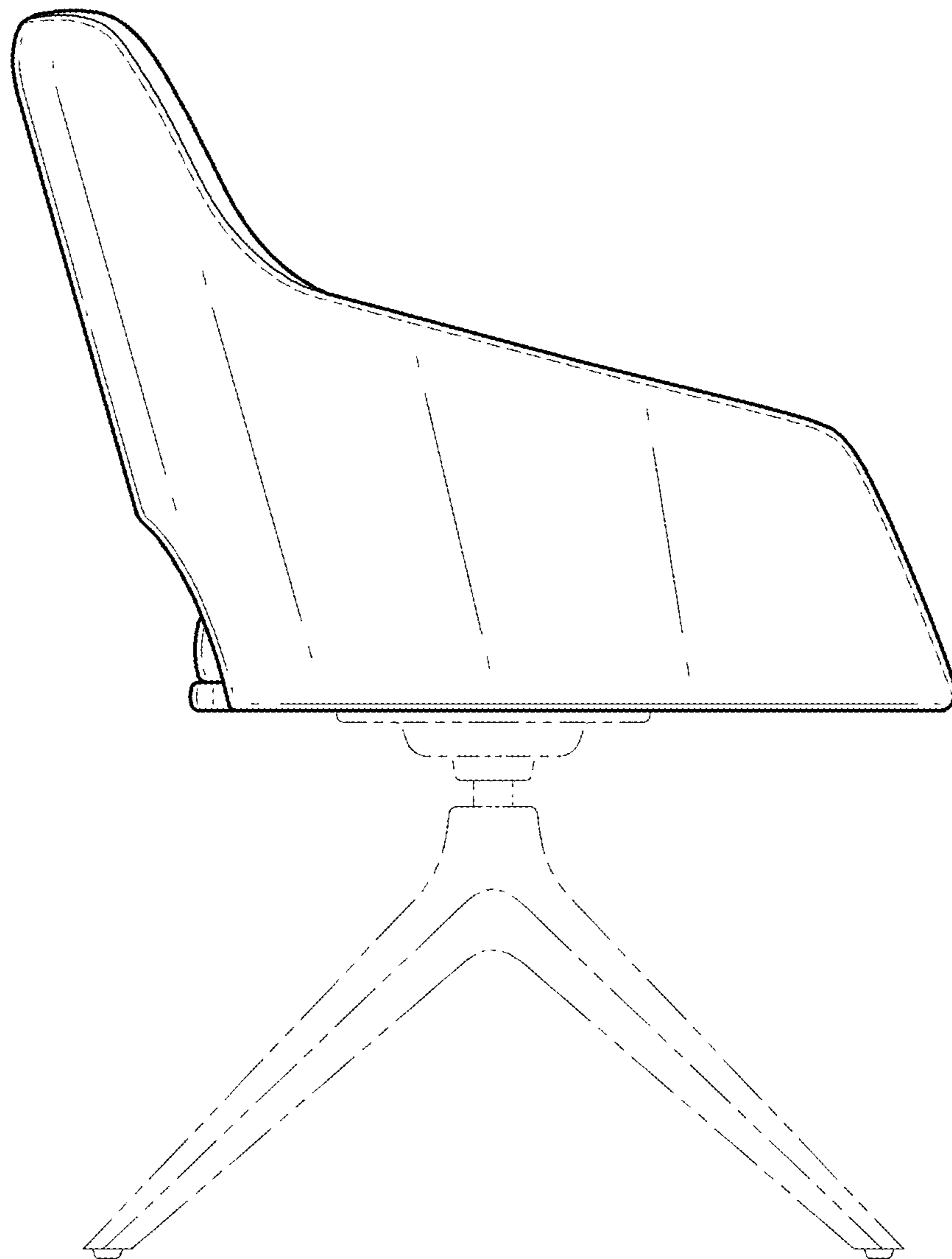


FIG. 3

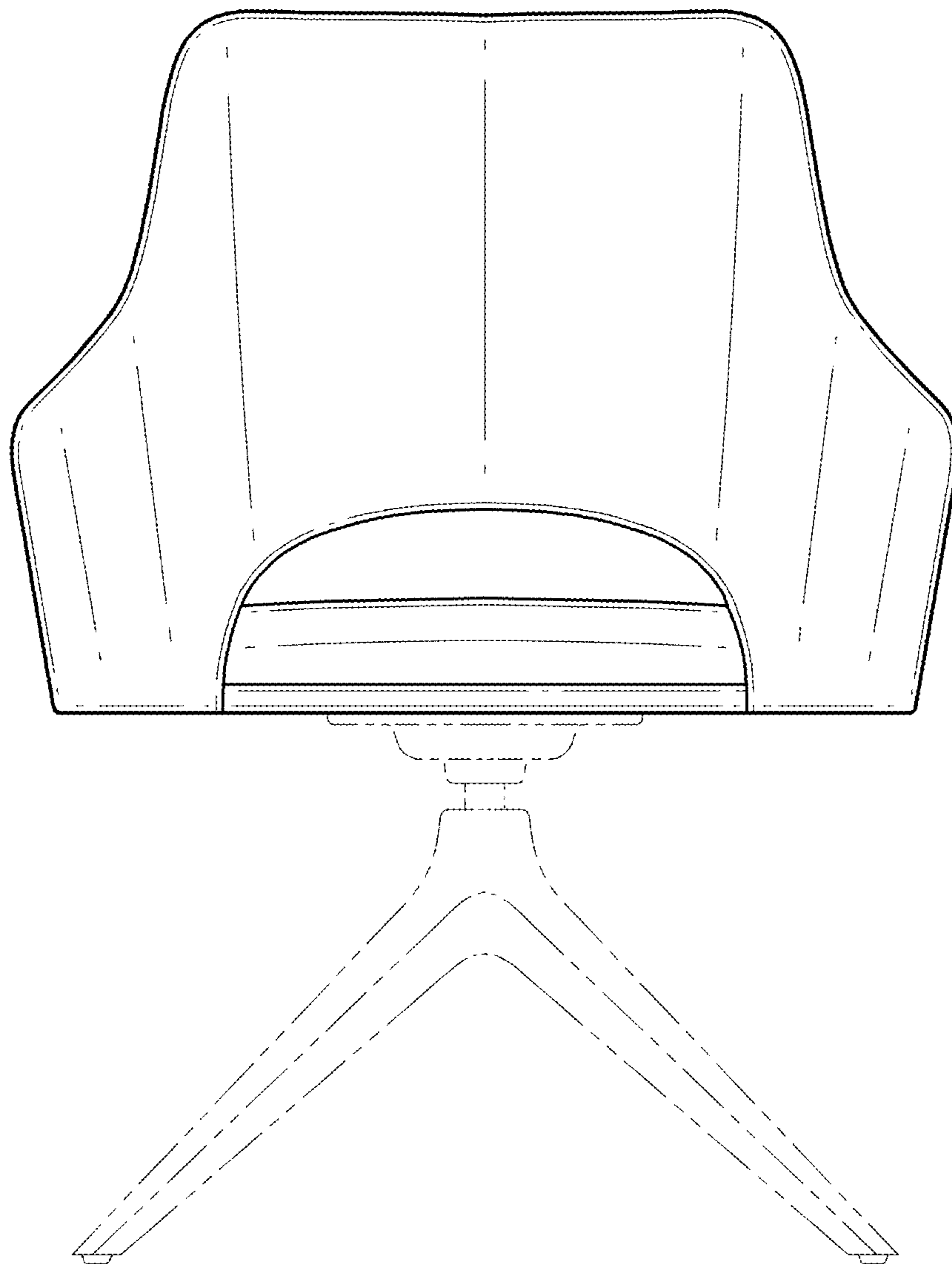


FIG. 4

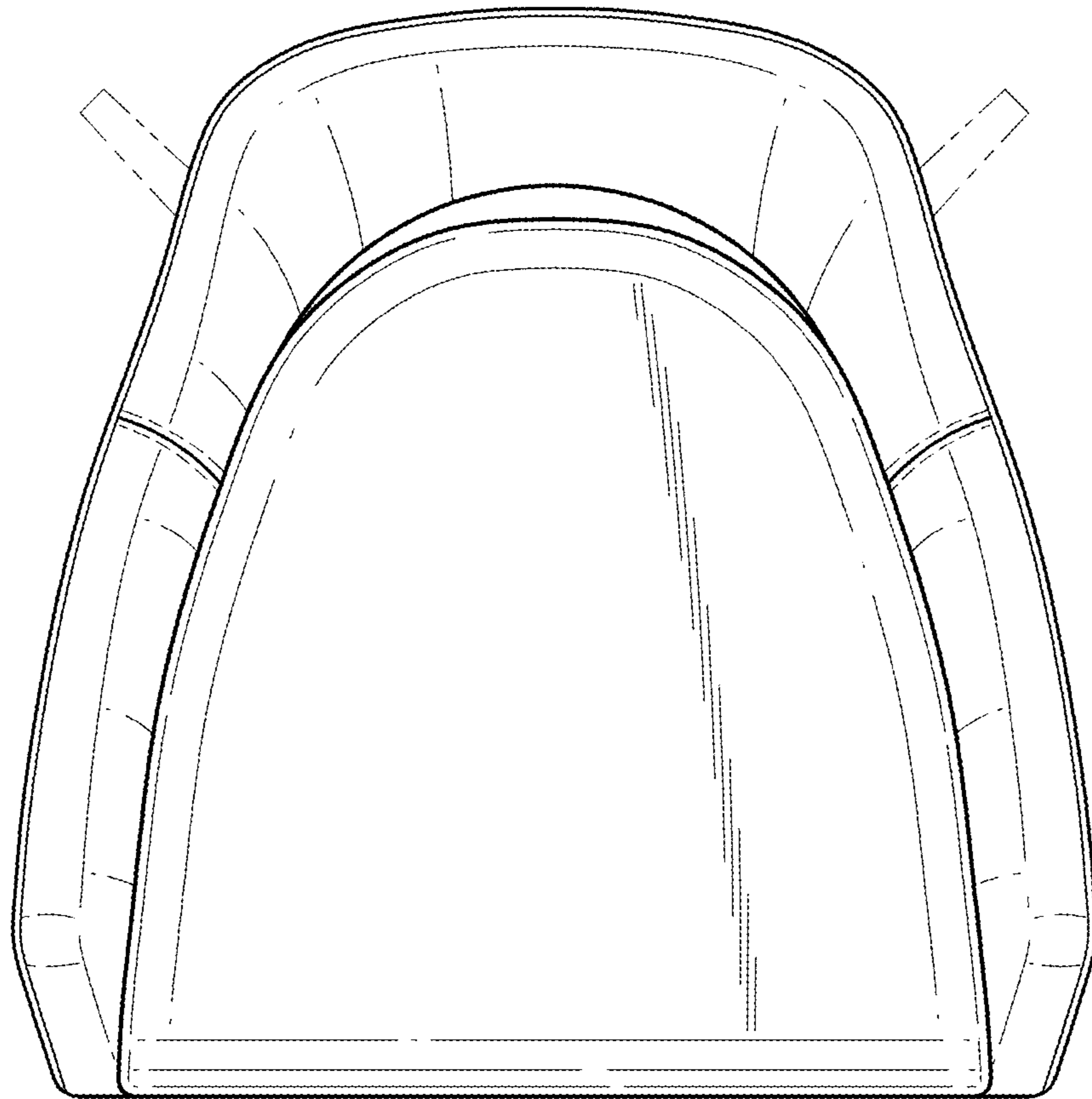


FIG. 5

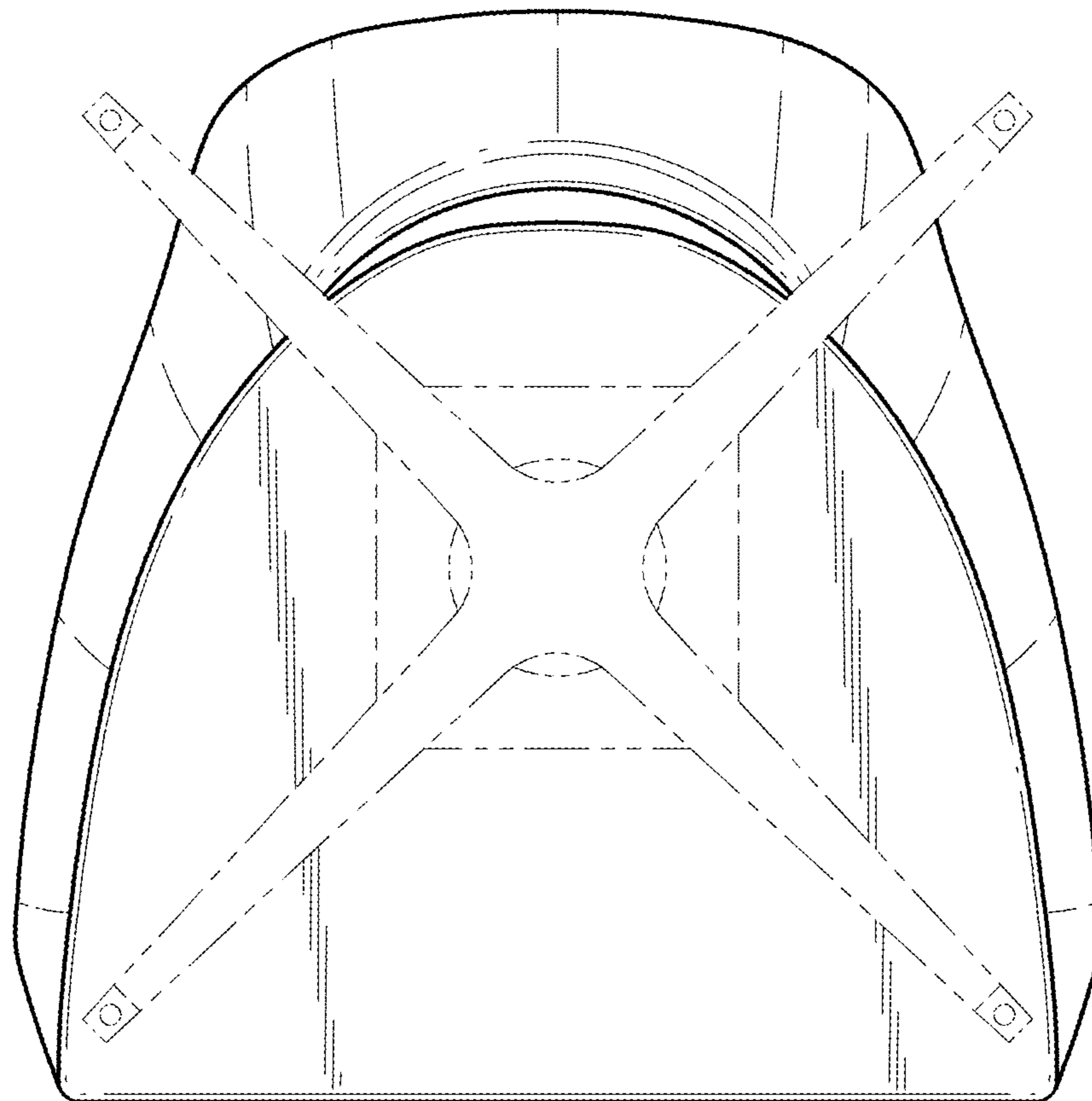


FIG. 6