



US00D917215S

(12) **United States Design Patent** (10) **Patent No.:** **US D917,215 S**
Van Gelderen (45) **Date of Patent:** **** Apr. 27, 2021**

(54) **SAFETY SEAT BASE**

(56) **References Cited**

(71) Applicant: **Wonderland Switzerland AG,**
Steinhausen (CH)

U.S. PATENT DOCUMENTS

(72) Inventor: **Martijn Van Gelderen,** Leiderdorp
(NL)

D658,410 S * 5/2012 Geivett D6/715
D817,055 S * 5/2018 Lee D6/715
D818,752 S * 5/2018 Lee D6/715
D859,862 S * 9/2019 Kapanzhi D6/344

(73) Assignee: **WONDERLAND SWITZERLAND**
AG, Steinhausen (CH)

* cited by examiner

(**) Term: **15 Years**

Primary Examiner — Abraham Bahta

(21) Appl. No.: **29/705,390**

(74) *Attorney, Agent, or Firm* — Shimokaji IP

(22) Filed: **Sep. 11, 2019**

(57) **CLAIM**

(30) **Foreign Application Priority Data**

The ornamental design for a safety seat base, as shown and described.

Mar. 12, 2019 (CN) 201930100081.6

DESCRIPTION

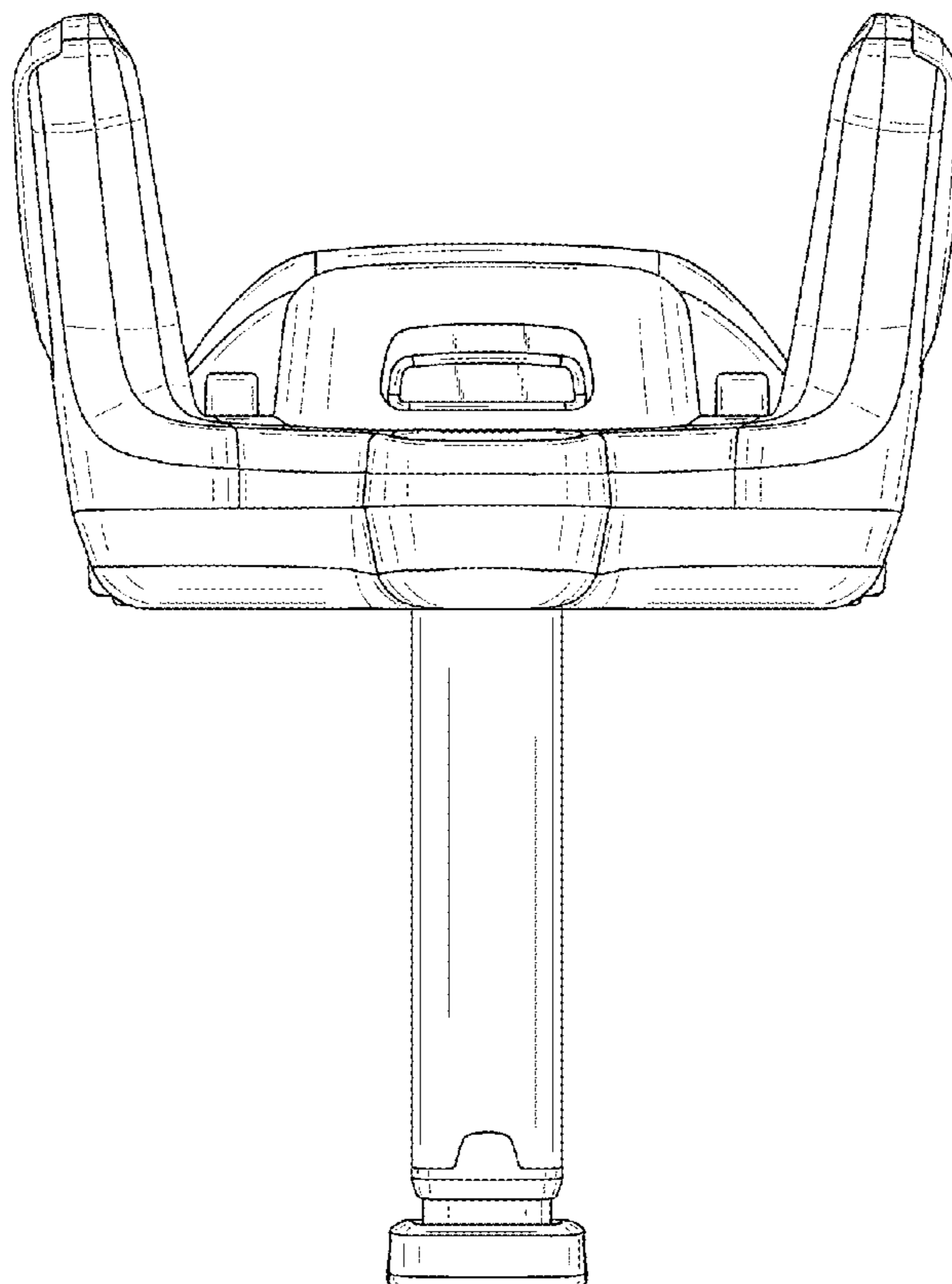
(51) **LOC (13) Cl.** **06-06**

(52) **U.S. Cl.**
USPC **D6/715**

(58) **Field of Classification Search**
USPC D6/333-334, 356, 364, 366, 372-375,
D6/708.19, 716, 716.1, 716.2, 716.4
CPC A47C 1/12; A47C 1/14; A47C 1/16; A47C
3/16; A47C 4/02; A47C 4/03; A47C 5/12;
A47C 7/00; A47C 7/02; A47C 7/021;
A47C 7/022; A47C 7/16; A47C 7/40;
B60N 2/26; B60N 2/28; B60N 2/2803;
B60N 2/2821; B60N 2/2884; B60N 2/30
See application file for complete search history.

FIG. 1 is a front elevation view of a safety seat base showing my design;
FIG. 2 is a rear elevation view thereof;
FIG. 3 is a left side elevation view thereof;
FIG. 4 is a right side elevation view thereof;
FIG. 5 is a top plan view thereof;
FIG. 6 is a bottom plan view thereof; and,
FIG. 7 is a perspective view thereof.
The portion shown in broken lines is for illustrative purposes only and forms no part of the claimed design.

1 Claim, 7 Drawing Sheets



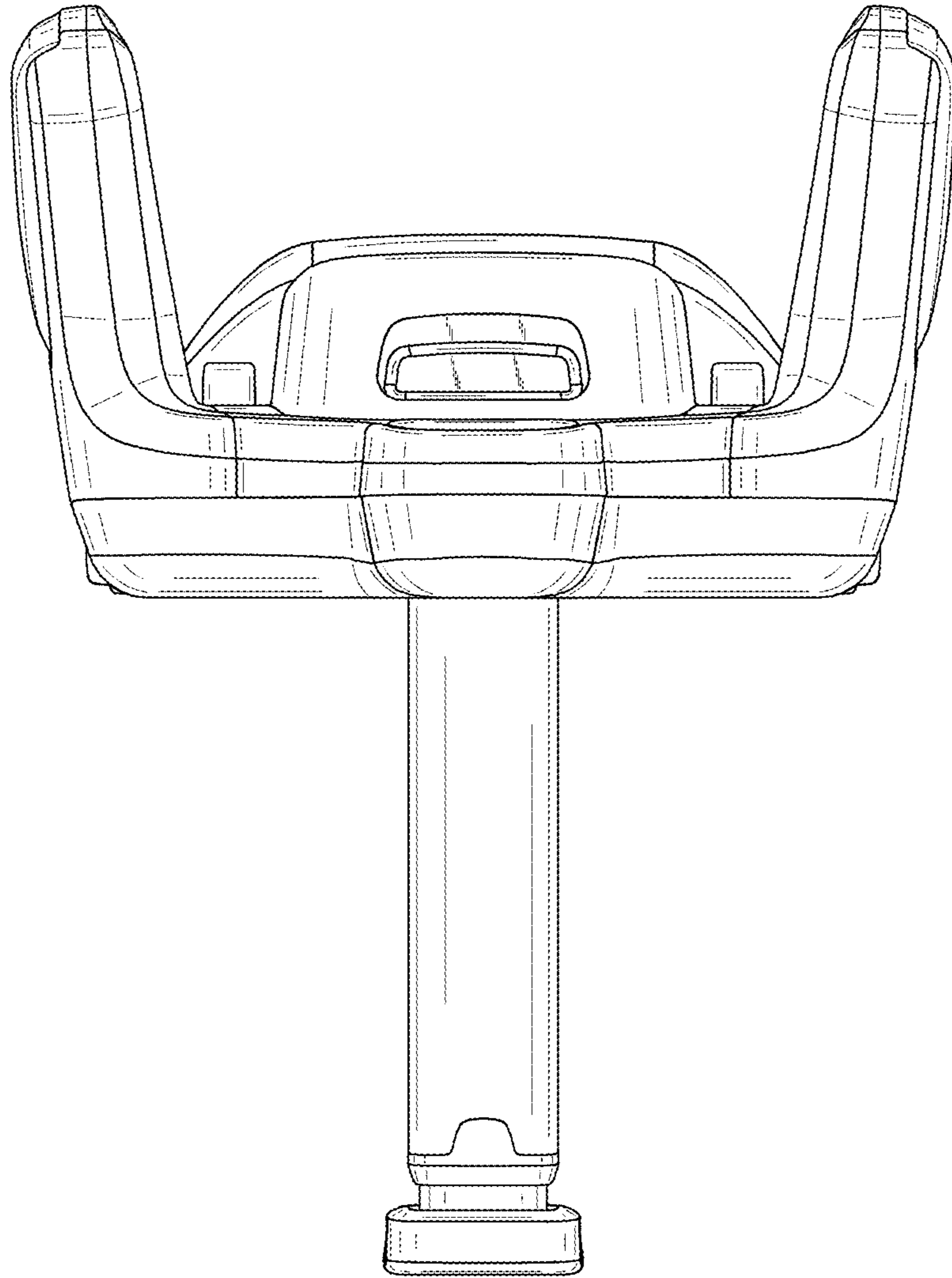


FIG.1

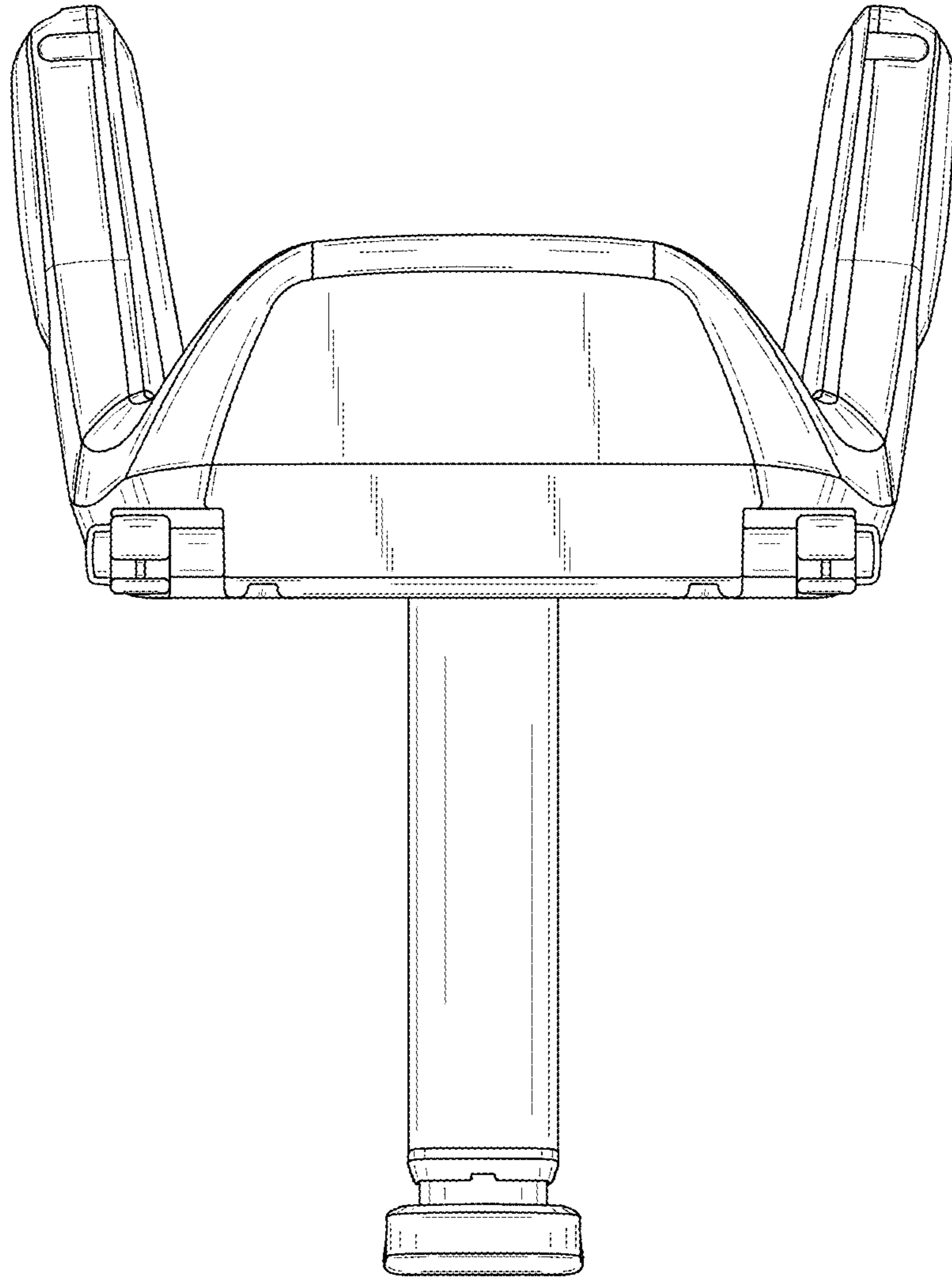


FIG.2

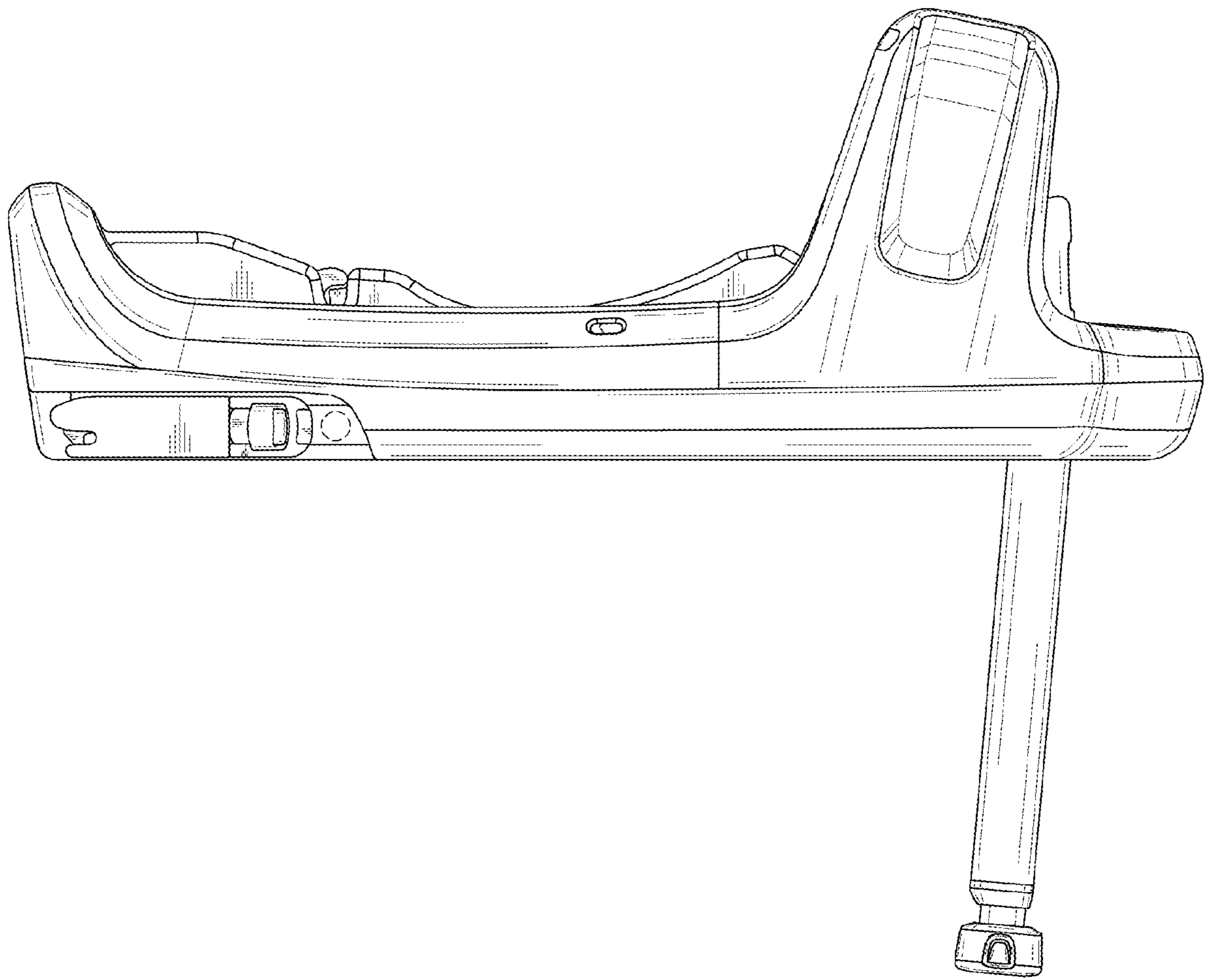


FIG.3

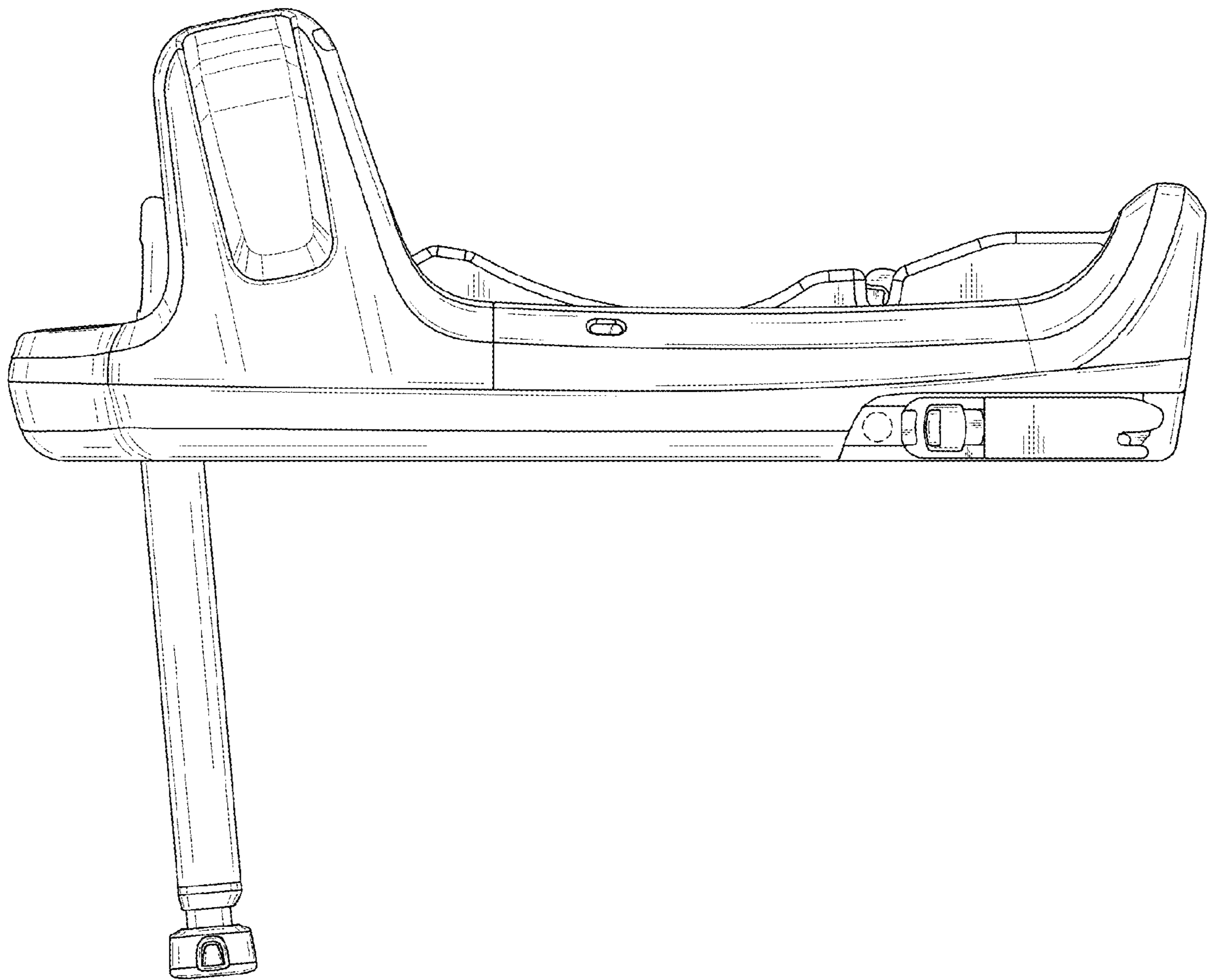


FIG.4

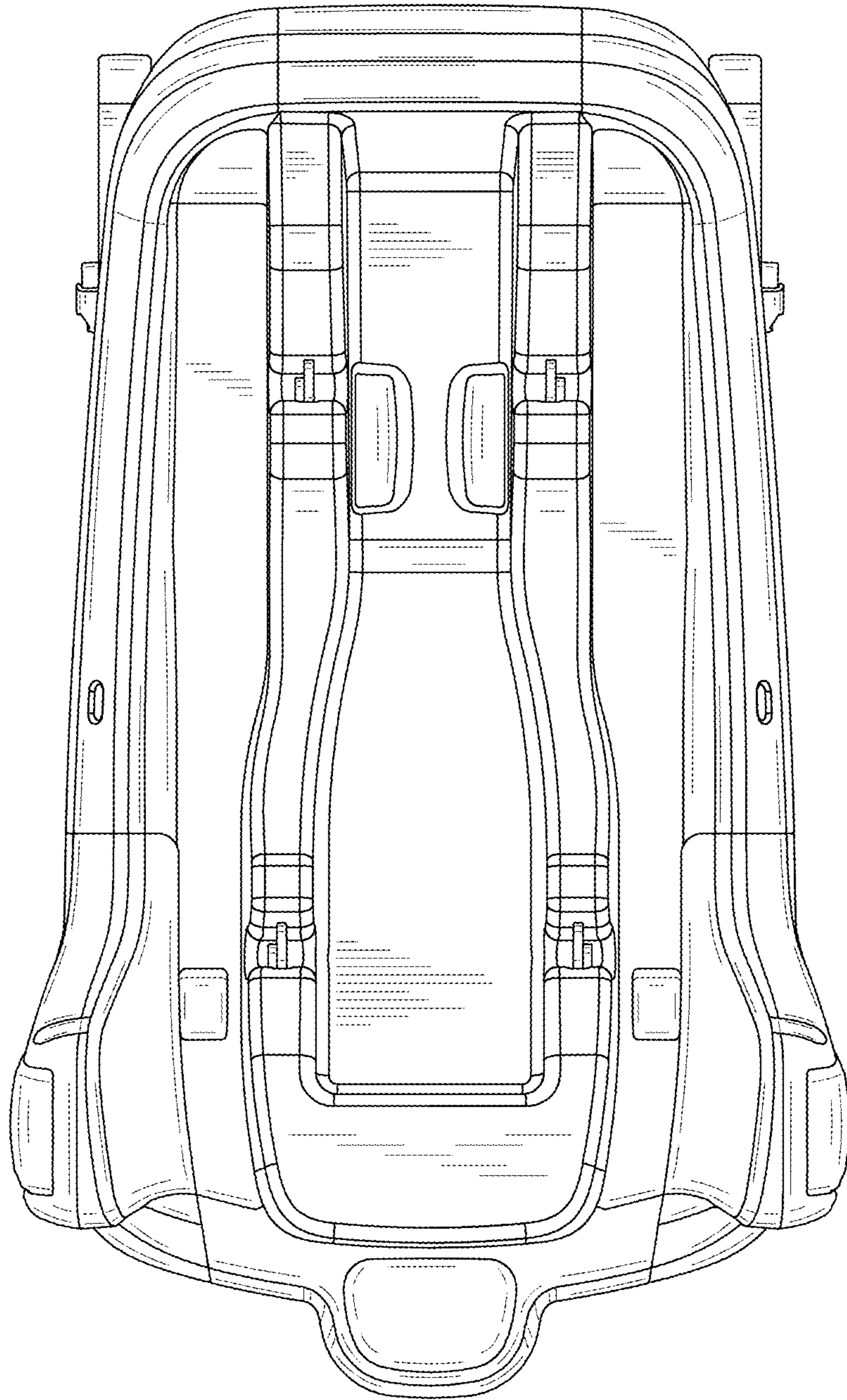


FIG.5

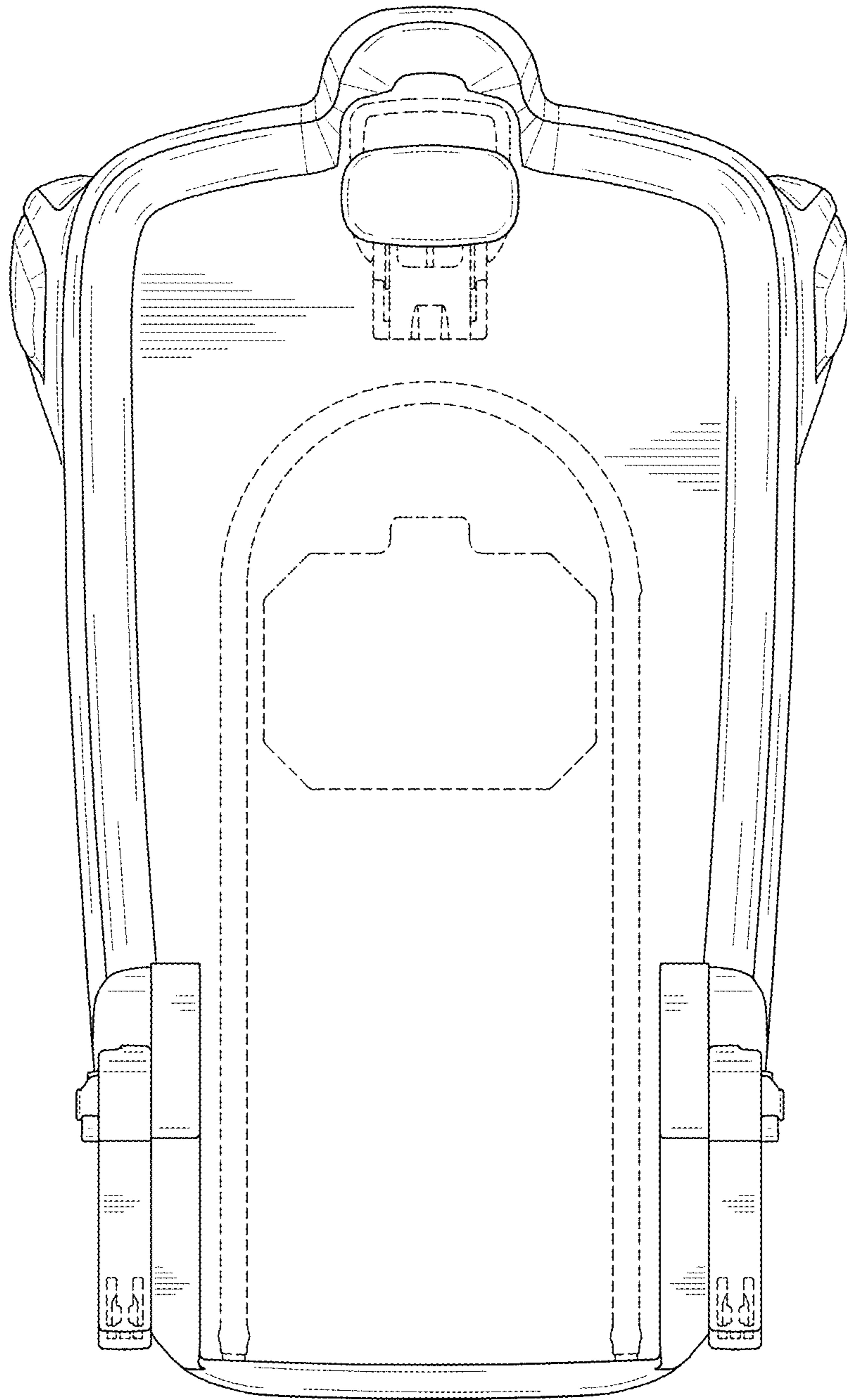


FIG.6

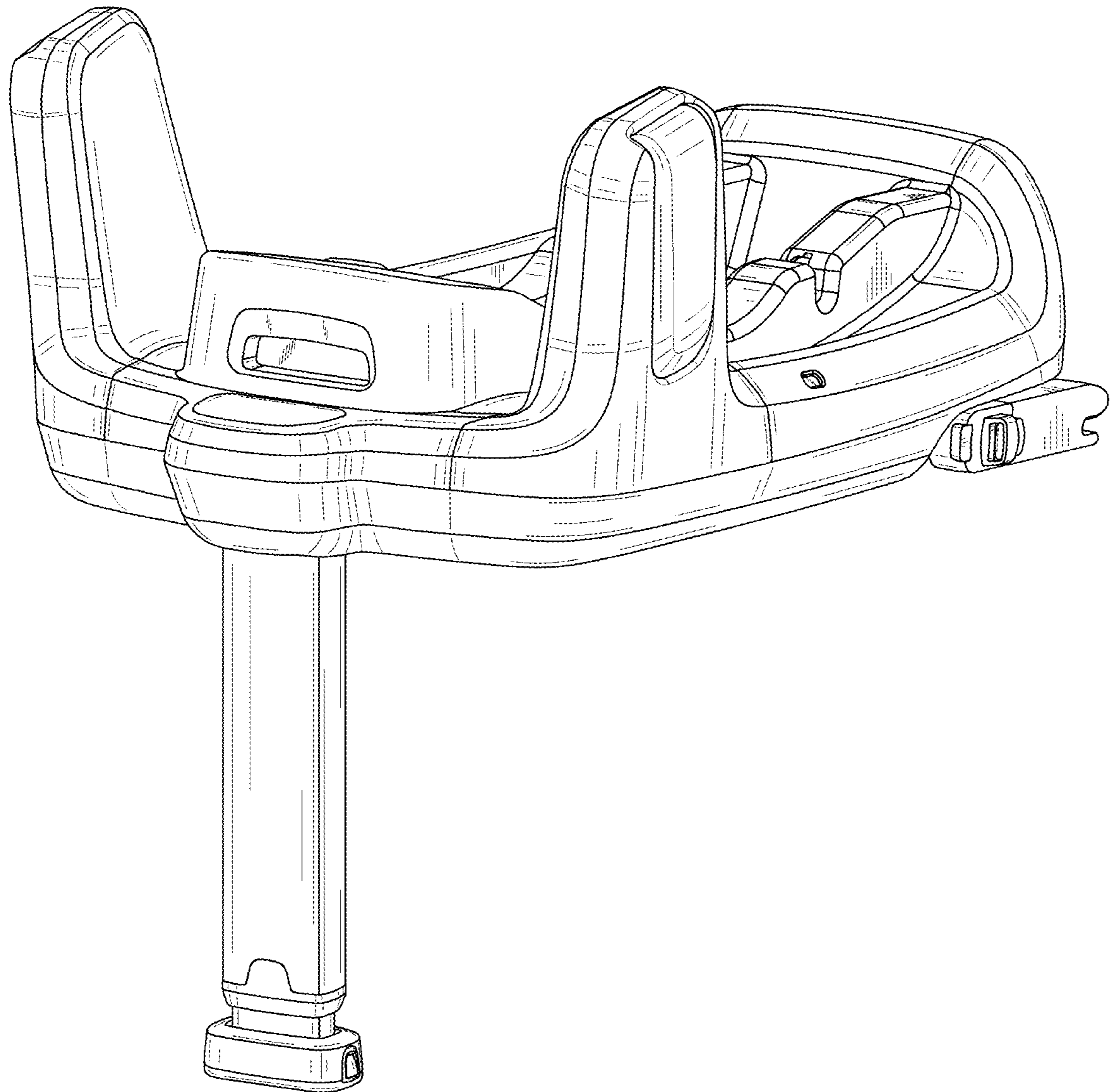


FIG. 7