



US00D917213S

(12) **United States Design Patent**
Li

(10) **Patent No.:** **US D917,213 S**

(45) **Date of Patent:** **** Apr. 27, 2021**

- (54) **TABLE**
- (71) Applicant: **Homy Casa Limited**, Hong Kong (HK)
- (72) Inventor: **YueHai Li**, Guangzhou (CN)
- (73) Assignee: **HOMY CASA LIMITED**, Hong Kong (HK)

D284,336 S *	6/1986	Berry, Jr.	D6/687
D287,679 S *	1/1987	Evans	D6/687
D349,416 S *	8/1994	Shimogori	D6/687
D355,799 S *	2/1995	D'Urbino	D6/687
D612,174 S *	3/2010	Dingjian	D6/687
D650,609 S *	12/2011	Walker	D6/688
D864,629 S *	10/2019	Velez	D6/687
2005/0229822 A1 *	10/2005	Tzeng	A47B 1/05 108/91

(**) Term: **15 Years**

* cited by examiner

(21) Appl. No.: **29/701,157**

Primary Examiner — Mary Ann Calabrese

(22) Filed: **Aug. 8, 2019**

(74) *Attorney, Agent, or Firm* — Hauptman Ham, LLP

(51) **LOC (13) Cl.** **06-03**

(57) **CLAIM**

(52) **U.S. Cl.**
USPC **D6/687**; D6/692

The ornamental design for a table, as shown and described.

(58) **Field of Classification Search**
USPC D6/677.3, 685, 686, 687, 692,
D6/692.1–692.6

DESCRIPTION

CPC .. A47B 7/00; A47B 9/00; A47B 13/00; A47B
13/02; A47B 13/08; A47B 21/00; A47B
2009/00269; A47B 2200/0001; A47B
2200/0011; A47B 2200/002
See application file for complete search history.

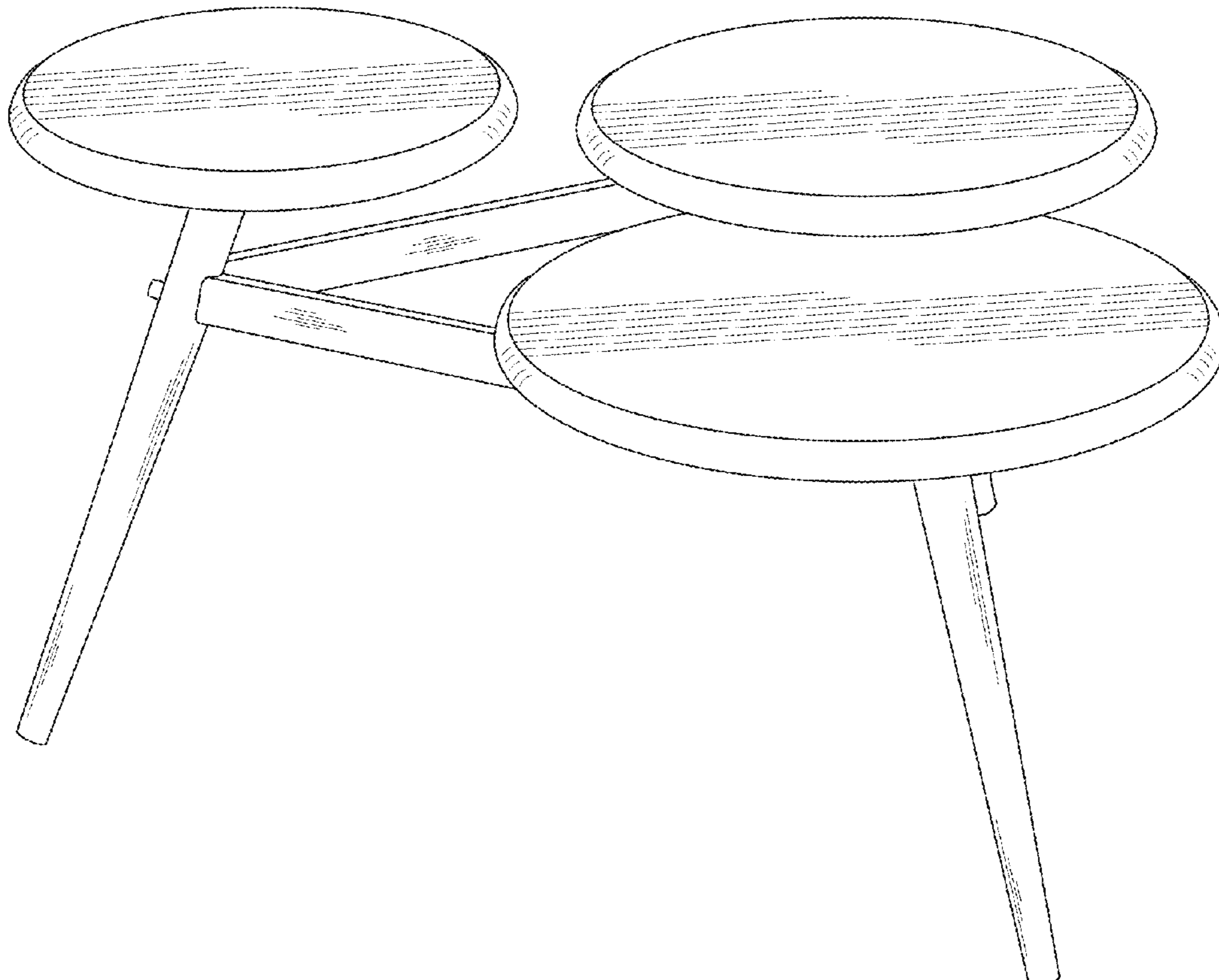
FIG. 1 is a front view of a table showing my new design.
FIG. 2 is a back view of the table of FIG. 1.
FIG. 3 is a left side view of the table of FIG. 1.
FIG. 4 is a right side view of the table of FIG. 1.
FIG. 5 is a top view of the table of FIG. 1.
FIG. 6 is a bottom view of the table of FIG. 1; and,
FIG. 7 is a perspective view of the table of FIG. 1.
The broken lines illustrate portions of the table and form no part of the claimed design.

(56) **References Cited**

U.S. PATENT DOCUMENTS

D45,763 S *	5/1914	Moberg	D6/677.3
D274,578 S *	7/1984	Berry, Jr.	D6/692.3

1 Claim, 7 Drawing Sheets



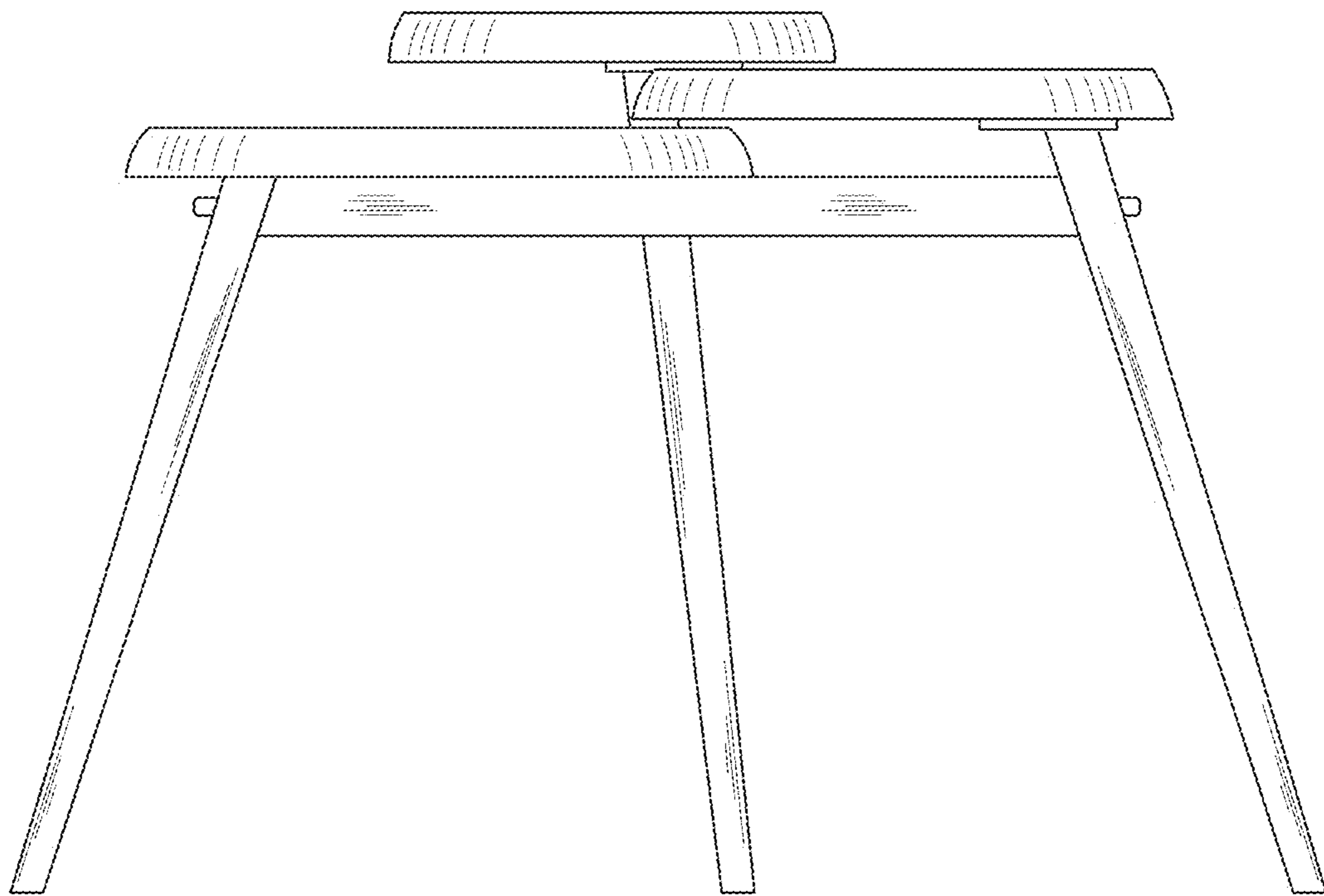


FIG. 1

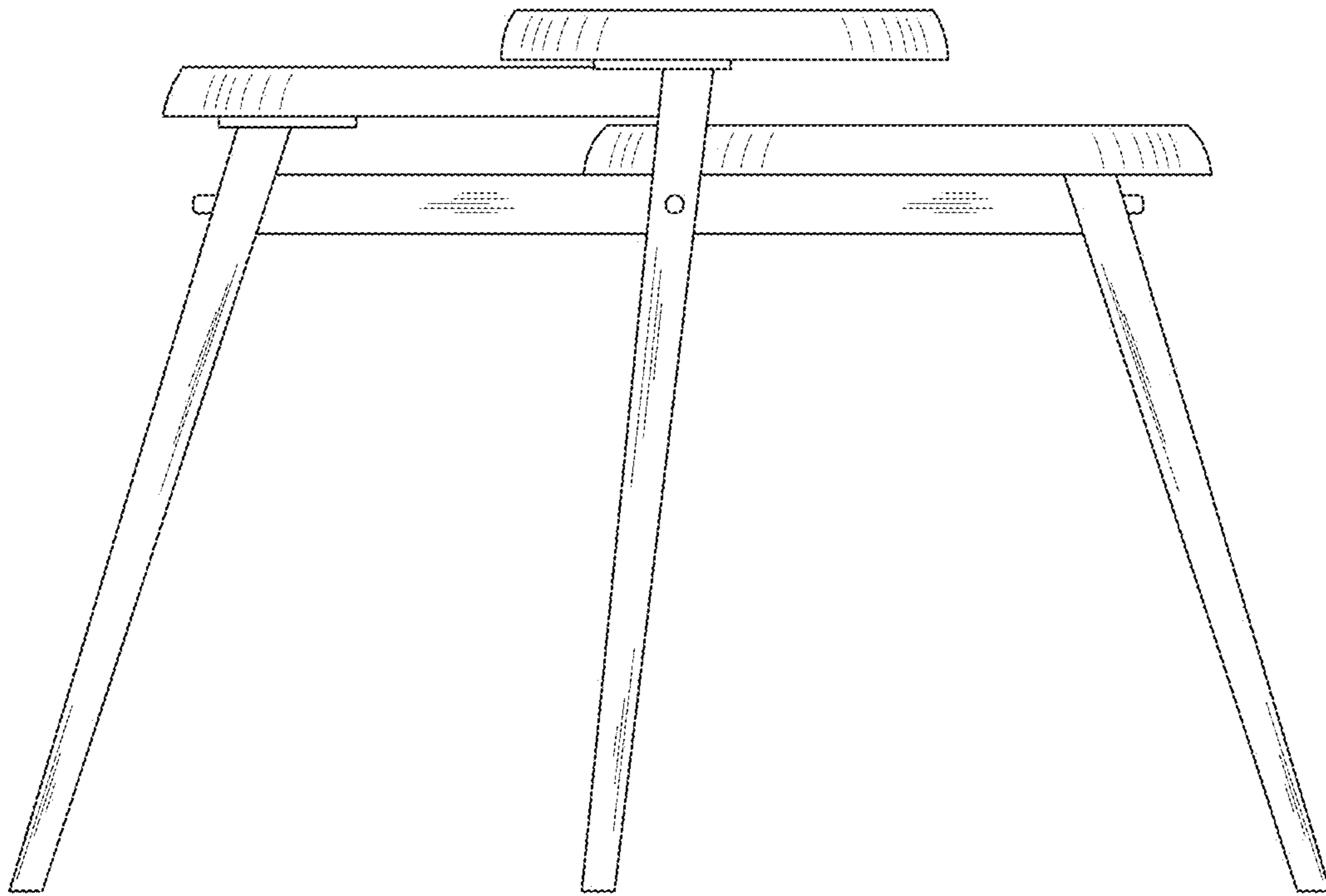


FIG. 2

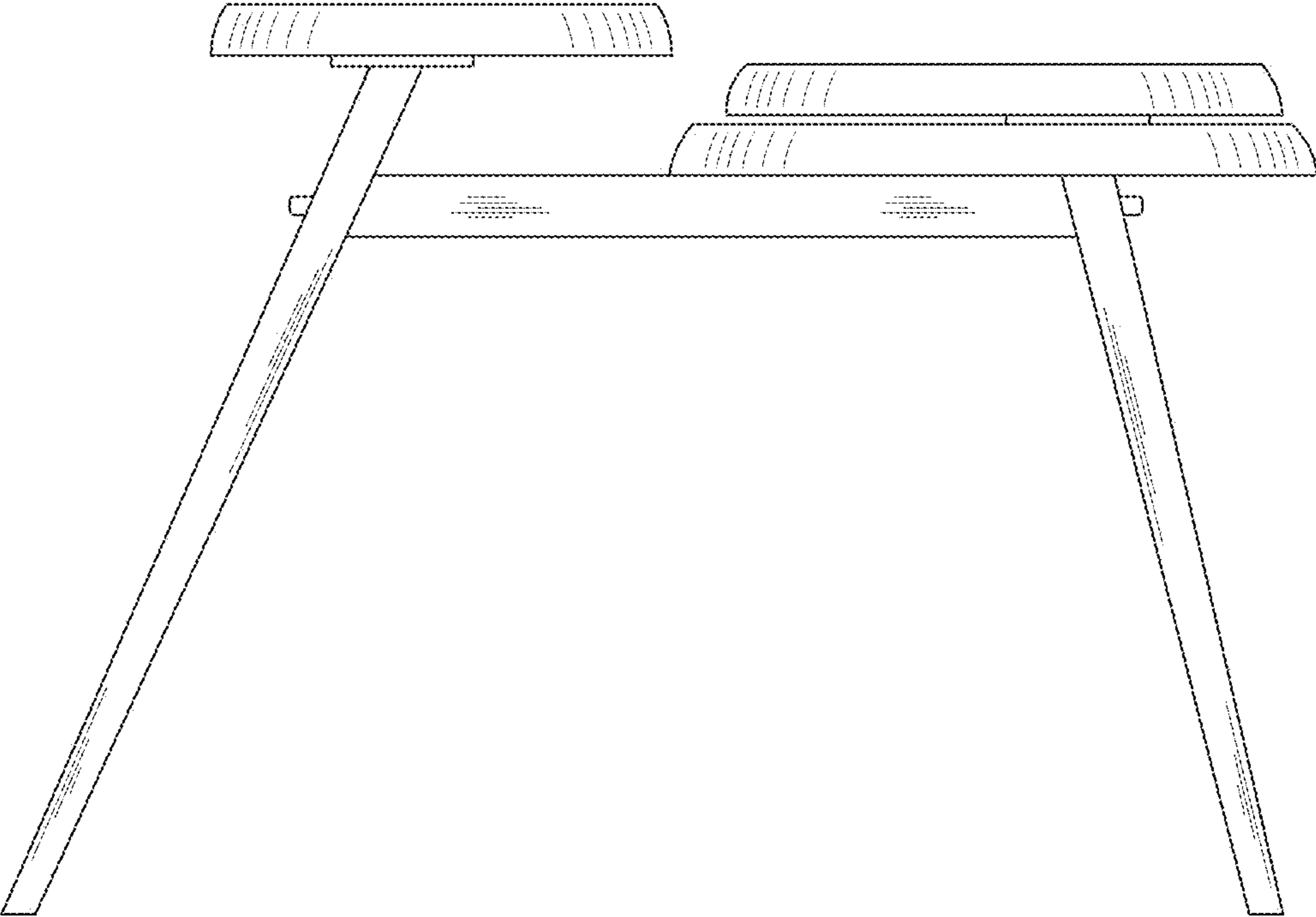


FIG. 3

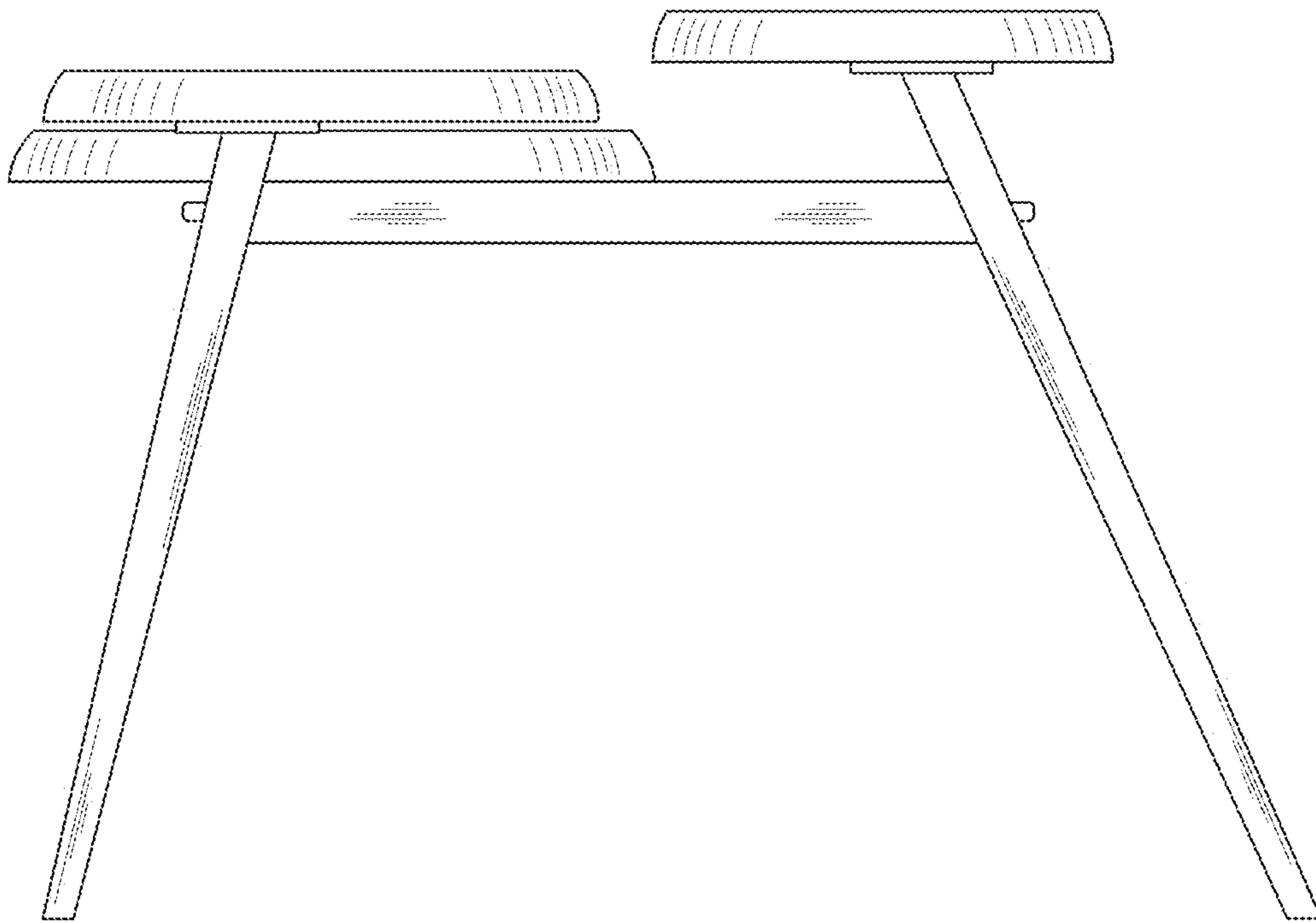


FIG. 4

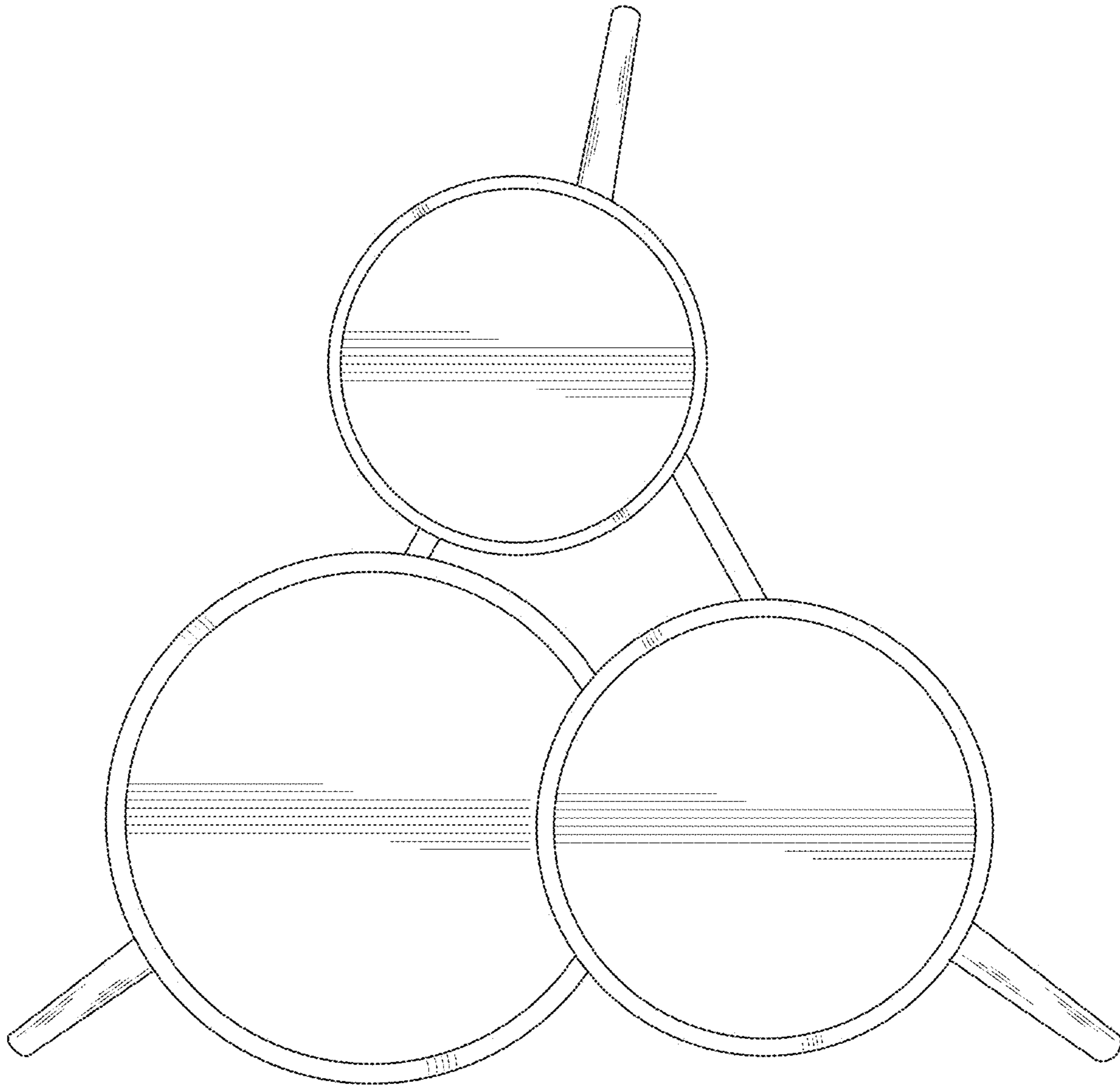


FIG. 5

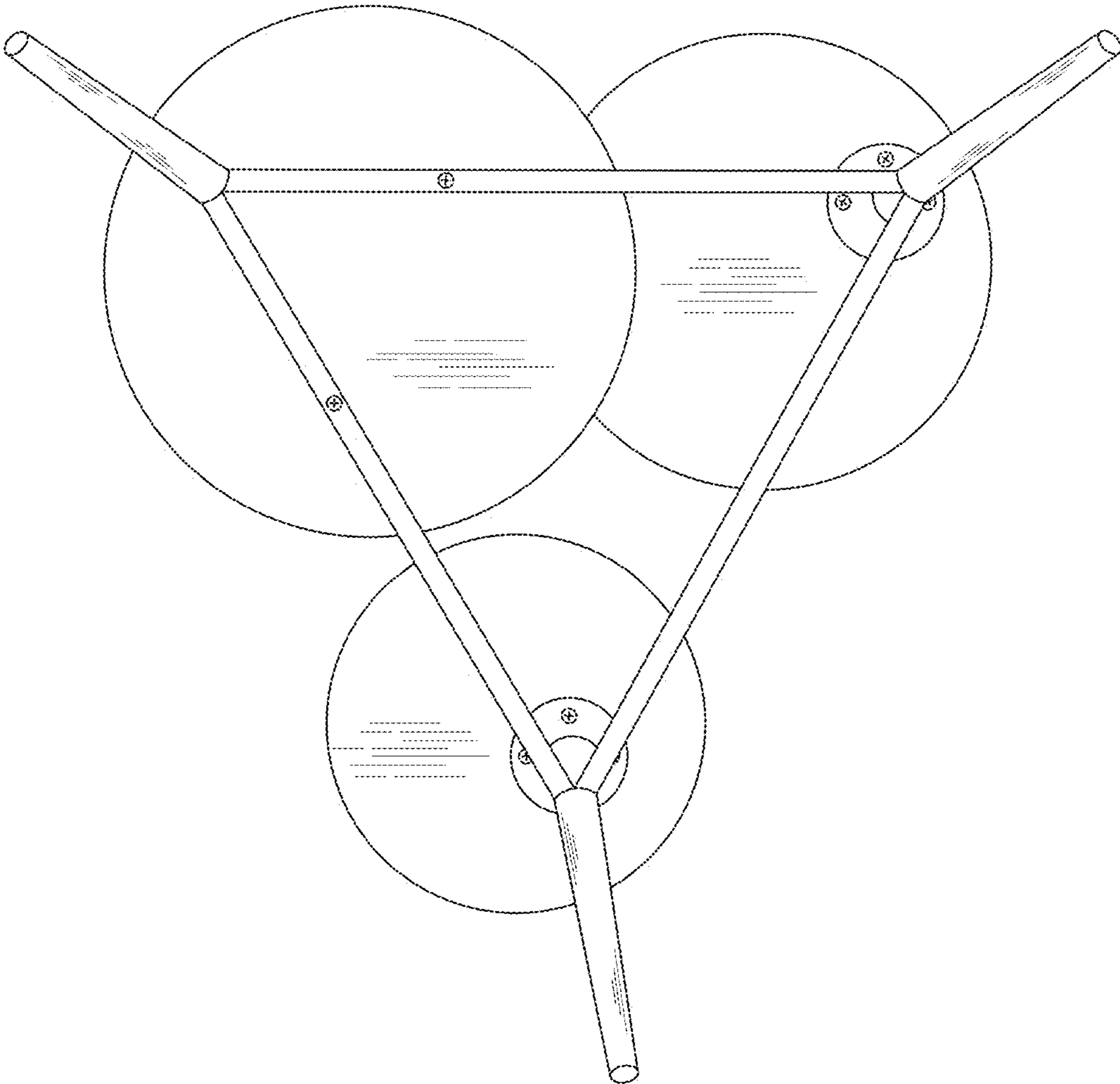


FIG. 6

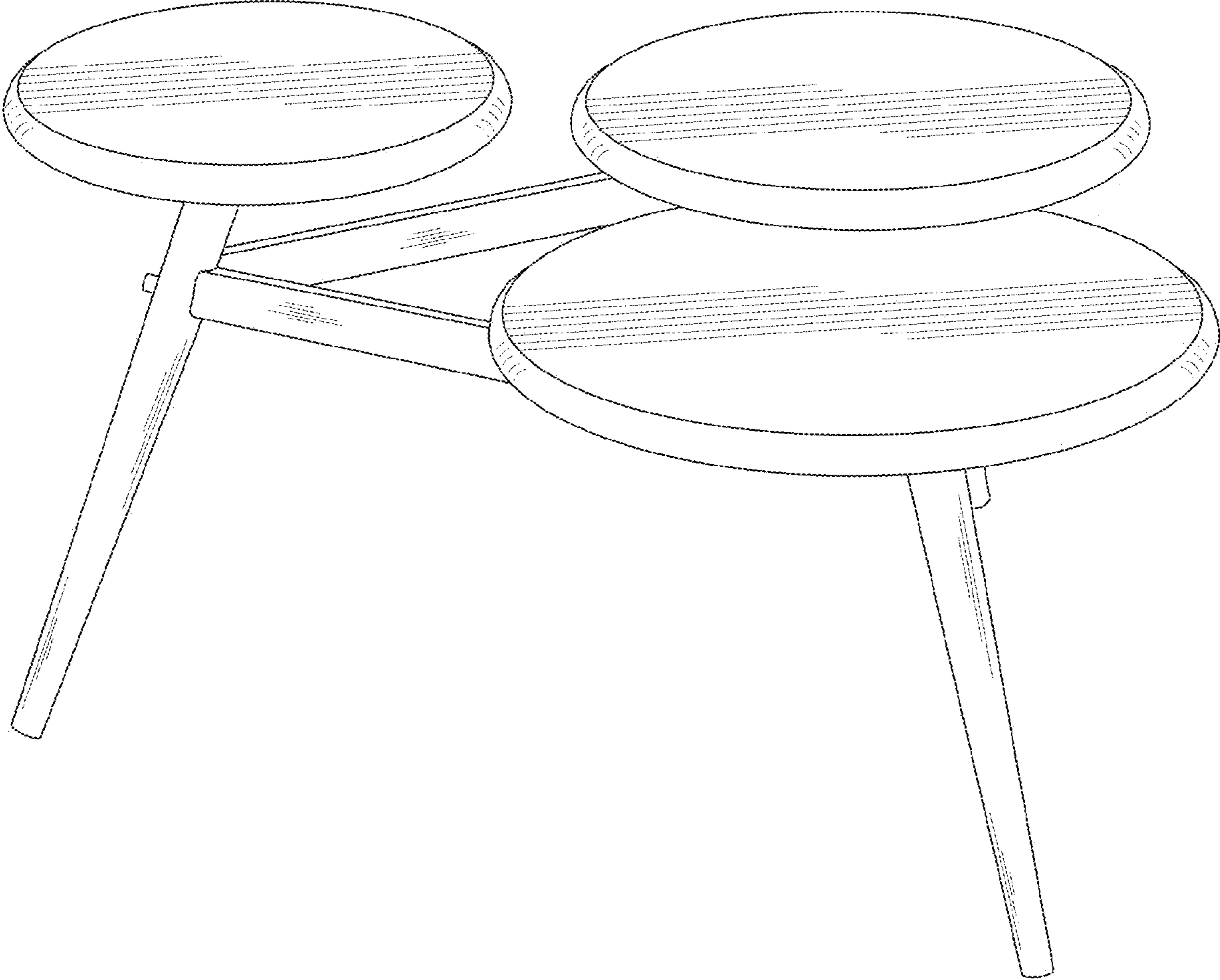


FIG. 7