



US00D917212S

(12) **United States Design Patent**
Du

(10) **Patent No.:** **US D917,212 S**
(45) **Date of Patent:** **** Apr. 27, 2021**

- (54) **CLOTHING RAIL**
- (71) Applicant: **Xiamen Zhongji Industry & Trade Co., Ltd.**, Xiamen (CN)
- (72) Inventor: **Longming Du**, Xiamen (CN)
- (**) Term: **15 Years**
- (21) Appl. No.: **29/721,236**
- (22) Filed: **Jan. 19, 2020**
- (30) **Foreign Application Priority Data**

Nov. 27, 2019 (CN) 201930657601.3

- (51) **LOC (13) Cl.** **20-02**
- (52) **U.S. Cl.**
USPC **D6/681.2**
- (58) **Field of Classification Search**
USPC D6/672, 675, 675.1-675.5, 681, 681.1,
D6/681.2, 681.3, 682.4, 682.6
CPC A47B 43/00; A47B 45/00; A47B 46/00;
A47B 47/00; A47B 47/02; A47B 47/021;
A47B 61/00; A47B 61/02; A47F 5/00;
A47F 5/0031; A47F 5/01; A47F 5/0807;
A47F 5/13; A47F 7/19; A47F 7/24; A47G
25/06
See application file for complete search history.

(56) **References Cited**
U.S. PATENT DOCUMENTS

- 1,661,667 A * 3/1928 Mallach A47F 7/24
135/151
- 2,110,158 A * 3/1938 Keeler A47G 25/0678
211/182
- D131,907 S * 4/1942 Sarvis et al. D6/681
- D142,059 S * 8/1945 Botsford et al. D6/681.1
- D149,816 S * 6/1948 Ivelow et al. D6/681.1
- 2,798,618 A * 7/1957 Singer A47G 25/0664
211/204

- 3,119,497 A * 1/1964 Levy A47G 25/0664
211/204
- 3,303,938 A * 2/1967 Solomon A47F 7/24
211/182
- 3,499,541 A * 3/1970 Mackie A47B 45/00
211/134
- 3,561,609 A * 2/1971 Doherty F16B 7/00
211/206
- 3,620,377 A * 11/1971 Gilbert A47G 25/0664
211/206
- 3,705,731 A * 12/1972 Berchak B62B 3/02
280/651
- 3,918,591 A * 11/1975 Cooper A47F 5/108
211/204
- 4,054,209 A * 10/1977 Solomon A47F 7/24
211/208

(Continued)

Primary Examiner — Steven J Czyz

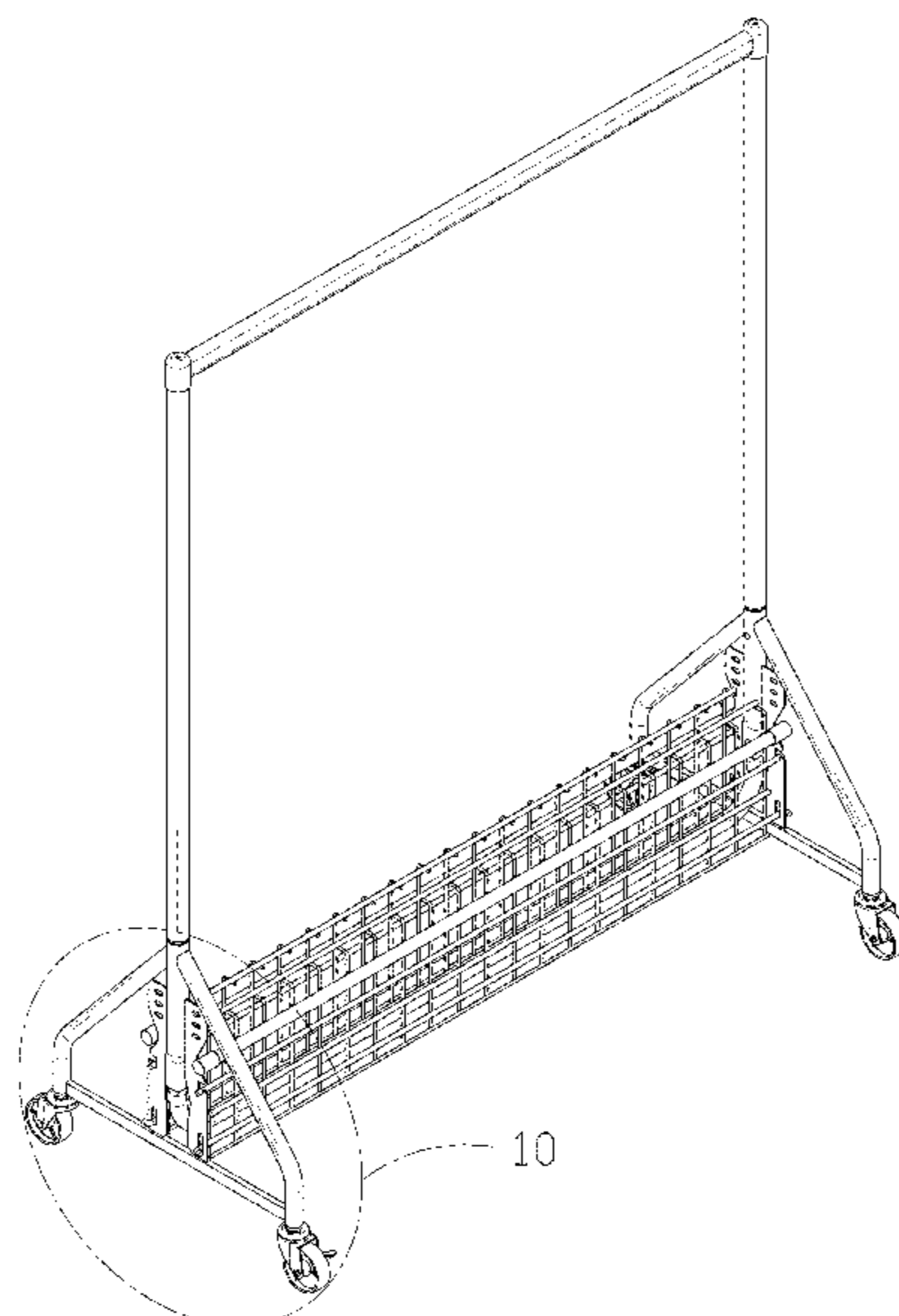
(57) **CLAIM**

The ornamental design for a clothing rail, as shown and described.

DESCRIPTION

FIG. 1 is a front and top perspective view of a clothing rail, showing my new design;
 FIG. 2 is a rear and bottom perspective view thereof;
 FIG. 3 is a front elevational view thereof;
 FIG. 4 is a rear elevational view thereof;
 FIG. 5 is a left side elevational view thereof;
 FIG. 6 is a right side elevational view thereof;
 FIG. 7 is a top plan view thereof;
 FIG. 8 is a bottom plan view thereof; and
 FIG. 9 is a perspective view thereof, showing the rail in an unfolded position; and,
 FIG. 10 is an enlarged view of a portion indicated in FIG. 1. The dash dot dash lines in FIGS. 1 and 10 are for the purpose of depicting the cut line of the enlarged view and form no part of the claim.

1 Claim, 10 Drawing Sheets



(56)

References Cited

U.S. PATENT DOCUMENTS

4,164,288 A *	8/1979	Okazaki	A47F 5/13	211/207	8,672,147 B2 *	3/2014	Lam	A47F 7/18	211/149
5,090,725 A *	2/1992	Feldner	B62B 3/02	211/189	8,936,166 B2 *	1/2015	Hornsby	A47F 5/10	211/85.3
5,617,962 A *	4/1997	Chen	A47G 25/0664	211/204	D736,548 S *	8/2015	Hornsby	D6/681.1	
5,685,440 A *	11/1997	Mason	A47F 5/13	211/189	D749,879 S *	2/2016	Wall	D6/680.3	
5,718,344 A *	2/1998	Joldeson	A47F 5/13	211/182	D753,940 S *	4/2016	Ruiz	D6/681	
D451,304 S *	12/2001	Felsenthal	D6/678.4	211/206	D777,483 S *	1/2017	Bittle	D6/681	
D456,167 S *	4/2002	Harwanko	D6/548	211/195	D785,381 S *	5/2017	Johnson	D6/681	
6,401,948 B1 *	6/2002	Huang	A47F 5/137	211/189	D785,979 S *	5/2017	Snider	D6/675.1	
6,488,160 B2 *	12/2002	Wang	A47F 7/19	211/195	9,648,949 B1 *	5/2017	Penaflo	A47B 81/00	
D470,685 S *	2/2003	Chang	D6/681.1	211/189	D809,835 S *	2/2018	Greenspon	D6/681	
D474,350 S *	5/2003	Sardis	D6/681.1	211/189	D819,374 S *	6/2018	Kuehn	D6/681.2	
D476,167 S *	6/2003	Klein	D6/681.1	211/189	D827,342 S *	9/2018	Stukenberg	D6/681	
6,644,484 B1 *	11/2003	Sardis	A47B 43/00	211/189	D829,473 S *	10/2018	Mical	D6/681	
D491,742 S *	6/2004	Harwanko	D6/681.1	211/189	10,264,878 B1 *	4/2019	Liu	A47B 88/40	
7,077,277 B2 *	7/2006	Wang	A47B 91/02	211/189	10,337,136 B1 *	7/2019	Fallah	A47B 61/02	
D546,013 S *	7/2007	Pong	D32/58	211/189	D860,689 S *	9/2019	Davis	D6/672	
D613,965 S *	4/2010	Tertel	D6/675.5	211/189	D874,191 S *	2/2020	Qi	D6/664	
7,946,434 B1 *	5/2011	Greenspon	A47G 25/0685	211/189	D887,188 S *	6/2020	Felsenthal	D6/681.2	
				211/85.3	211/85.3	D889,171 S *	7/2020	Cao	D6/681.2	
						2007/0163974 A1 *	7/2007	Lai	211/85.3	
						2007/0272642 A1 *	11/2007	Baptiste	A47B 43/00	
										211/201	
						2008/0029473 A1 *	2/2008	Hu	A47G 25/0664	
										211/206	
						2015/0008201 A1 *	1/2015	Qiang		
						2015/0176899 A1 *	6/2015	Jacques	A47B 61/04	
										211/85.7	
						2018/0160801 A1 *	6/2018	Felsenthal	A47B 47/00	

* cited by examiner

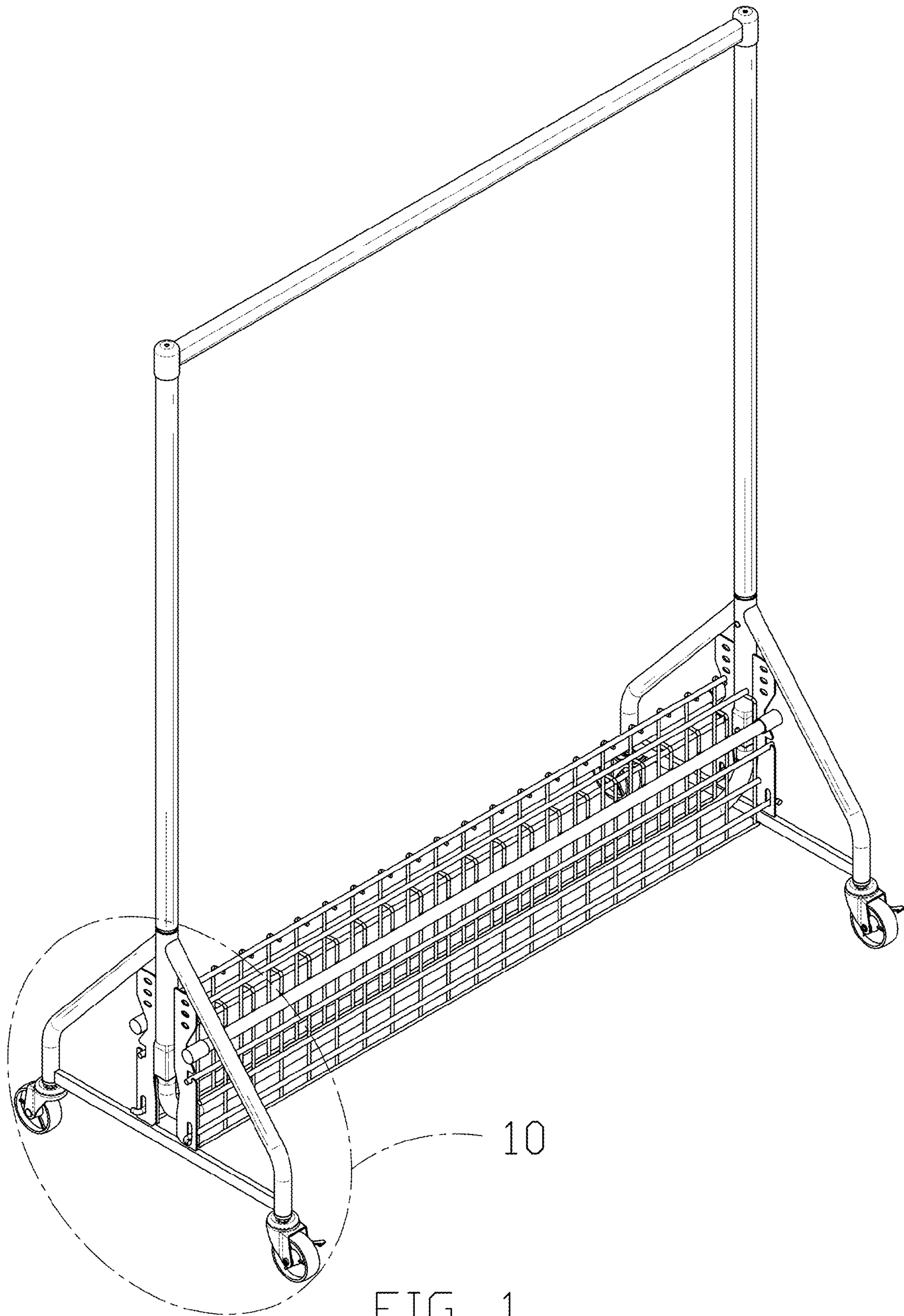


FIG. 1

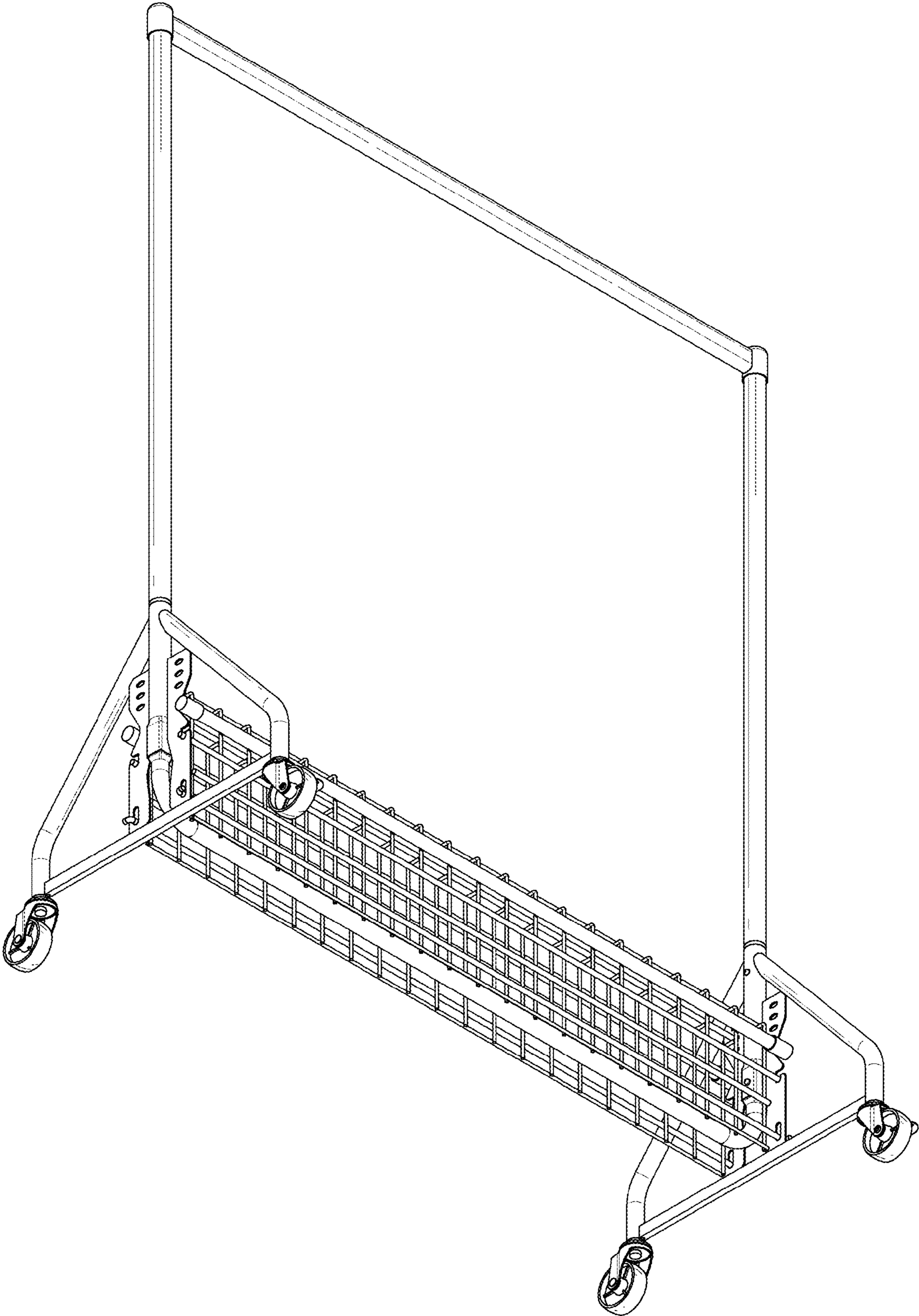


FIG. 2

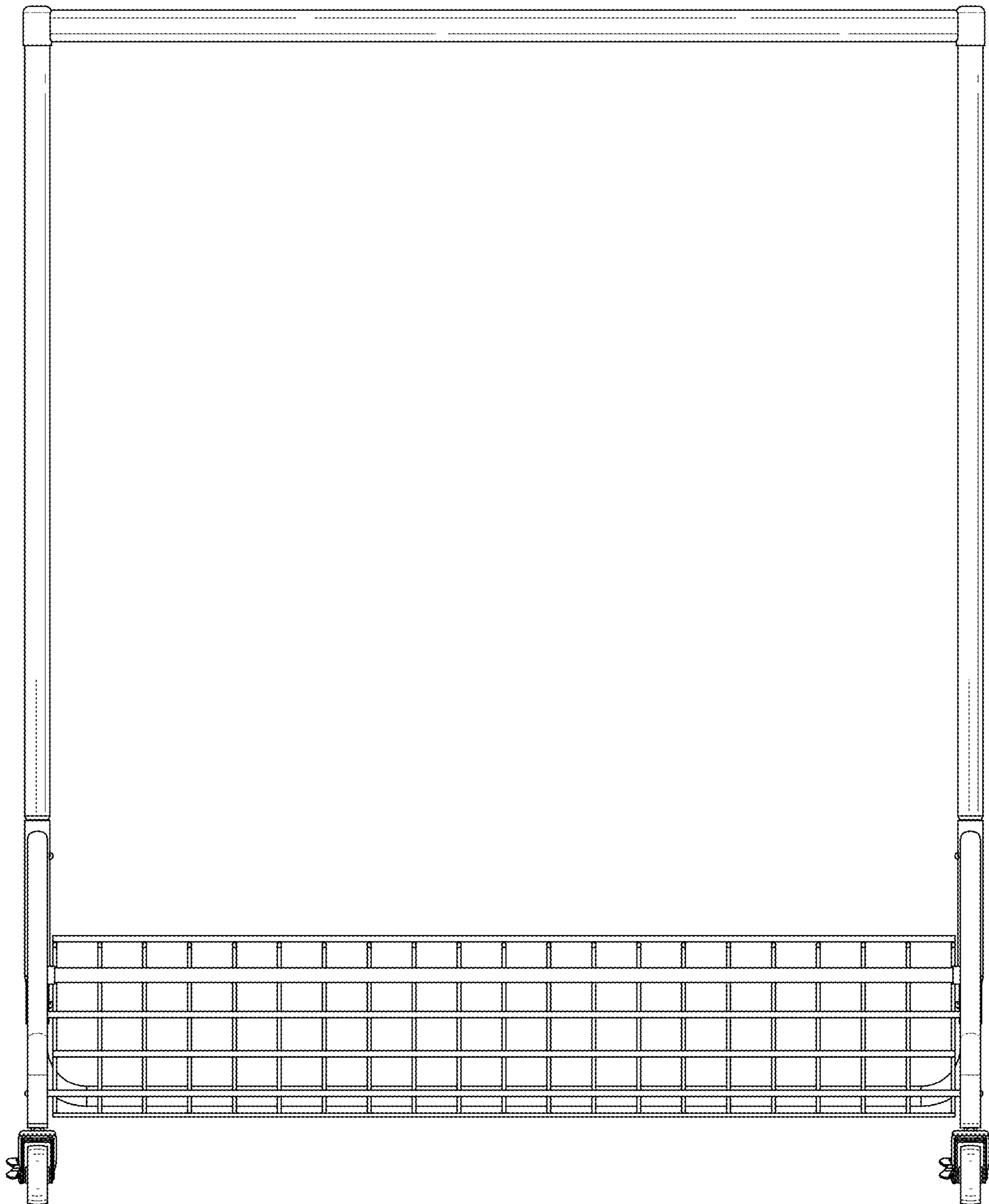


FIG. 3

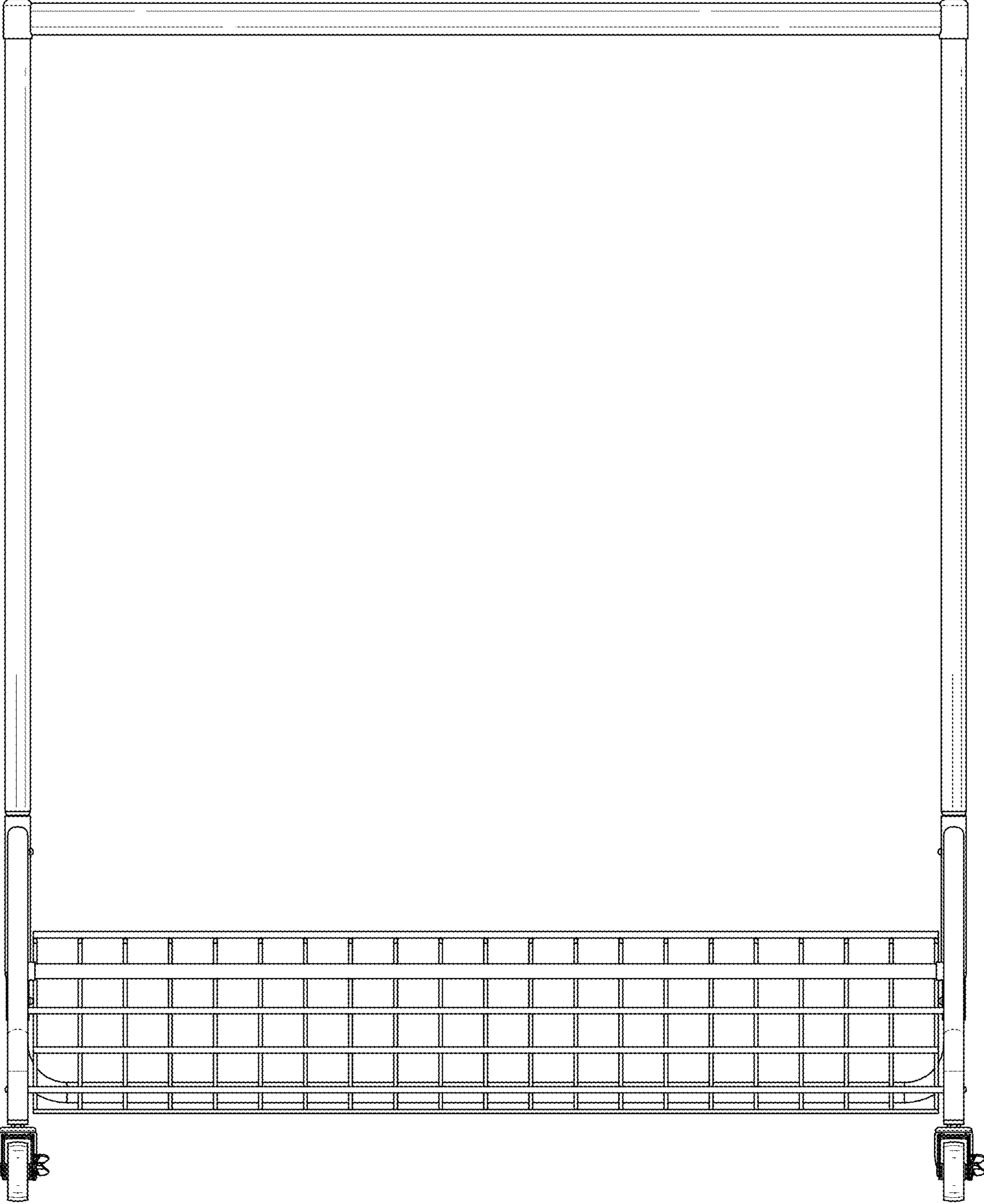


FIG. 4

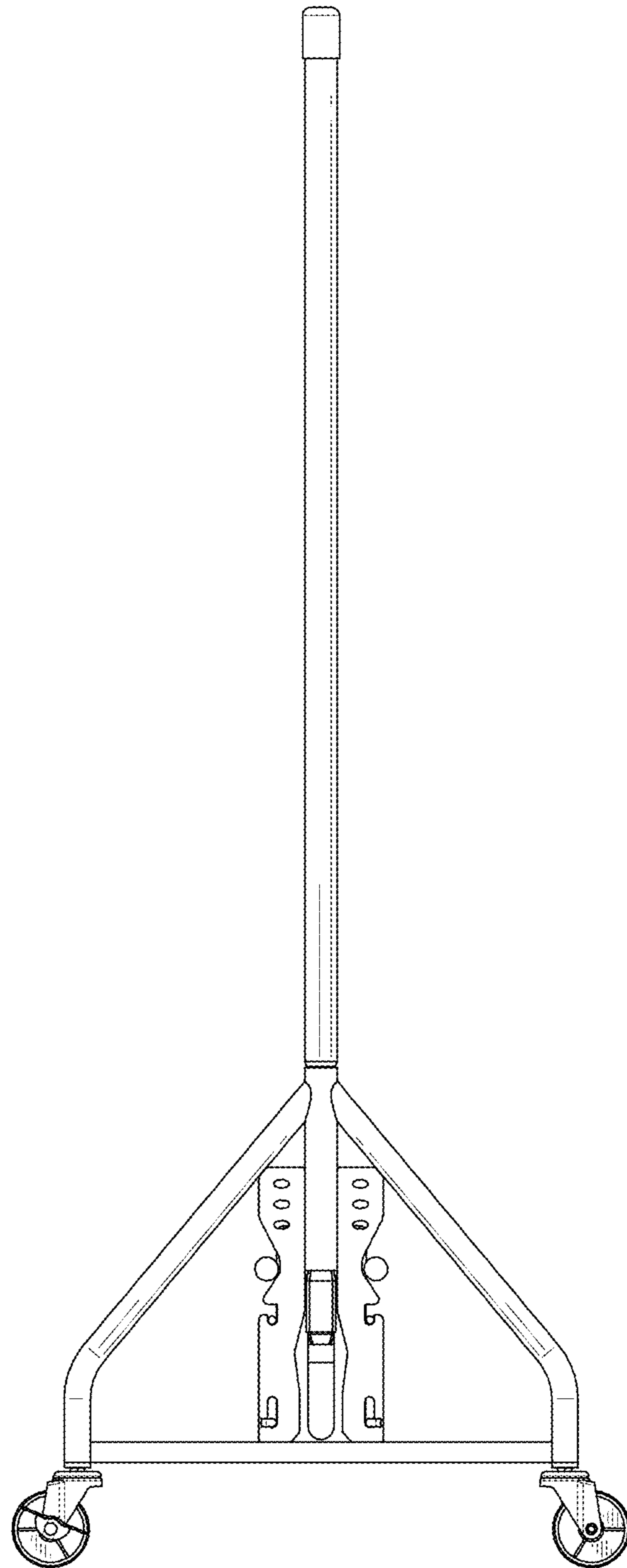


FIG. 5

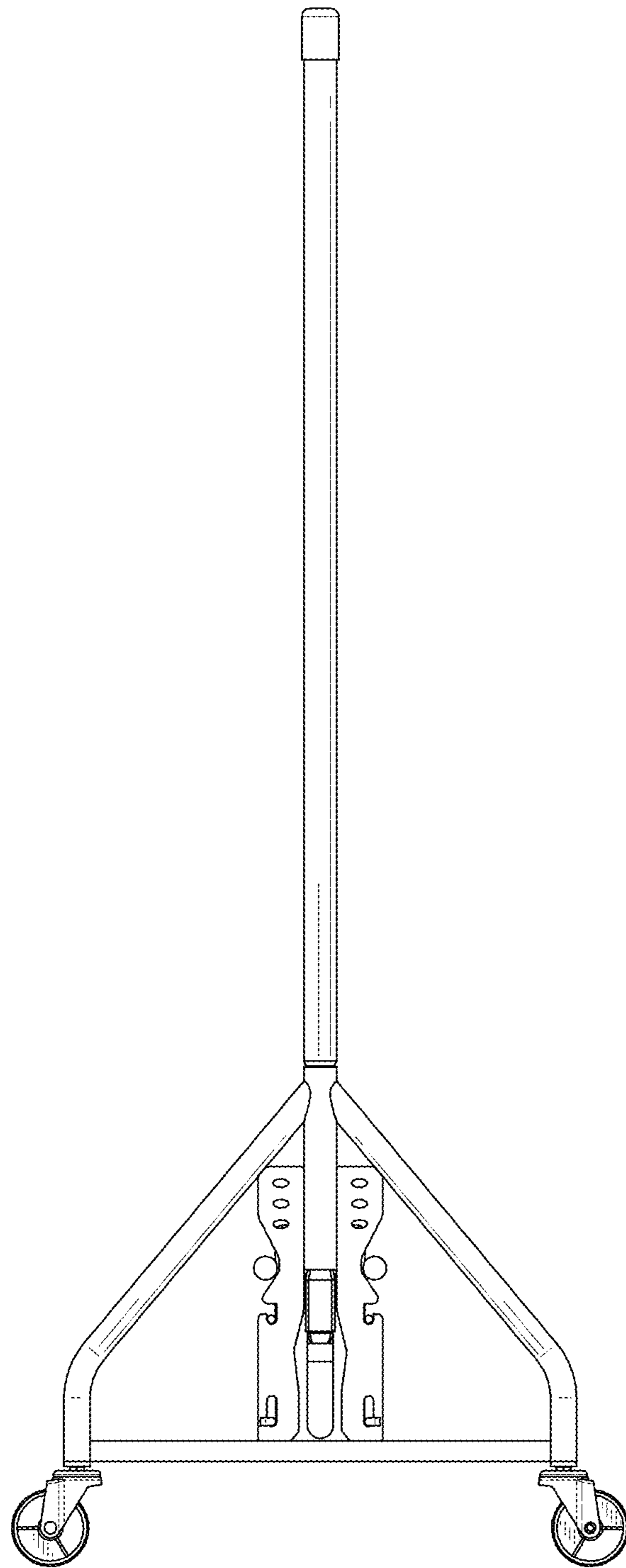


FIG. 6

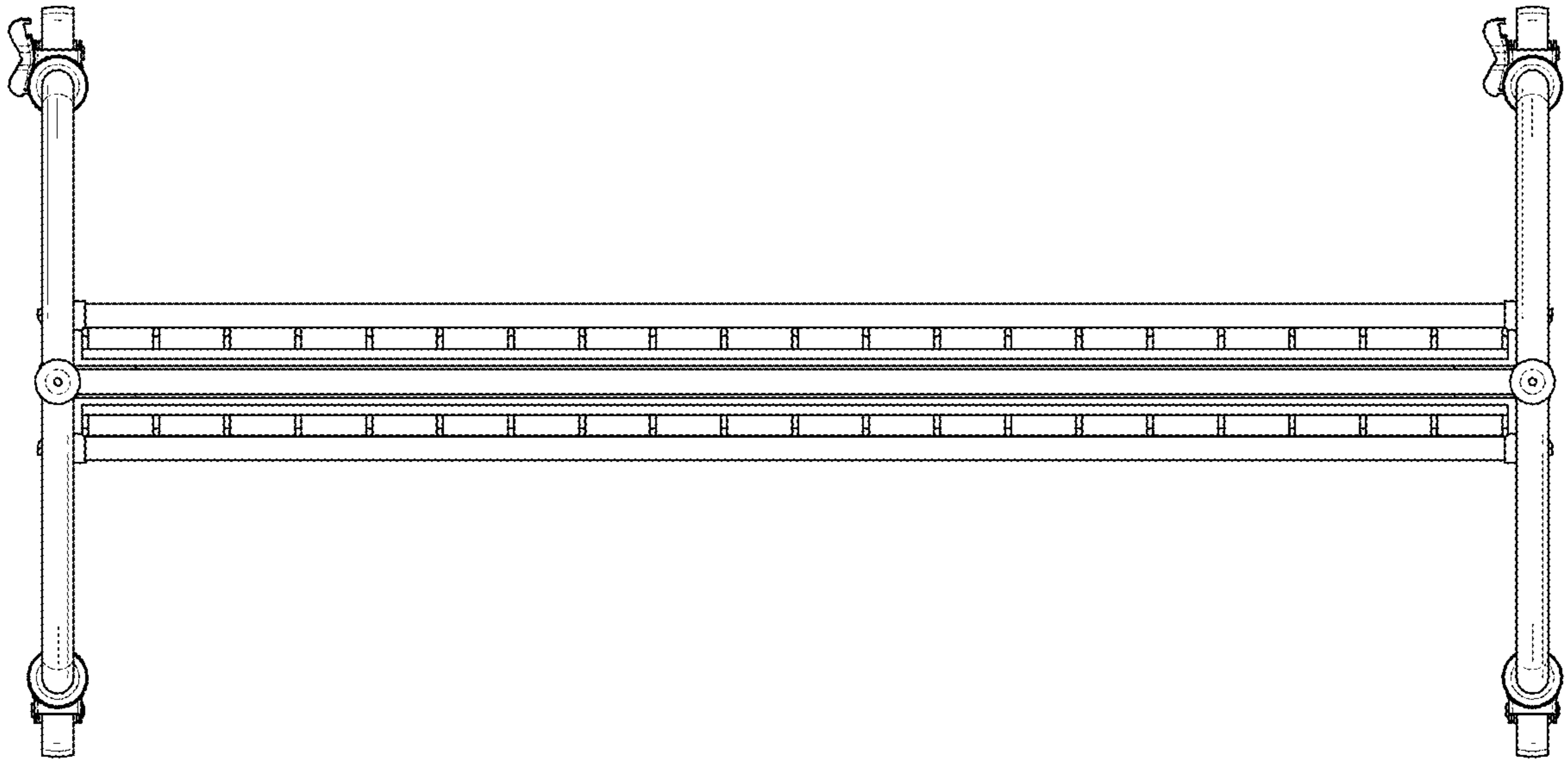


FIG. 7

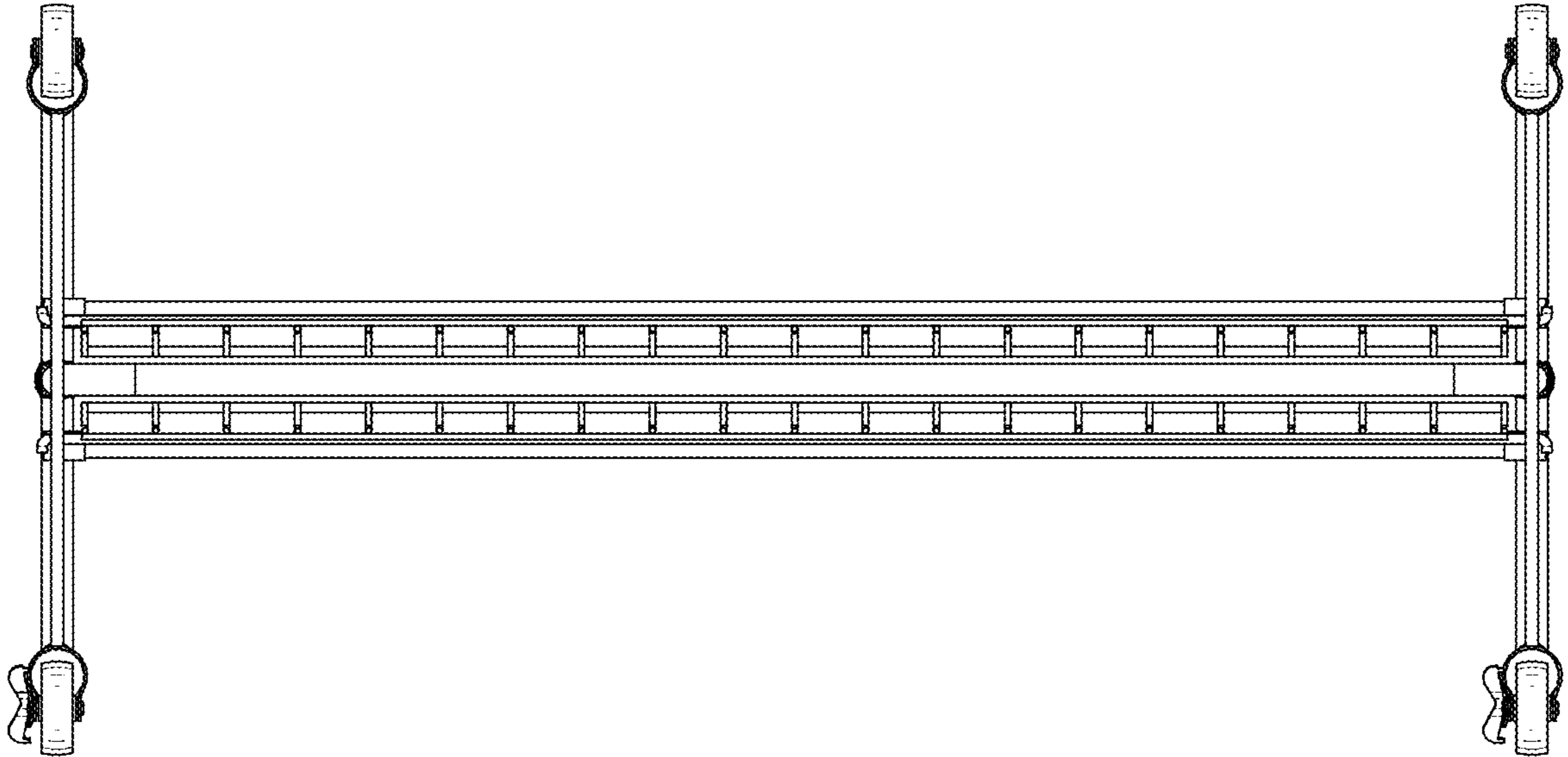


FIG. 8

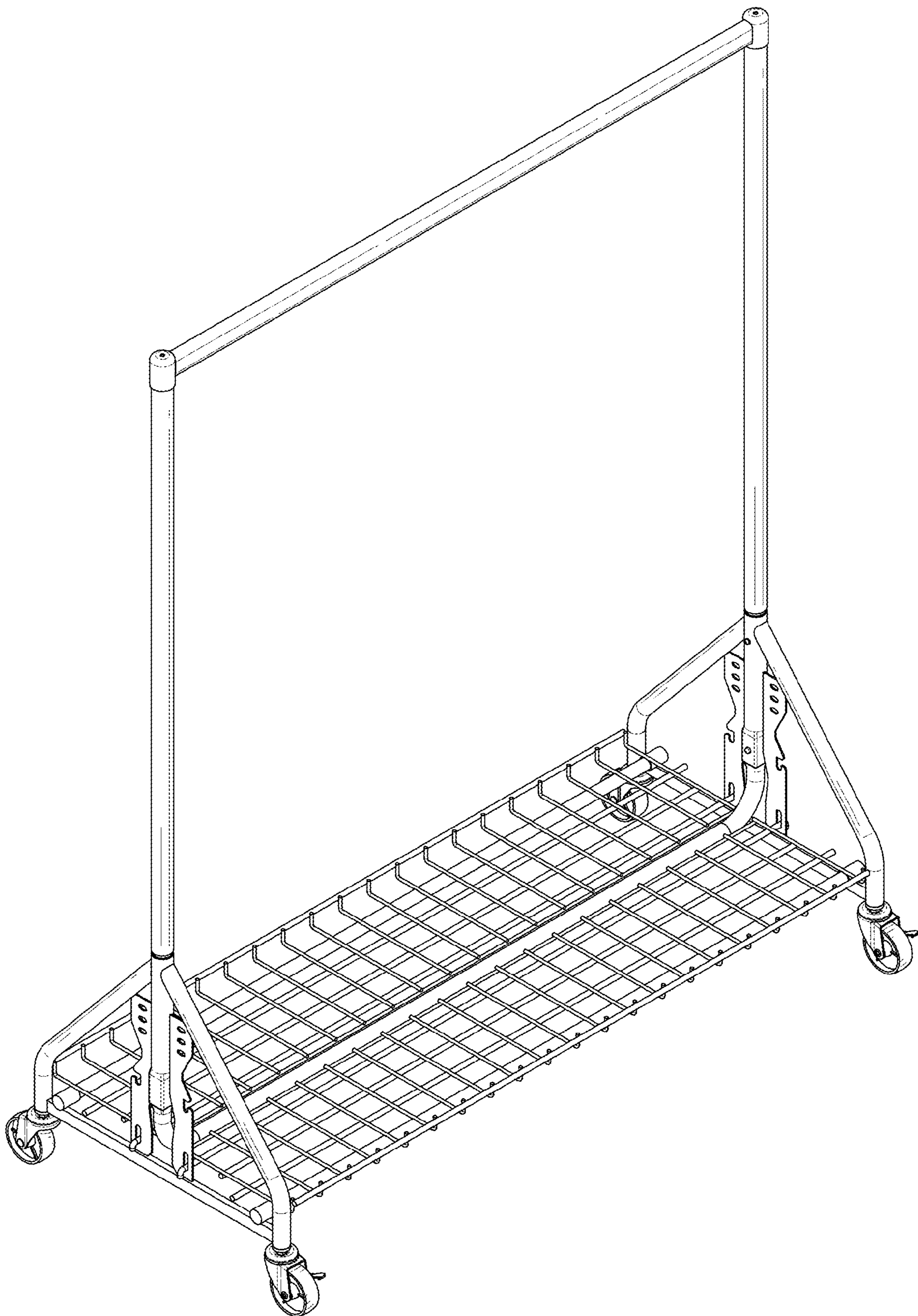


FIG. 9

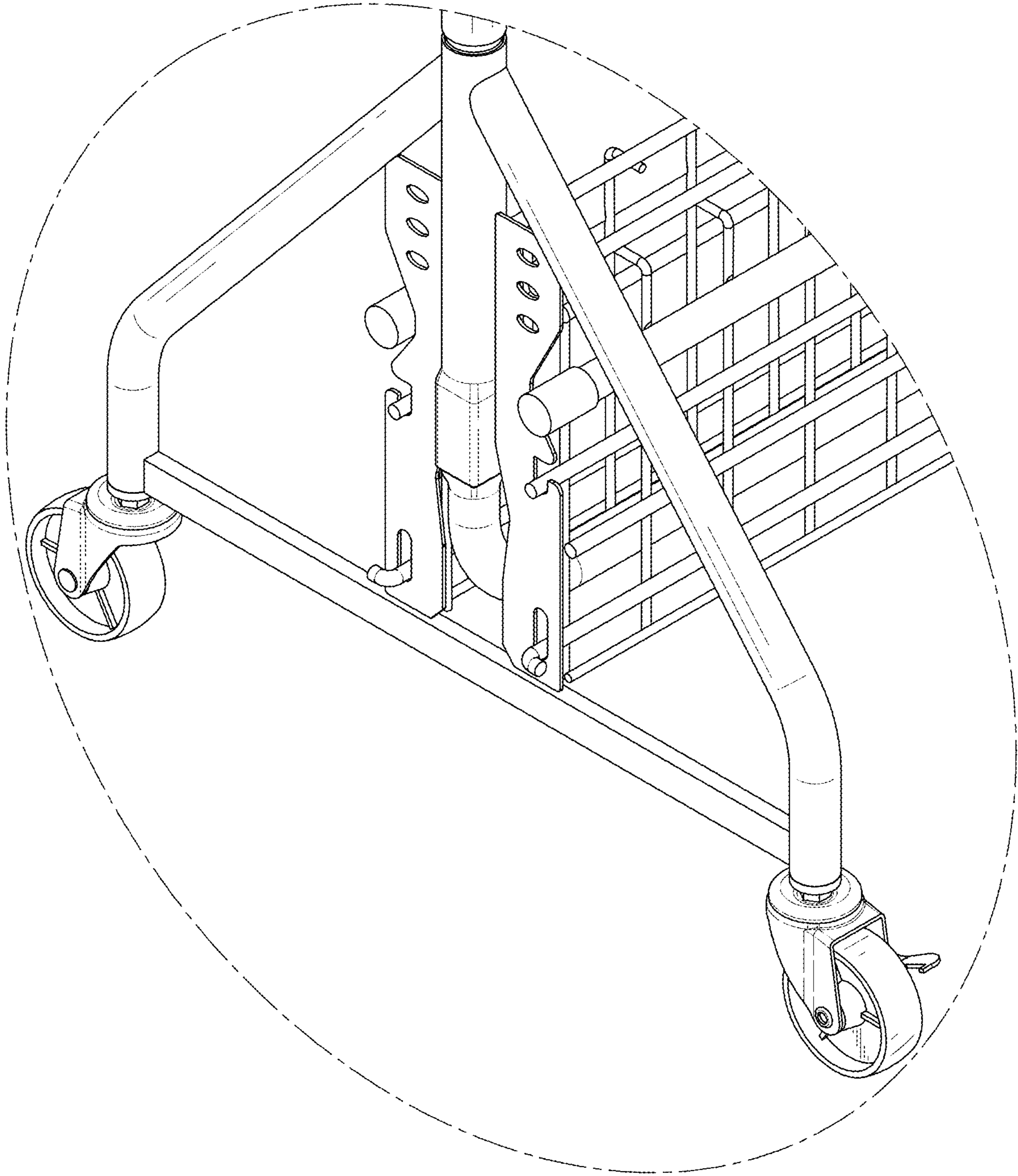


FIG. 10