



US00D917209S

(12) **United States Design Patent** (10) **Patent No.:** **US D917,209 S**
Johnson et al. (45) **Date of Patent:** **** Apr. 27, 2021**

- (54) **DISPLAY UNIT** 2,998,107 A 8/1961 Zimmerla
 - (71) Applicant: **Target Brands, Inc.**, Minneapolis, MN (US) D192,623 S 4/1962 De Nys
 - 3,081,718 A * 3/1963 Shoffner A47B 96/04 108/108
 - 3,297,374 A * 1/1967 Radek A47F 5/103 312/108
 - (72) Inventors: **Jason W. Johnson**, Wayzata, MN (US); 3,667,826 A 6/1972 Wood et al.
 - Blake M. Johnson**, St. Paul, MN (US); D231,760 S 6/1974 Molzen
 - Jeremiah J. Albrecht**, Minneapolis, MN (US) 4,035,941 A * 7/1977 Deffner G09F 13/12 40/219
 - (73) Assignee: **Target Brands, Inc.**, Minneapolis, MN (US) D279,528 S 7/1985 Kingsley
 - D286,834 S 11/1986 Wilken
 - D296,503 S * 7/1988 Bell D6/675
- (Continued)

(**) Term: **15 Years**

(21) Appl. No.: **29/722,870**

(22) Filed: **Feb. 3, 2020**

Related U.S. Application Data

(63) Continuation of application No. 16/196,146, filed on Nov. 20, 2018.

(51) **LOC (13) Cl.** **20-02**

(52) **U.S. Cl.**
USPC **D6/672**

(58) **Field of Classification Search**
USPC D6/672, 673, 675, 675.1-675.5, 681, D6/681.1, 681.2, 681.3, 382, 393, 394, D6/395, 718.13
CPC A47F 5/10; A47F 5/0043; A47F 5/103; A47F 5/0025; A47F 5/0062; A47F 3/004; A47F 3/06; G09F 15/0068

See application file for complete search history.

(56) **References Cited**

U.S. PATENT DOCUMENTS

- 1,477,428 A 12/1923 Corbett
- D93,082 S 8/1934 Wright
- D122,189 S 8/1940 Vaughn
- D156,544 S 12/1949 Lebow
- D158,777 S 5/1950 Malkin
- D173,627 S 12/1954 Nichols
- 2,919,034 A 12/1959 Levy

OTHER PUBLICATIONS

LivDouble Headboard, [https://www.target.com/p/queen-liv-double-panel-metal-headboard-black-brookside-bed/-/A-81523055?ref=tgt_adv_XS000000&AFID=google_pla_df&fndsrc=tgtao&DFA=71700000012577538&CPNG=PLA_Furniture%2BShopping&adgroup=SC_Furniture&LID=700000001170770pgs&LNM=PRODUCT_GROUP&network=g&\(Year:2020\).](https://www.target.com/p/queen-liv-double-panel-metal-headboard-black-brookside-bed/-/A-81523055?ref=tgt_adv_XS000000&AFID=google_pla_df&fndsrc=tgtao&DFA=71700000012577538&CPNG=PLA_Furniture%2BShopping&adgroup=SC_Furniture&LID=700000001170770pgs&LNM=PRODUCT_GROUP&network=g&(Year:2020).)*

Primary Examiner — Steven J Czyz

(74) *Attorney, Agent, or Firm* — Leanne Taveggia Farrell; Westman, Champlin & Koehler, P.A.

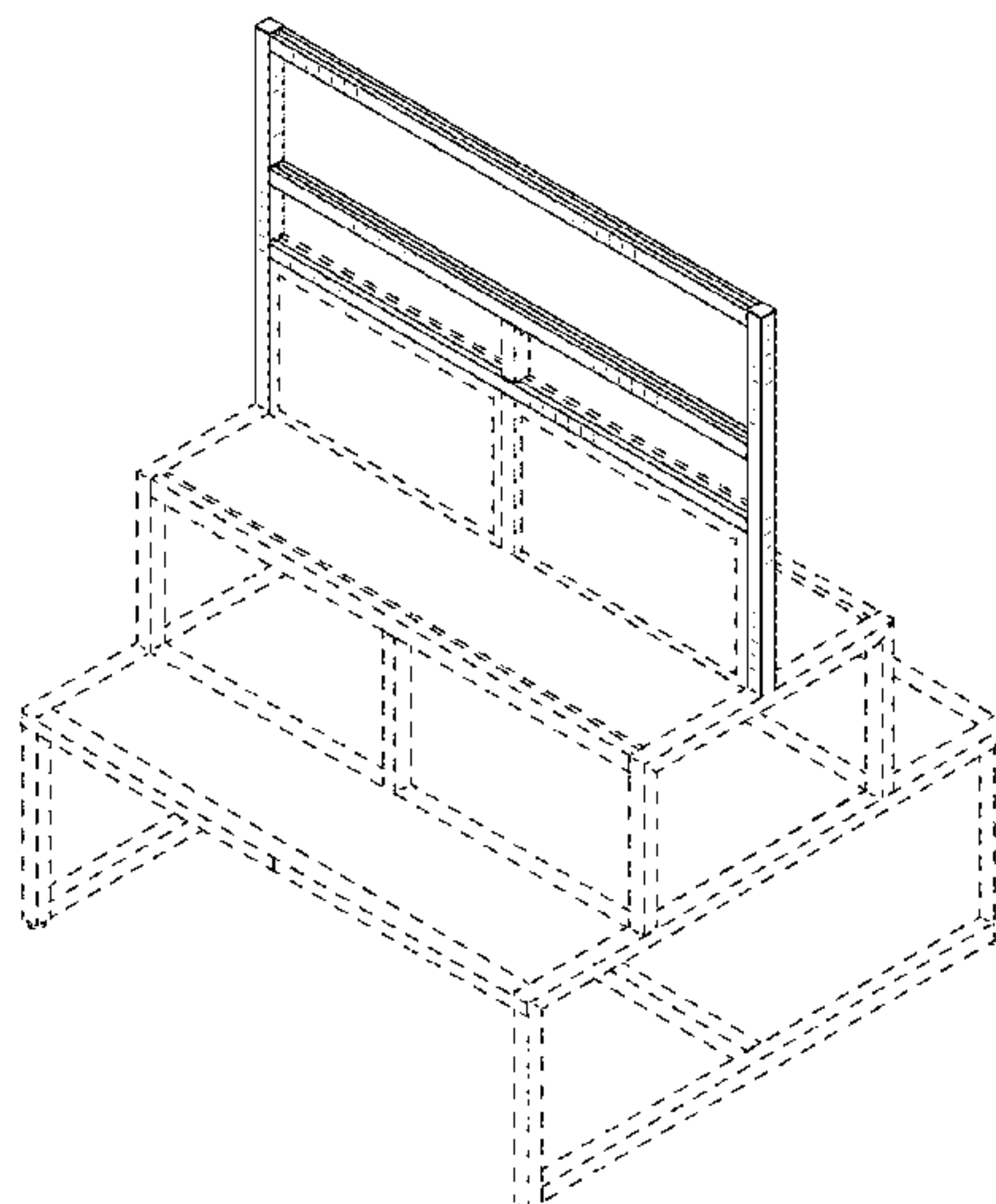
(57) **CLAIM**

The ornamental design for a display unit, as shown and described.

DESCRIPTION

FIG. 1 is a perspective view of a display unit showing our new design;
FIG. 2 is a front view thereof;
FIG. 3 is a back view thereof;
FIG. 4 is a left side view thereof, the right side view being identical; and,
FIG. 5 is a top view thereof.
The broken lines depict portions of the article that form no part of the claimed design.

1 Claim, 5 Drawing Sheets



US D917,209 S

(56)

References Cited

U.S. PATENT DOCUMENTS

D297,084 S	8/1988	Silver		7,946,435 B2 *	5/2011	Clark	A47F 5/103 211/189
4,850,285 A *	7/1989	Suttles	A47F 5/103 108/108	7,988,000 B2	8/2011	Clark et al.	
D302,632 S *	8/1989	Rees	D6/683.1	D712,181 S *	9/2014	Martell	D6/675.1
4,925,038 A	5/1990	Gajewski		8,919,583 B2	12/2014	Brasher	
5,014,862 A *	5/1991	Bustos	A47F 5/103 211/189	8,959,813 B2	2/2015	Denby et al.	
5,048,699 A *	9/1991	Trevaskis	A47F 5/12 211/59.2	D732,318 S *	6/2015	Engebretson	D6/657
D326,965 S *	6/1992	Allen	D6/682.6	D732,853 S *	6/2015	Engebretson	D6/657
5,272,991 A *	12/1993	Carrigan, Jr.	A47B 87/0207 108/108	D732,854 S *	6/2015	Engebretson	D6/657
5,314,080 A	5/1994	Wentworth		D734,958 S	7/2015	Gosling et al.	
5,328,039 A *	7/1994	Heimendinger	A47F 5/103 211/183	9,119,487 B2 *	9/2015	Angvall	A47F 7/24
D352,190 S *	11/1994	Tucker	D6/681.1	D758,105 S	6/2016	Taraczky	
D372,815 S	8/1996	Bird et al.		D794,983 S *	8/2017	Peota	D6/675.1
5,553,723 A *	9/1996	Stein	A47F 1/03 211/133.1	10,104,988 B2	10/2018	Knudsen	
5,653,349 A *	8/1997	Dana	F16B 12/34 211/189	D834,356 S *	11/2018	Chapuis	D6/672
D393,554 S	4/1998	Baluk et al.		D834,859 S	12/2018	Hawkins	
D398,461 S	9/1998	Baluk et al.		D841,370 S *	2/2019	Theisen	D6/657
D398,462 S	9/1998	Baluk et al.		D844,349 S	4/2019	Burton et al.	
5,881,892 A	3/1999	Loo		D845,683 S *	4/2019	Pedersen	D6/675
5,918,750 A	7/1999	Jackson		D848,768 S *	5/2019	Johnson	D6/662.1
6,029,833 A *	2/2000	Yeh	A47F 5/0838 108/108	D853,145 S *	7/2019	Lee	D6/393
D427,824 S	7/2000	Osburn et al.		D859,038 S *	9/2019	Davis	D6/675
D431,396 S	10/2000	Guttman et al.		10,448,755 B1 *	10/2019	McDowell	A47F 5/103
6,364,137 B1 *	4/2002	Glauth	A47F 5/137 211/126.9	D866,226 S *	11/2019	Burton	D6/672
6,427,857 B1	8/2002	Adams et al.		10,477,984 B2	11/2019	Arnold	
6,561,366 B2	5/2003	Kim-So		D872,489 S *	1/2020	Ruiter	D6/332
6,607,083 B1 *	8/2003	Webb	A47F 1/12 108/107	D878,834 S *	3/2020	Johnson	A47F 3/004 D6/683.1
6,783,012 B2 *	8/2004	Webb	A47F 1/12 108/107	D898,485 S *	10/2020	Pedersen	D6/675
D591,083 S *	4/2009	Singler	D6/672	D900,515 S *	11/2020	Johnson	D6/675.1
7,540,510 B2 *	6/2009	Sparkowski	A47F 5/137 108/106	2003/0196972 A1	10/2003	Webb	
D602,713 S *	10/2009	Stukenberg	D6/681.1	2005/0000924 A1	1/2005	Webb	
D624,334 S	9/2010	Linder		2005/0039390 A1 *	2/2005	Sharples	A47F 5/10 47/39
7,810,658 B2	10/2010	Clark et al.		2005/0230338 A1 *	10/2005	Farinola	A47F 5/0838 211/186
D637,422 S *	5/2011	Theisen	D6/675.1	2007/0170139 A1 *	7/2007	Clark	A47F 5/137 211/189
				2008/0128414 A1	6/2008	Braun	
				2014/0259831 A1 *	9/2014	Denby	G09F 15/0068 40/606.03
				2016/0045041 A1 *	2/2016	Knudsen	E04F 11/16 211/59.4
				2016/0286985 A1	10/2016	Shamp et al.	
				2018/0184816 A1 *	7/2018	Bellar	A47F 5/005
				2018/0293919 A1	10/2018	Ertl et al.	
				2019/0021521 A1	1/2019	Kula	
				2019/0307266 A1 *	10/2019	Santarelli	A47F 5/105

* cited by examiner

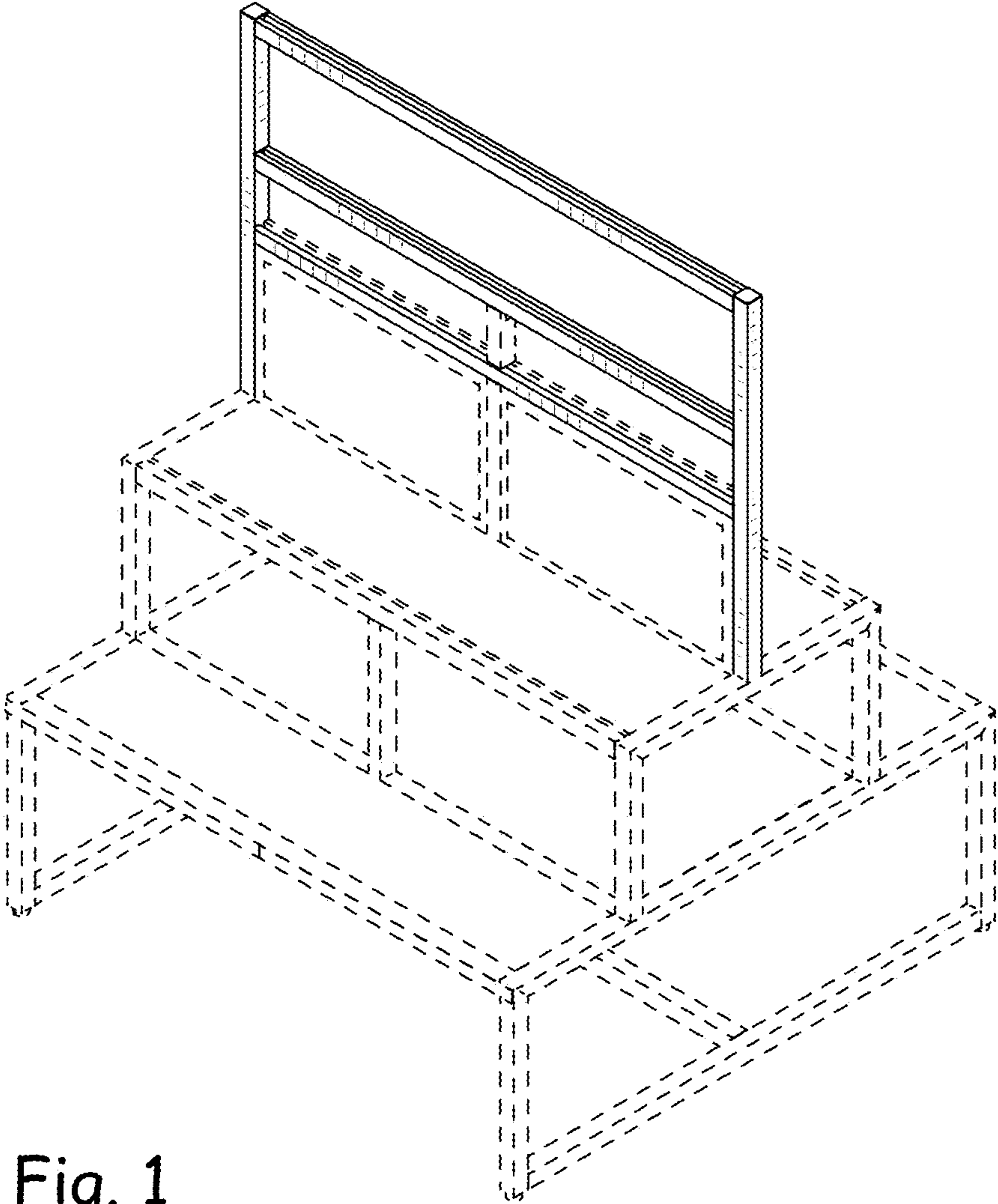


Fig. 1

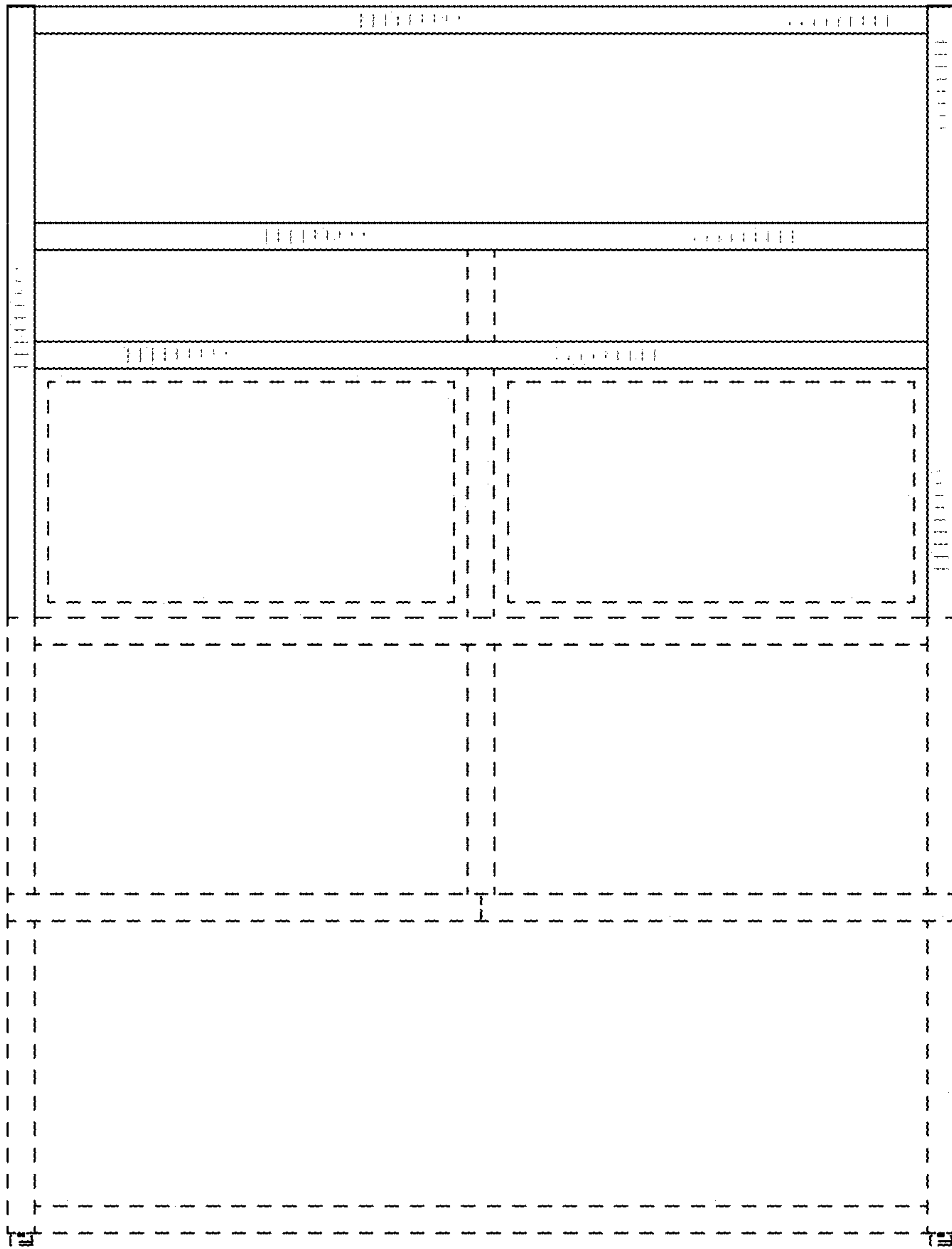


Fig. 2

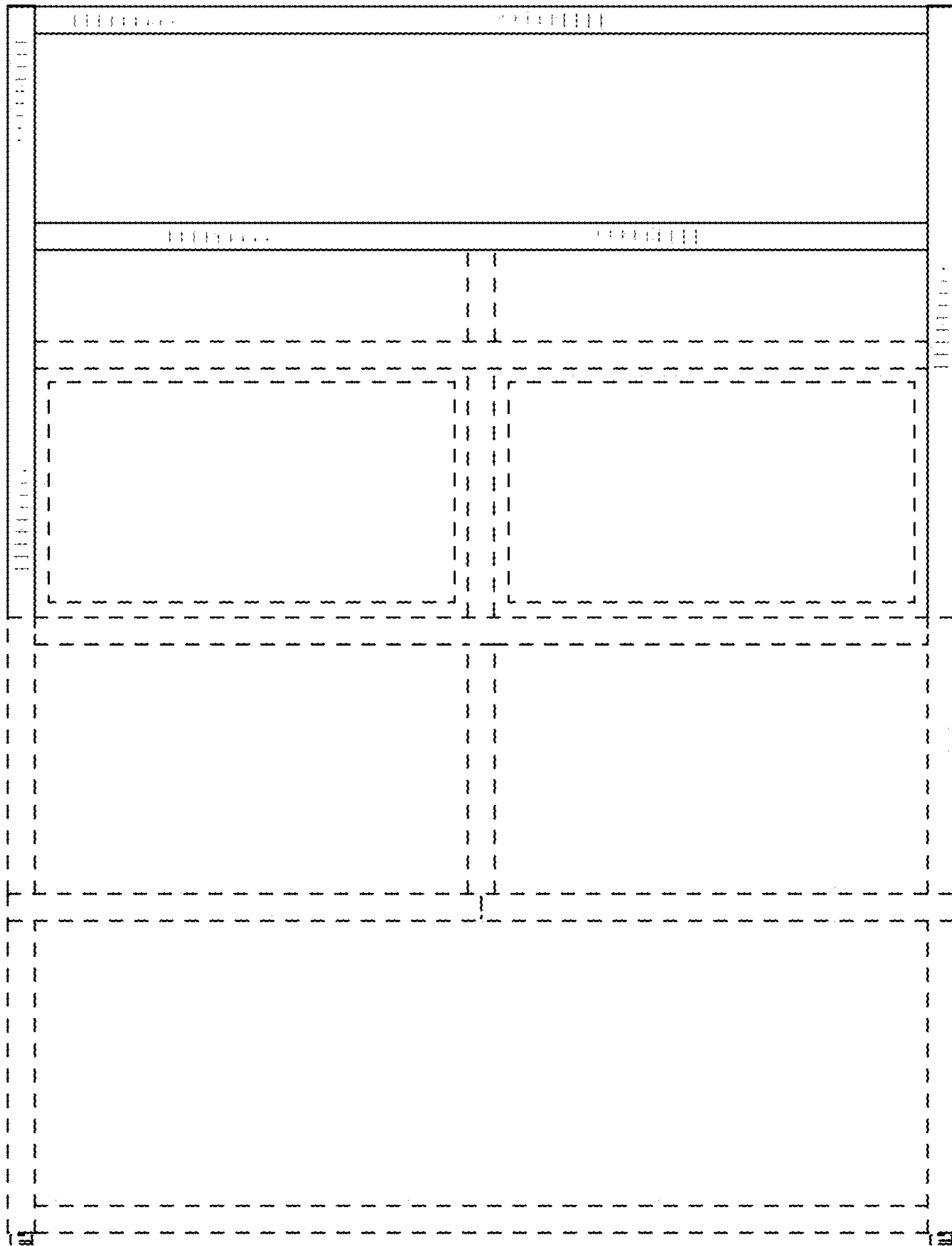


Fig. 3

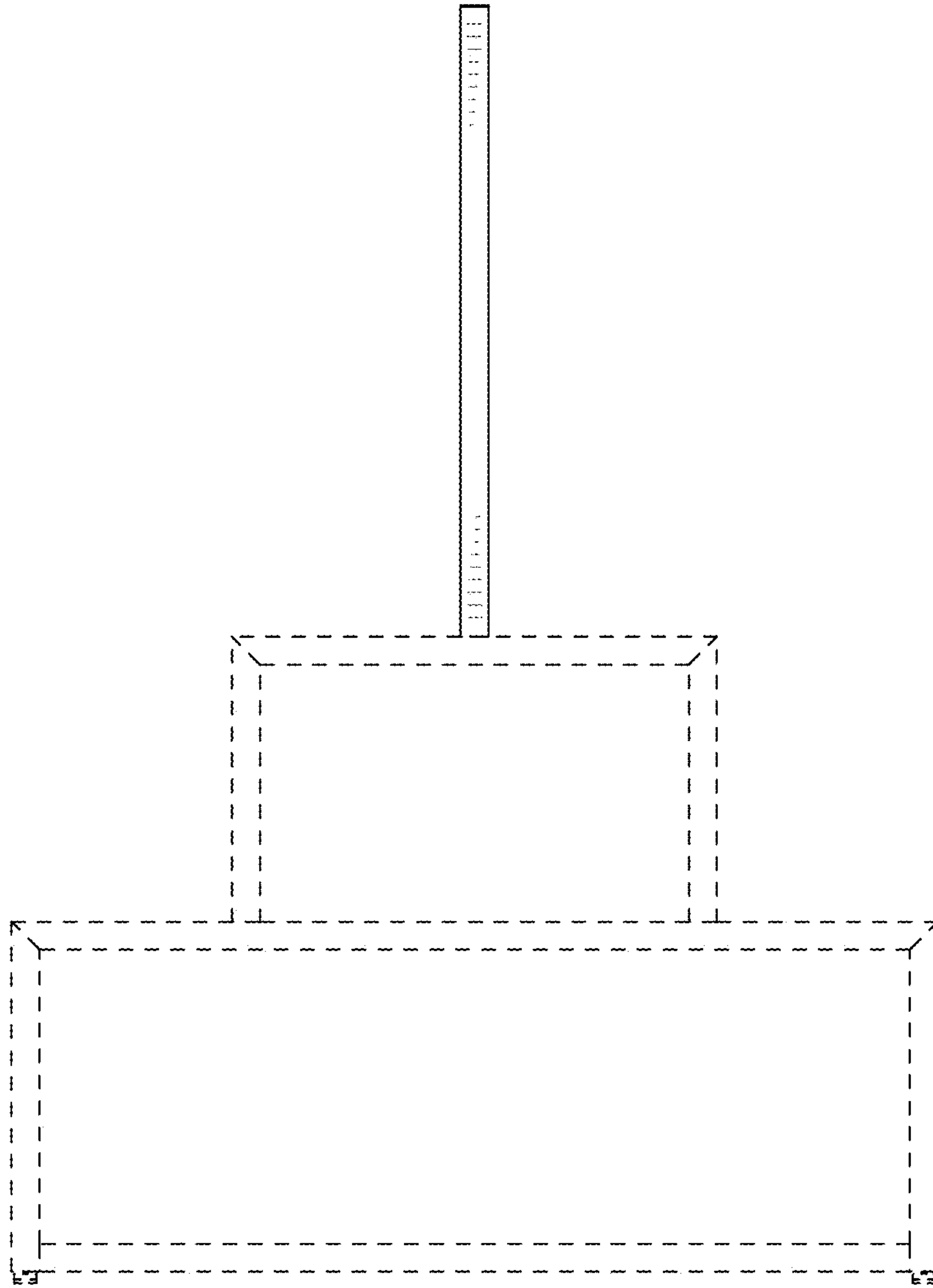


Fig. 4

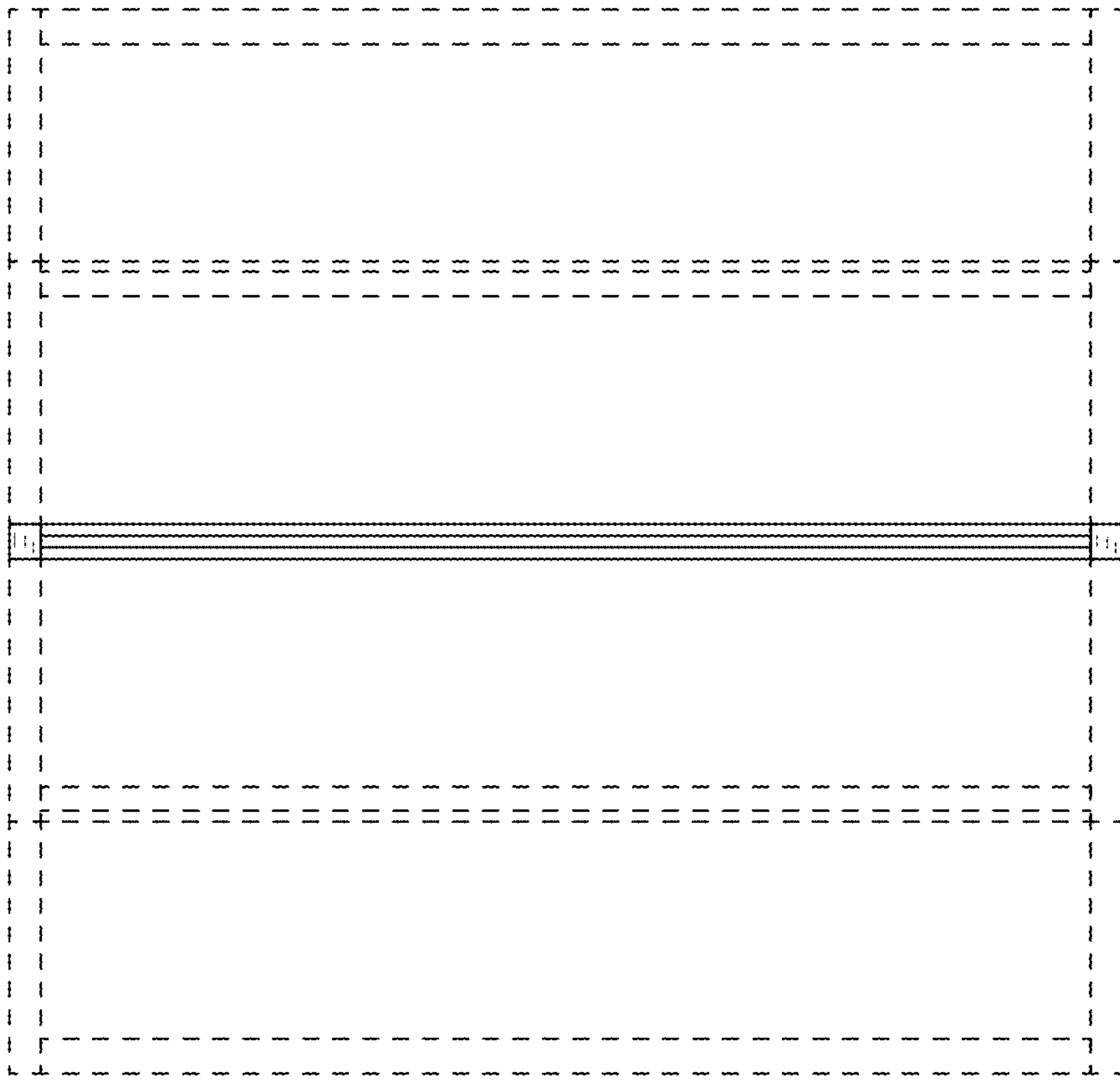


Fig. 5