



US00D917208S

(12) **United States Design Patent**  
**Pachmayr**

(10) **Patent No.:** **US D917,208 S**

(45) **Date of Patent:** **\*\* Apr. 27, 2021**

(54) **FRONT OPENING FLAT PANEL CABINET ENTERTAINMENT CENTER**

(71) Applicant: **Michael Barry Pachmayr**, Buffalo, MO (US)

(72) Inventor: **Michael Barry Pachmayr**, Buffalo, MO (US)

(\*\*) Term: **15 Years**

(21) Appl. No.: **29/751,103**

(22) Filed: **Sep. 18, 2020**

**Related U.S. Application Data**

(63) Continuation-in-part of application No. 16/595,696, filed on Oct. 8, 2019.

(51) **LOC (13) Cl.** ..... **06-04**

(52) **U.S. Cl.**  
USPC ..... **D6/671.1**

(58) **Field of Classification Search**  
USPC ..... D6/657, 663, 664, 664.1, 661, 671, D6/671.1, 671.2, 671.3, 671.4, 566, D6/675.2, 675.5, 705.6  
CPC ..... A47B 17/04; A47B 47/00; A47B 47/04; A47B 57/00; A47B 63/00; A47B 67/00; A47B 5/00; A47B 47/02; A47B 47/021; A47B 73/002

See application file for complete search history.

(56) **References Cited**

**U.S. PATENT DOCUMENTS**

- 2,558,611 A \* 6/1951 Emmart ..... A47B 73/002 211/74
- D186,116 S \* 9/1959 Church ..... D6/671.1
- D186,448 S \* 10/1959 Powell et al. .... D6/671.1
- D190,831 S \* 7/1961 Petrucelli ..... D6/671.1
- D215,773 S \* 10/1969 Maslow ..... D6/675.5
- D321,571 S \* 11/1991 Lucariello ..... D6/663

(Continued)

*Primary Examiner* — Mimosa De

(74) *Attorney, Agent, or Firm* — Jonathan A. Bay

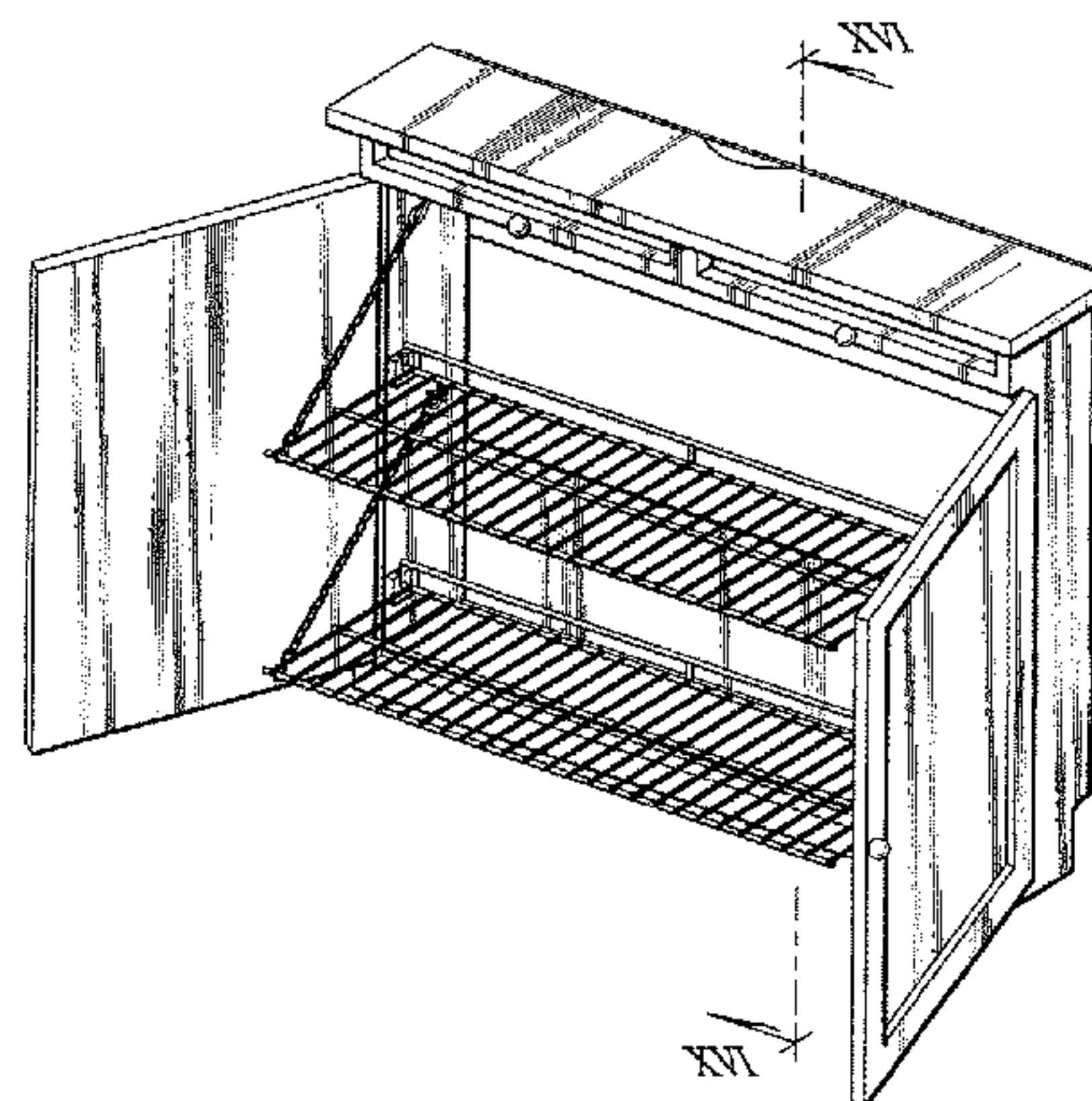
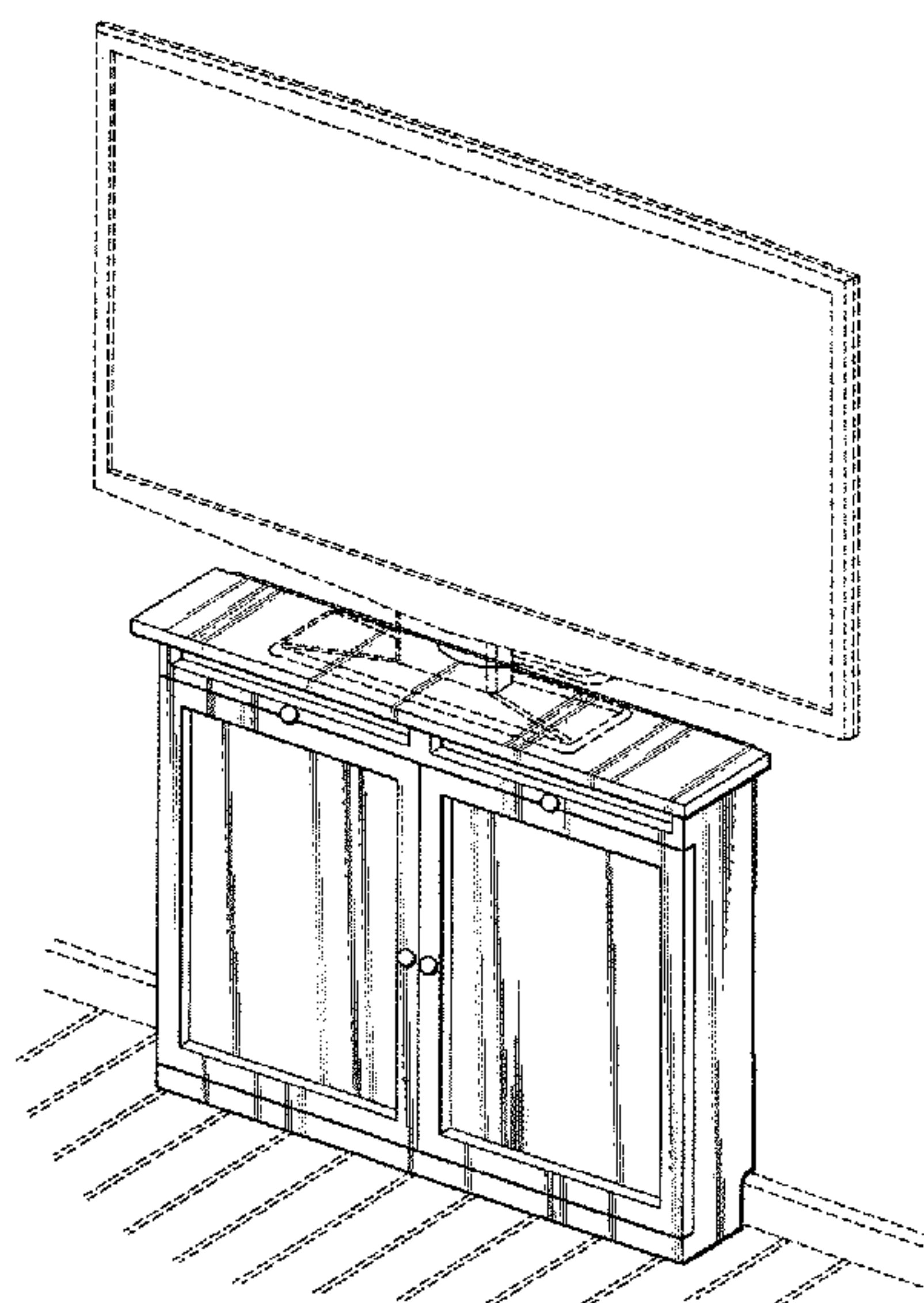
(57) **CLAIM**

The ornamental design for a front opening flat panel cabinet entertainment center, as shown and described.

**DESCRIPTION**

FIG. 1 is a front perspective view of a front opening flat panel cabinet entertainment center showing my new design; FIG. 2 is a perspective view comparable to FIG. 1 except on an enlarged-scale and with environmental matter removed; FIG. 3 is a front elevational view of FIG. 2; FIG. 4 is a right side elevational view of FIG. 2, the opposite side being a mirror image; FIG. 5 is a top plan view of FIG. 2; FIG. 6 is a bottom plan view of FIG. 2; FIG. 7 is a rear elevational view of FIG. 2; FIG. 8 is an elevation view taken in the direction of arrows VIII-VIII in FIG. 2, and partly in section; FIG. 9 is an elevation view taken in the direction of arrows IX-IX in FIG. 8, and partly in section; FIG. 10 is a perspective view comparable to FIG. 2 except on a reduced-scale and with the cabinet doors open as well as with the fold-up shelves folded out to horizontal; FIG. 11 is a front elevational view of FIG. 10; FIG. 12 is a right side elevational view of FIG. 10, the opposite side being a mirror image; FIG. 13 is a top plan view of FIG. 10; FIG. 14 is a bottom plan view of FIG. 10; FIG. 15 is a rear elevational view of FIG. 10; and, FIG. 16 is an elevation view taken in the direction of arrows XVI-XVI in FIG. 10, and partly in section. The broken lines in drawing represent environmental subject matter that forms no part of the claimed design.

**1 Claim, 15 Drawing Sheets**



(56)

**References Cited**

## U.S. PATENT DOCUMENTS

D340,152	S	*	10/1993	Short	.....	D6/657
D343,073	S	*	1/1994	Black	.....	D6/657
5,400,612	A		3/1995	Hedges		
D372,136	S	*	7/1996	Walters, III	.....	D6/671.1
D403,531	S	*	1/1999	De Blaay	.....	D6/671.1
6,152,551	A		11/2000	Annas	.....	A47B 67/005
6,230,951	B1		5/2001	Anderson	.....	B63B 32/80
D451,024	S	*	11/2001	Glauth	.....	D6/675.5
6,460,710	B1		10/2002	Dardashti	.....	A47B 57/26
D499,922	S	*	12/2004	Anderson	.....	D6/566
D551,884	S	*	10/2007	Remmers	.....	D6/705.6
8,919,894	B1		12/2014	Pachmayr	.....	A47B 81/06
9,528,654	B2		12/2016	Pachmary	.....	F16M 13/02
D893,221	S	*	8/2020	Lim	.....	D6/675.2
2005/0258117	A1		11/2005	Drake	.....	A47B 6/005
2007/0252489	A1		11/2007	Schulz	.....	A47B 87/0007
2011/0226829	A1		9/2011	Robinson	.....	A47F 3/14
2012/0145756	A1		6/2012	Fuller	.....	A45F 3/14

\* cited by examiner



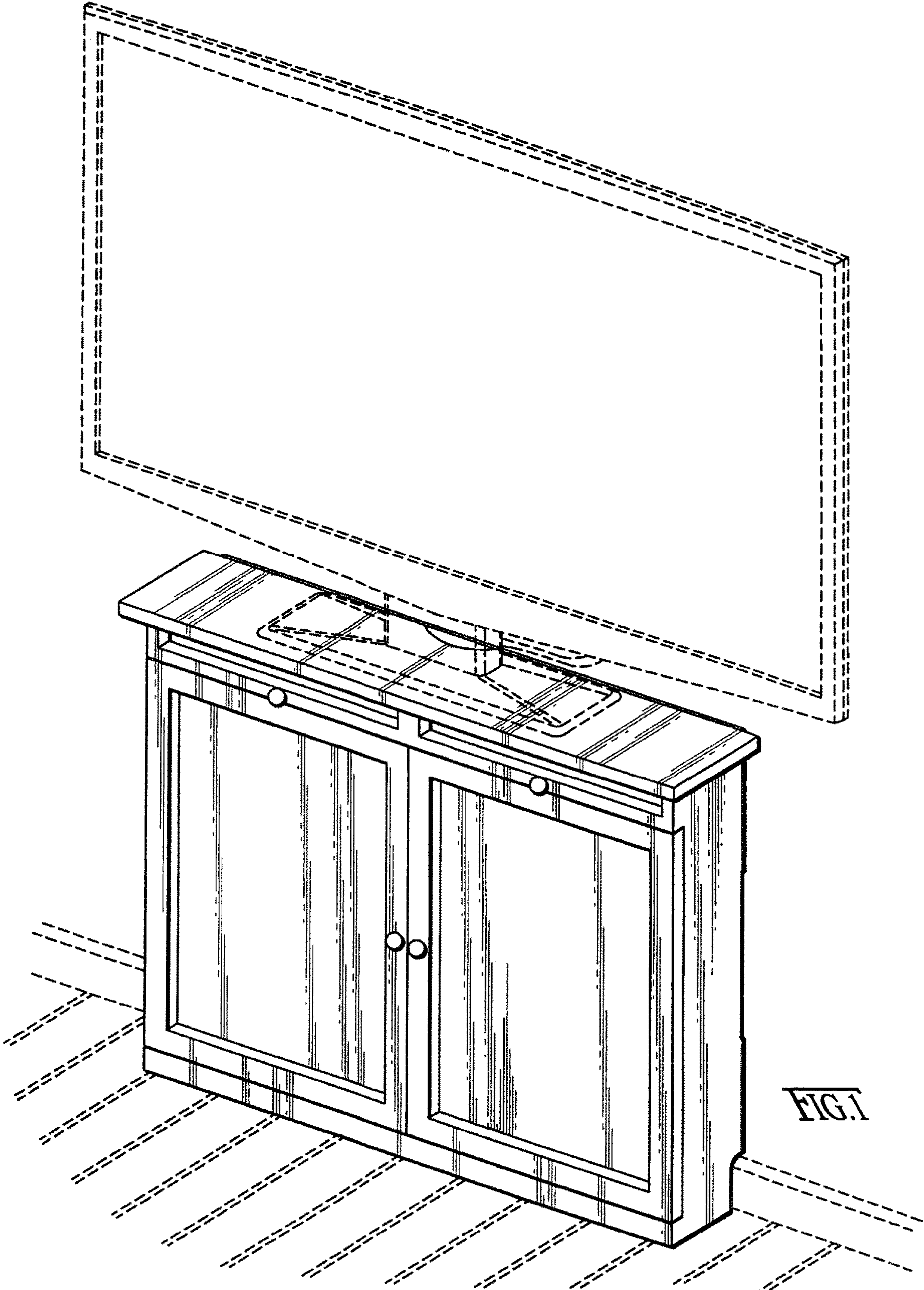
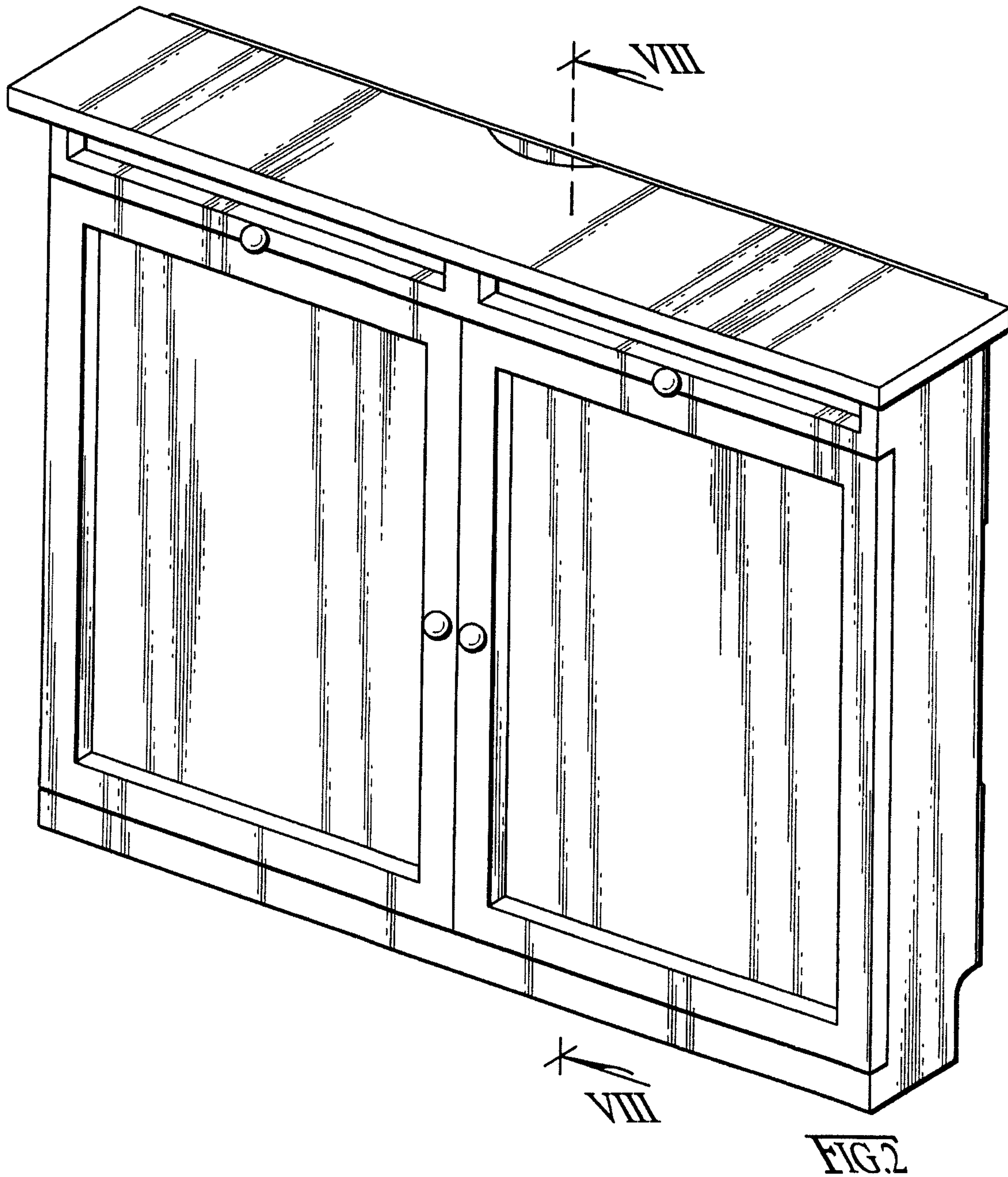


FIG. 1



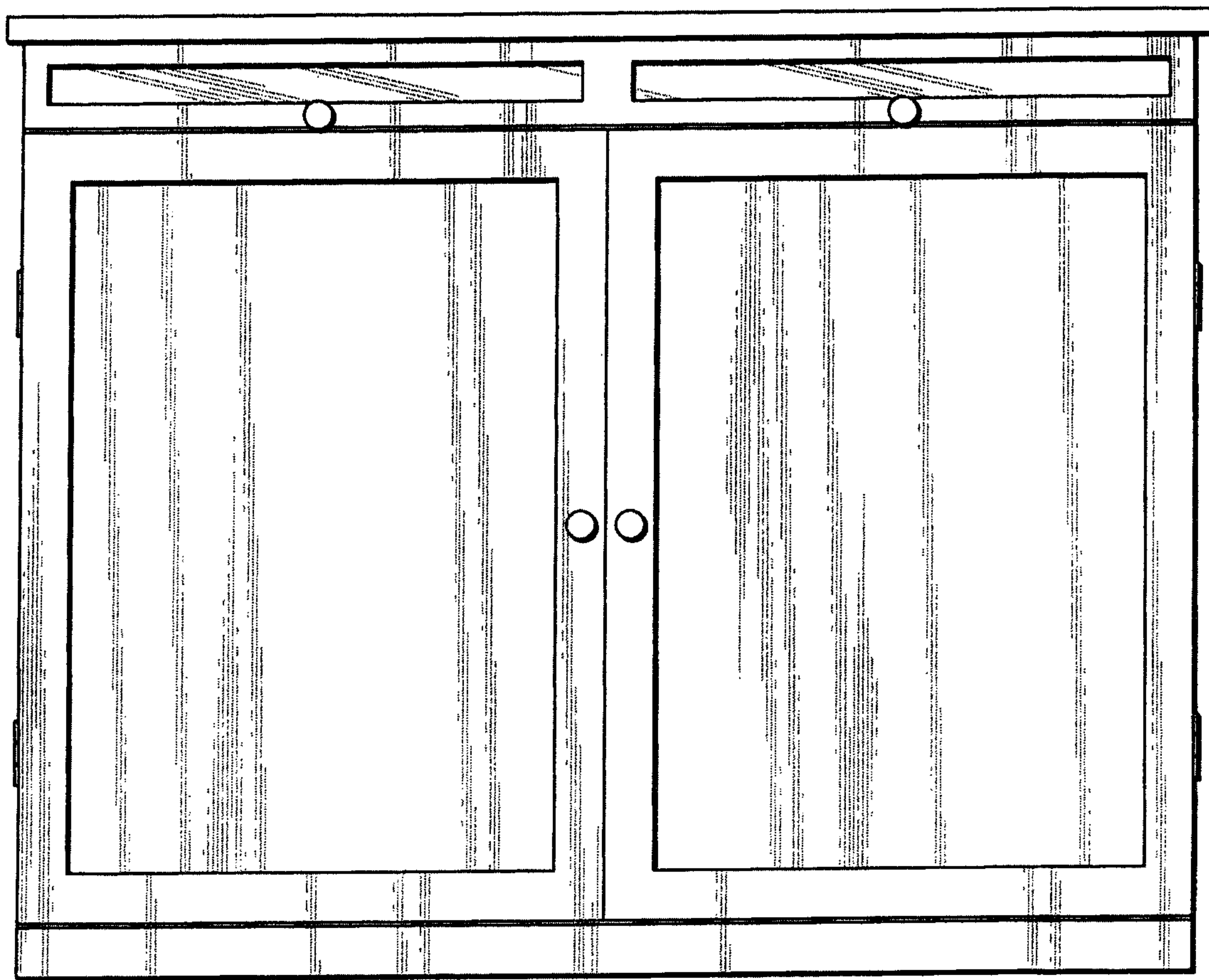


FIG. 3



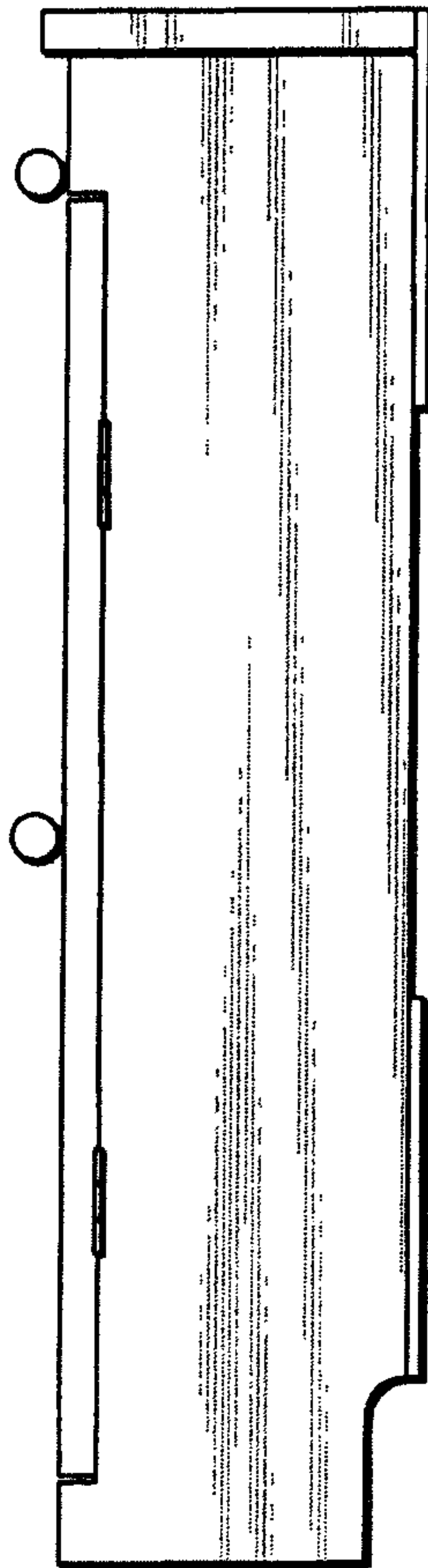


FIG. 4

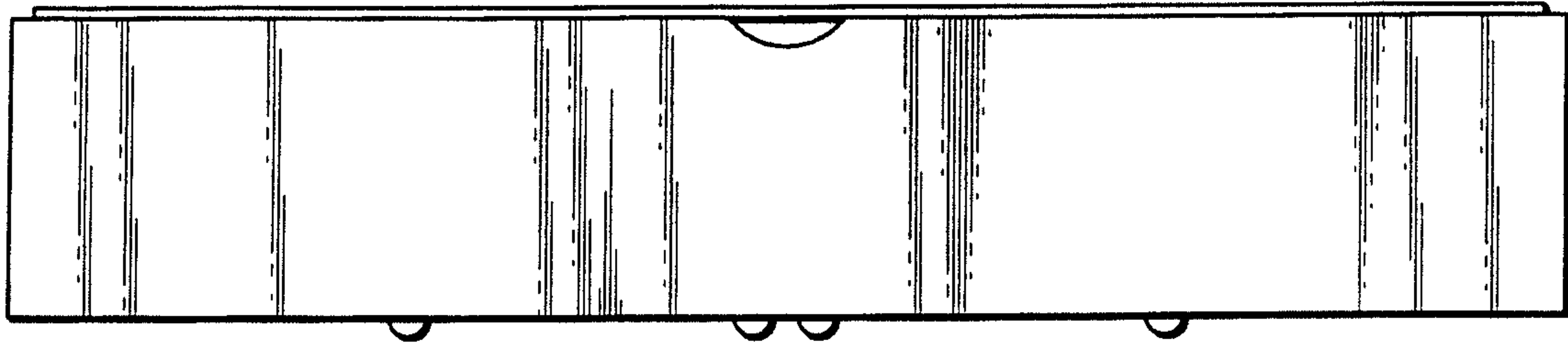


FIG. 5

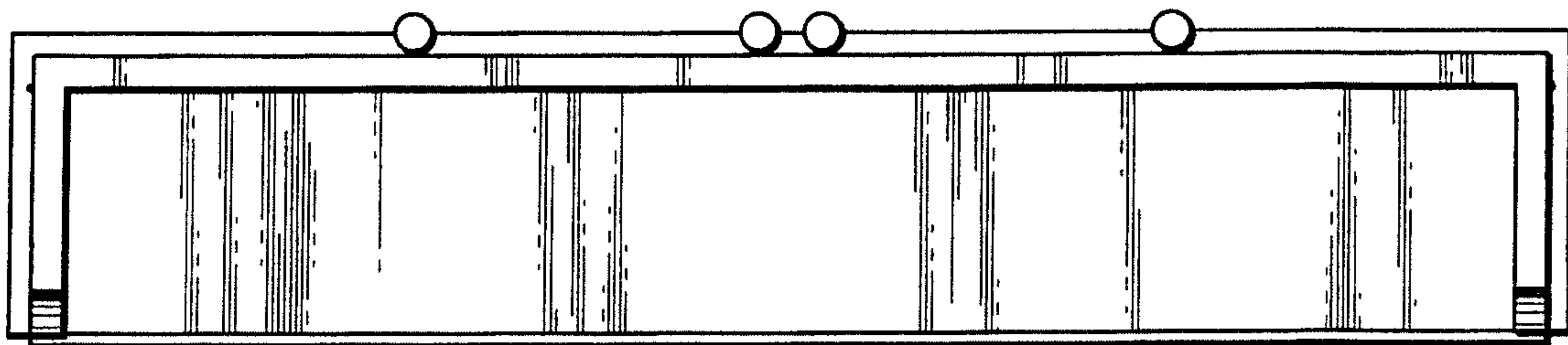


FIG. 6

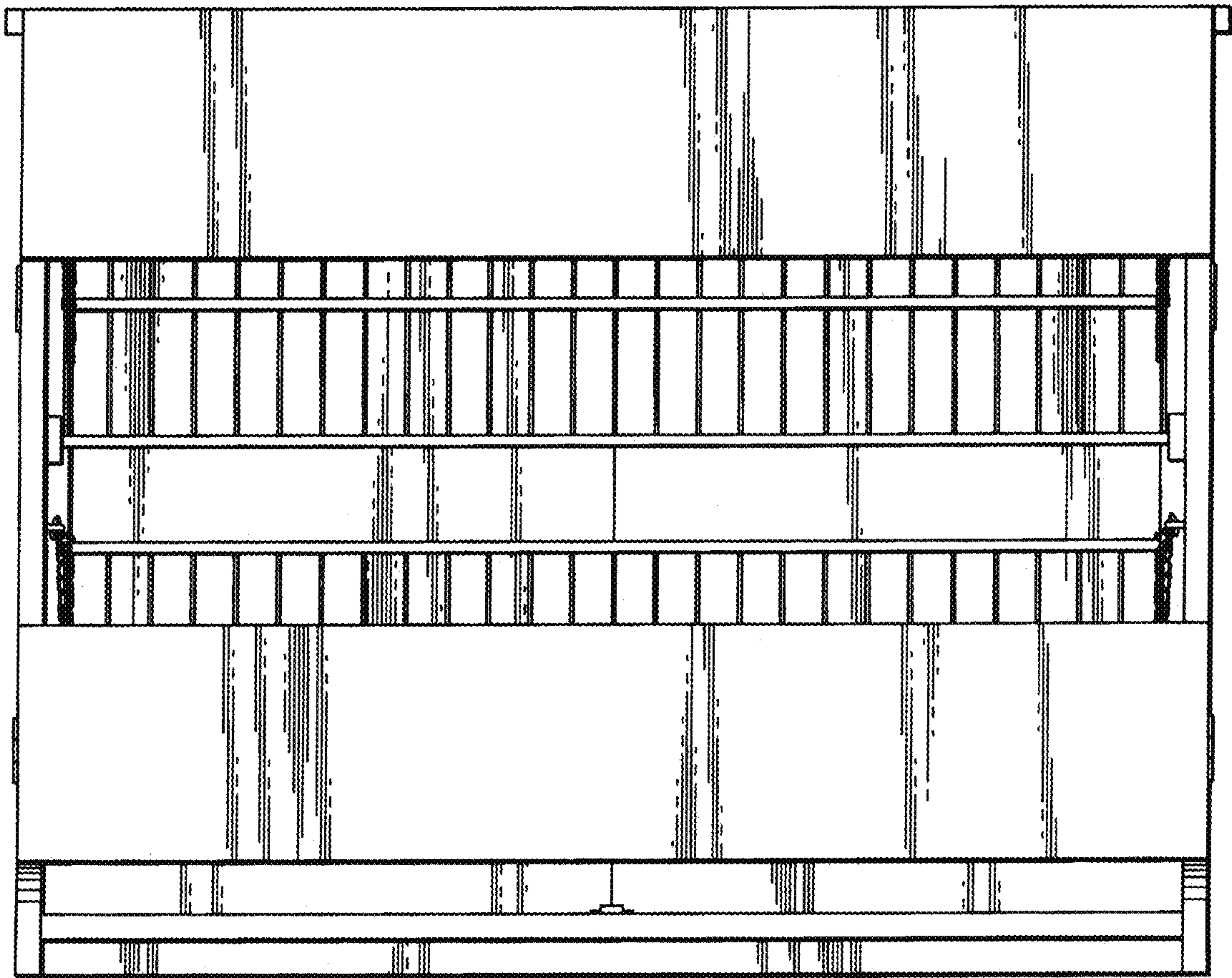
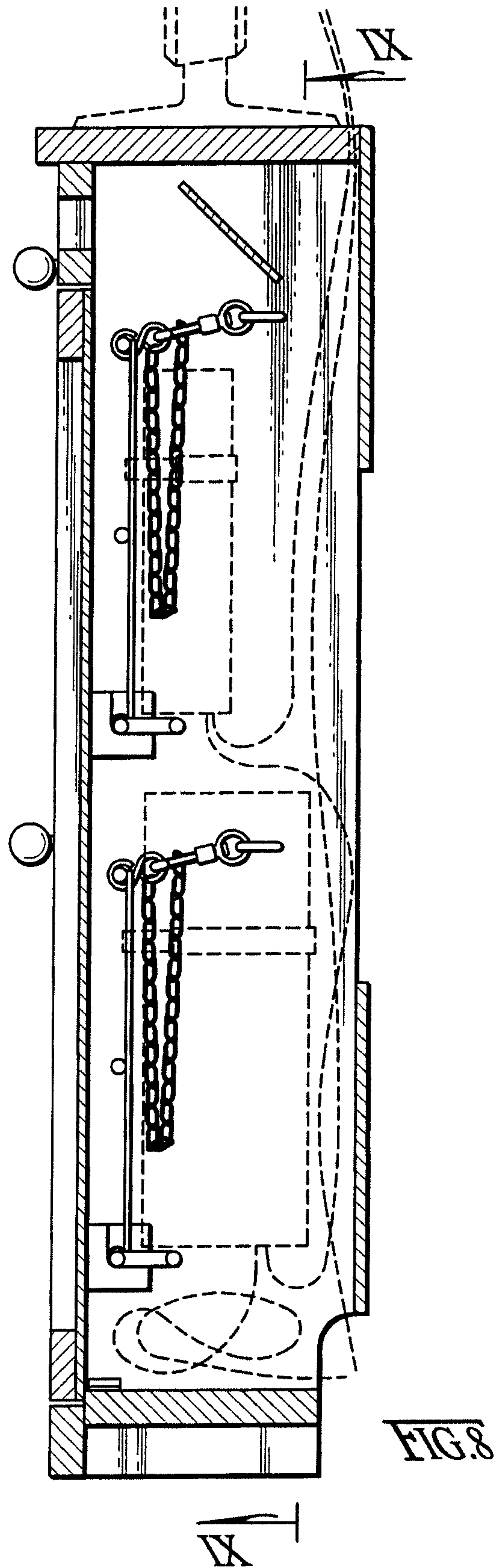


FIG. 7





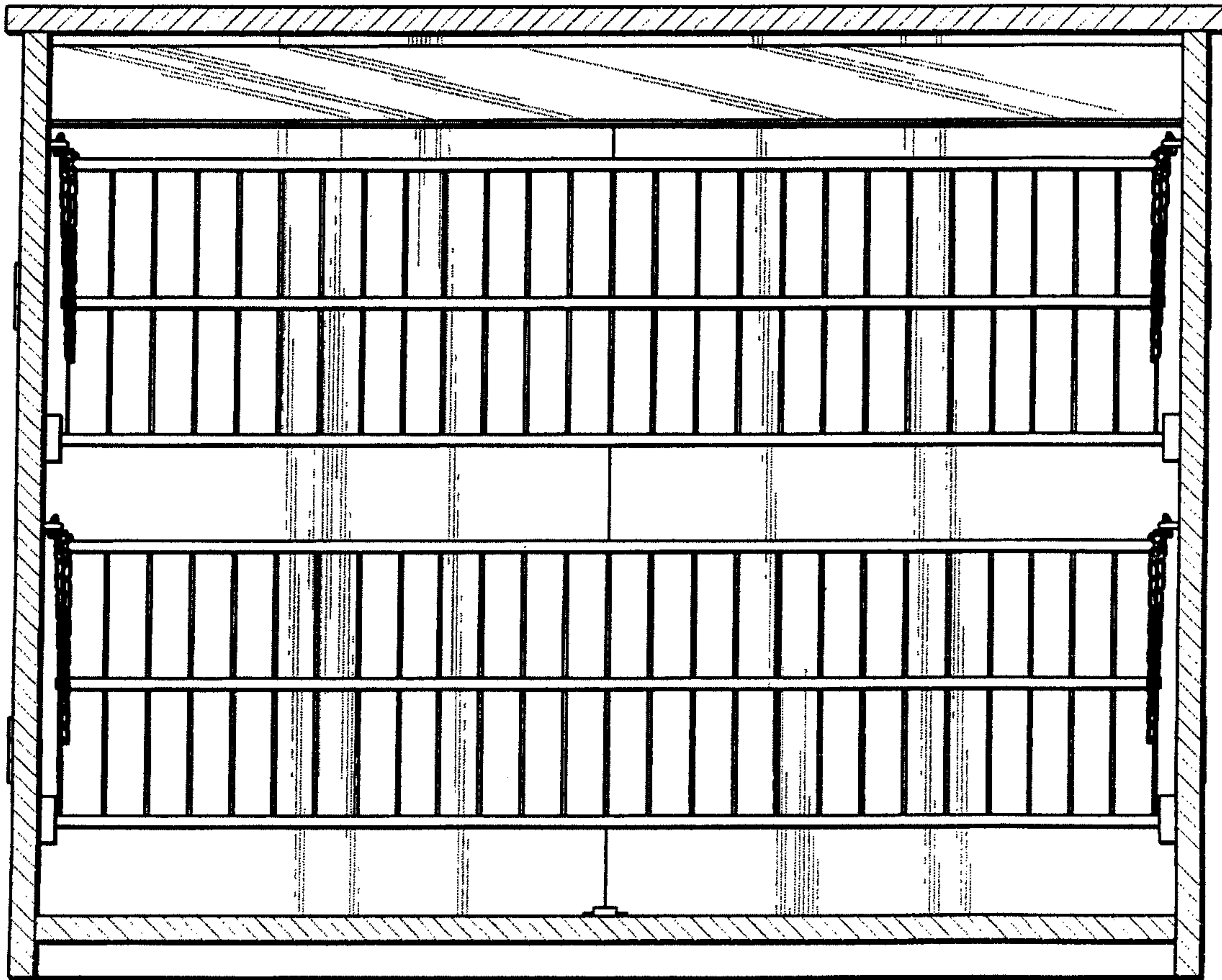


FIG. 9

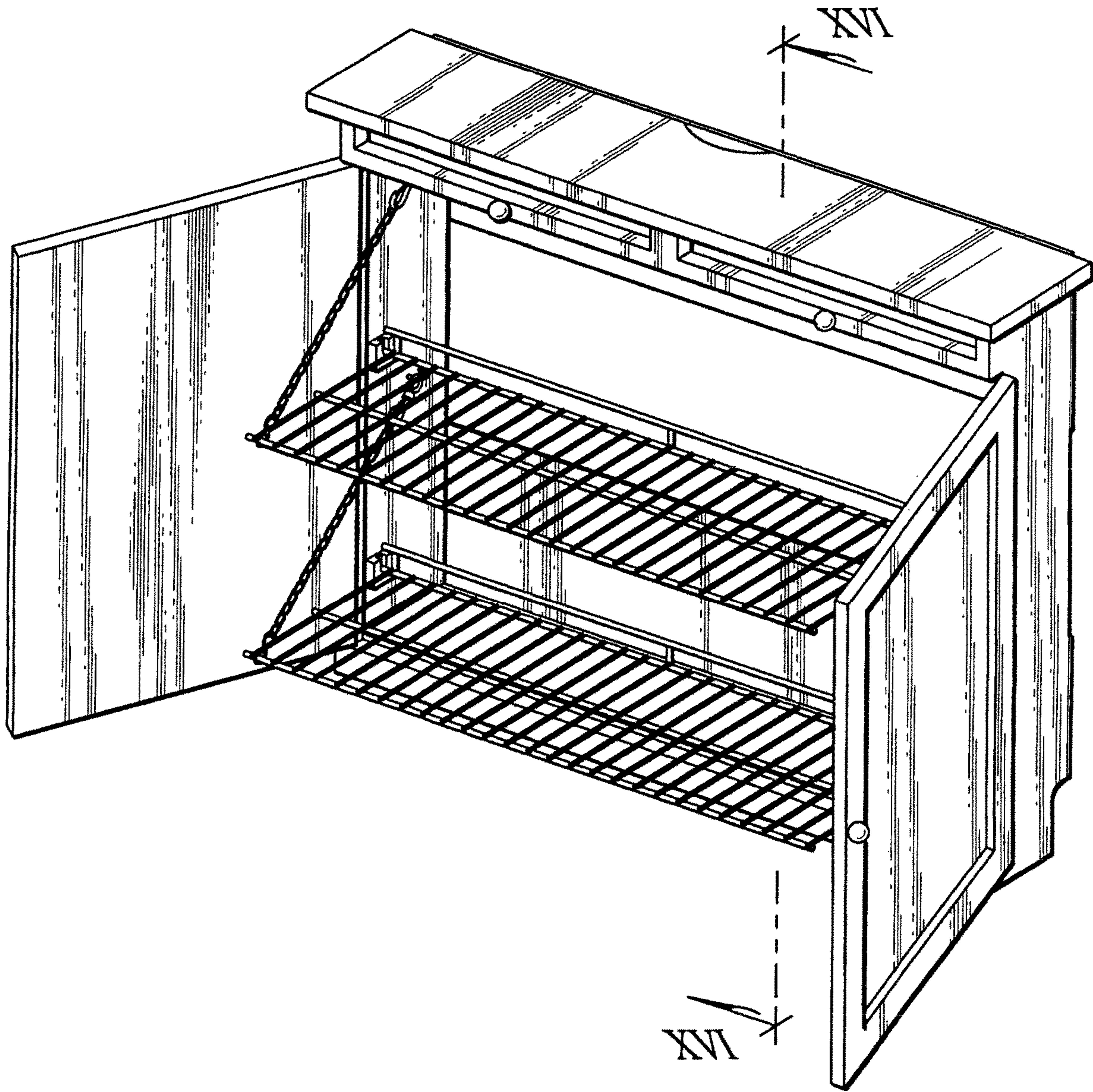


FIG.10



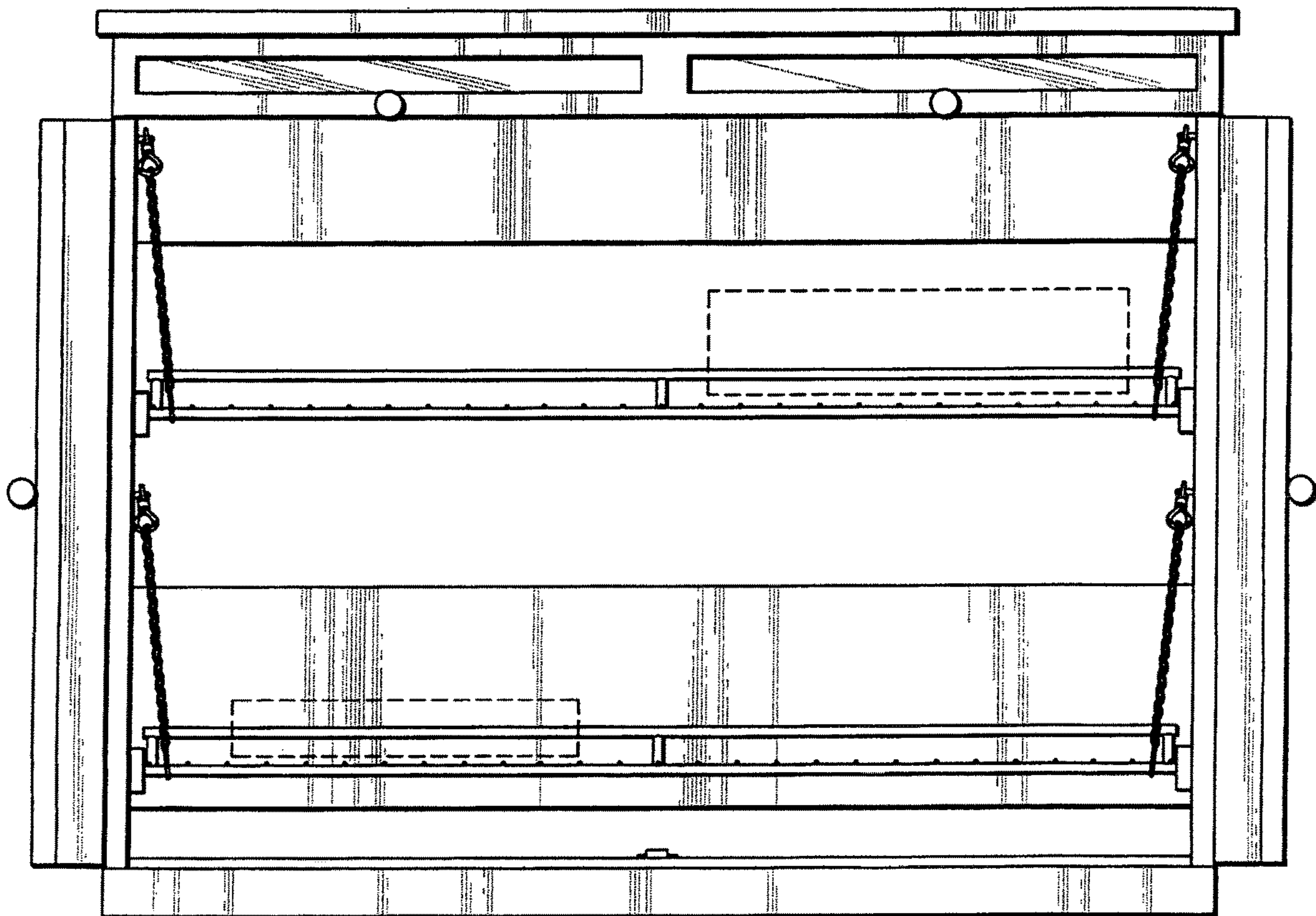


FIG. 11

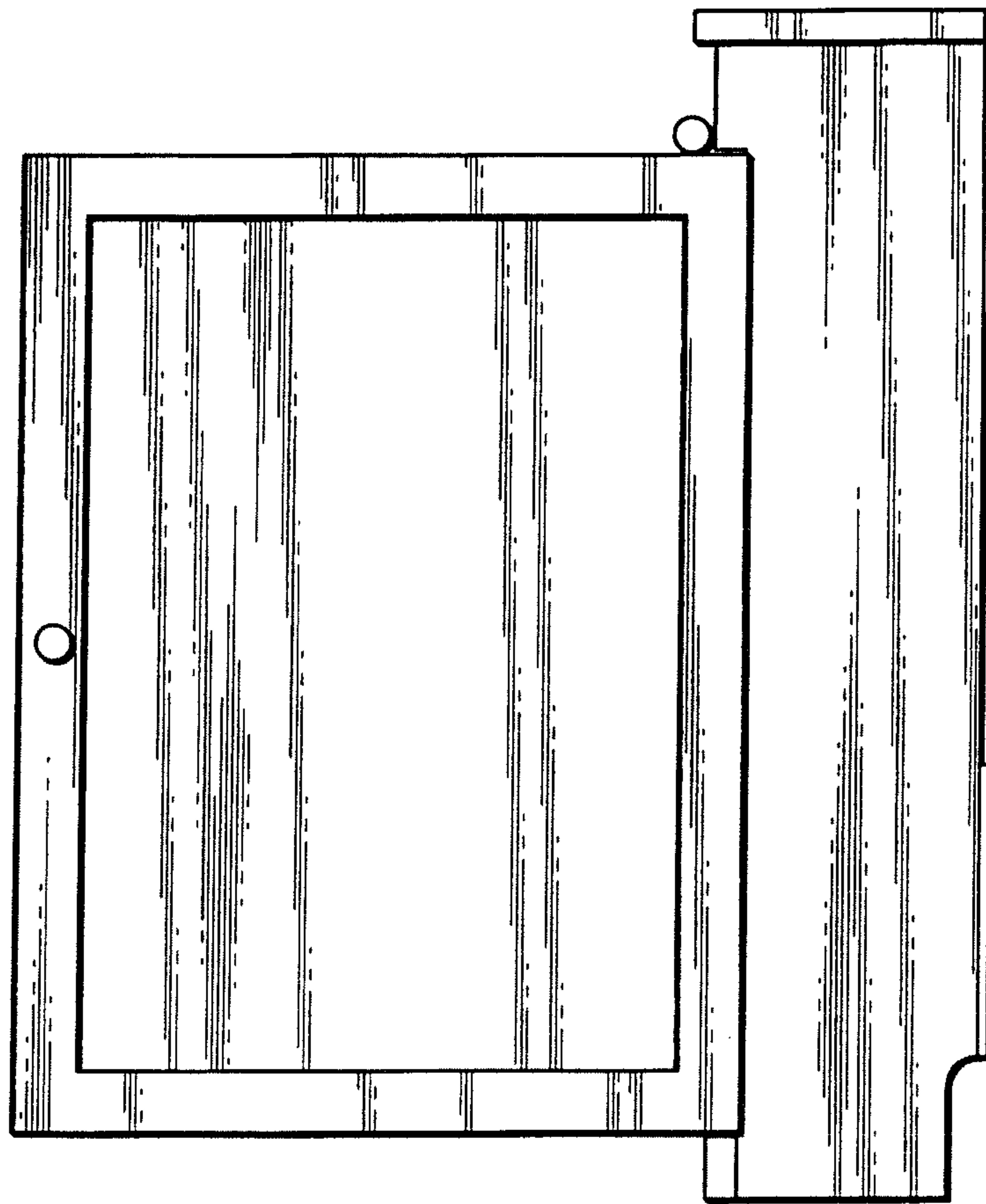


FIG. 12

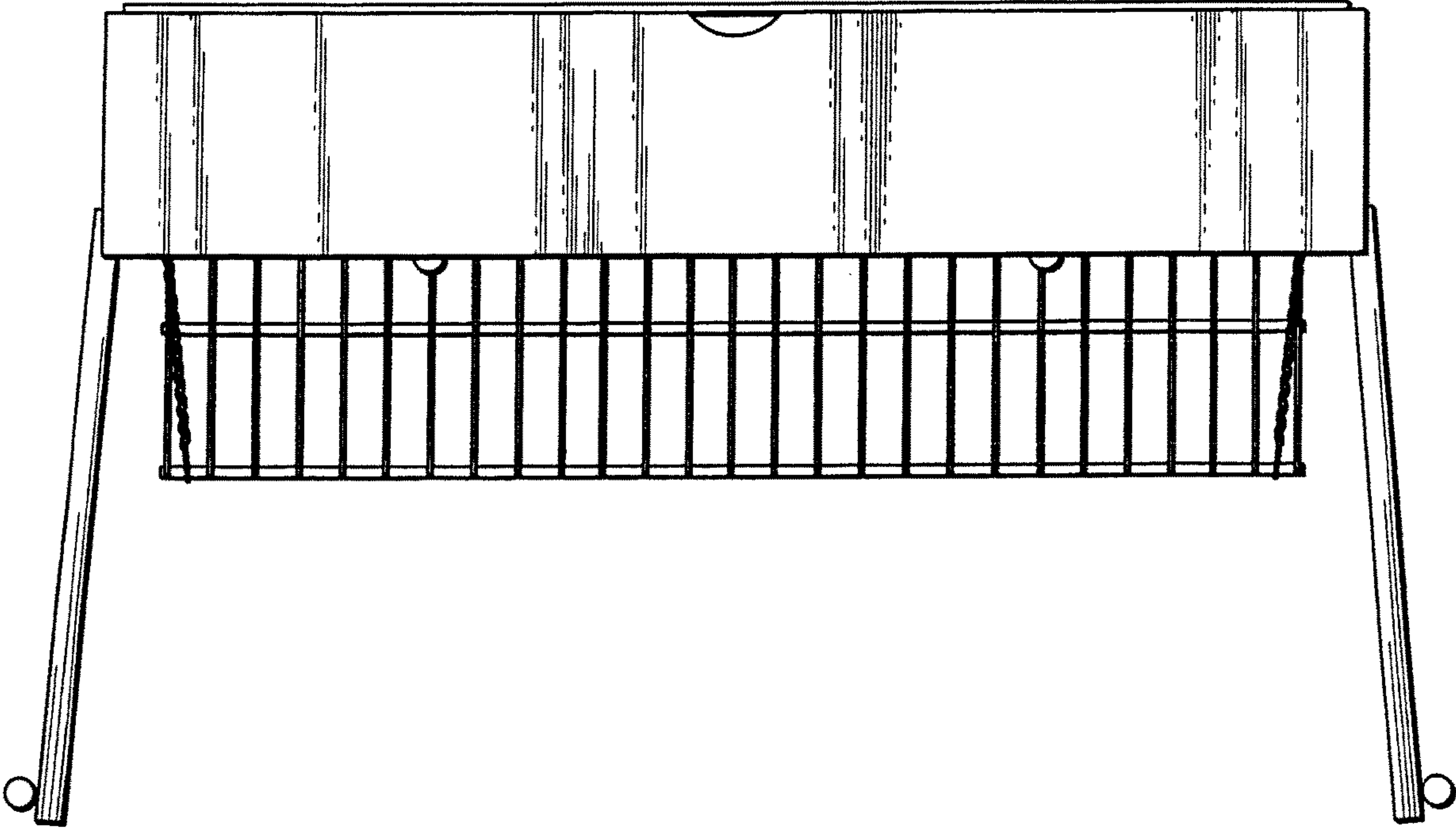


FIG.13



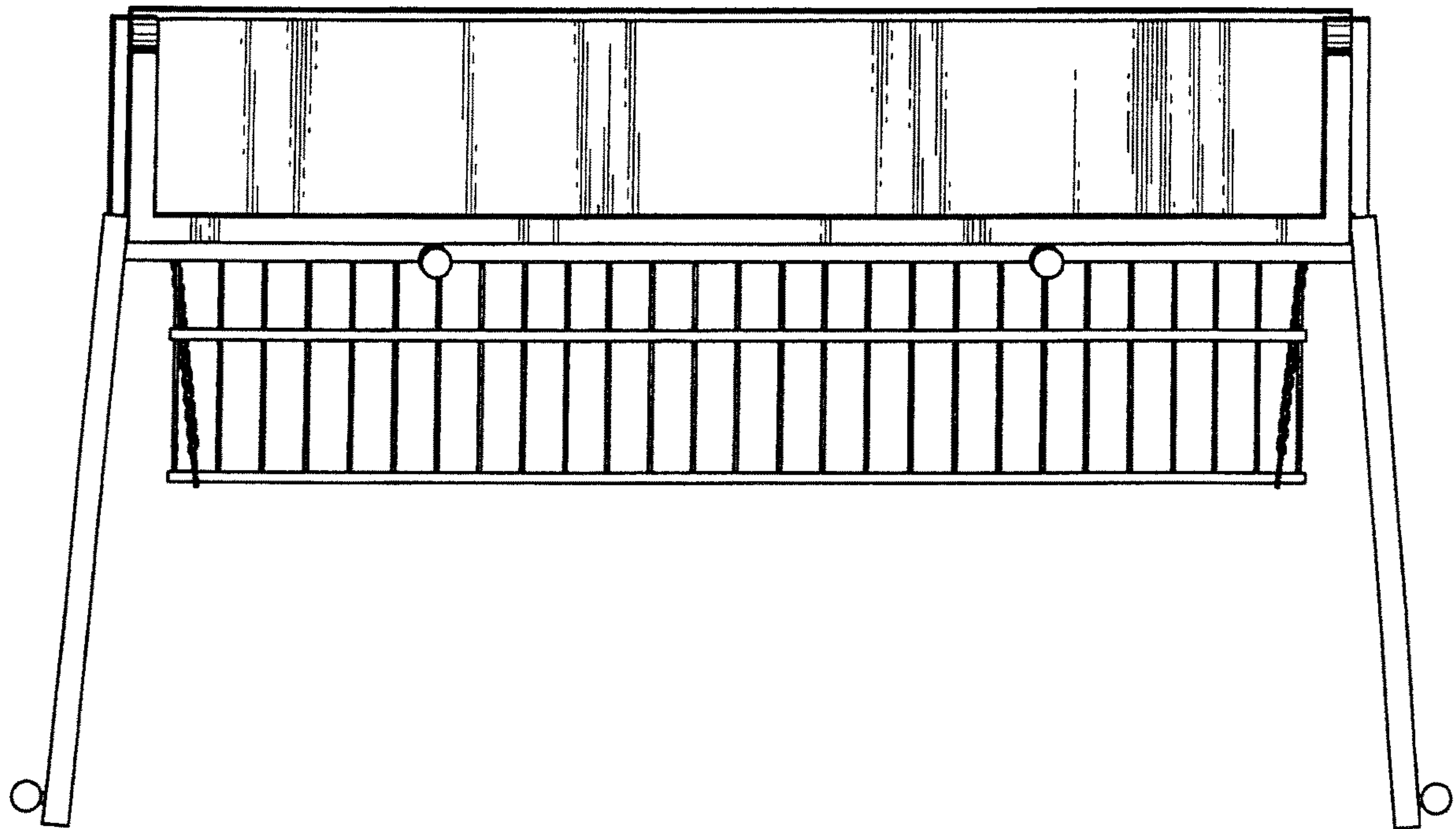


FIG. 14

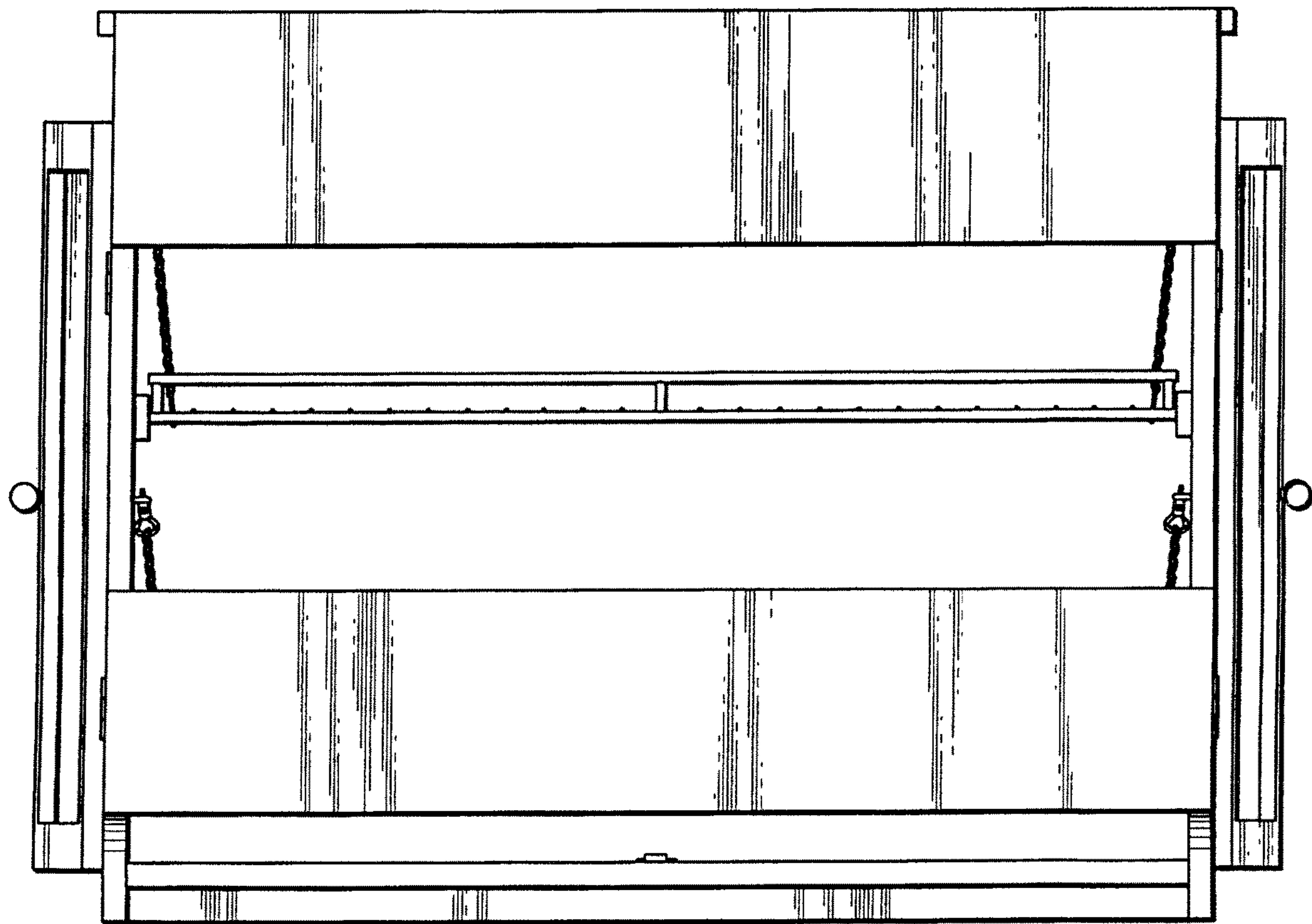


FIG. 15

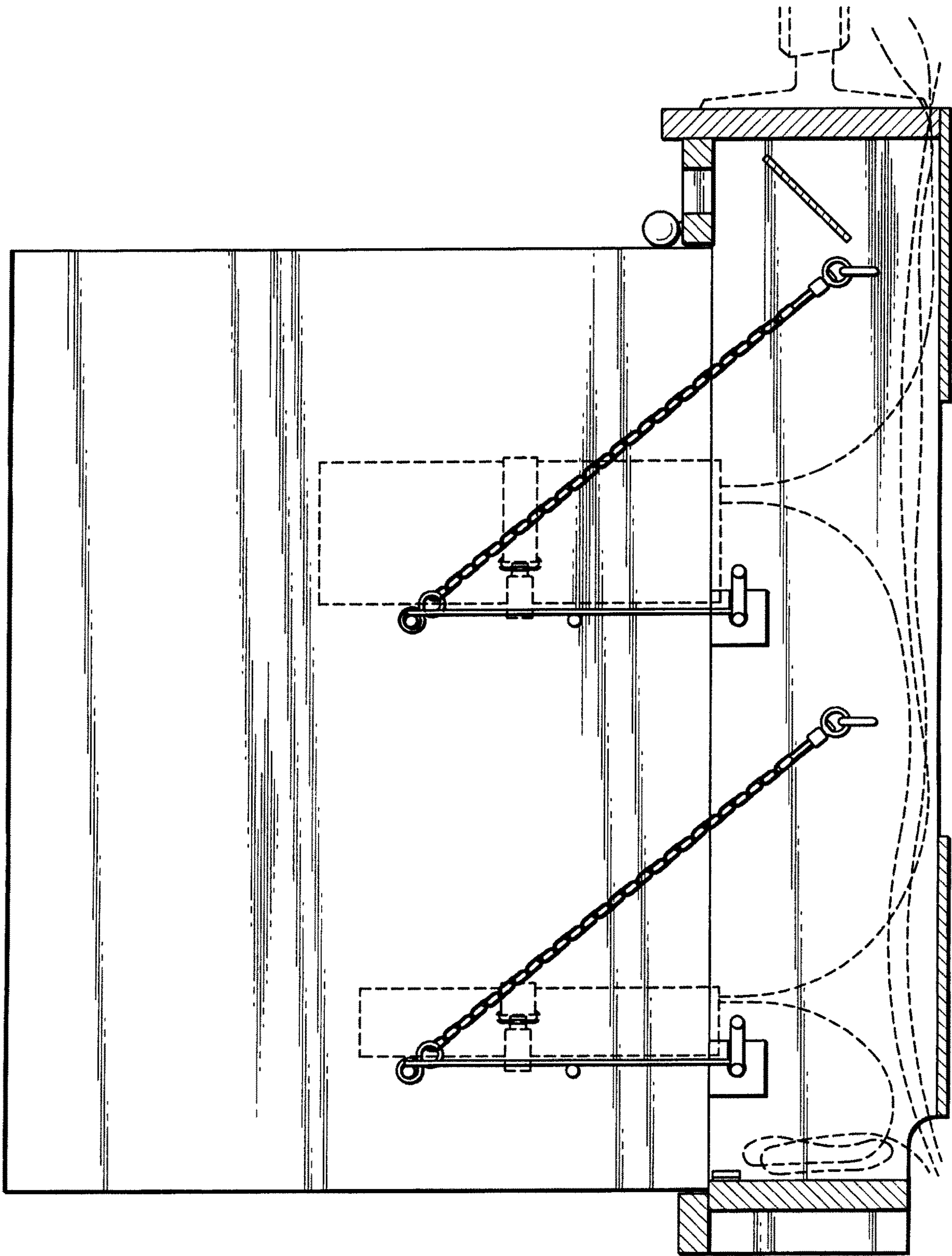


FIG.16