



US00D917204S

(12) **United States Design Patent** (10) **Patent No.:** **US D917,204 S**  
**Wendling** (45) **Date of Patent:** **\*\* Apr. 27, 2021**

(54) **PAIR OF CORNER DEVICES FOR A FLOOR COVERING**

(56) **References Cited**

U.S. PATENT DOCUMENTS

(71) Applicant: **Allan Wendling**, New Lothrop, MI (US)

168,063 A \* 9/1875 Taylor ..... B65D 1/225  
220/62

(72) Inventor: **Allan Wendling**, New Lothrop, MI (US)

441,099 A 11/1890 Hoyt

632,911 A 9/1899 Berry

882,859 A 3/1908 Ammerman

922,703 A 5/1909 Knapp

(\*\*) Term: **15 Years**

1,182,764 A 5/1916 Harral

1,430,981 A 10/1922 Goldthwaite

1,509,047 A 9/1924 Lindhorst

(21) Appl. No.: **29/723,518**

1,526,261 A 2/1925 Wachs

1,573,828 A 2/1926 Hamilton

1,598,127 A 8/1926 Fleming

(22) Filed: **Feb. 7, 2020**

2,030,649 A 2/1936 Miller

2,042,692 A 6/1936 Wurzburg

2,236,465 A 3/1941 Carlson

2,736,976 A 3/1956 Richthamer

3,071,777 A 1/1963 Miller

3,203,125 A 8/1965 Stoessel

3,559,273 A 2/1971 Porzio

**Related U.S. Application Data**

(63) Continuation-in-part of application No. 29/709,677, filed on Oct. 16, 2019, now Pat. No. Des. 906,010, which is a continuation-in-part of application No. 29/678,684, filed on Jan. 30, 2019, now Pat. No. Des. 873,050.

D230,807 S 3/1974 Penson et al.

4,217,164 A 8/1980 La Mers

4,464,834 A 8/1984 Simms

4,597,206 A 7/1986 Benson

4,636,047 A 1/1987 Green

4,681,786 A 7/1987 Brown

RE32,929 E 5/1989 Ewing

(51) **LOC (13) Cl.** ..... **06-11**

4,953,279 A 9/1990 Colby

(52) **U.S. Cl.**

4,998,319 A 3/1991 Ford

USPC ..... **D6/582; D6/587**

5,003,664 A 4/1991 Wong

(58) **Field of Classification Search**

D330,988 S 11/1992 Robbins, III

USPC ..... D6/582-589, 591, 592, 609, 613, 614;  
D12/203, 608; D19/9, 10, 37, 113;  
D21/686, 780; D23/261, 310, 361;  
D25/138, 156, 157, 163; D30/161;  
D32/57

5,305,538 A 4/1994 Kanzelberger

5,411,167 A 5/1995 Weder

5,450,046 A 9/1995 Kosugi et al.

5,469,599 A 11/1995 Wurdack

5,712,767 A 1/1998 Koizumi

D400,780 S 11/1998 Wurdack

5,966,757 A 10/1999 Sullivan

CPC ..... A47G 27/02; A47G 27/0206; A47G  
27/0212; A47G 27/0218; A47G 27/0225;  
A47G 27/0231; A47G 27/0237; A47G  
27/0275; A47G 27/0293; A47G 9/062;  
A47K 3/002; A63B 6/00; A63B 21/4037;  
E04F 2201/095; E04F 19/10; A47L  
23/26; A47L 23/266

D420,658 S 2/2000 Eyler

6,022,617 A 2/2000 Calkins

6,120,565 A 9/2000 Dix et al.

6,124,017 A 9/2000 Sokol, Jr. et al.

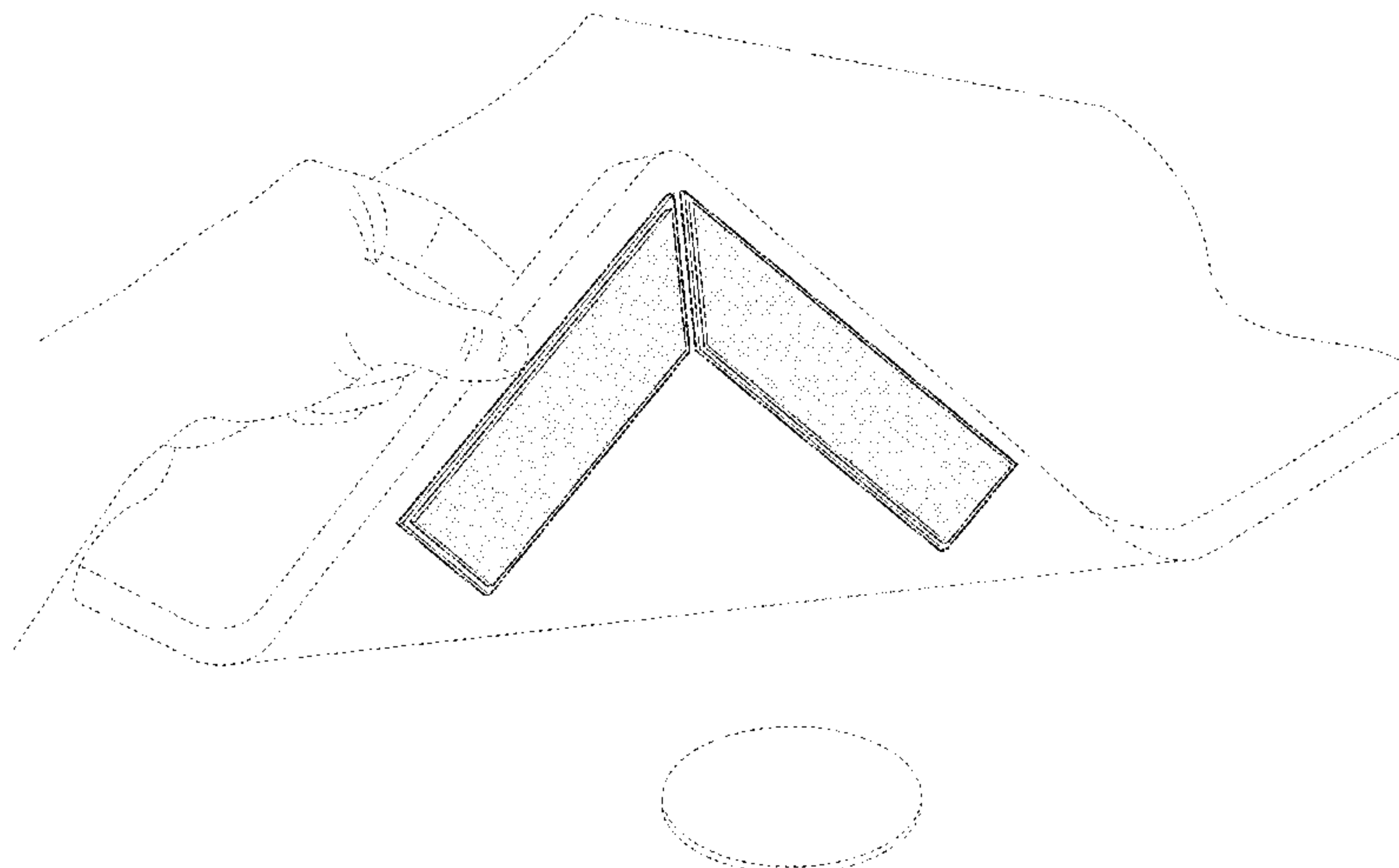
6,216,315 B1 4/2001 Fuzzell

6,230,446 B1 5/2001 Chalich

D444,010 S \* 6/2001 Ambrosio ..... A47G 27/0293

See application file for complete search history.

D6/716.4





D453,161 S	1/2002	Pentz	
D453,339 S *	2/2002	Pentz	B82Y 10/00
			D14/436
D453,517 S *	2/2002	Pentz	D14/436
6,385,812 B1	5/2002	Iverson	
6,460,303 B1 *	10/2002	Pacione	A47G 27/025
			428/100
D474,537 S *	5/2003	Hantke	D24/124
6,558,766 B2	5/2003	Jupina	
6,673,409 B1	1/2004	Wheatley	
6,901,629 B2	6/2005	Wurdack	
7,342,850 B2 *	3/2008	Martens	G11B 7/1369
			369/112.23
D569,064 S	5/2008	Hinder et al.	
7,397,734 B2 *	7/2008	Martens	B82Y 10/00
			369/112.02
D575,332 S	8/2008	Parker et al.	
D616,020 S	5/2010	Hoppus et al.	
D630,877 S	1/2011	Howie	
D638,526 S	5/2011	Newman	
D639,408 S	6/2011	Newman	
D659,323 S	5/2012	Davis	
D661,446 S	6/2012	Davis	
D669,759 S	10/2012	Castilleja et al.	
D674,641 S	1/2013	Daniel	
8,438,701 B2	5/2013	Bushey	
8,485,112 B1	7/2013	Madden	
D706,551 S	6/2014	Lawrence et al.	
D748,202 S	1/2016	Kennedy	
9,238,180 B2	1/2016	Kennedy	
D753,983 S	4/2016	Toye	
D763,843 S	8/2016	Gustaveson, II	
D764,592 S	8/2016	Zenoff	
D769,144 S	10/2016	Dingus et al.	
D798,781 S	10/2017	Adkins	
9,894,995 B2	2/2018	Downs	
D827,061 S	8/2018	Trenkle	
D838,773 S	1/2019	Frost	
D851,702 S *	6/2019	Goldstein	B65D 1/225
			D19/95
10,357,122 B2	7/2019	Wendling	
10,368,675 B2	8/2019	Wendling	
D861,404 S	10/2019	Ochsenfeld et al.	
D864,609 S	10/2019	Lagun et al.	
D873,050 S	1/2020	Wendling	
D884,094 S	5/2020	Huneau	
D886,492 S	6/2020	Farkas	
2001/0044964 A1	11/2001	Phillips	
2002/0004114 A1	1/2002	Leaphart, Jr. et al.	
2002/0020016 A1	2/2002	Lyons	
2002/0074692 A1 *	6/2002	Wang	B29C 43/20
			264/293
2003/0203152 A1	10/2003	Higgins et al.	
2004/0068830 A1	4/2004	Sandeman	
2004/0093687 A1	5/2004	Bushey	
2004/0123421 A1	7/2004	Bushey	
2005/0025926 A1	2/2005	Risi et al.	
2005/0257341 A1	11/2005	Chen et al.	
2006/0127688 A1	6/2006	Busch et al.	
2006/0191218 A1 *	8/2006	Pacione	A47G 27/0293
			52/234
2007/0220673 A1	9/2007	Nichols	
2008/0052827 A1	3/2008	DelIntinis	
2008/0152860 A1	6/2008	Meyer	
2008/0229501 A1	9/2008	Hutchison	
2009/0250367 A1	10/2009	Murdoch et al.	
2011/0059830 A1	3/2011	Reese	
2011/0074128 A1	3/2011	Chang	
2011/0230313 A1	9/2011	Gamboia	
2012/0073081 A1	3/2012	Crenshaw, Sr.	
2012/0284917 A1	11/2012	Nirmel	
2012/0285613 A1	11/2012	Bongiovanni et al.	
2014/0068858 A1	3/2014	Wambeke	
2014/0141201 A1	5/2014	Berner et al.	
2014/0141204 A1	5/2014	Calkins	
2014/0194265 A1	7/2014	Torres	
2015/0013065 A1	1/2015	Ketcham	
2016/0037944 A1	2/2016	Savignano	
2016/0135632 A1	5/2016	Wendling	

2016/0135633 A1	5/2016	Wendling
2017/0105563 A1	4/2017	Dawson et al.
2018/0049574 A1 *	2/2018	Wendling
		A47G 27/0431
2019/0358482 A1	11/2019	Huneau

FOREIGN PATENT DOCUMENTS

GB	264447 A	2/1927
GB	2282965 A	4/1995

OTHER PUBLICATIONS

Make Your Own Bench Cookies for Cheap With Lee Valley Bench Pucks; Toolguyd.com; Sep. 8, 2011; Accessed on Feb. 12, 2020; (Year 2011); 8 pgs.

Self-Stick Non-Slip Surface Grip Pads by SoftTouch; Said on Amazon.com; Mar. 31, 2009 (Year: 2009); 9 pgs.

Notice of Allowance pertaining to U.S. Appl. No. 298/709,677 dated Sep. 10, 2020, 6 pages.

Celebrita Pair of Gliding Discs Core Sliders by Celebrita MMA. Sold on amazon.com. May 17, 2019, Accessed on Aug. 17, 2020 (year: 2019).

Mr Ton Rug Gripper, Anti Curling Non Slip Rug Pad with Renewable Gripper Tape for Indoor & Outdoor Carpet Mat, Door Mat, Ideal for All Flat Floor Type, 8 pcs, Large Size, Amazon, May 15, 2018, <https://www.amazon.com/Mr-Ton-gripper-curling-renewable-outdoor/dp/B07D39P457>, 1 pg.

Rug Grippers by Bowerbird 8 pcs, "Anti Curling Non Slip Rug Gripper Flatten Rug Corners Stop Sliding Ideal Alternative to Rug Pad Carpet Tape and Rug Tape for Hard Floors" B078J1279D PcJ548JA, Let's Go Shopping Dec. 20, 2017, [http://111.midwestaginsurance.net/rug-pads-ff-18\\_20/rug-grippers-by-bowerbird-8-pcs-anti-curling-anmd-non-slip-rug-gripper-flatten-rug-corners-stop-sliding-ideal-alternative-to-rug-pad-carpet-tape-and-rug-tape-for-hard-floors-b078j1279d-pcj5480-gg-4664.html](http://111.midwestaginsurance.net/rug-pads-ff-18_20/rug-grippers-by-bowerbird-8-pcs-anti-curling-anmd-non-slip-rug-gripper-flatten-rug-corners-stop-sliding-ideal-alternative-to-rug-pad-carpet-tape-and-rug-tape-for-hard-floors-b078j1279d-pcj5480-gg-4664.html), 1 pg.

Rug Grippers X-Protector—New 8 pcs Anti Curling Rug Gripper—Rug Pad, Keeps your Rug in Place & Corners. Flat, Carpet Gripper Renewable Gripper Tape—Rug Tape. Original Brand—Avoid the Copies!, Amazon, Sep. 1, 2017, <https://www.amazon.com/x-protector-grippers-anti-curling-gripper/dp/B07C2PVZ9BV>; 1 pg.

NeverCurl's Best V Shape Design to Instantly Stops Rug Corner Curling by iPrimo. Amazon.com. Dec. 25, 2014 <https://www.amazon.com/NeverCurl-Instantly-Curling-floors-anti-slip/dp/B00PBQ7EA2/>. Accessed on Apr. 30, 2019.

Rug Anchors Carpet Hook and Loop Non-slip Mat Anti-skid Stickers by Yorwe. Amazon.com. Dec. 19, 2016. <https://www.amazon.com/dp/B01N36UYZP/>. Accessed on Apr. 30, 2019.

Rug Grippers by Befayoo. Amazon.com. Jul. 25, 2018. <https://www.amazon.com/dp/B07FY1C72Z/>. Accessed on Apr. 30, 2019 (Year: 2018)

Rug Pads for Hardwood Floors & Outdoor Rugs by Dageda. Amazon.com. Feb. 22, 2019. <https://www.amazon.com/dp/B07P2G4QYB/>. Accessed on Apr. 30, 2019.

Election Restriction pertaining to U.S. Appl. No. 29/723,487 dated Jun. 29, 2020.

Election Restriction pertaining to U.S. Appl. No. 29/723,488 dated Jun. 29, 2020.

\* cited by examiner

Primary Examiner — Kevin K Rudzinski  
 Assistant Examiner — Clare Ann Gannon  
 (74) Attorney, Agent, or Firm — Dinsmore & Shohl LLP

(57)

CLAIM

The ornamental design for a pair of corner devices for a floor covering, as shown and described.

DESCRIPTION

FIG. 1 is a perspective view of the pair of corner devices for a floor covering, showing my new design in a position of use on an environmental floor covering, which is shown pulled back by a user;

FIG. 2 is a bottom plan view thereof;  
FIG. 3 is a top plan view thereof;  
FIG. 4 is a front elevation view thereof;  
FIG. 5 is a right elevation view thereof;  
FIG. 6 is a bottom plan view thereof, shown in an alternate configuration; and,  
FIG. 7 is a top plan view thereof, shown in an alternate configuration.

The broken lines in the drawings depict environment of the pair of corner devices that forms no part of the claim.

**1 Claim, 6 Drawing Sheets**

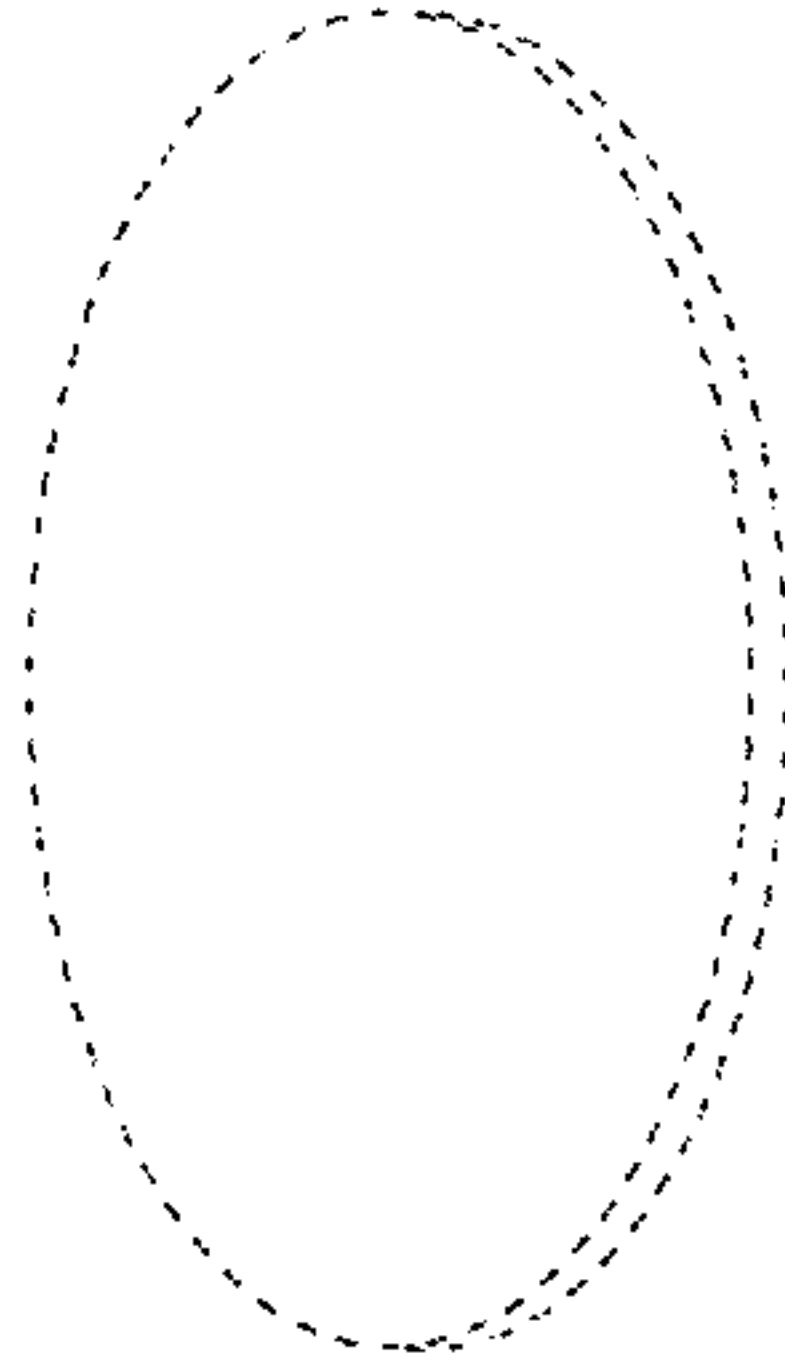
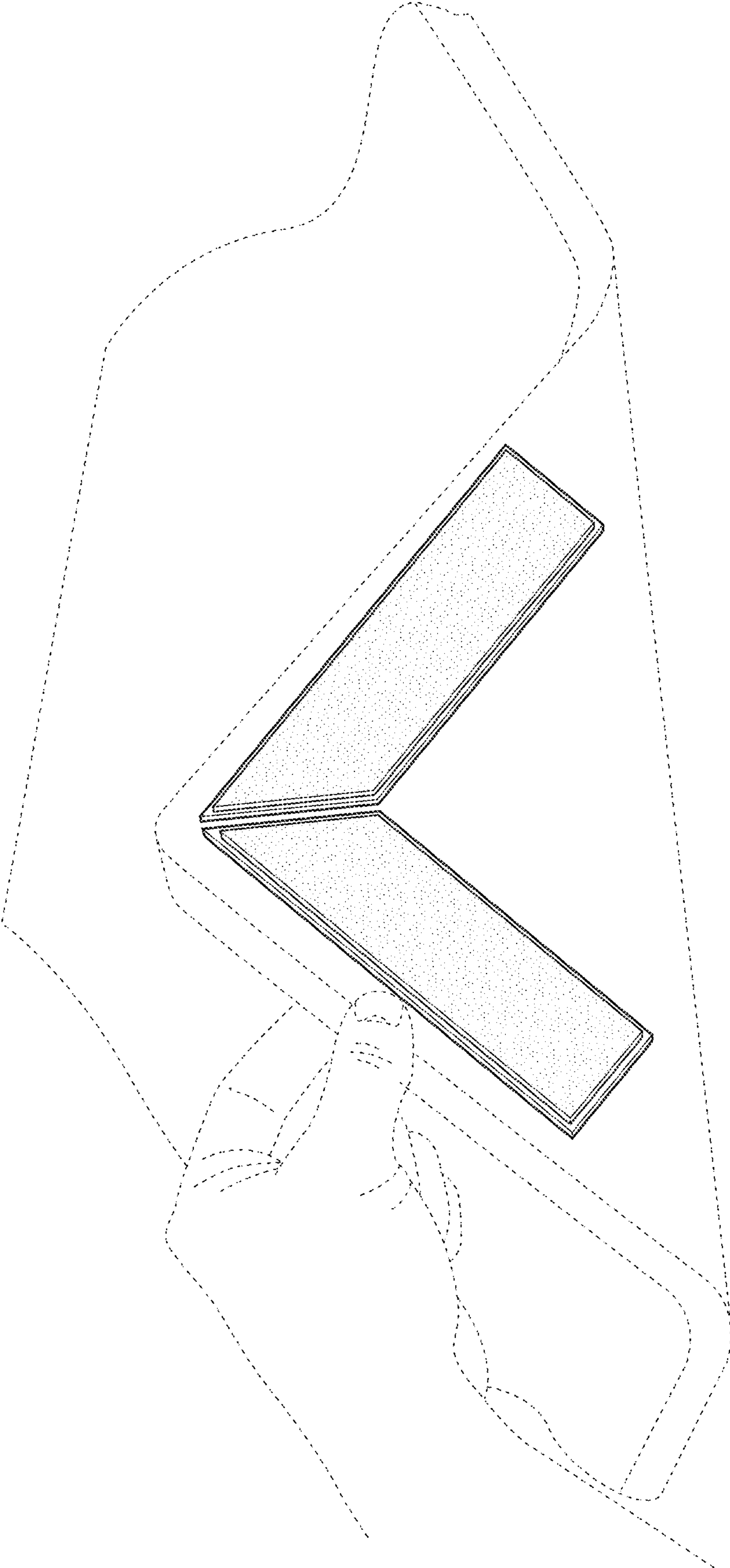
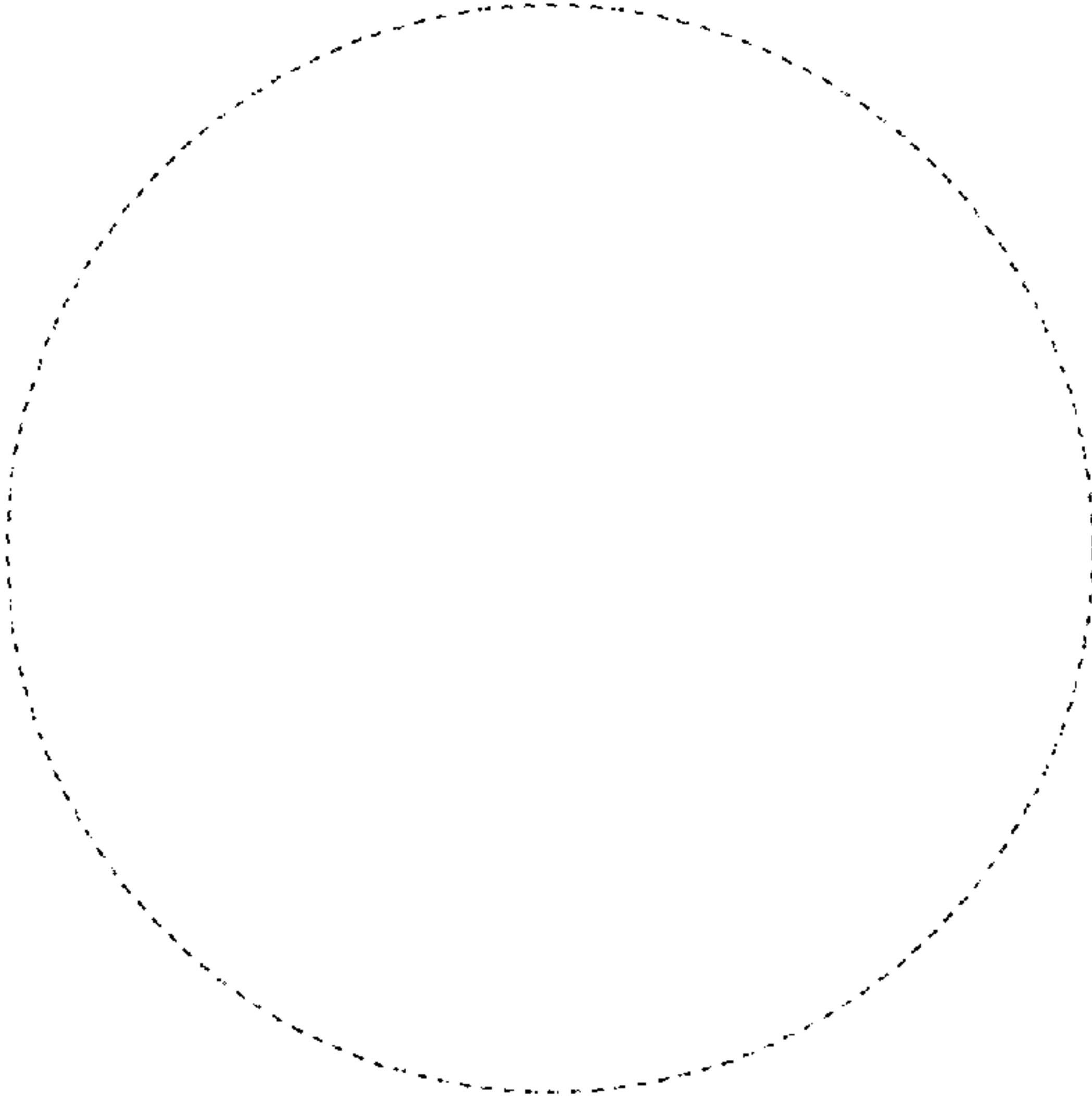
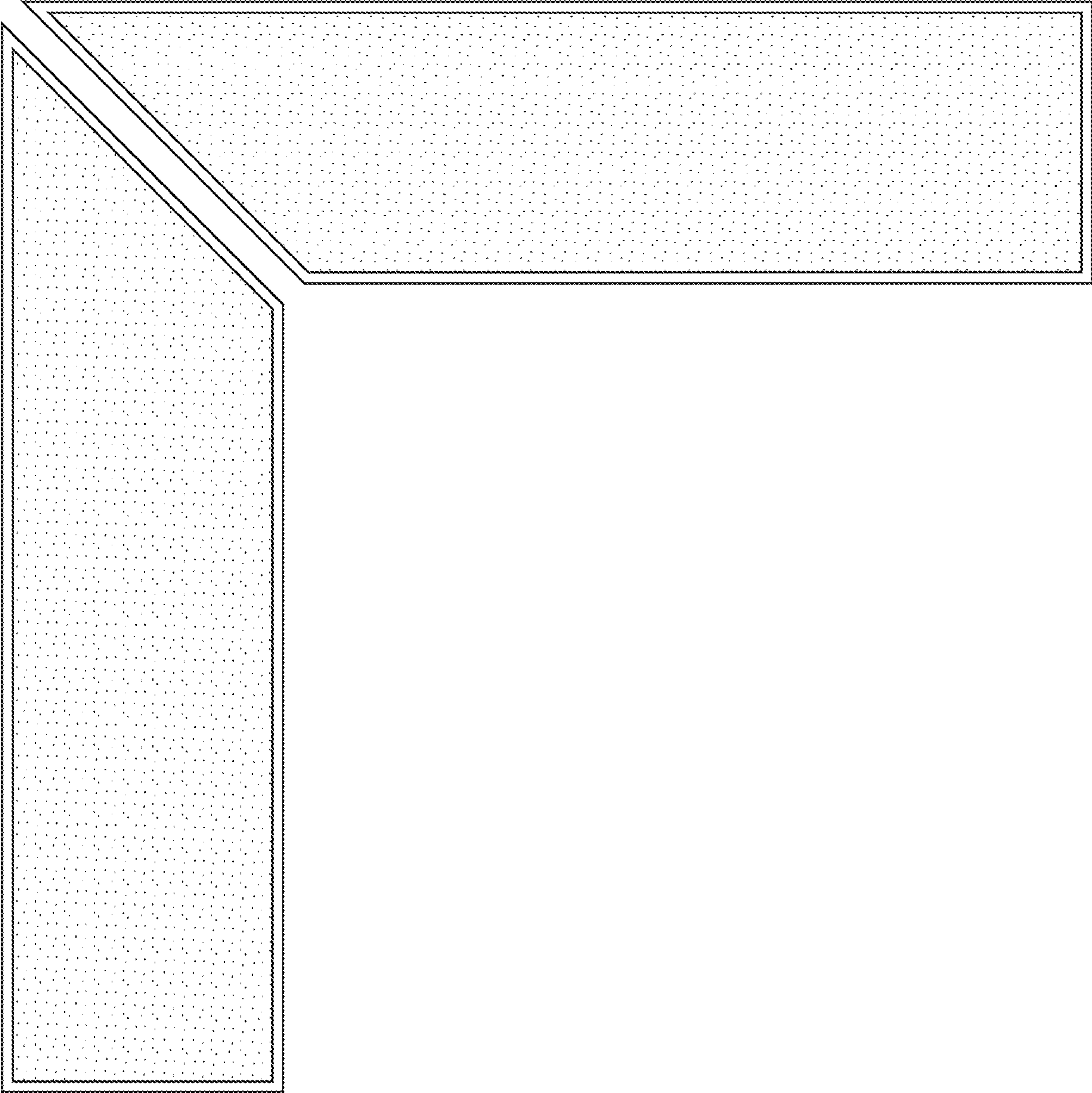
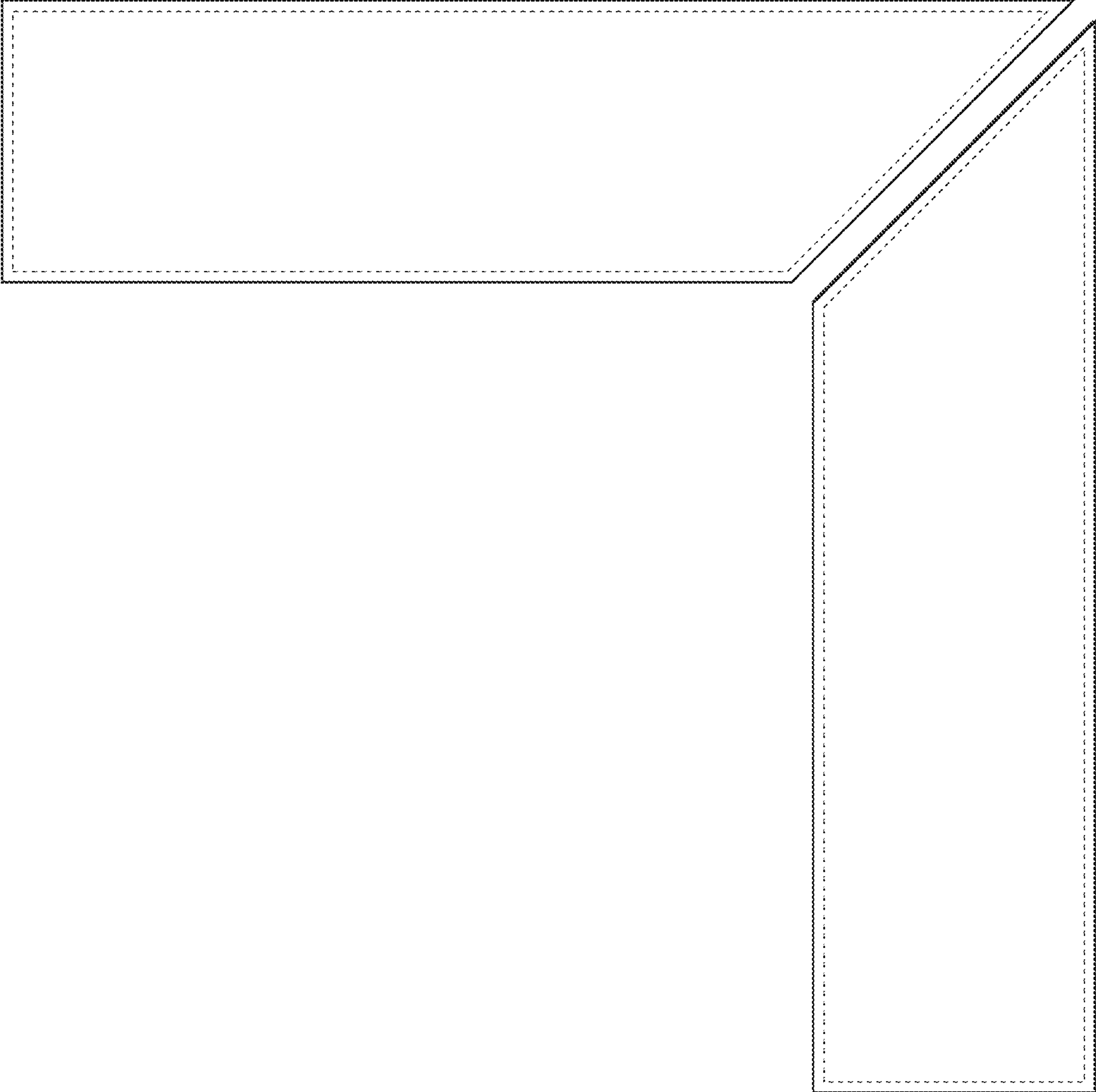


FIG. 1

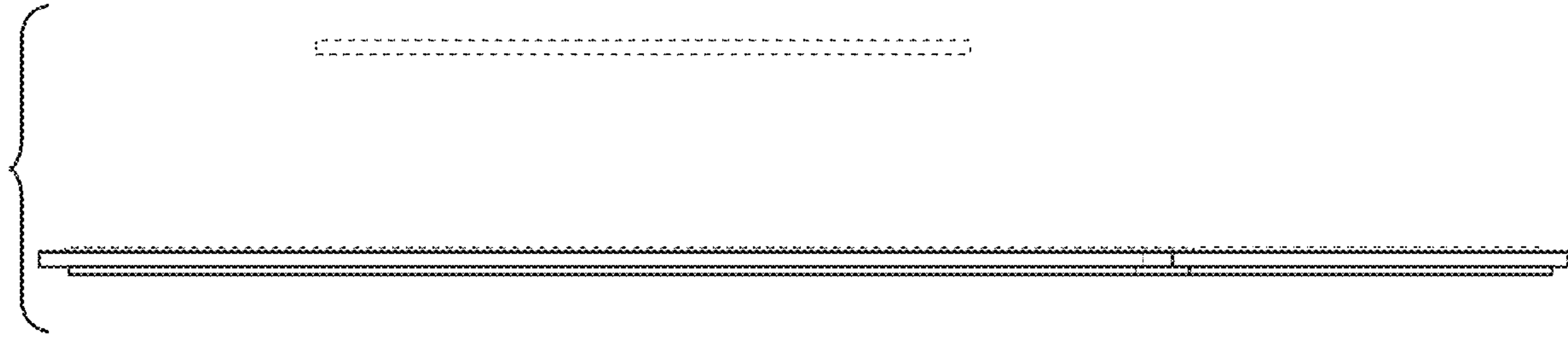




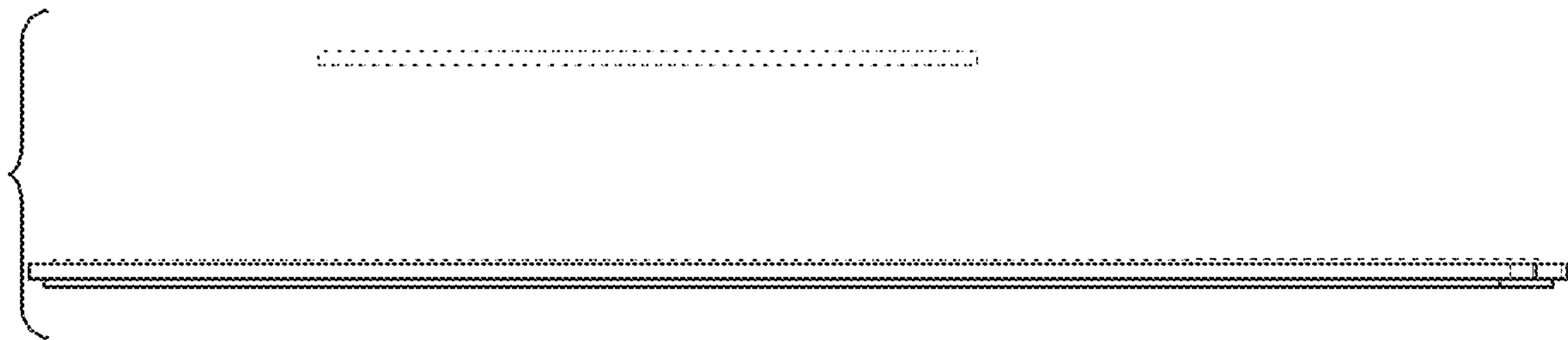
**FIG. 2**



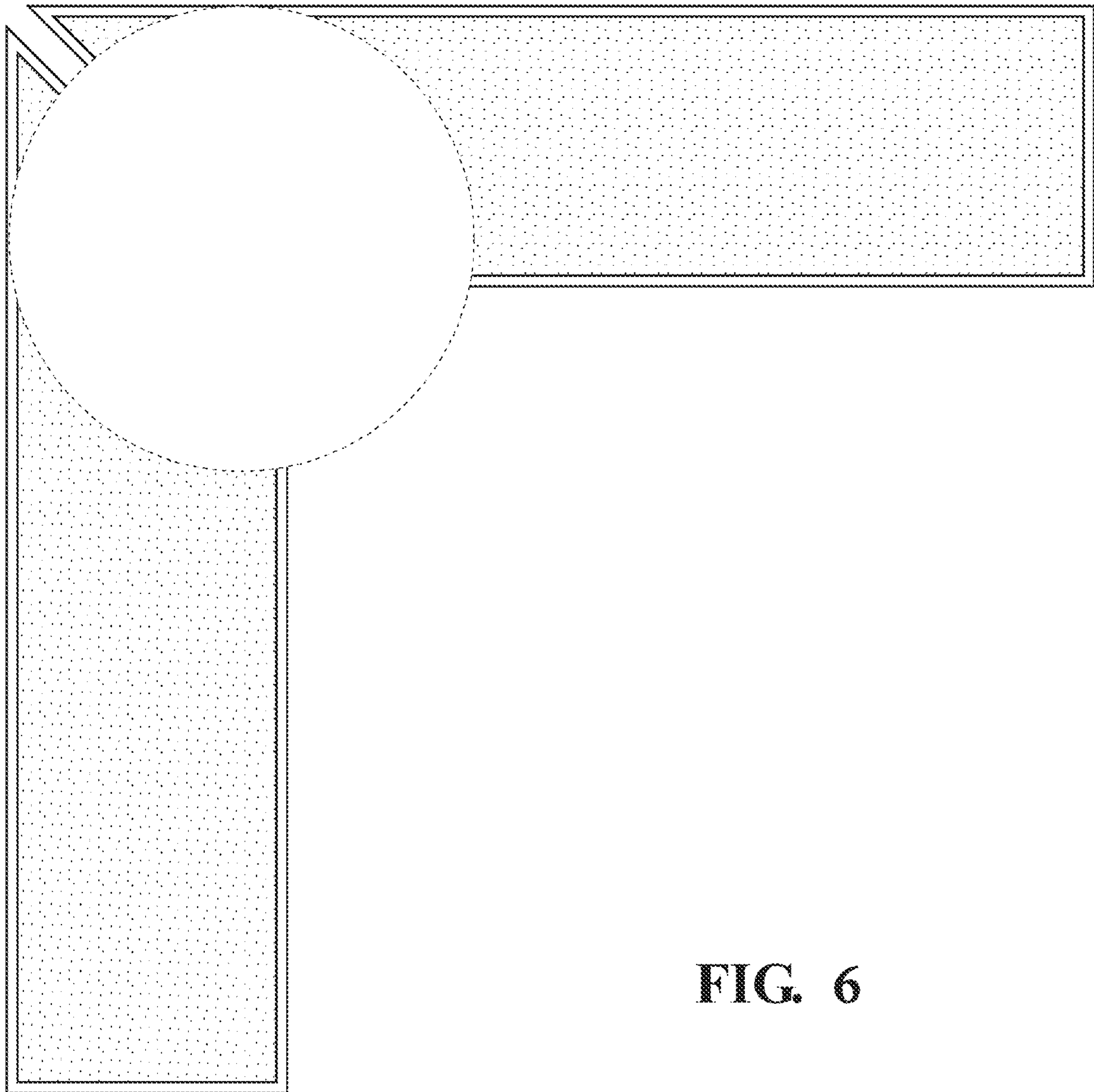
**FIG. 3**



**FIG. 4**

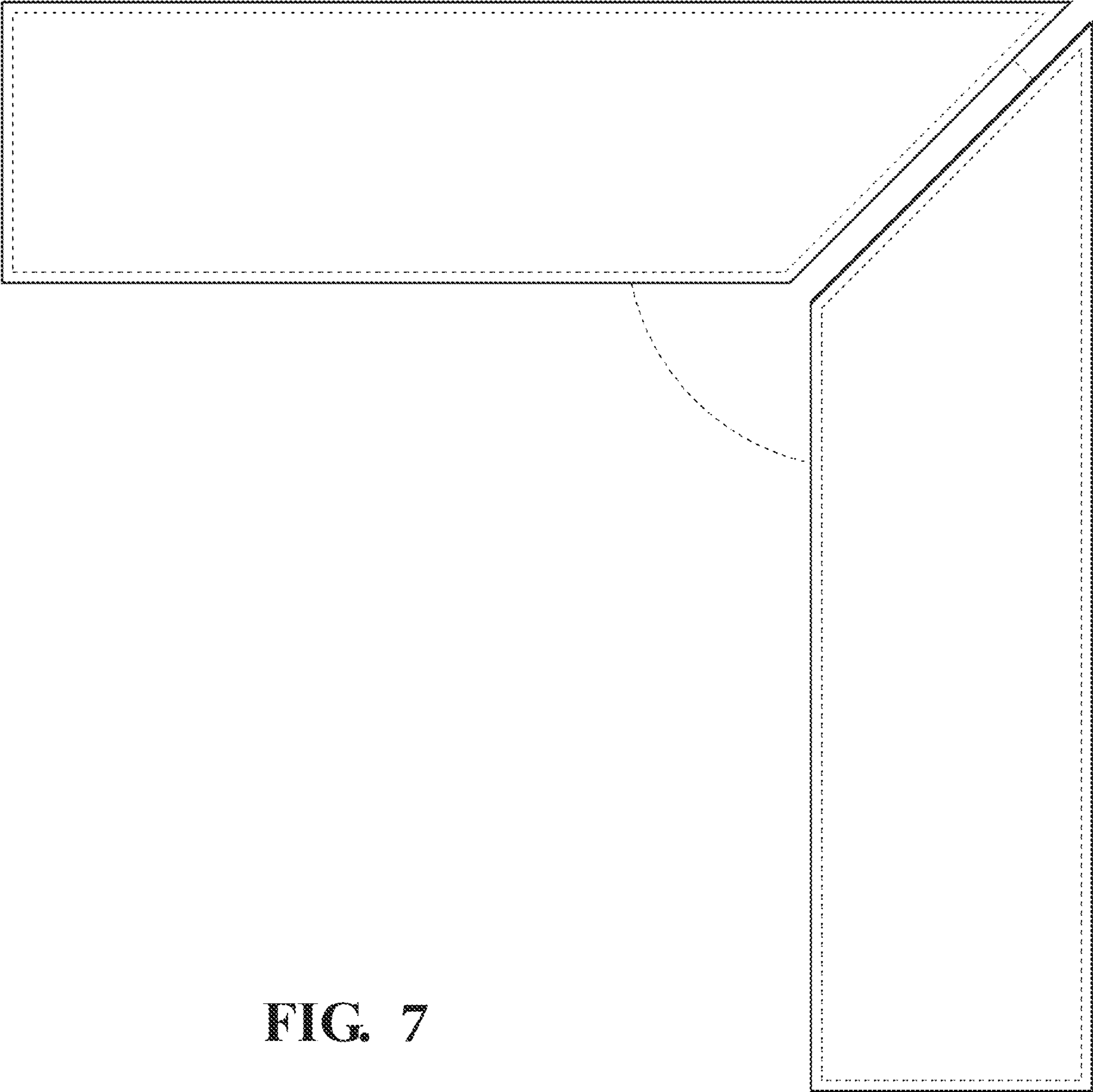


**FIG. 5**



**FIG. 6**





**FIG. 7**