



US00D917203S

(12) **United States Design Patent** (10) **Patent No.:** **US D917,203 S**  
**Goodman et al.** (45) **Date of Patent:** **\*\* Apr. 27, 2021**

(54) **TRAY**  
(71) Applicant: **Spectrum Diversified Designs, LLC**,  
Streetsboro, OH (US)  
(72) Inventors: **Aaron Goodman**, Beachwood, OH  
(US); **Courtney Wilson**, Chardon, OH  
(US)  
(73) Assignee: **SPECTRUM DIVERSIFIED  
DESIGNS, LLC**, Streetsboro, OH (US)  
(\*\*) Term: **15 Years**  
(21) Appl. No.: **29/596,726**  
(22) Filed: **Mar. 10, 2017**  
(51) **LOC (13) Cl.** ..... **06-04**  
(52) **U.S. Cl.**  
USPC ..... **D6/566**  
(58) **Field of Classification Search**  
USPC .... D6/313, 317, 675.1, 675.2, 566; D3/304,  
D3/306  
CPC ..... A47J 47/18; A47J 45/00; B65D 1/38  
See application file for complete search history.

(56) **References Cited**

**U.S. PATENT DOCUMENTS**

D507,108 S \* 7/2005 Suero, Jr. .... D3/304  
D508,167 S \* 8/2005 Anderson ..... D3/306  
D508,321 S \* 8/2005 Anderson ..... D3/306  
D554,417 S \* 11/2007 Thorsteinsson ..... D6/566  
D554,419 S \* 11/2007 Thompson ..... D6/566  
D616,680 S \* 6/2010 Snider ..... D6/513  
D702,439 S \* 4/2014 Noll ..... D3/304  
D784,721 S \* 4/2017 Goodman ..... D6/525  
D786,557 S \* 5/2017 Goodman ..... D3/306  
D796,771 S \* 9/2017 Bacallao ..... D34/27  
D808,742 S \* 1/2018 Lee ..... D7/637  
D838,979 S \* 1/2019 Goodman ..... D3/304  
D907,397 S \* 1/2021 Huang ..... D6/562

D908,358 S \* 1/2021 Zhai ..... D3/306  
D909,138 S \* 2/2021 Song ..... D7/600.4  
2004/0007549 A1\* 1/2004 Klein ..... A47B 55/02  
211/118  
2018/0172340 A1\* 6/2018 Cizik ..... F25D 11/00

**OTHER PUBLICATIONS**

[https://www.amazon.com/Spectrum-Diversified-Industrial-Pegboard-Station/dp/B0751B33BS/ref=sr\\_1\\_fkmr1\\_1?keywords=Spectrum%20E2%84%A2+Pegboard+Basket+and+Hook+Station+in+Grey&qid=1584383616&s=office-products&sr=8-1-fkmr1](https://www.amazon.com/Spectrum-Diversified-Industrial-Pegboard-Station/dp/B0751B33BS/ref=sr_1_fkmr1_1?keywords=Spectrum%20E2%84%A2+Pegboard+Basket+and+Hook+Station+in+Grey&qid=1584383616&s=office-products&sr=8-1-fkmr1) (Year: 2018).\*  
“Metal Coat Rack Wall Mounted Wire Basket” Aug. 21, 2017, Amazon.com, visited Mar. 8, 2021: <https://www.amazon.com/WALL35-Sicily-Unique-Metal-Basket/dp/B074ZMFRNH/> (Year: 2017).\*  
“mDesign Household Wire Drawer Organizer Tray” Nov. 28, 2016, Amazon.com, visited Mar. 8, 2021: <https://www.amazon.com/mDesign-Household-Organizer-Cabinets-Bathrooms/dp/B01N1LS17Y/> (Year: 2016).\*

(Continued)

*Primary Examiner* — Jack Reickel  
*Assistant Examiner* — Keith J Wilson  
(74) *Attorney, Agent, or Firm* — Tucker Ellis LLP

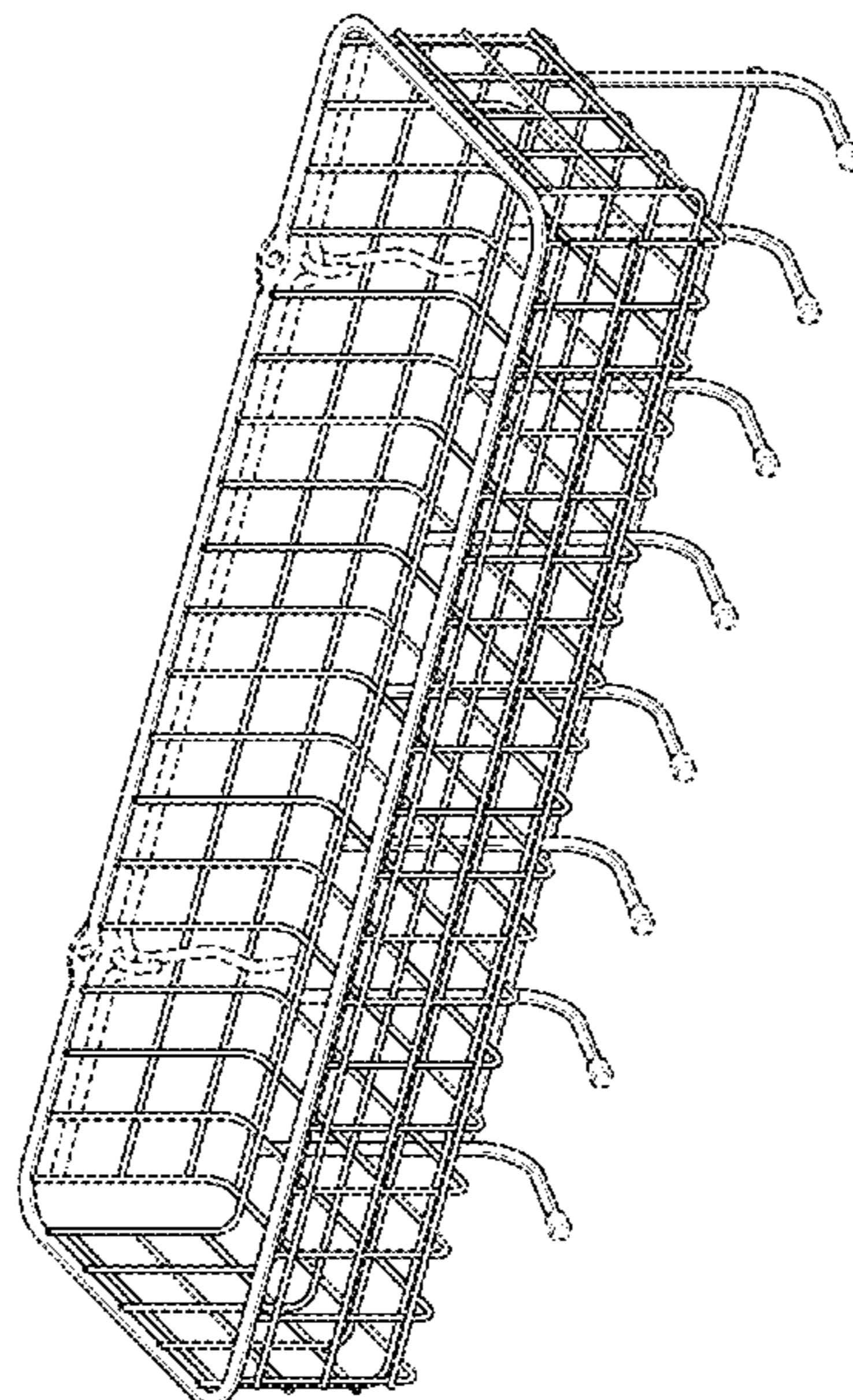
(57) **CLAIM**

The ornamental design for a tray, as shown and described.

**DESCRIPTION**

FIG. 1 is a perspective view of a tray showing our new design.  
FIG. 2 is a front view thereof.  
FIG. 3 is a rear view thereof.  
FIG. 4 is a right side view thereof, a left side view being a mirror image.  
FIG. 5 is a top view thereof; and,  
FIG. 6 is a bottom view thereof.  
The broken lines shown represent portions of a tray and form no part of the claimed design.

**1 Claim, 6 Drawing Sheets**



(56)

**References Cited**

OTHER PUBLICATIONS

“Modern Black Metal Wall Mounted Key and Mail Sorter Storage Rack w/Chicken Wire Mesh Basket” Dec. 28, 2016, Amazon.com, visited Mar. 10, 2021: <https://www.amazon.com/Modern-Mounted-Sorter-Storage-Chicken/dp/B01N7MFUG7/> (Year: 2016).\*

\* cited by examiner

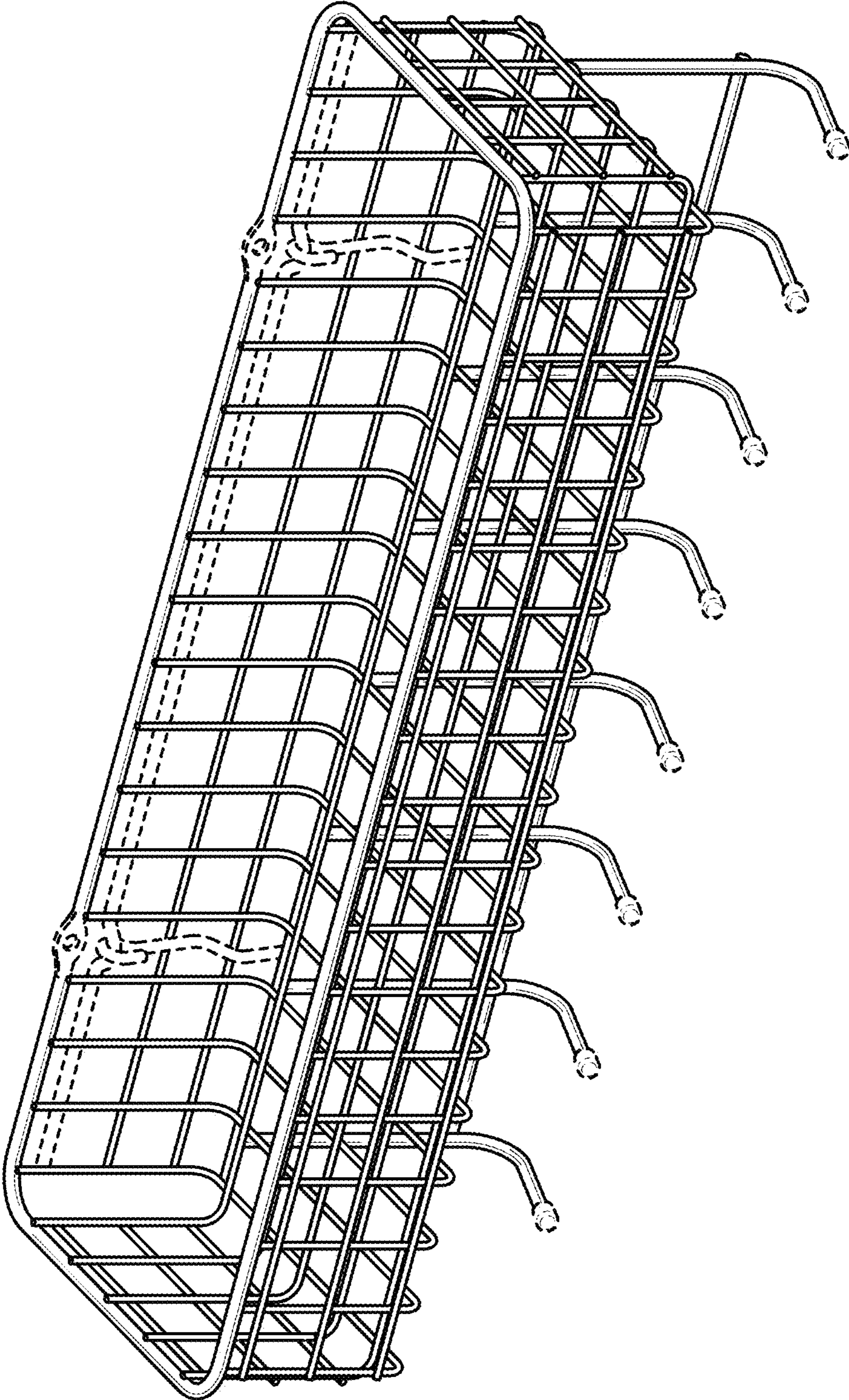


FIG. 1

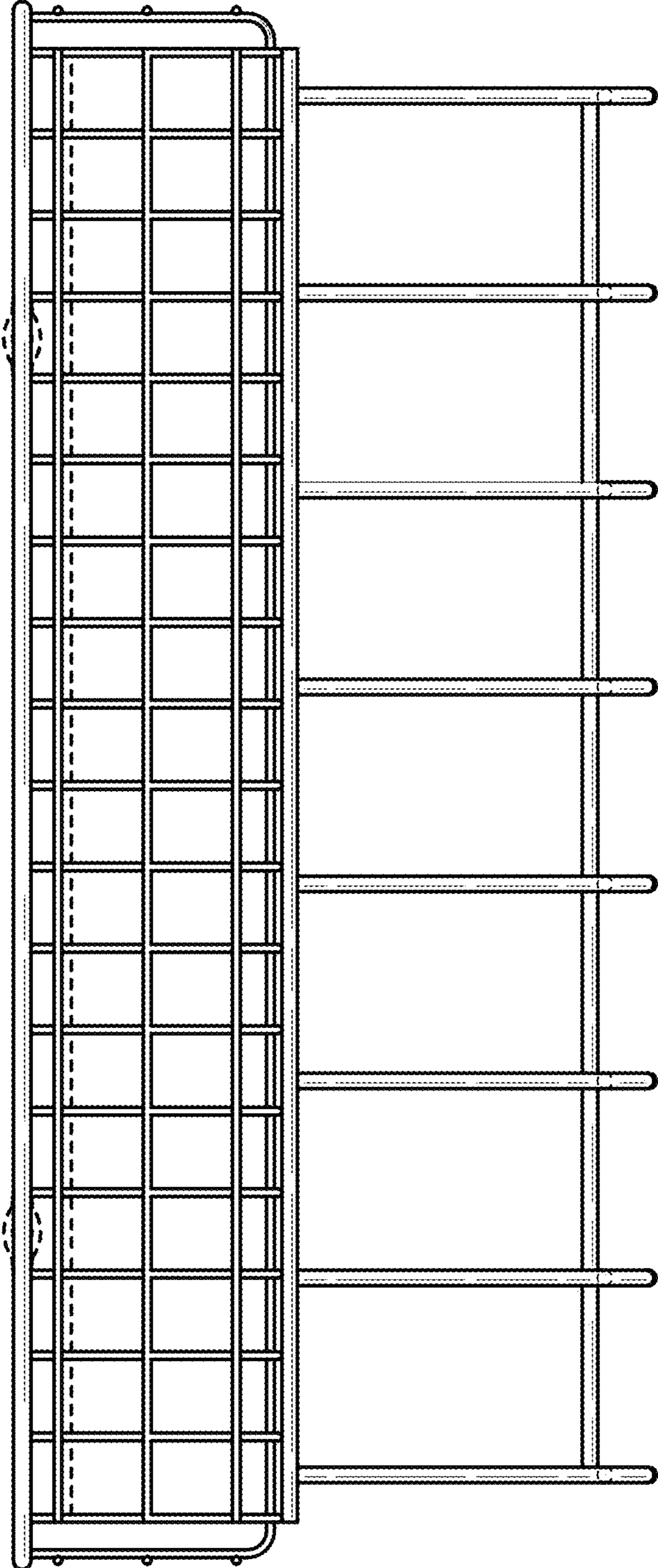


FIG. 2

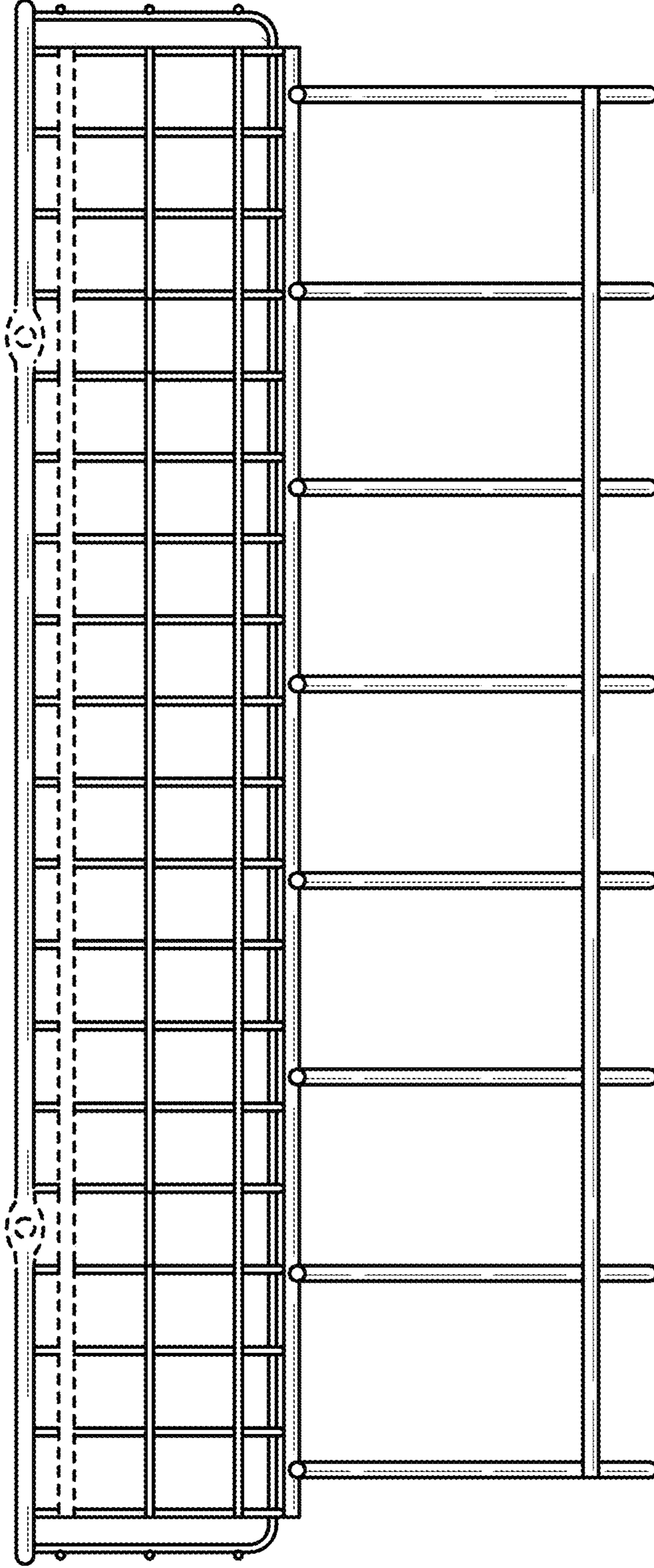


FIG. 3

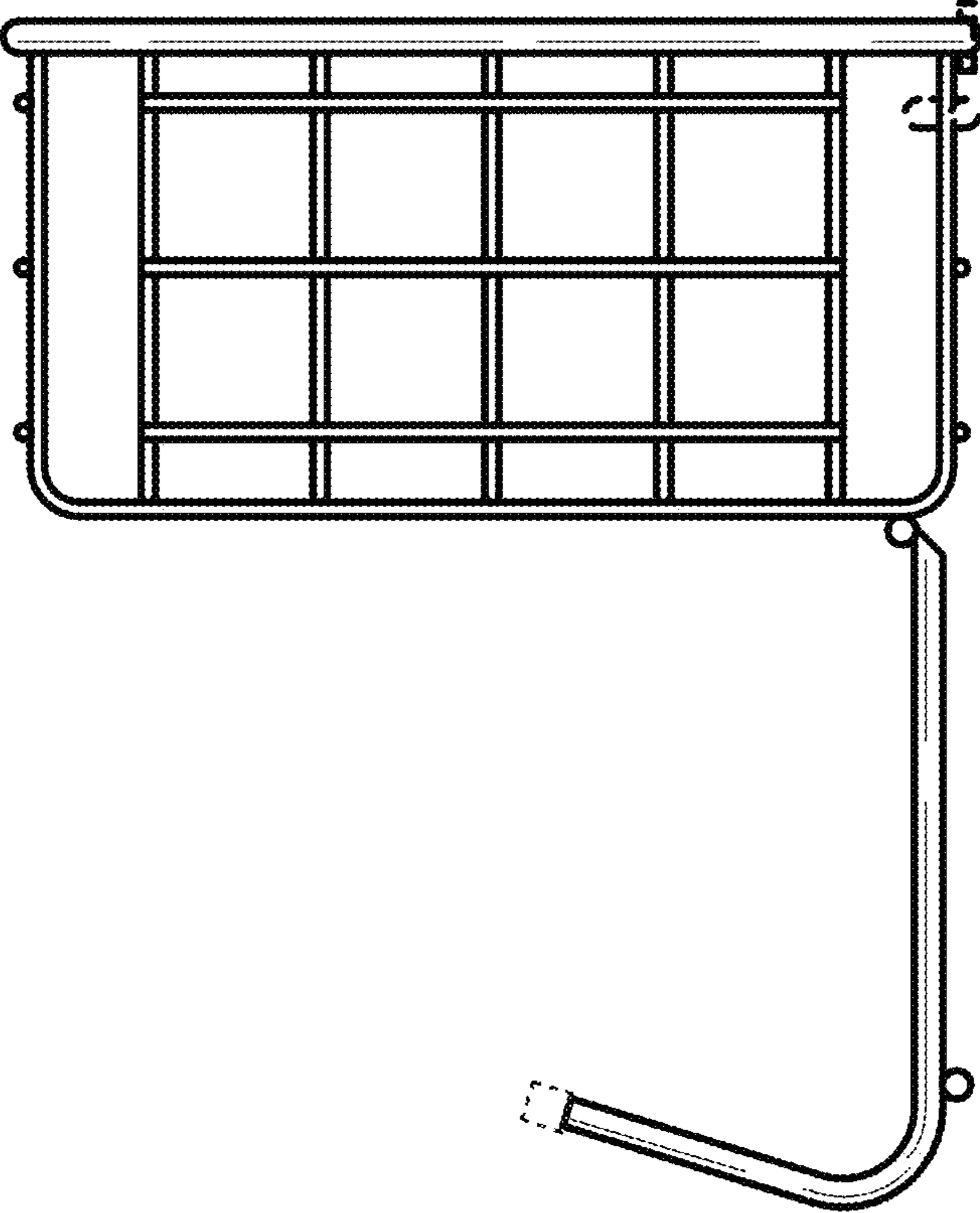


FIG. 4

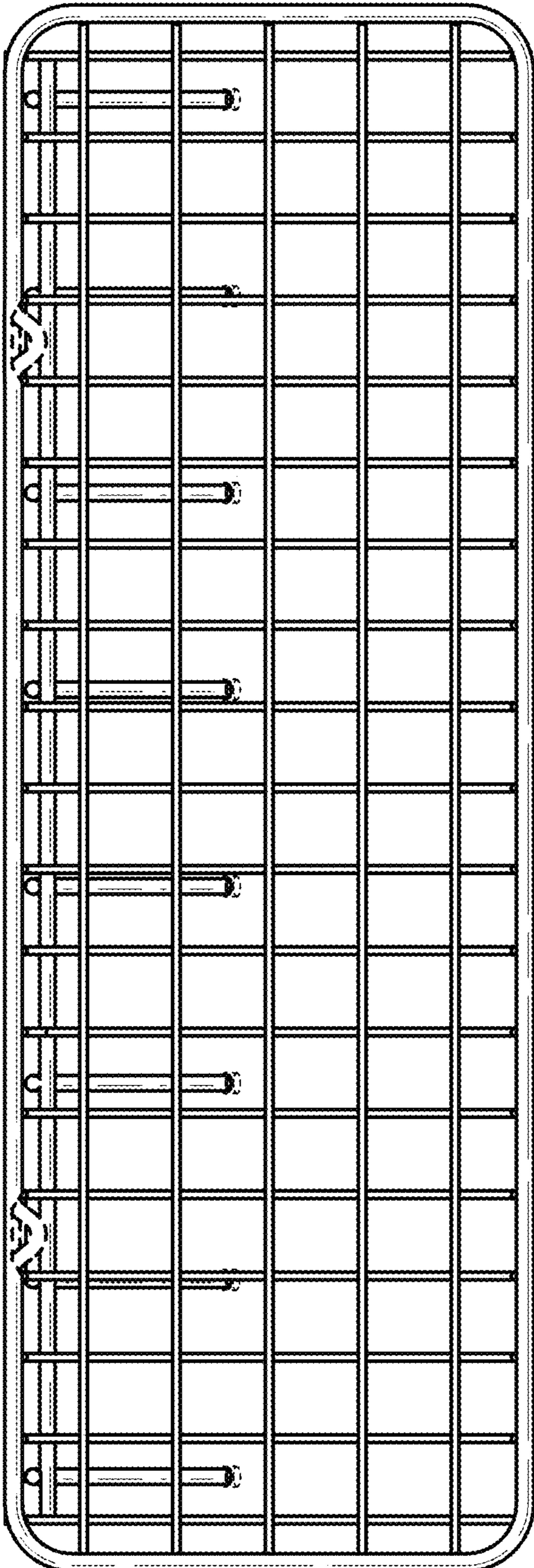


FIG. 5

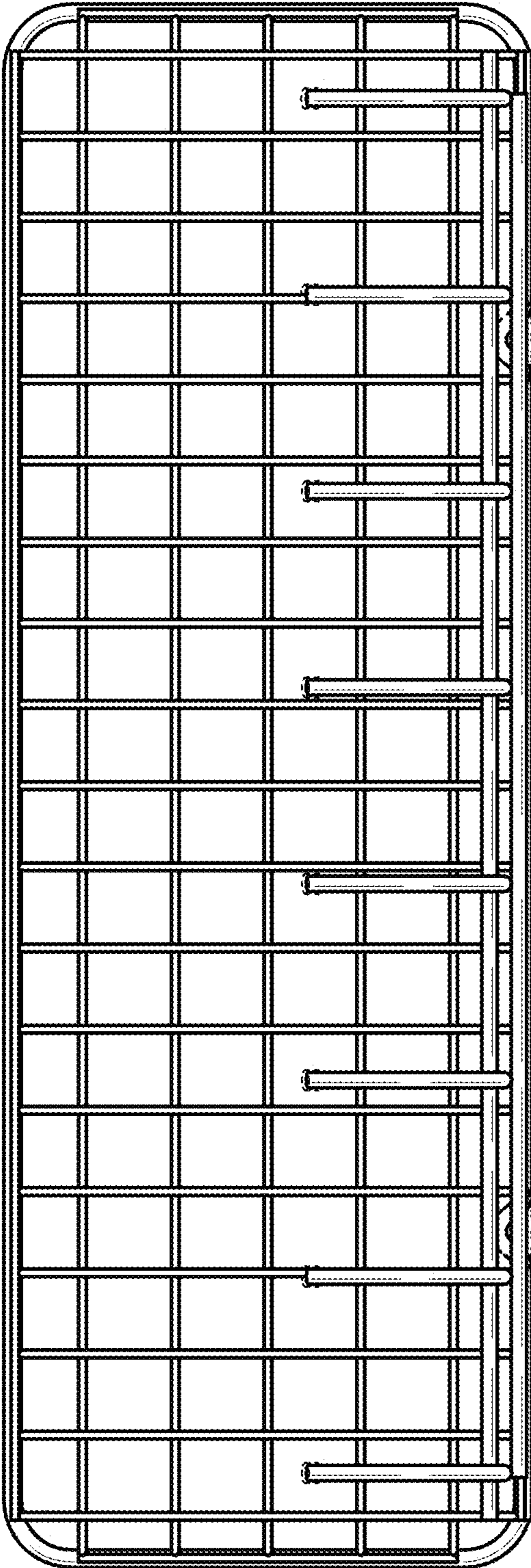


FIG. 6