



US00D917202S

(12) **United States Design Patent**
Chang Chien

(10) **Patent No.:** **US D917,202 S**

(45) **Date of Patent:** **** Apr. 27, 2021**

(54) **CORNER RACK**

D654,745 S * 2/2012 Chuang D6/562
D773,854 S * 12/2016 Preston D6/562

(71) Applicant: **EP Family Corp.**, Walnut, CA (US)

* cited by examiner

(72) Inventor: **Peiling Chang Chien**, Walnut, CA (US)

Primary Examiner — Mark Booker

(**) Term: **15 Years**

(74) *Attorney, Agent, or Firm* — Tommy S F Wang;
Wang IP Law Group, P.C.

(21) Appl. No.: **29/707,657**

(57) **CLAIM**

The ornamental design for a corner rack, as shown and described.

(22) Filed: **Sep. 30, 2019**

DESCRIPTION

(51) **LOC (13) Cl.** **06-04**

(52) **U.S. Cl.**

USPC **D6/562**

(58) **Field of Classification Search**

USPC D6/562, 320–324, 574, 672; D7/698;
D26/72; 108/28–29, 152; 211/13.1, 42,
211/86.01, 88.01, 90.01, 90.03, 126.1,
211/134, 153; 248/205.3, 235, 243, 247,
248/250

CPC A47B 43/00; A47B 43/04; A47B 47/0066;
A47B 47/04; A47B 63/00; A47B 69/00;
A47B 71/00; B65D 5/00; B65D 5/02;
B65D 5/18; B65D 5/20

See application file for complete search history.

FIG. 1 is a perspective view of a corner rack showing my new design;
FIG. 2 is a front view thereof;
FIG. 3 is a rear view thereof;
FIG. 4 is a left side view thereof;
FIG. 5 is a right side view thereof;
FIG. 6 is a top view thereof;
FIG. 7 is a bottom view thereof;
FIG. 8 is another perspective view thereof with one tier of rack being removed;
FIG. 9 is the other perspective view thereof in a folded node with one tier of rack being removed;
FIG. 10 is the other perspective view thereof with the other tier of rack being coupled; and,
FIG. 11 is an enlarged view of an indicated portion of FIG. 8.

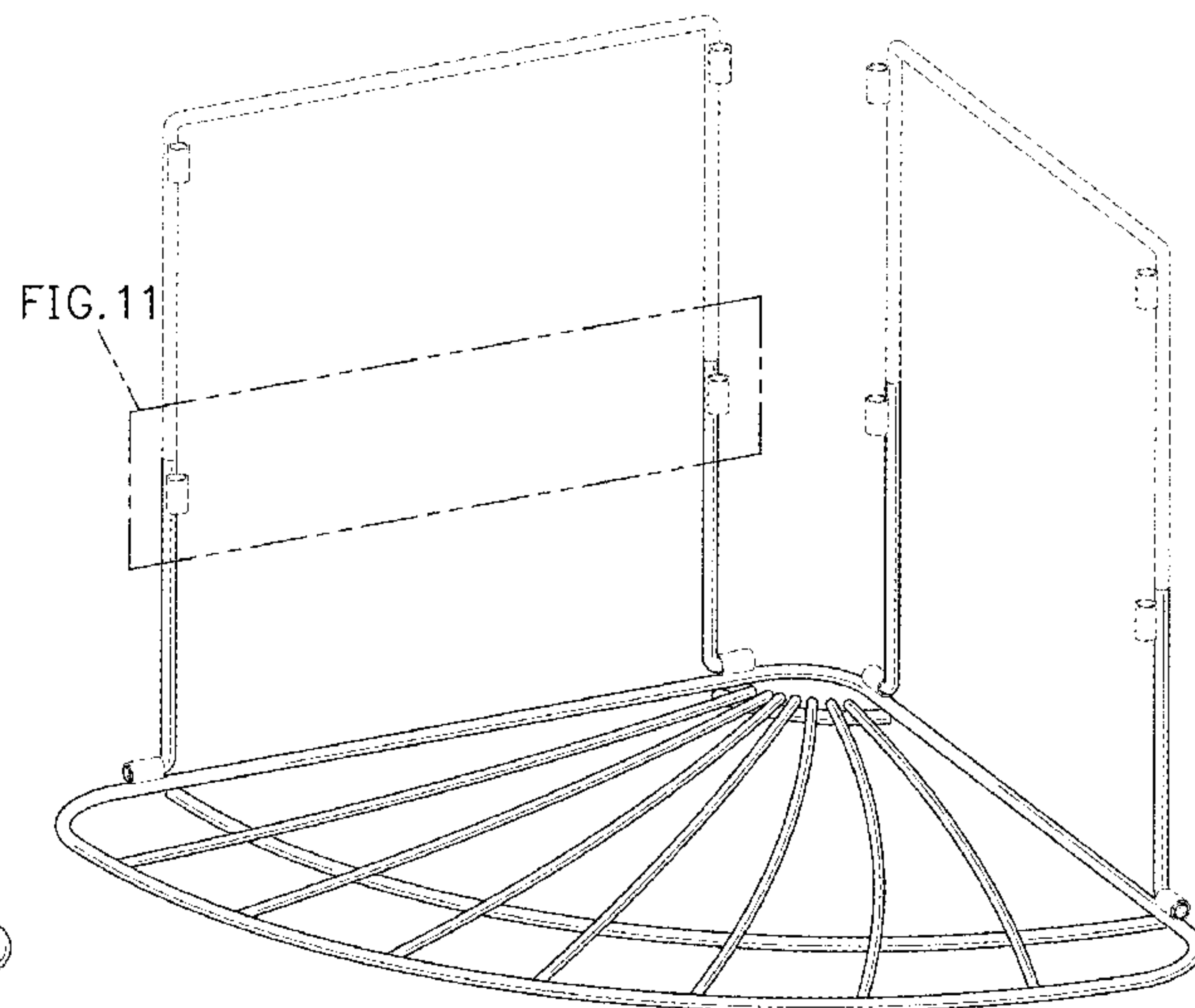
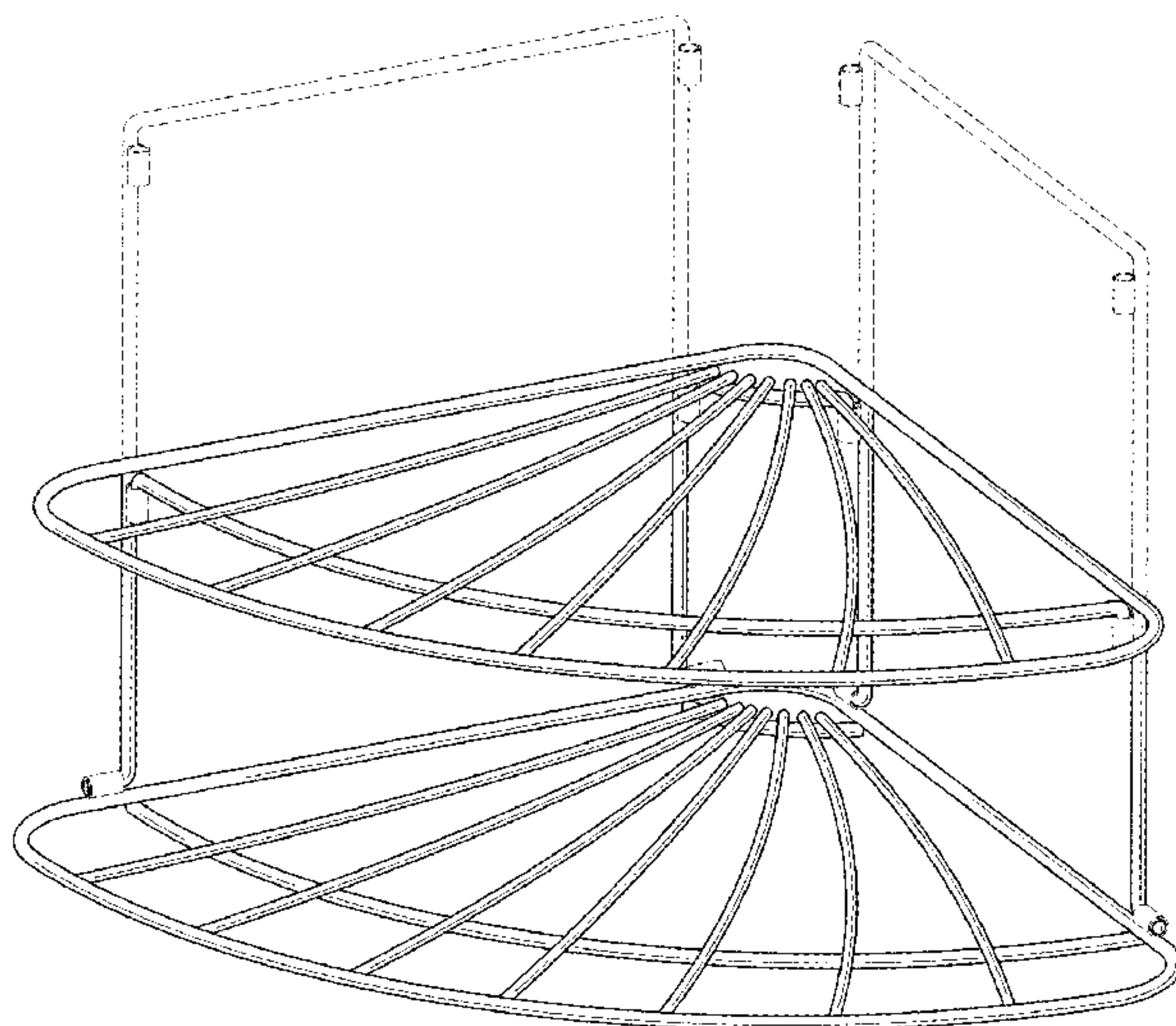
(56) **References Cited**

U.S. PATENT DOCUMENTS

D395,186 S * 6/1998 Pollack D6/562
D399,380 S * 10/1998 Kyle D6/562
D448,959 S * 10/2001 Campos D6/562
D551,887 S * 10/2007 Webster D6/562
D599,148 S * 9/2009 Murphy D6/562

The broken lines shown in the figures represent portions of the corner rack that form no part of the claimed design. The dot-dash broken lines in FIGS. 3-5, 8-9 and 11 represents boundaries to the claimed design and forms no part of the claimed design. The dot dot-dash broken lines shown in FIGS. 8 and 11 represents an outline that does not form part of the claimed design.

1 Claim, 11 Drawing Sheets



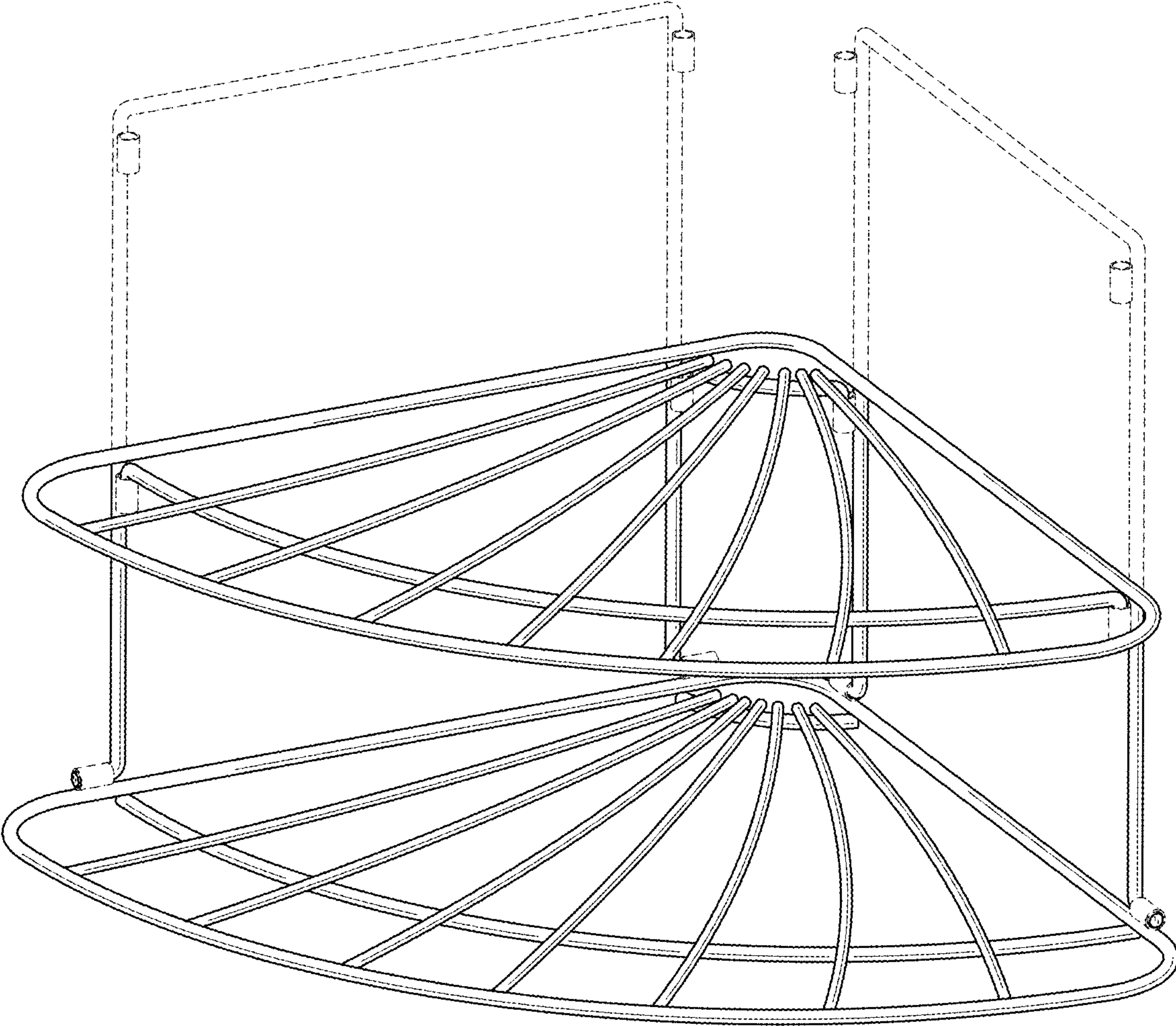


FIG. 1

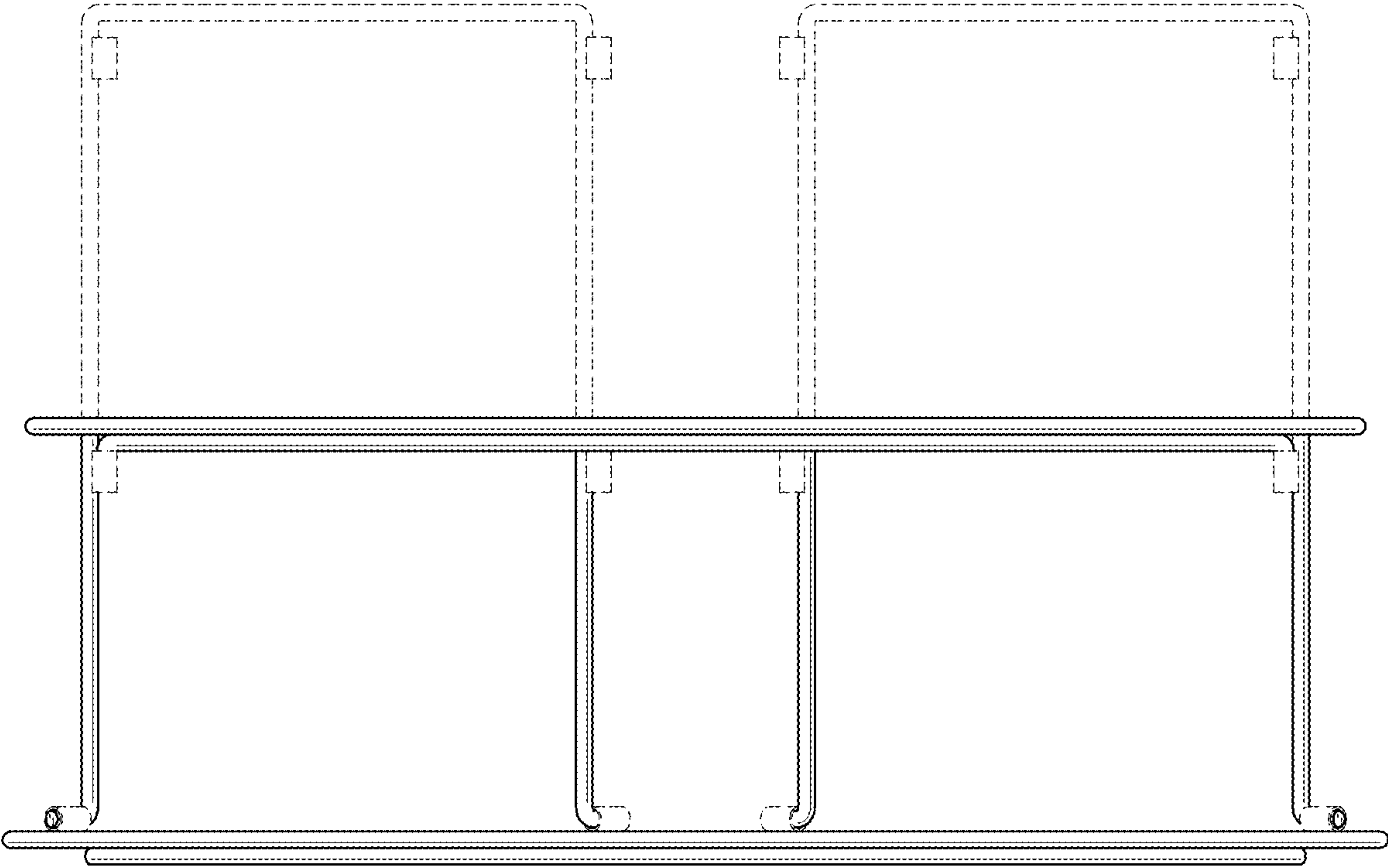


FIG. 2

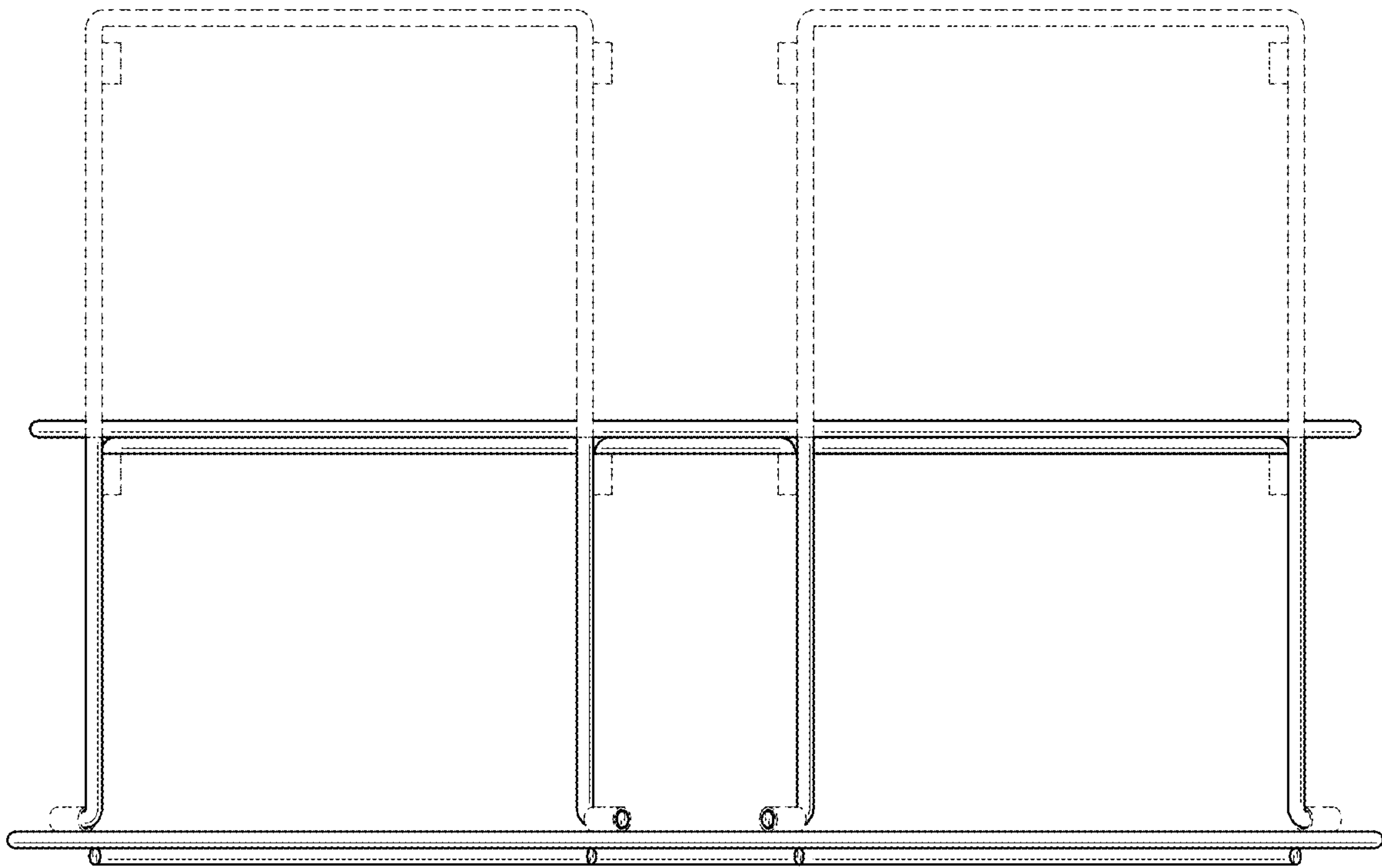


FIG. 3

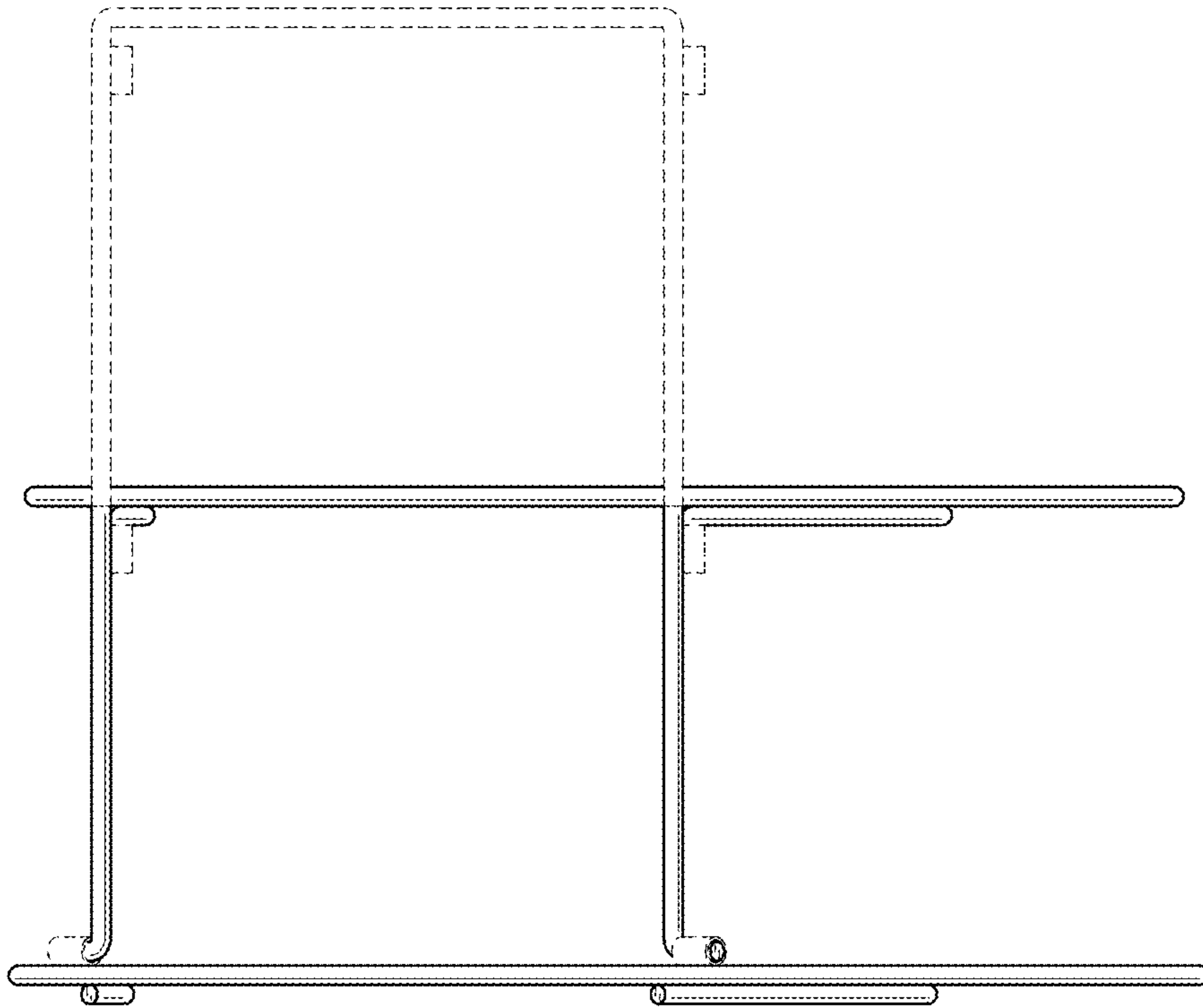


FIG. 4

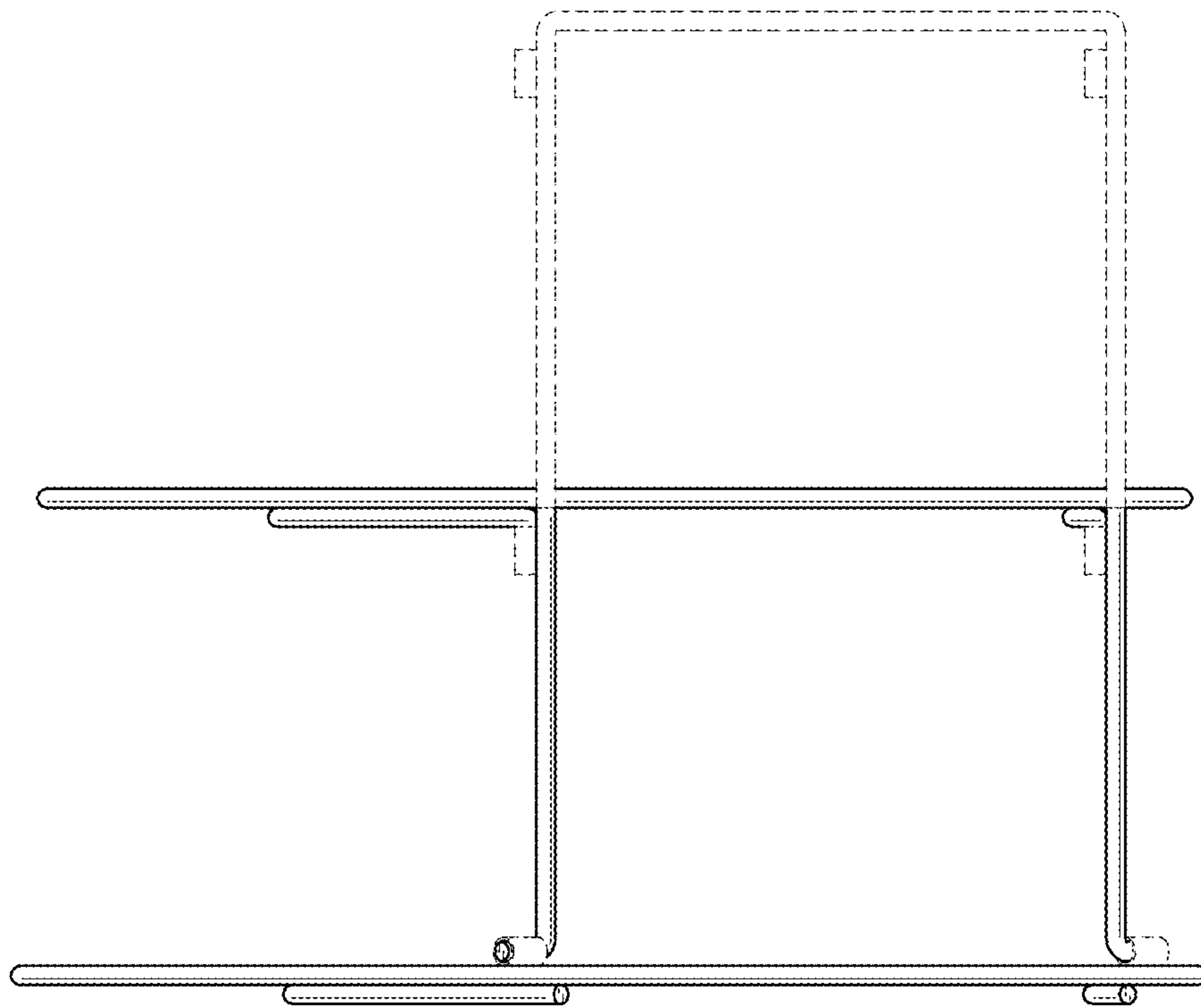


FIG. 5

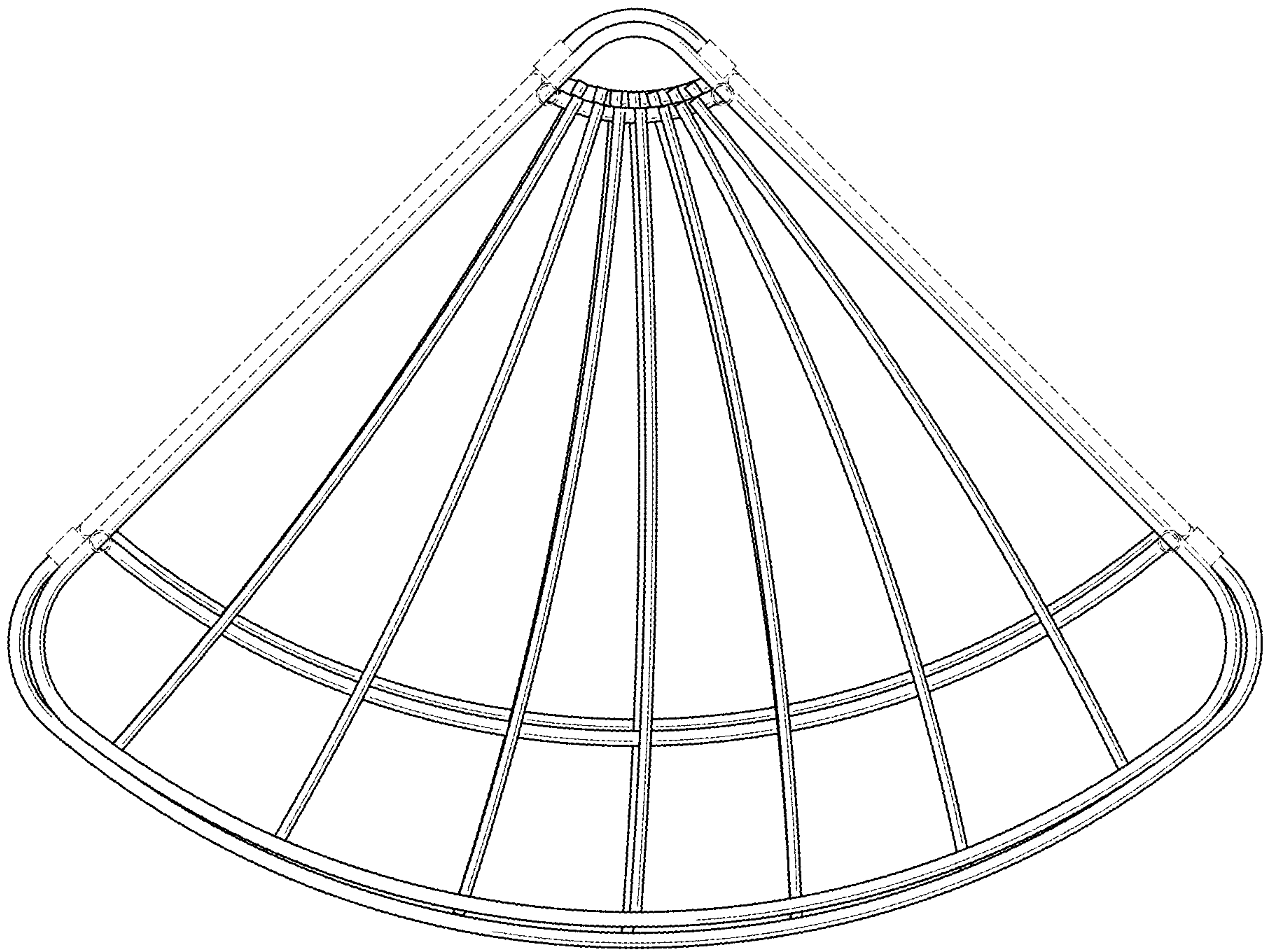


FIG. 6

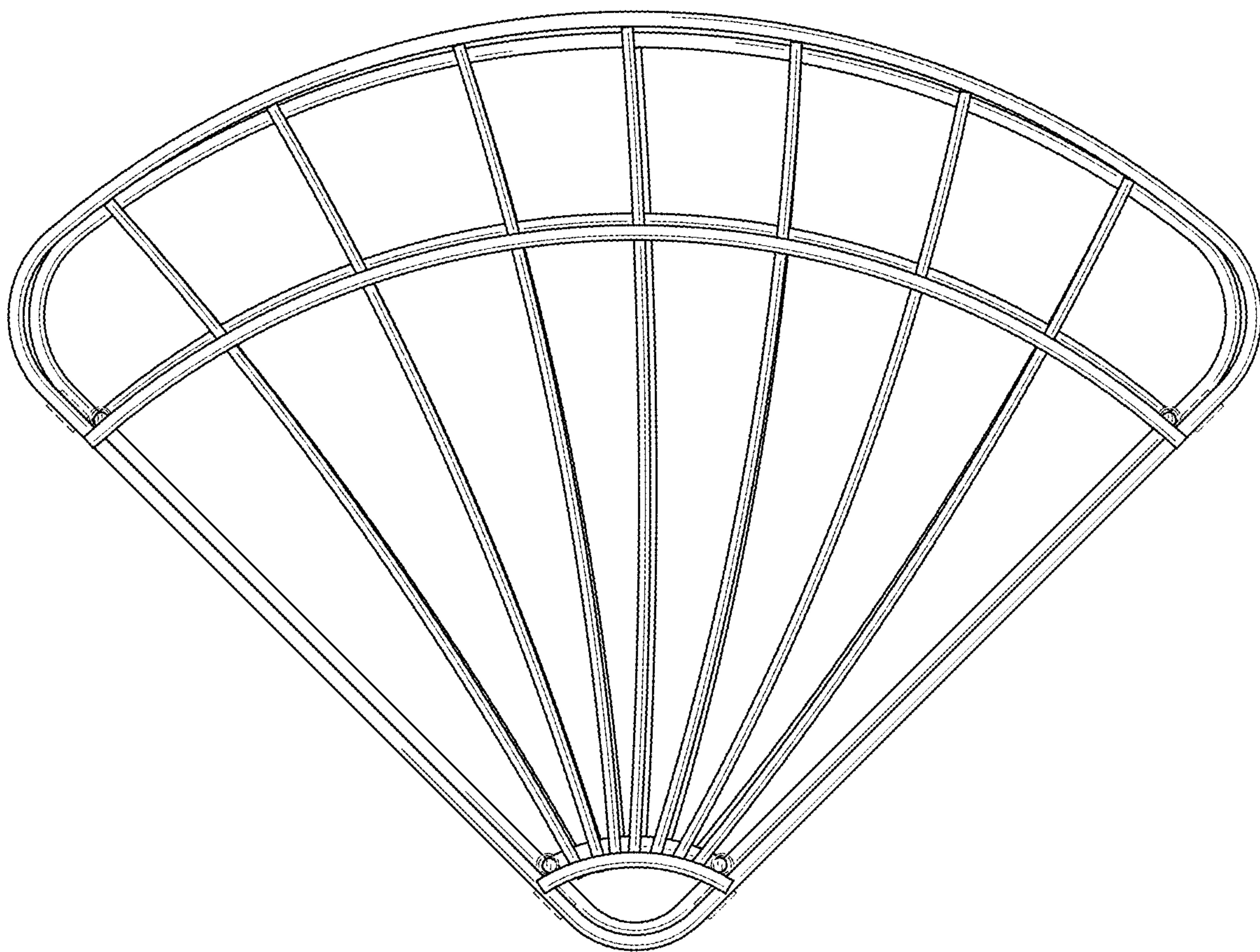


FIG. 7

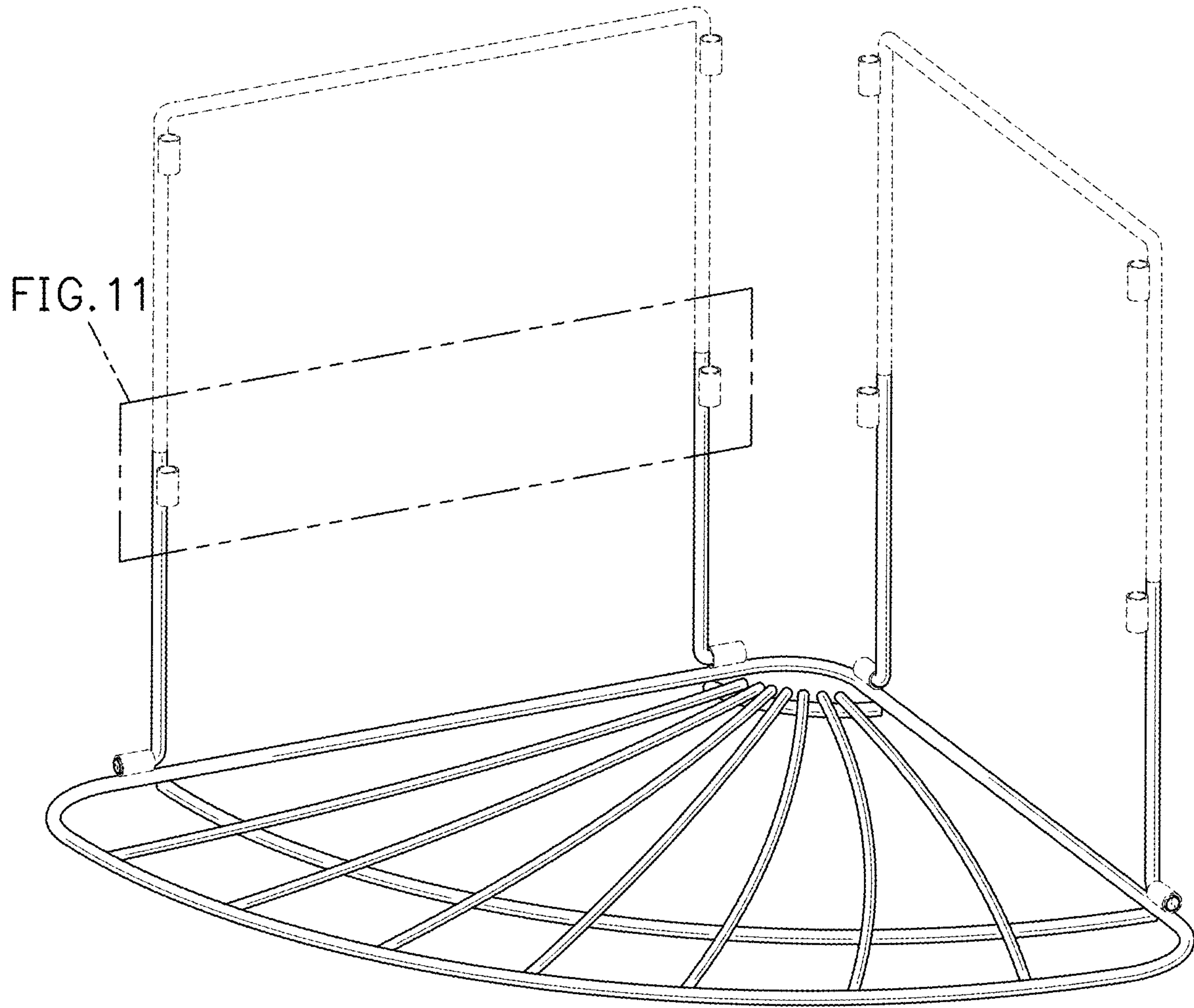


FIG. 8

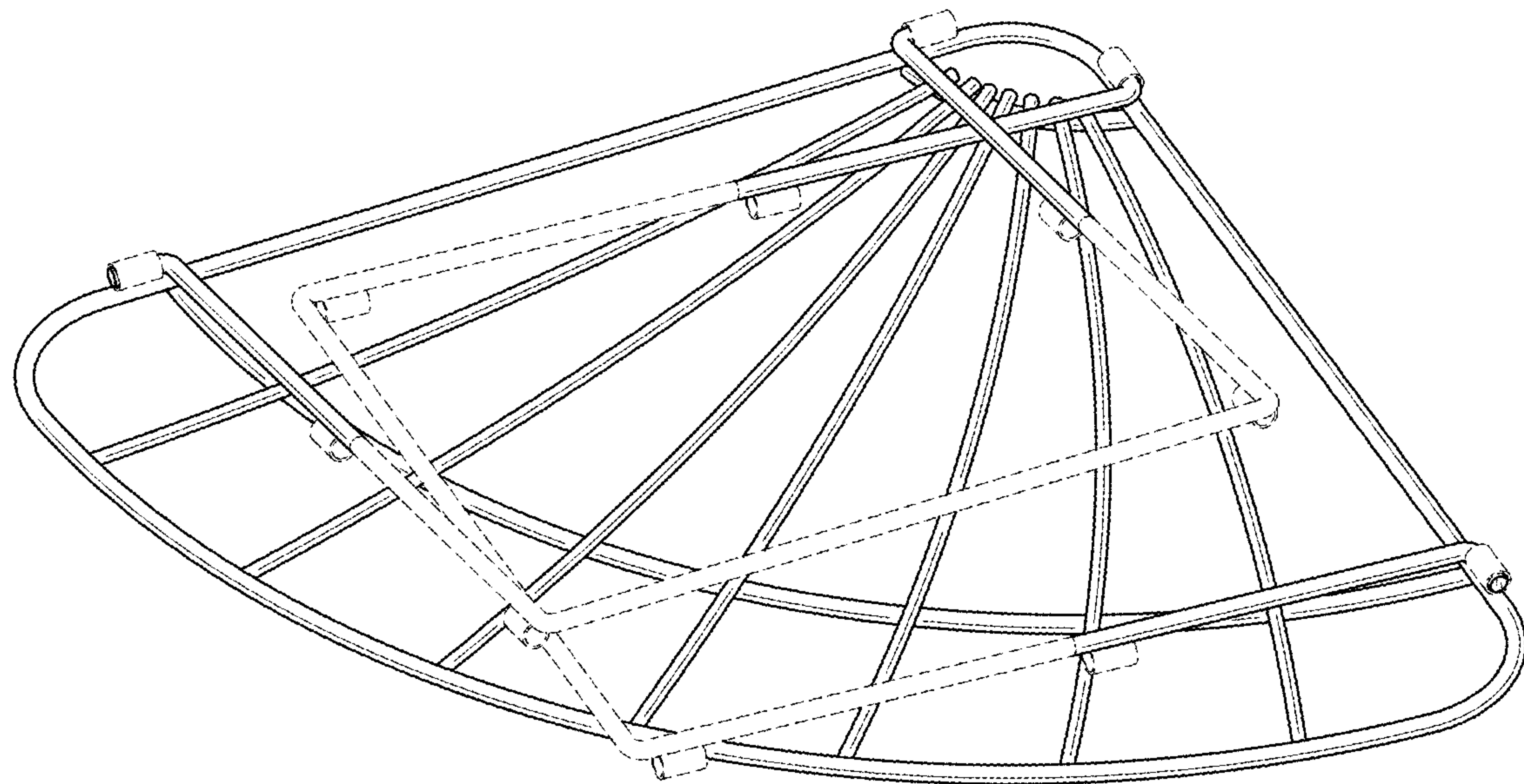


FIG. 9

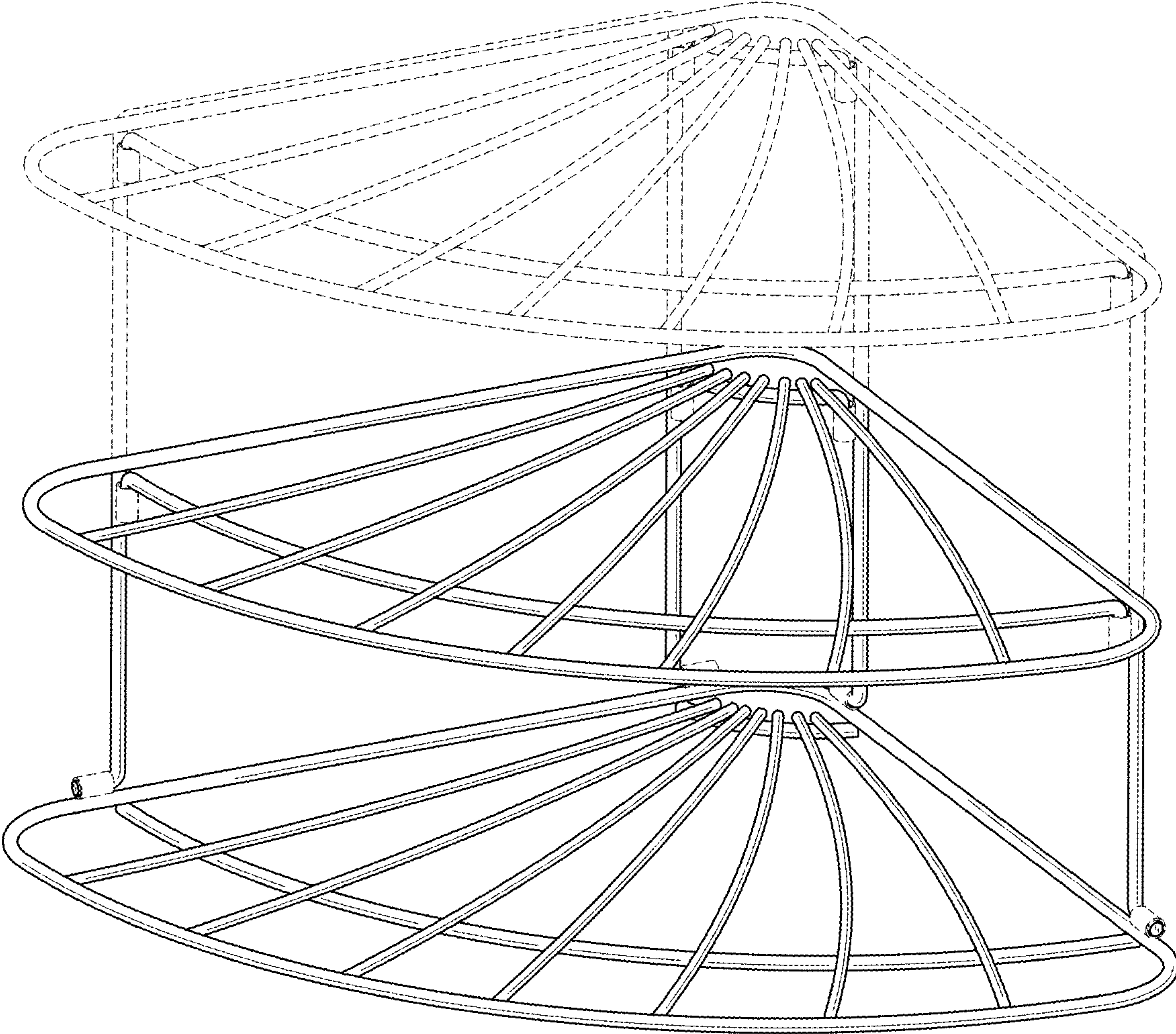


FIG. 10

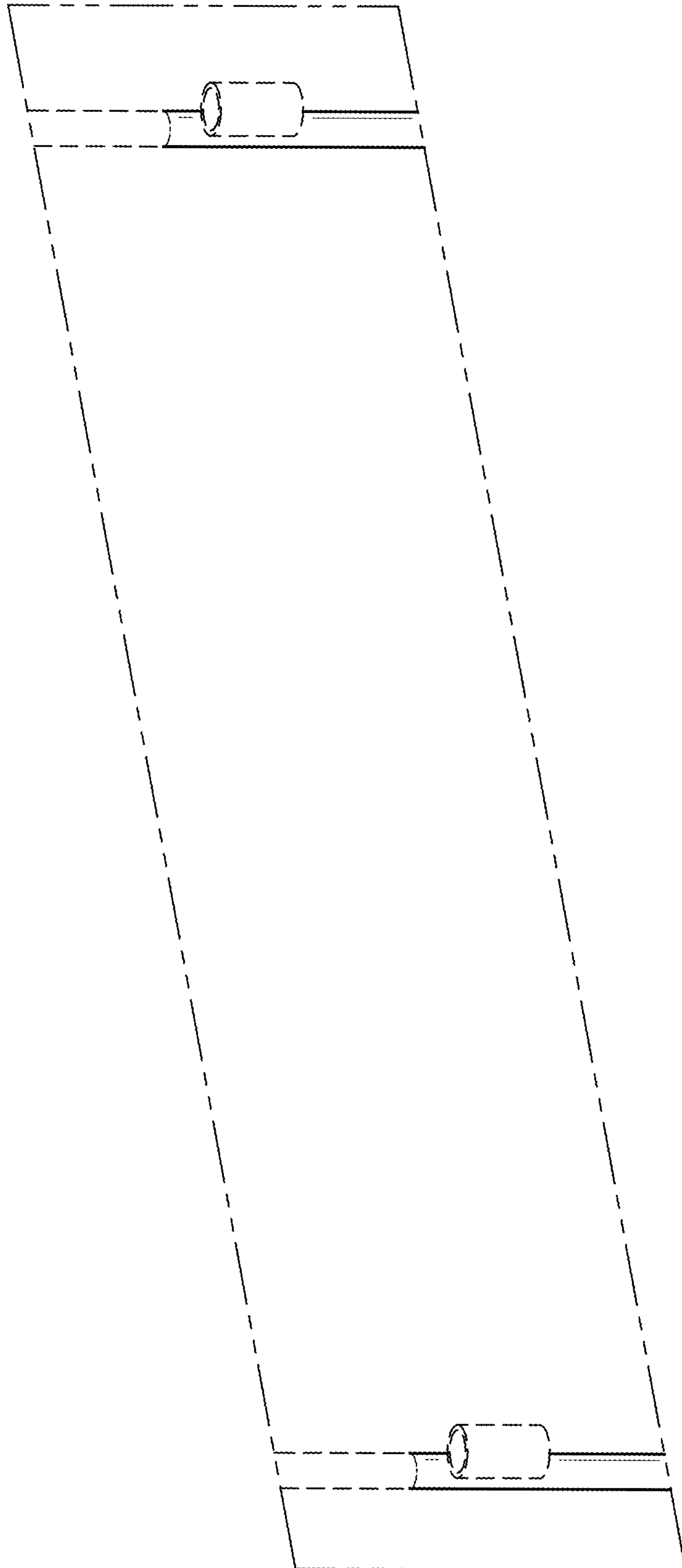


FIG. 11