



US00D917198S

(12) **United States Design Patent**  
**Xie**

(10) **Patent No.:** **US D917,198 S**

(45) **Date of Patent:** **\*\* Apr. 27, 2021**

- (54) **AUTOMATIC TOUCHLESS SOAP DISPENSER**
- (71) Applicant: **Xiaoyan Xie**, Yongzhou (CN)
- (72) Inventor: **Xiaoyan Xie**, Yongzhou (CN)
- (\*\*) Term: **15 Years**
- (21) Appl. No.: **29/743,988**
- (22) Filed: **Jul. 26, 2020**
- (51) **LOC (13) Cl.** ..... **23-02**
- (52) **U.S. Cl.**  
USPC ..... **D6/545**
- (58) **Field of Classification Search**  
USPC ..... D6/545, 542, 543-544; 221/208, 282,  
221/283; 222/105, 173, 180, 181.1,  
222/181.2, 181.3  
CPC ..... A47K 5/12; A47K 5/1204; A47K 5/1205;  
A47K 5/1207; A47K 5/08; A47K 5/1214;  
A47K 5/1215; A47K 5/14; A47K 5/16;  
A47K 7/04  
See application file for complete search history.

- D503,576 S \* 4/2005 Reynolds ..... D6/545
- D568,659 S \* 5/2008 Ophardt ..... D6/545
- D801,722 S \* 11/2017 Indruk ..... D6/545
- D806,435 S \* 1/2018 Santoro ..... D6/545
- D831,377 S \* 10/2018 Blick ..... D6/545
- D881,407 S 4/2020 Li
- D884,208 S 5/2020 Xie

\* cited by examiner

*Primary Examiner* — Mark Booker

(74) *Attorney, Agent, or Firm* — Erson IP (Nelson IP)

(57) **CLAIM**

The ornamental design for an automatic touchless soap dispenser, as shown and described.

**DESCRIPTION**

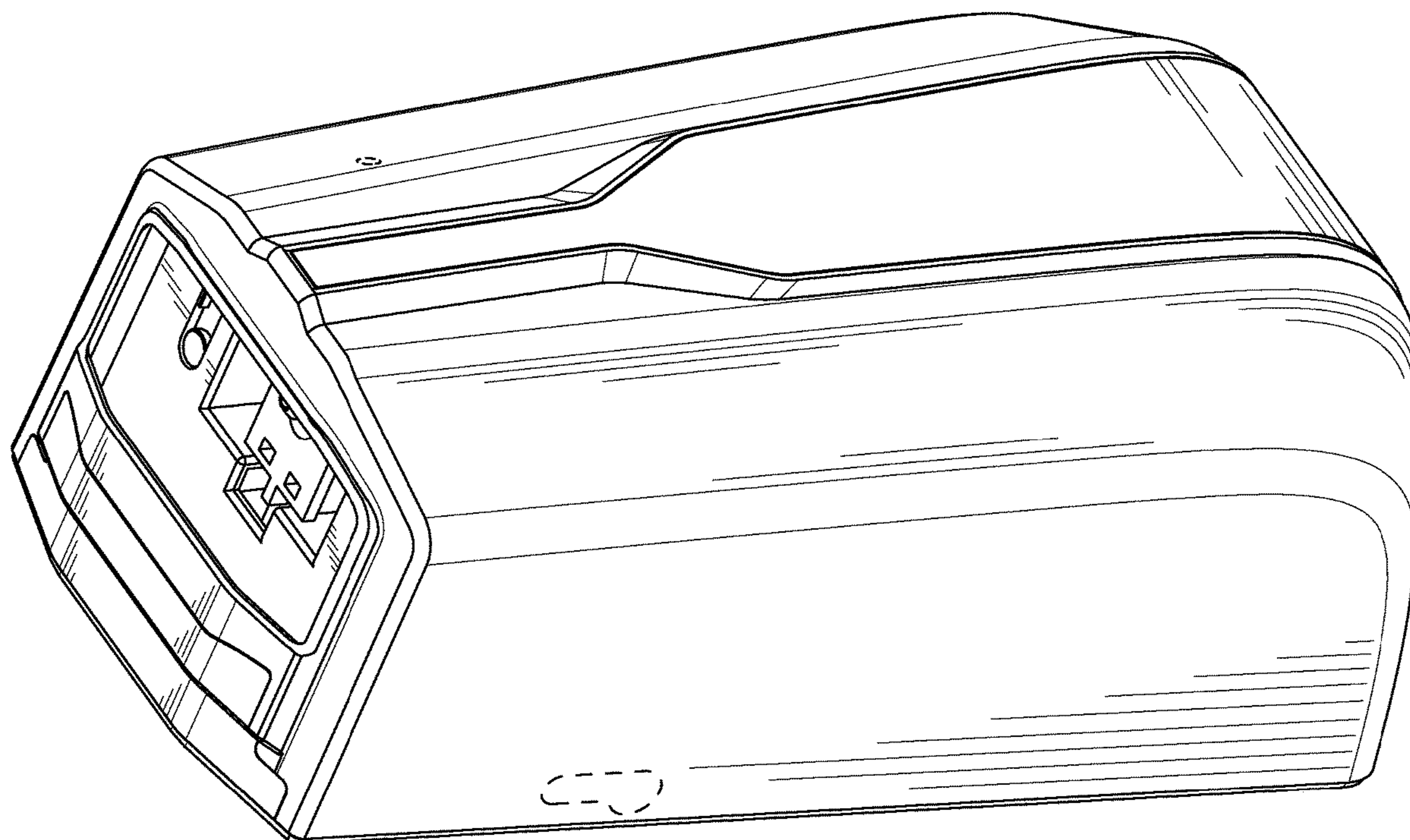
FIG. 1 is a perspective view of an automatic touchless soap dispenser showing my new design;  
 FIG. 2 is another perspective view thereof;  
 FIG. 3 is a front view thereof;  
 FIG. 4 is a rear view thereof  
 FIG. 5 is a left side view thereof;  
 FIG. 6 is a right side view thereof;  
 FIG. 7 is a top plan view thereof; and,  
 FIG. 8 is a bottom plan view thereof.  
 The broken lines in the figures illustrate portions of the automatic touchless soap dispenser that form no part of the claimed design.

(56) **References Cited**

**U.S. PATENT DOCUMENTS**

- D431,404 S \* 10/2000 Brazis ..... D6/545
- D479,422 S \* 9/2003 Ciavarella ..... D6/545

**1 Claim, 8 Drawing Sheets**



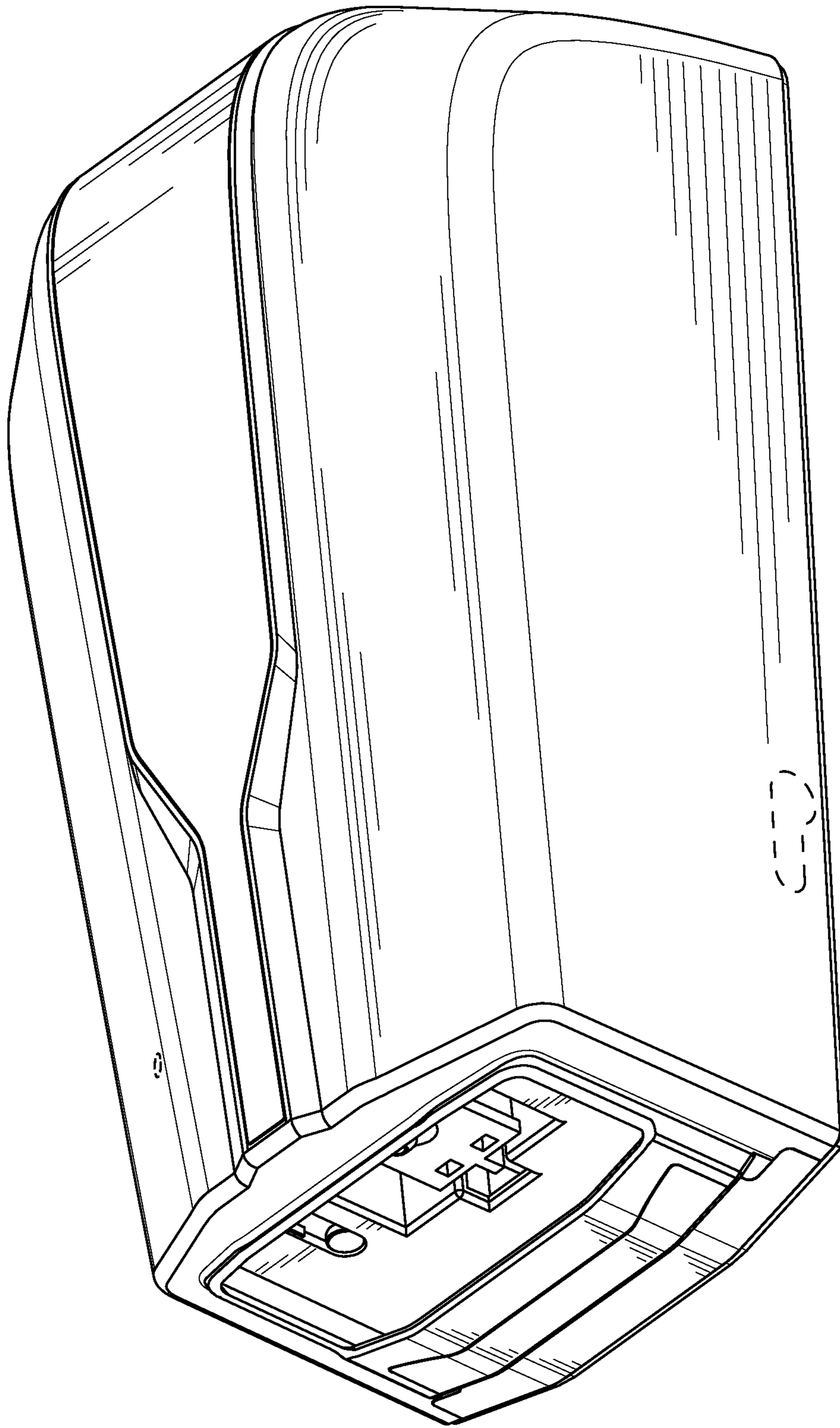


FIG. 1

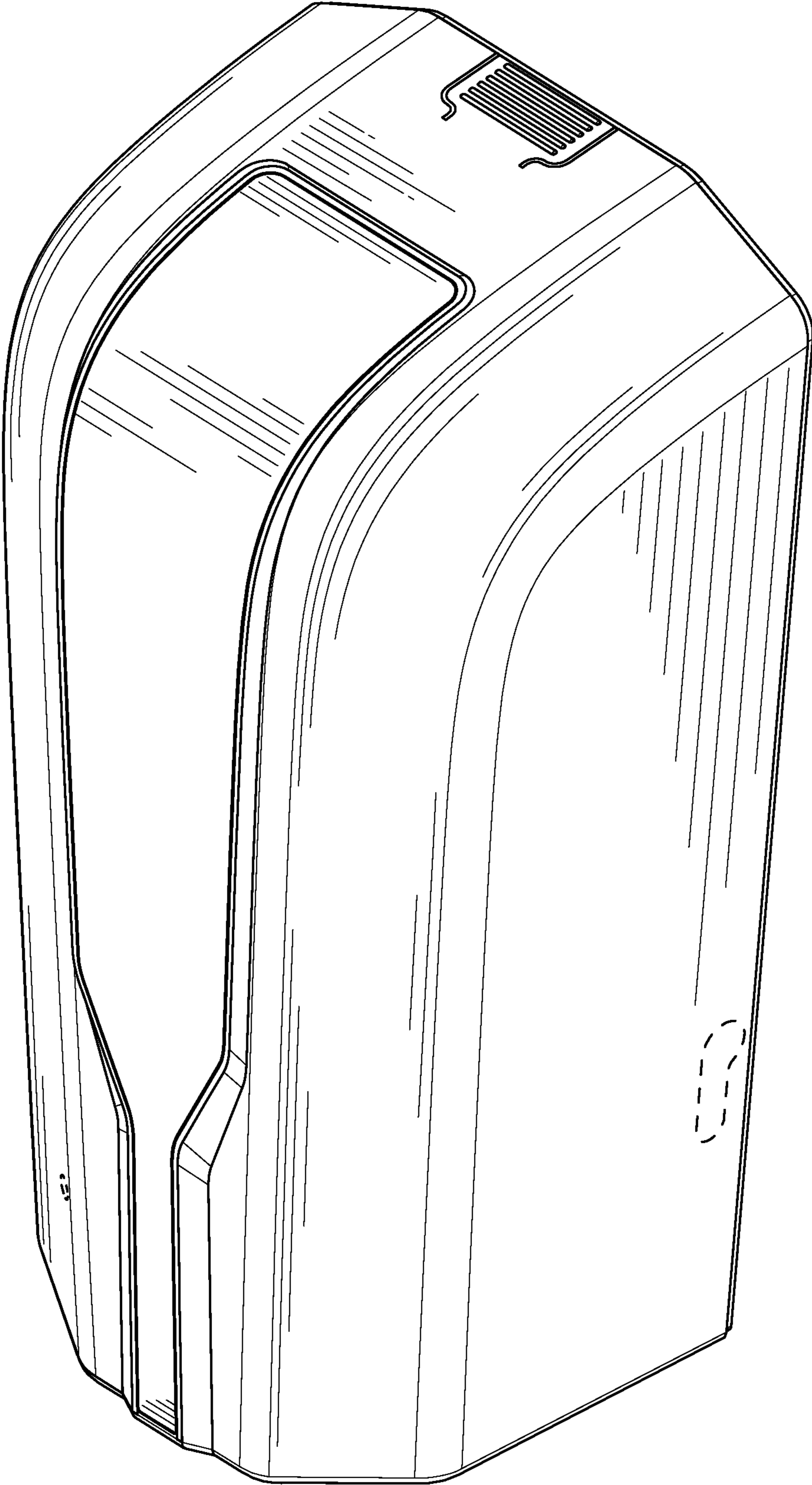


FIG. 2

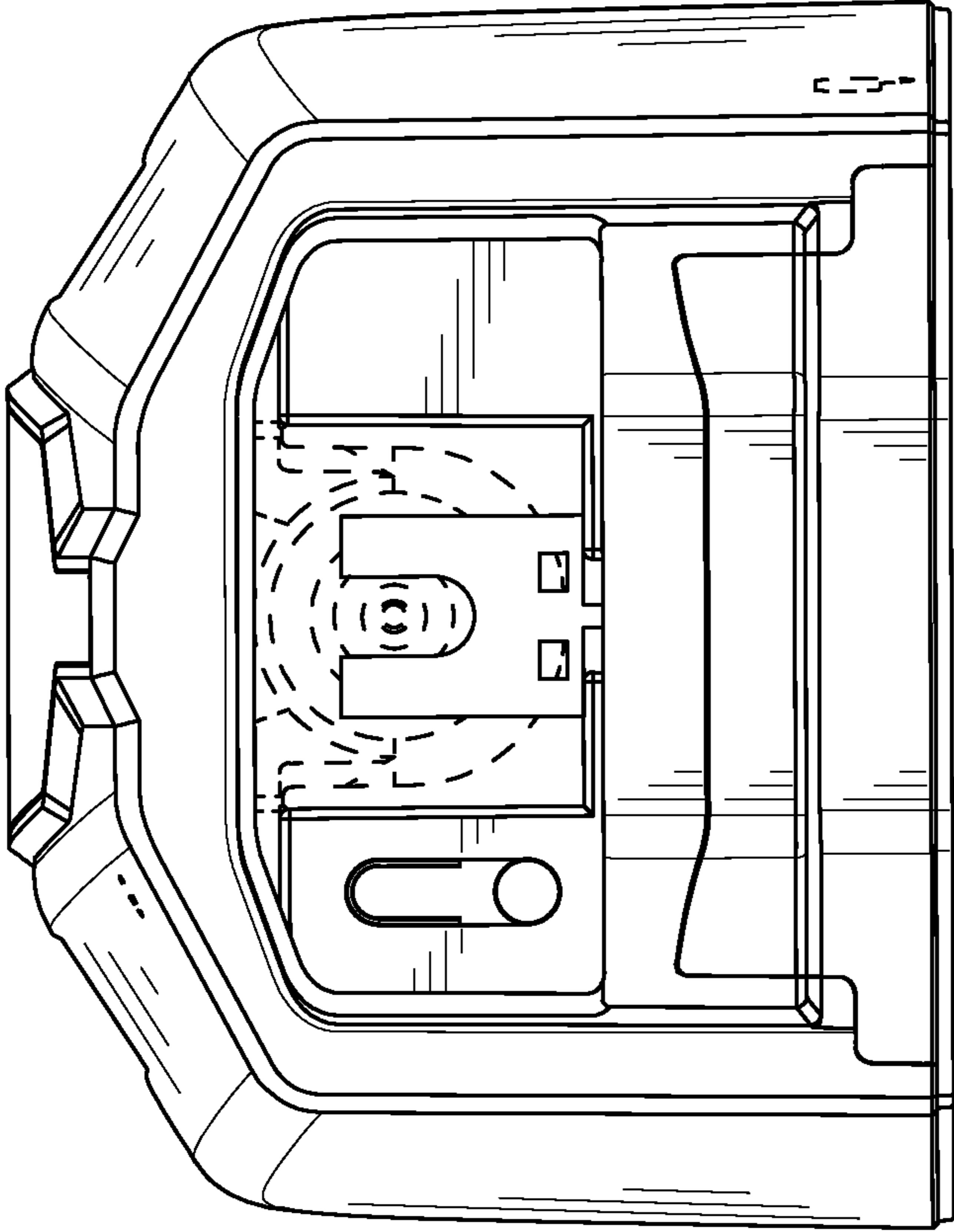


FIG. 3

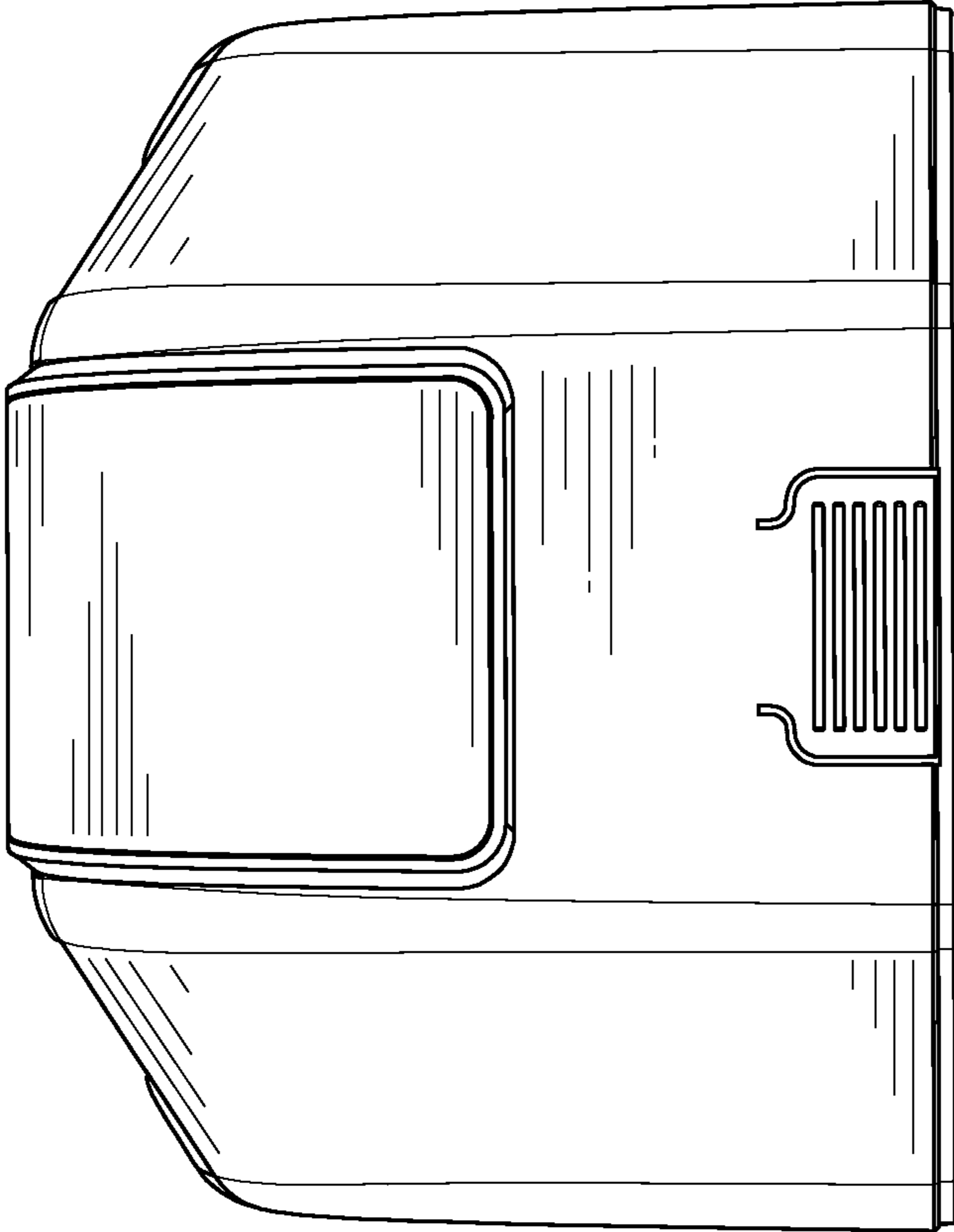


FIG. 4

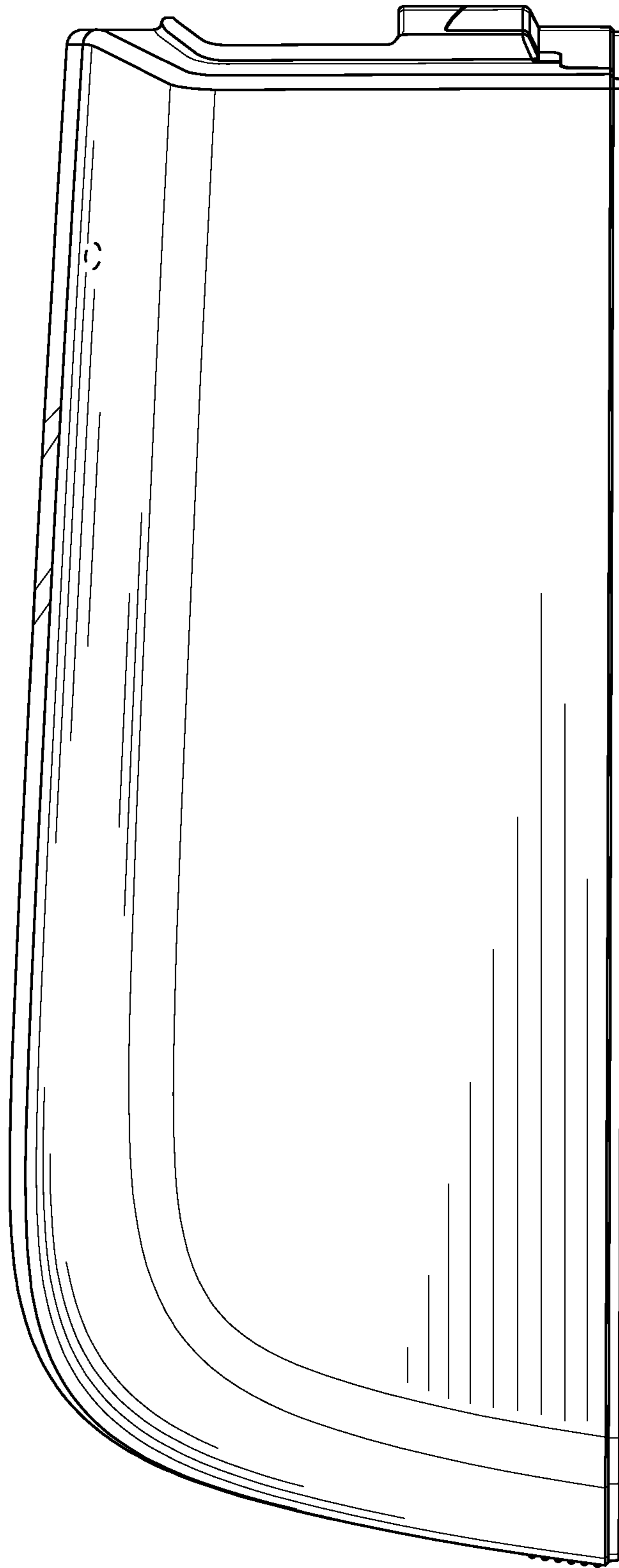


FIG. 5

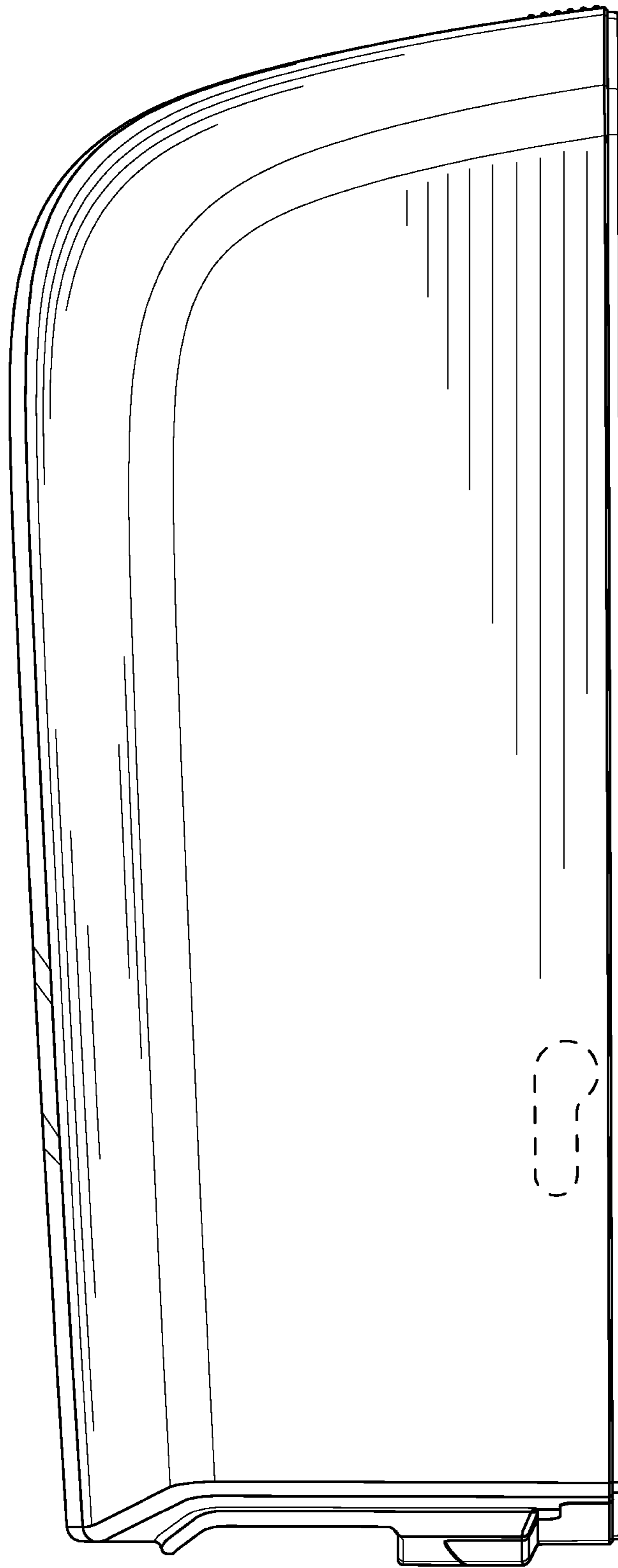


FIG. 6

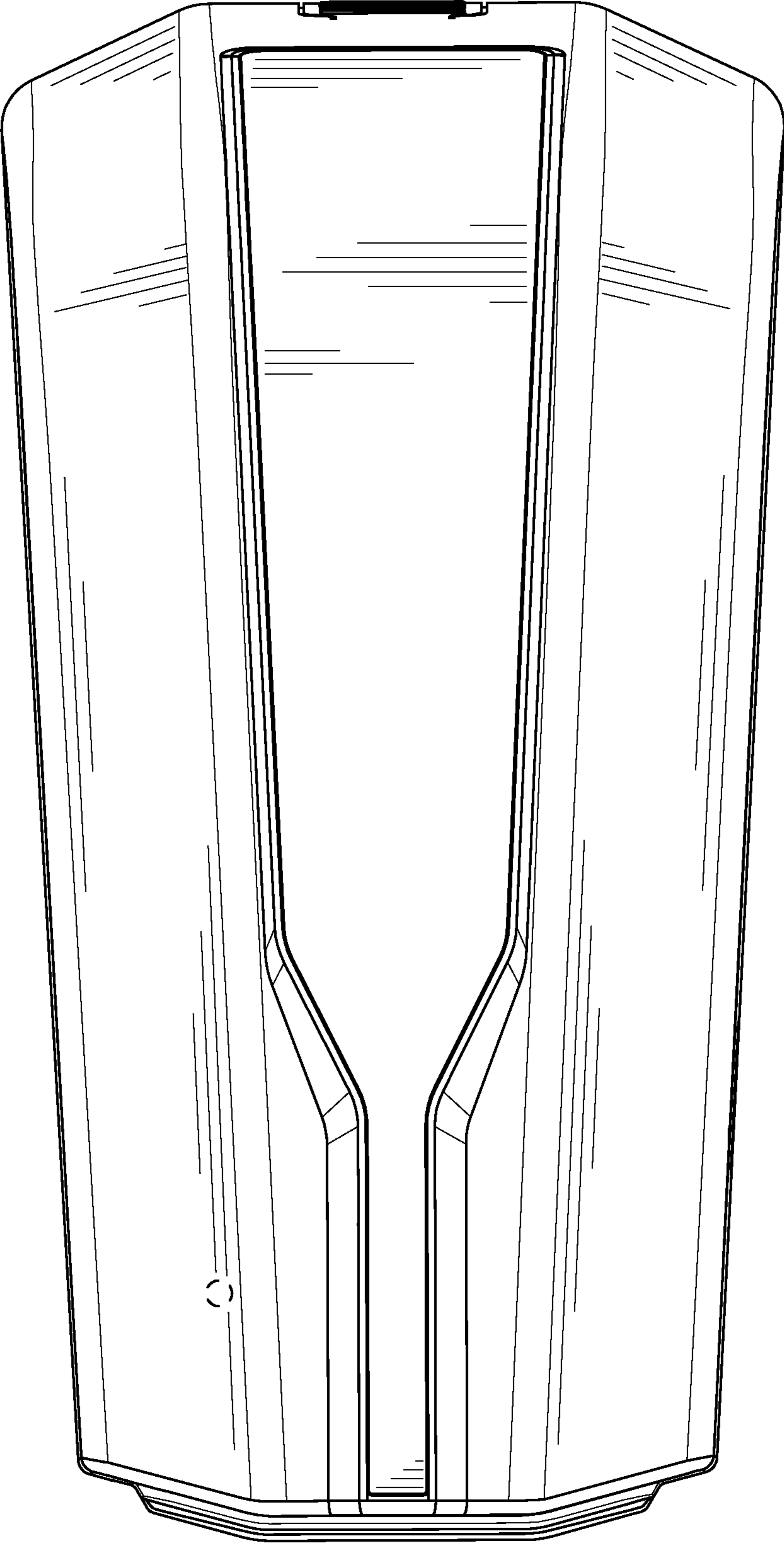


FIG. 7



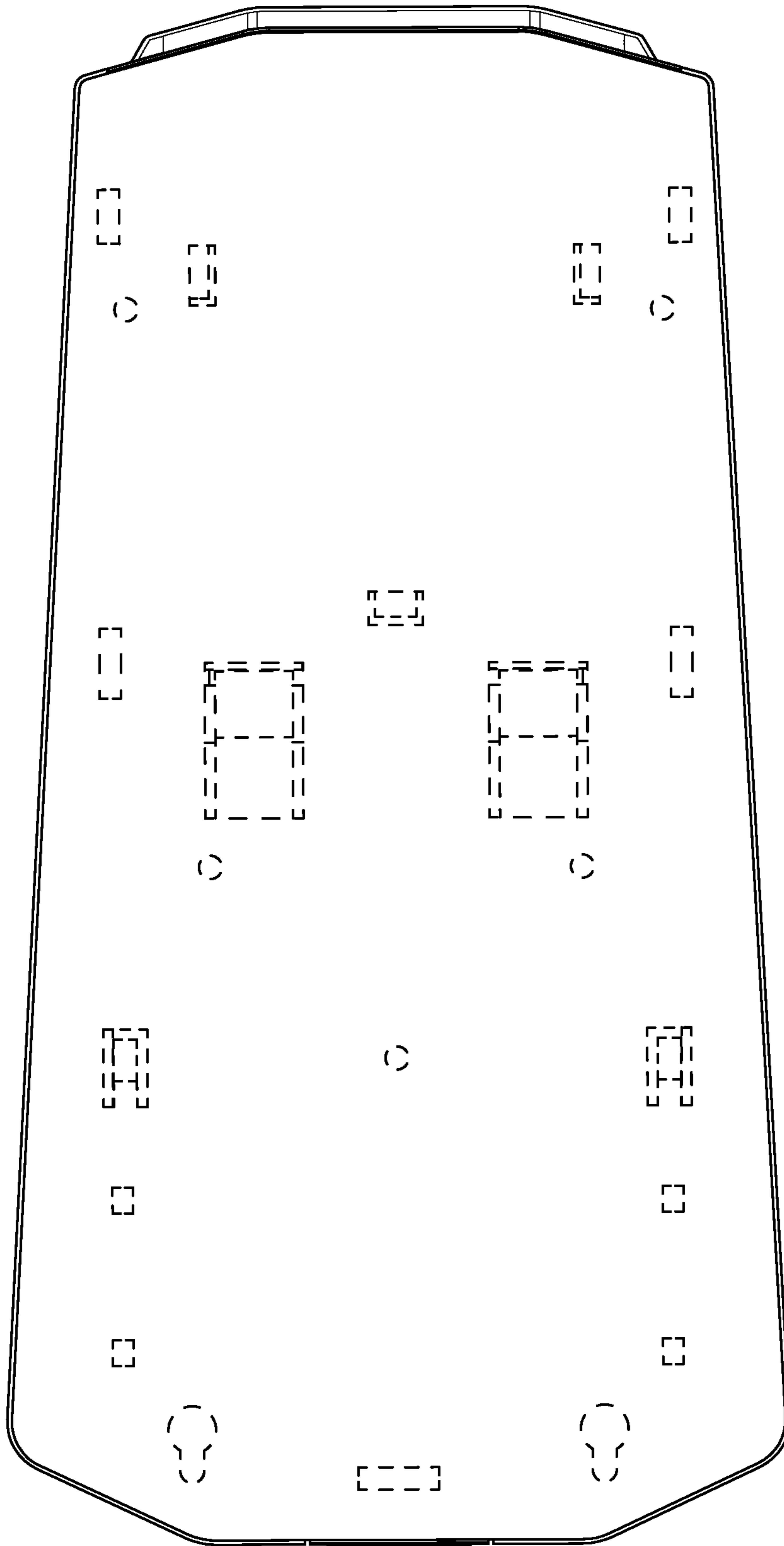


FIG. 8