



US00D917197S

(12) **United States Design Patent** (10) **Patent No.:** **US D917,197 S**  
**Kwak** (45) **Date of Patent:** **\*\* Apr. 27, 2021**

(54) **TOILET BRUSH AND HOLDER**  
(71) Applicant: **HELEN OF TROY LIMITED**, St. Michael (BB)  
(72) Inventor: **Albert J. Kwak**, Brooklyn, NY (US)  
(73) Assignee: **Helen of Troy Limited**, St. Michael (BB)  
(\*\*) Term: **15 Years**  
(21) Appl. No.: **29/699,322**  
(22) Filed: **Jul. 24, 2019**  
(51) **LOC (13) Cl.** ..... **23-02**  
(52) **U.S. Cl.**  
USPC ..... **D6/524; D4/116**  
(58) **Field of Classification Search**  
USPC ..... D6/524, 525; D4/116, 117-118, 121, D4/130, 132, 134, 138, 551; D7/54, 555, D7/615; D8/80, 107; D32/14, 19, 35, D32/40-42, 46, 49, 51, 52; 4/255.05, 4/255.11; 15/159.1, 160, 179, 180; 206/207, 349, 361; 220/263; 312/206, 312/207  
CPC .. A46B 3/18; A46B 5/00; A46B 9/021; A46B 11/00; A46B 11/0003; A46B 2200/1053; A45D 40/26; A45D 40/265; E03D 9/00; A47K 17/00; A47K 11/10; A47K 3/001; B65D 47/40  
See application file for complete search history.

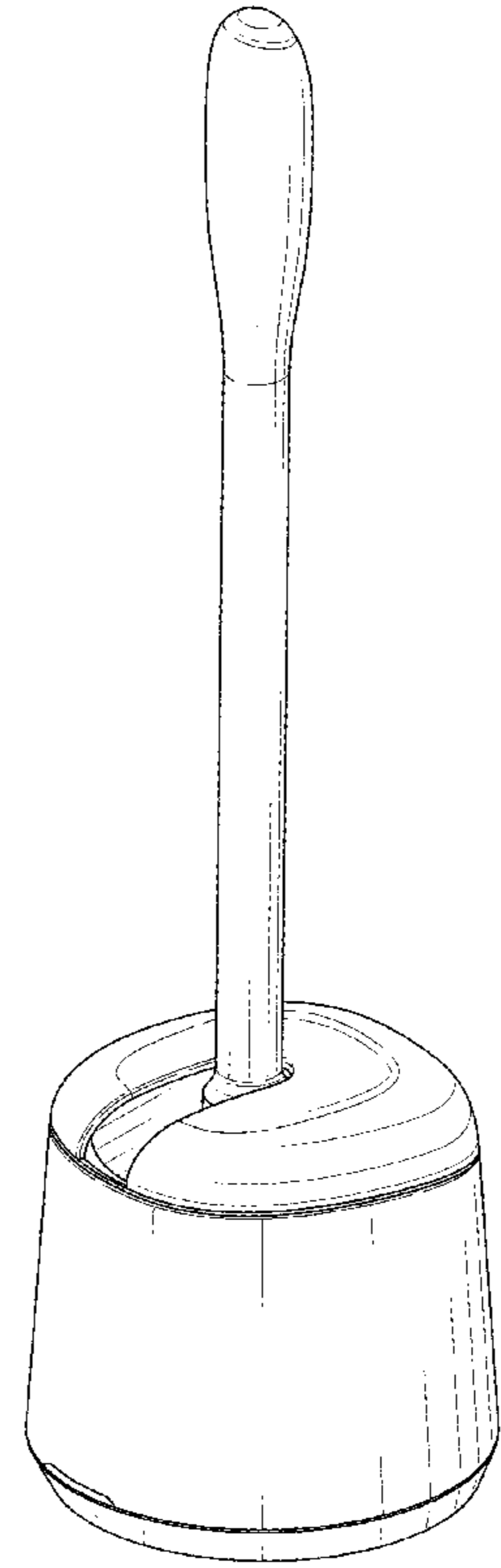
(56) **References Cited**  
U.S. PATENT DOCUMENTS  
D465,957 S \* 11/2002 Driscoll ..... D6/551  
D709,713 S \* 7/2014 Yang ..... D6/524  
D842,004 S \* 3/2019 Joseph ..... D6/525  
D860,555 S \* 9/2019 de Martrin-Donos ..... D32/14  
D889,132 S \* 7/2020 Kuang ..... D4/116  
D905,966 S \* 12/2020 Wen ..... D4/116  
2010/0084292 A1 \* 4/2010 Wildauer ..... A47K 17/00  
206/349  
2014/0116902 A1 \* 5/2014 Dressel ..... A47K 17/00  
206/207

\* cited by examiner  
*Primary Examiner* — Mark Booker  
(74) *Attorney, Agent, or Firm* — Rankin, Hill & Clark LLP

(57) **CLAIM**  
The ornamental designs for a toilet brush and holder, as shown and described.

**DESCRIPTION**  
FIG. 1 is a perspective view of a toilet brush and holder; FIG. 2 is a rear elevation view thereof; FIG. 3 is a front elevation view thereof; FIG. 4 is a right elevation view thereof; FIG. 5 is a left elevation view thereof; and, FIG. 6 is a top view thereof.  
The broken lines represent unclaimed matter and form no part of the claimed design.

**1 Claim, 6 Drawing Sheets**



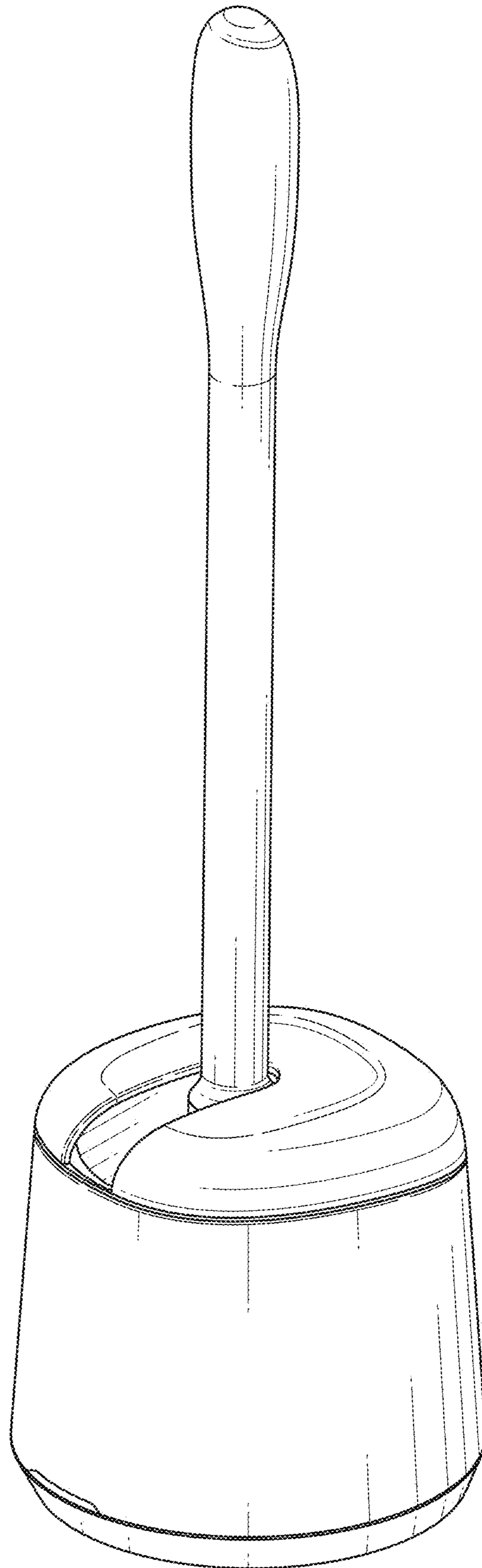


FIG. 1

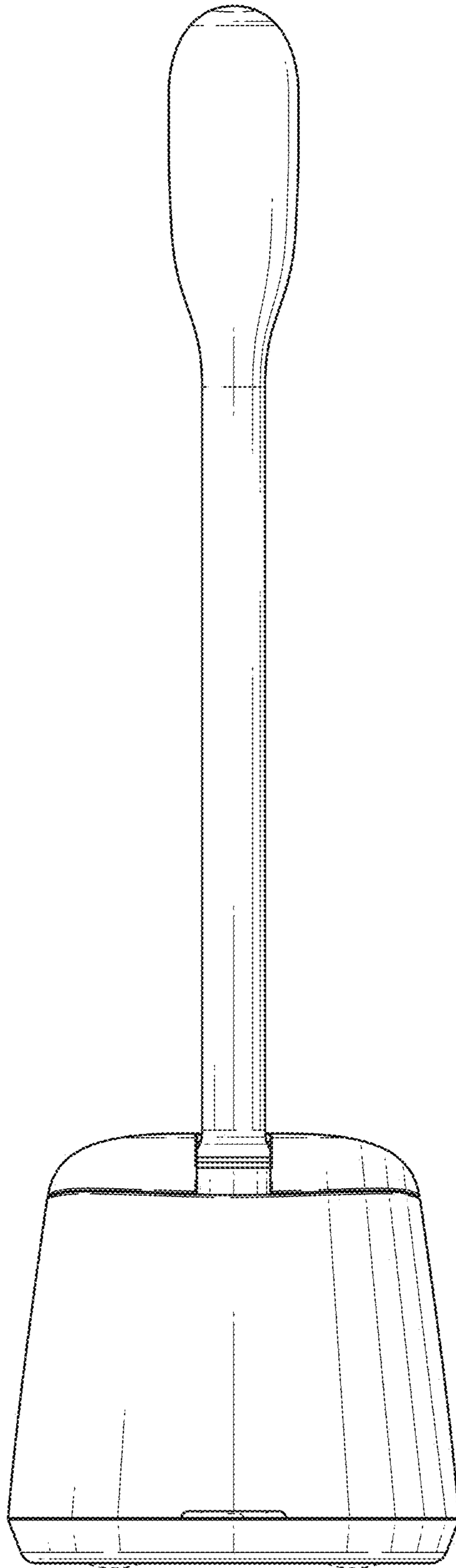


FIG. 2

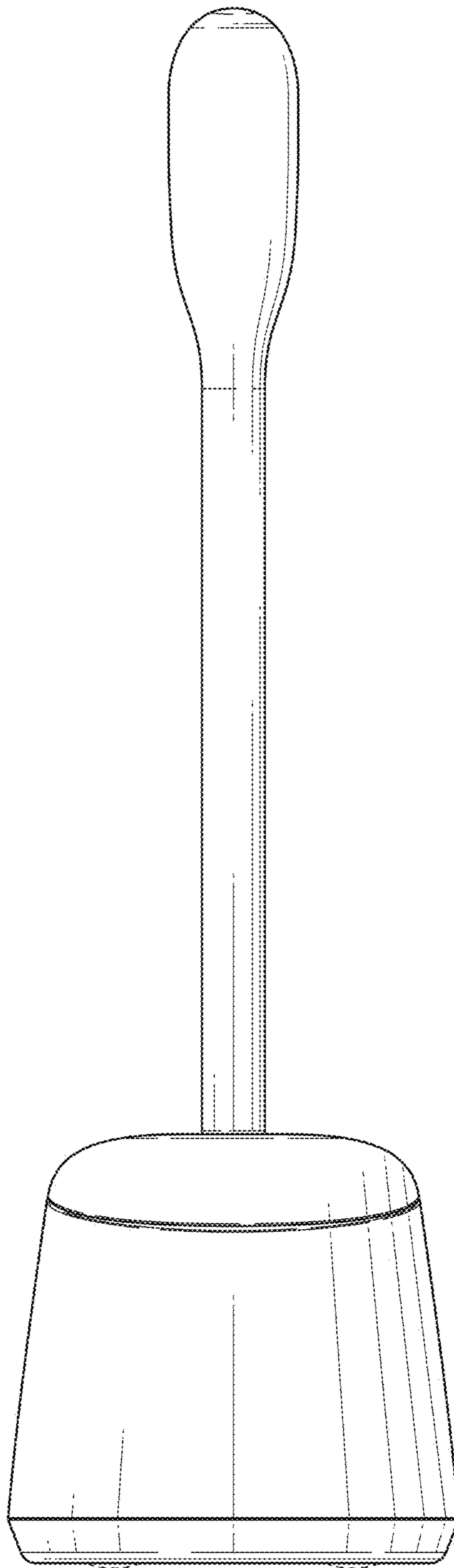


FIG. 3

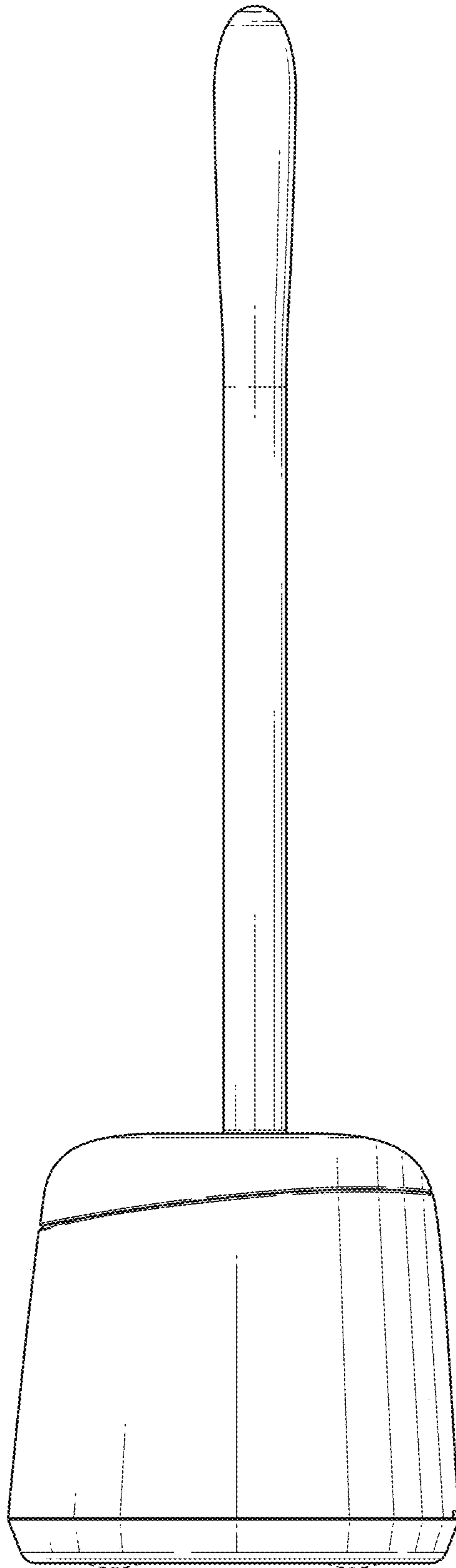


FIG. 4

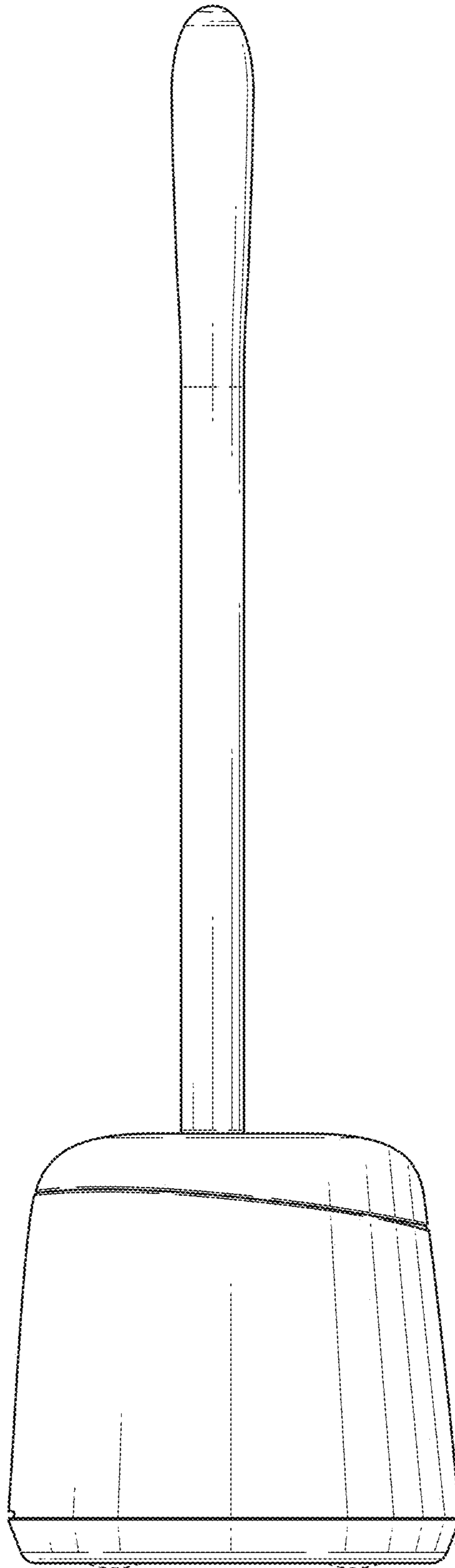


FIG. 5

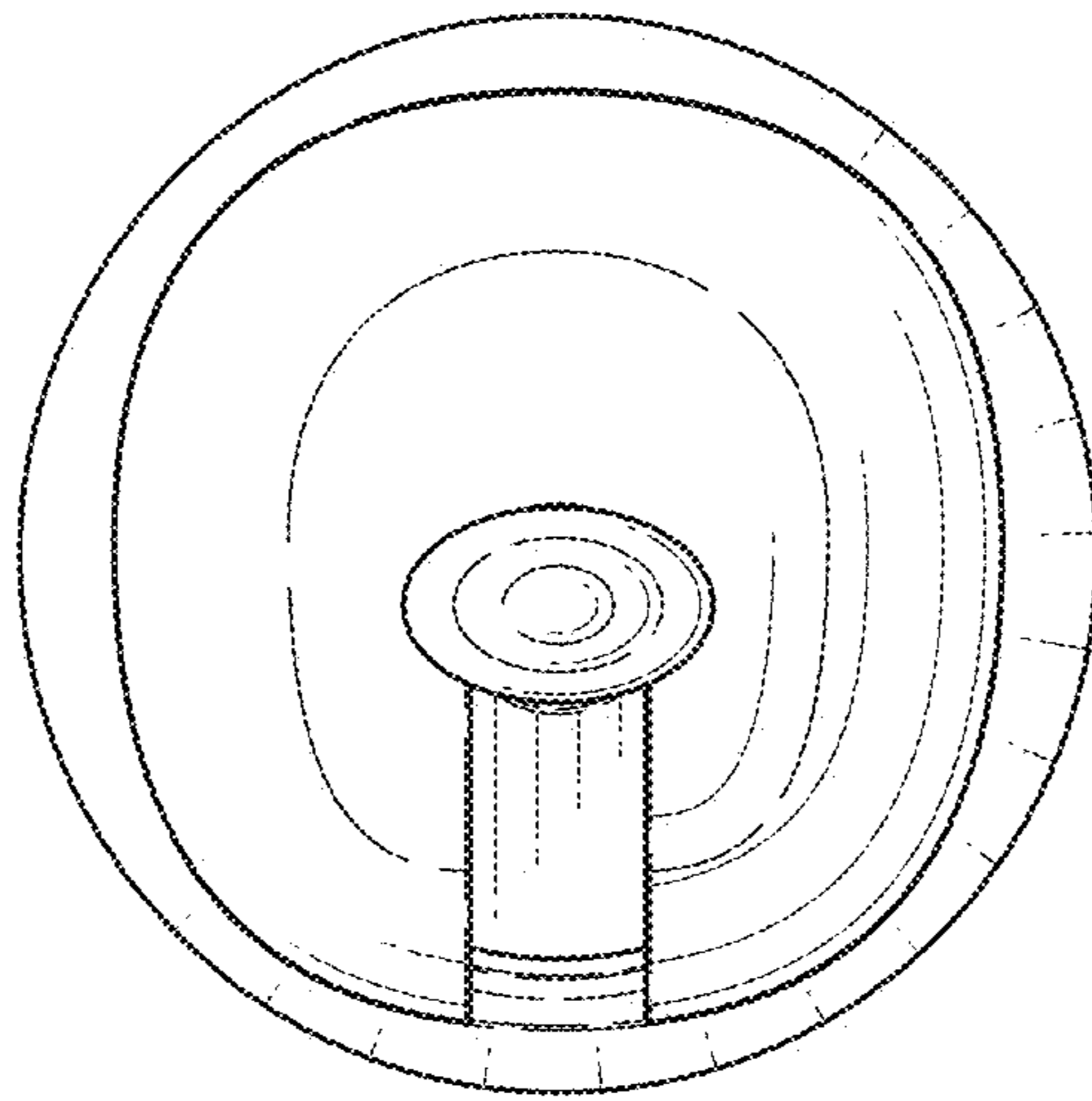


FIG. 6