



US00D917191S

(12) **United States Design Patent**
Vega

(10) **Patent No.:** **US D917,191 S**
(45) **Date of Patent:** **** Apr. 27, 2021**

(54) **SEATING FRAME**

(71) Applicant: **Josef Dino Vega**, Claremont, CA (US)

(72) Inventor: **Josef Dino Vega**, Claremont, CA (US)

(**) Term: **15 Years**

(21) Appl. No.: **29/685,251**

(22) Filed: **Mar. 27, 2019**

(51) **LOC (13) Cl.** **06-01**

(52) **U.S. Cl.**

USPC **D6/375**; D6/374; D6/334

(58) **Field of Classification Search**

USPC D6/329, 334, 367-376, 358-366, 353,
D6/335-340, 352, 377-383, 392-395,
D6/710-712, 716, 716.1, 716.2, 716.3;
297/440.1, 440.21, 452.14

CPC .. A47C 11/00; A47C 4/02; A47C 4/03; A47C
4/08; A47C 4/024; A47C 4/025; A47C
4/028; A47C 5/04; A47C 7/16; A47C
5/12; A47C 7/36; A47C 7/40; A47C
9/007; A47C 13/023; A47C 5/08; A47C
17/175; A47C 13/005; A47C 11/005;
A47C 4/021; A47C 4/286; A47C 1/14;
F16B 5/0012; A47B 47/0075; A47B 3/06

See application file for complete search history.

(56) **References Cited**

U.S. PATENT DOCUMENTS

D80,295 S * 1/1930 Till D6/374
D172,126 S * 5/1954 Conhaim D6/343

D179,505 S * 1/1957 Armbruster D6/363
D197,713 S * 3/1964 Bedser D6/363
D345,258 S * 3/1994 Giacomuzzi D6/334
D447,354 S * 9/2001 Bluberg D6/334
D543,043 S * 5/2007 Ng D6/370
D565,853 S * 4/2008 Pini D6/363
D575,541 S * 8/2008 Hayes D6/374
D608,556 S * 1/2010 Uribe D6/363
D730,653 S * 6/2015 Yang D6/363
D734,955 S * 7/2015 Yang D6/363
D751,313 S * 3/2016 Palmer D6/371

* cited by examiner

Primary Examiner — Keli L Hill

Assistant Examiner — Sara S Sahneh

(74) *Attorney, Agent, or Firm* — The Weintraub Group,
P.L.C.

(57) **CLAIM**

The ornamental design for a seating frame, as shown and described.

DESCRIPTION

FIG. 1 is a perspective view of a seating frame showing my new design;

FIG. 2 is a front elevational view thereof;

FIG. 3 is a rear elevational view thereof;

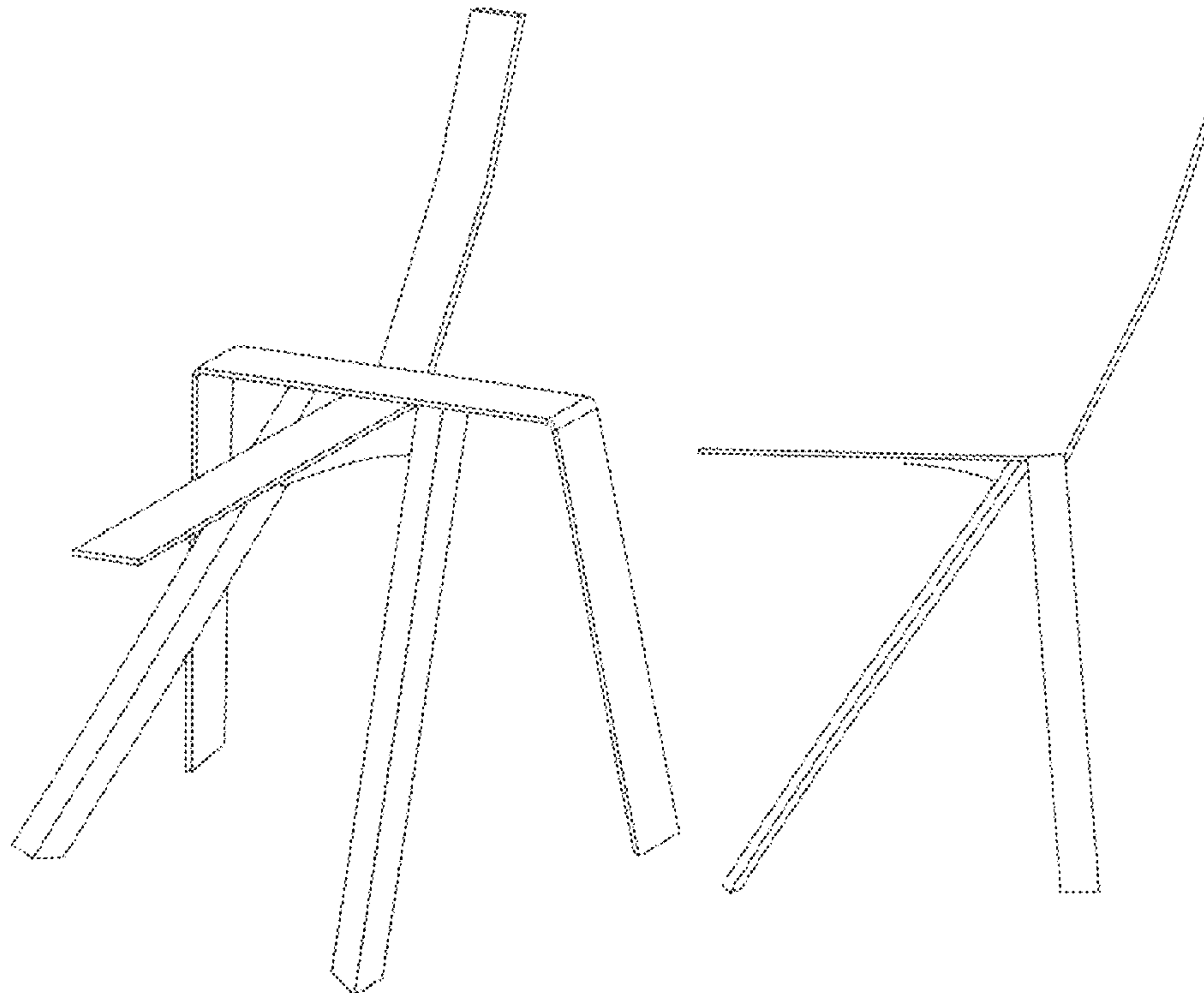
FIG. 4 is a top plan view thereof;

FIG. 5 is a bottom plan view thereof;

FIG. 6 is a left side elevational view thereof; and,

FIG. 7 is a right side elevational view thereof.

1 Claim, 6 Drawing Sheets



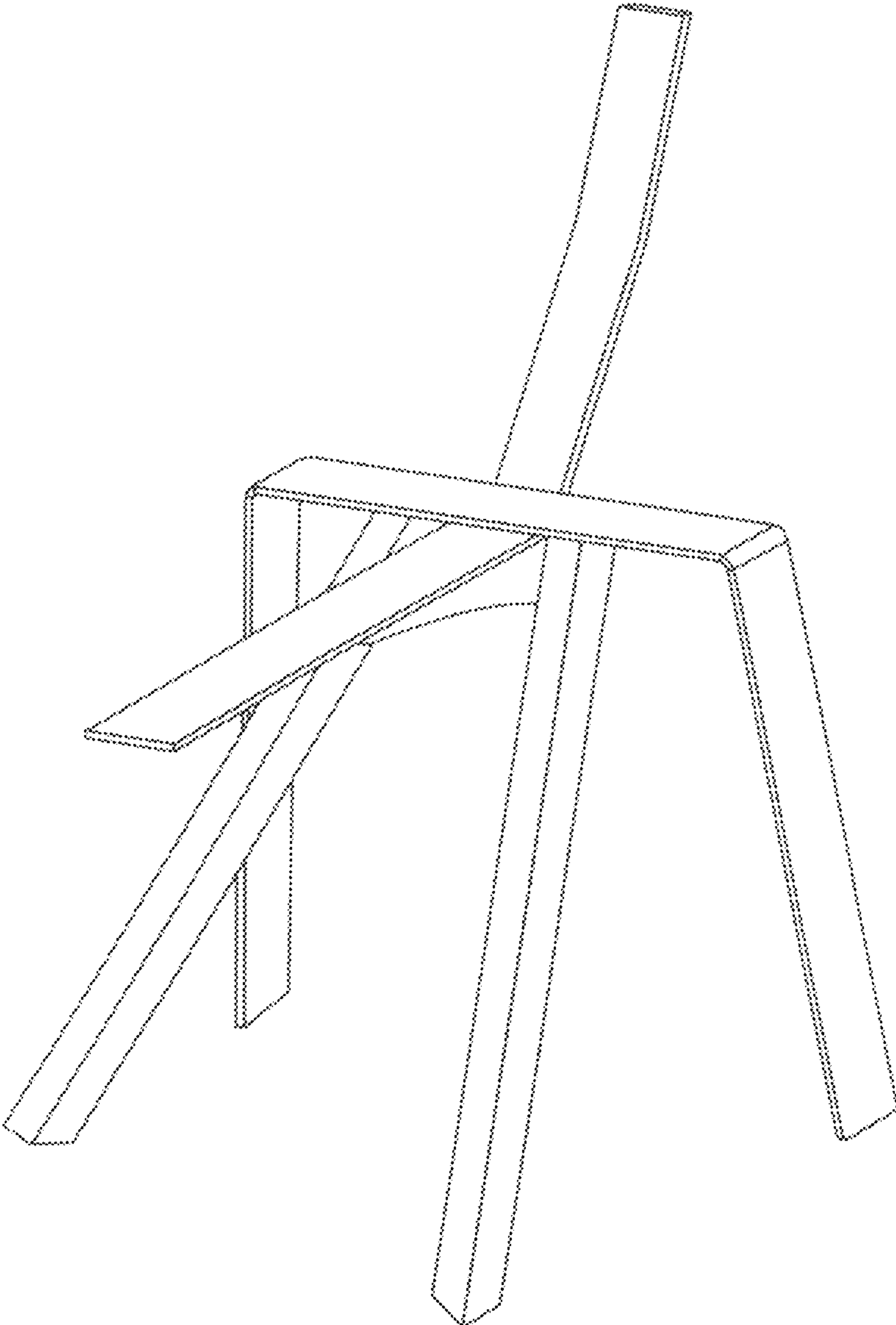


FIG. 1

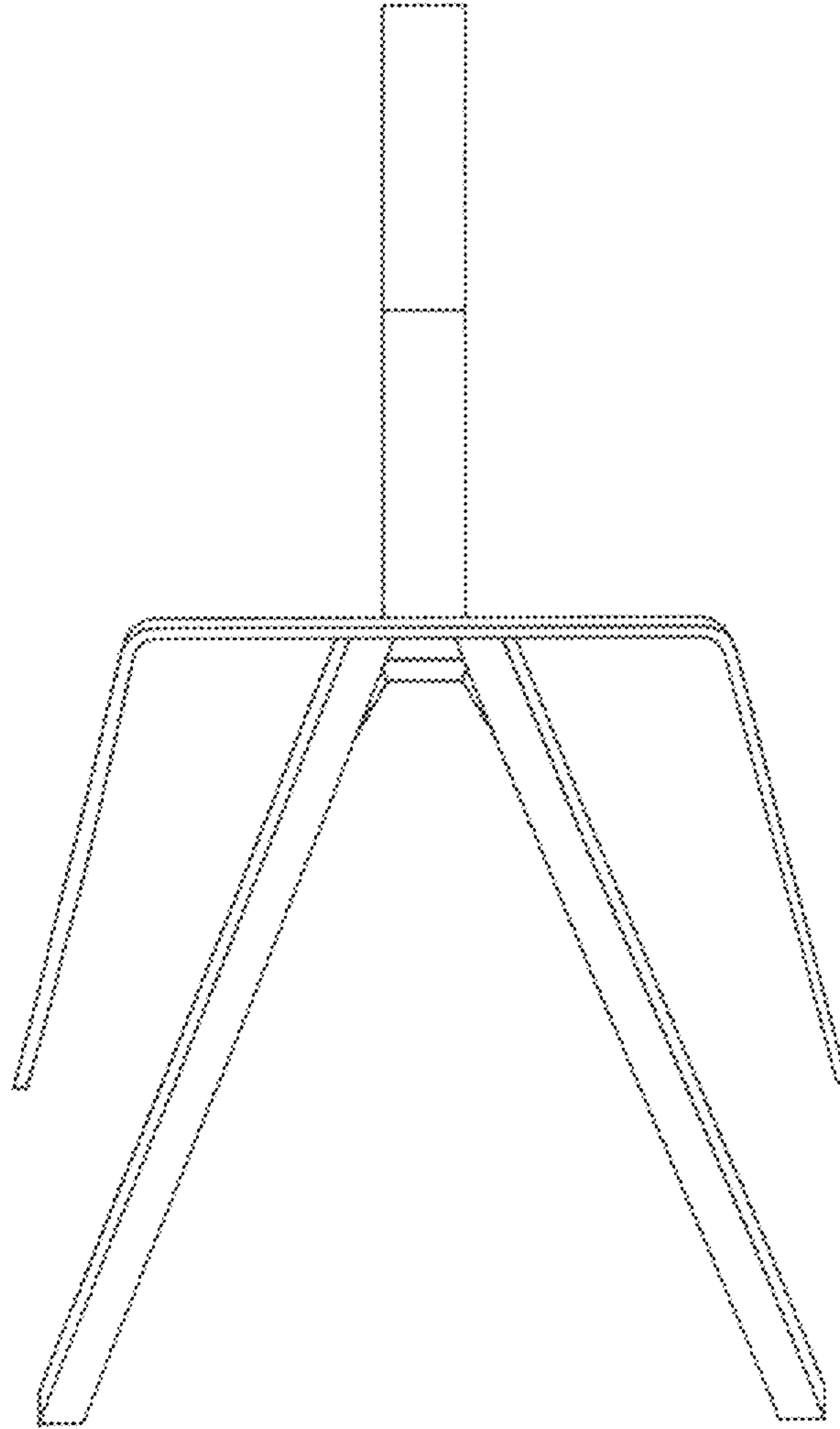


FIG.2

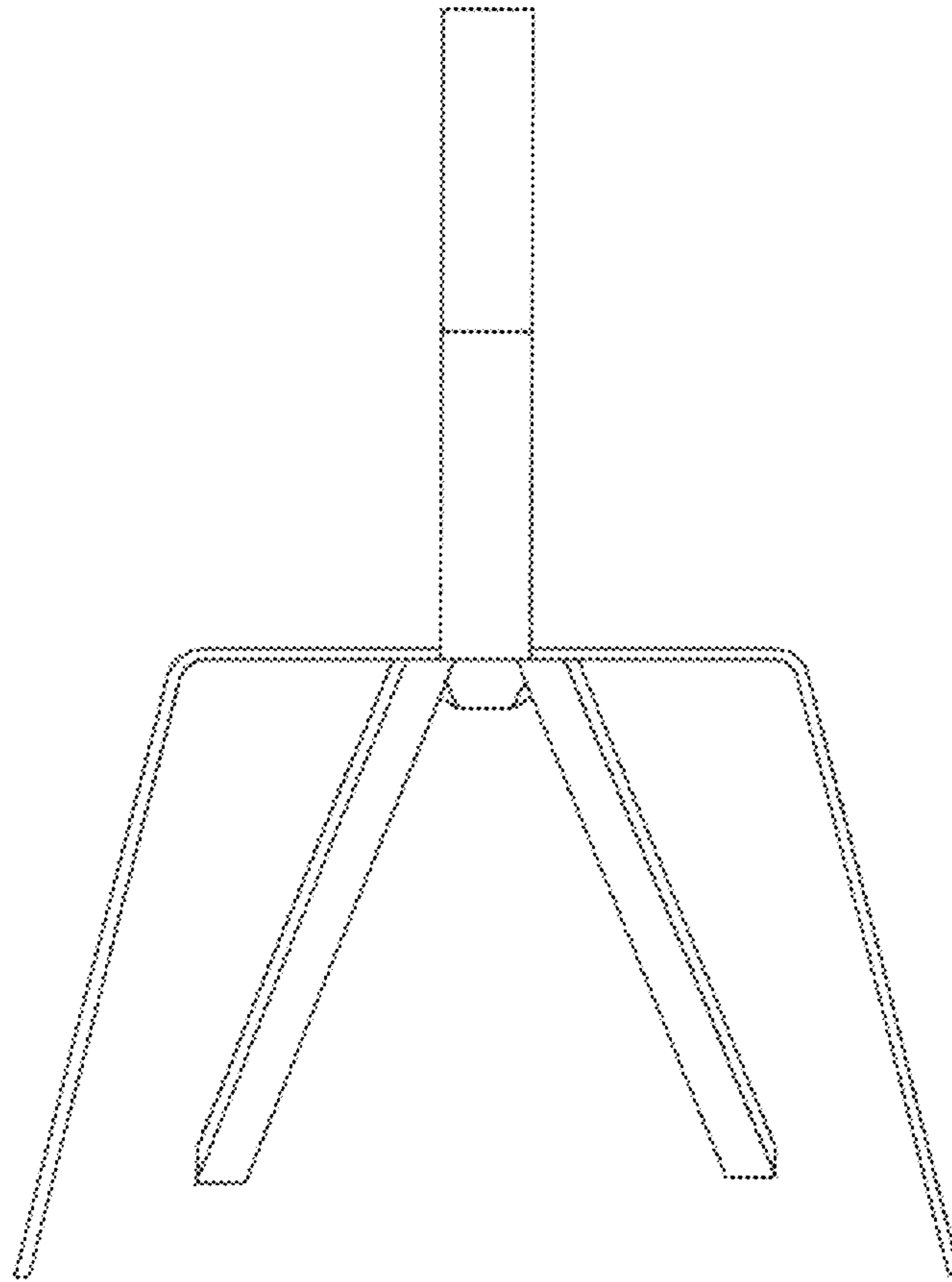


FIG.3

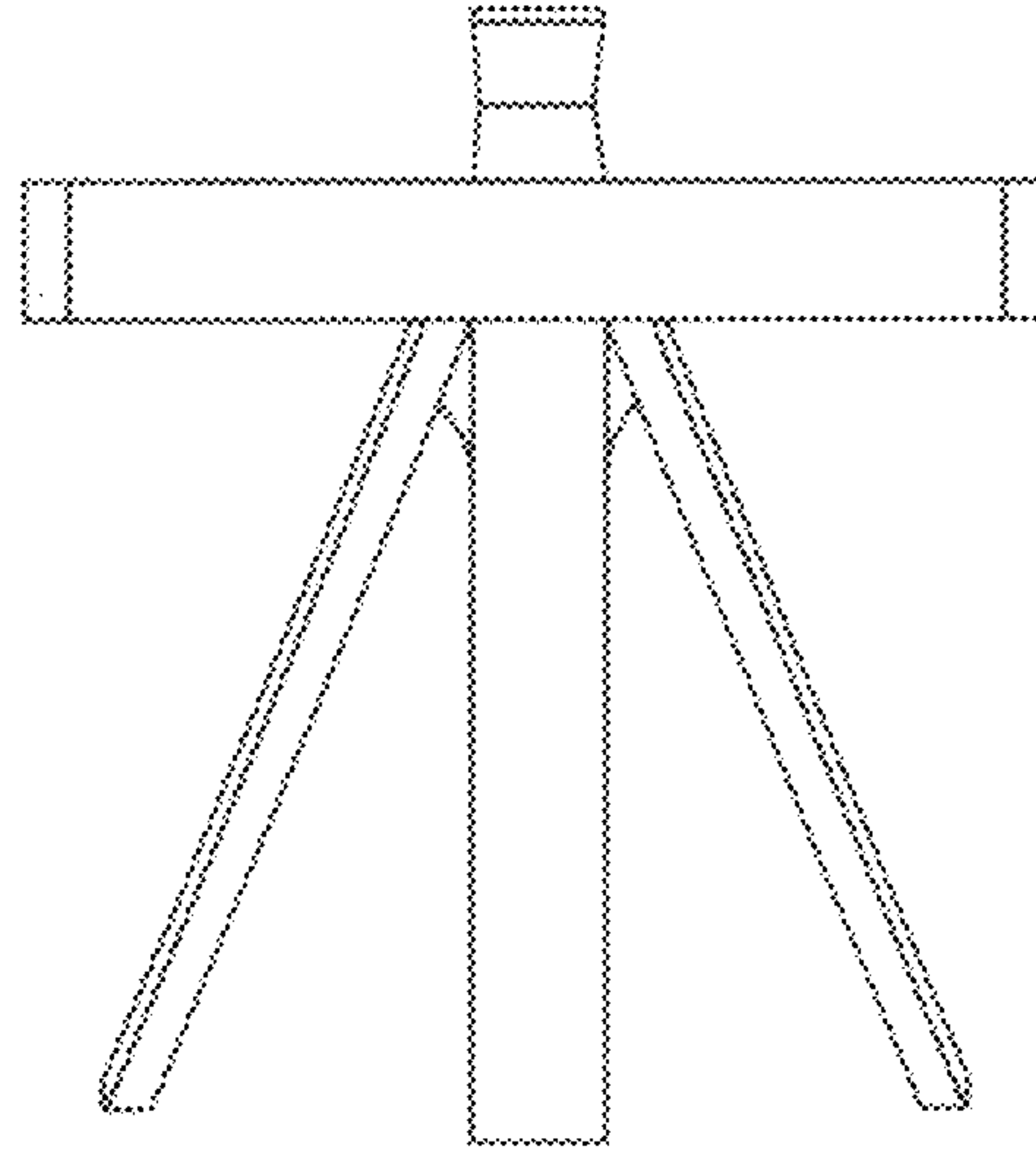


FIG. 4

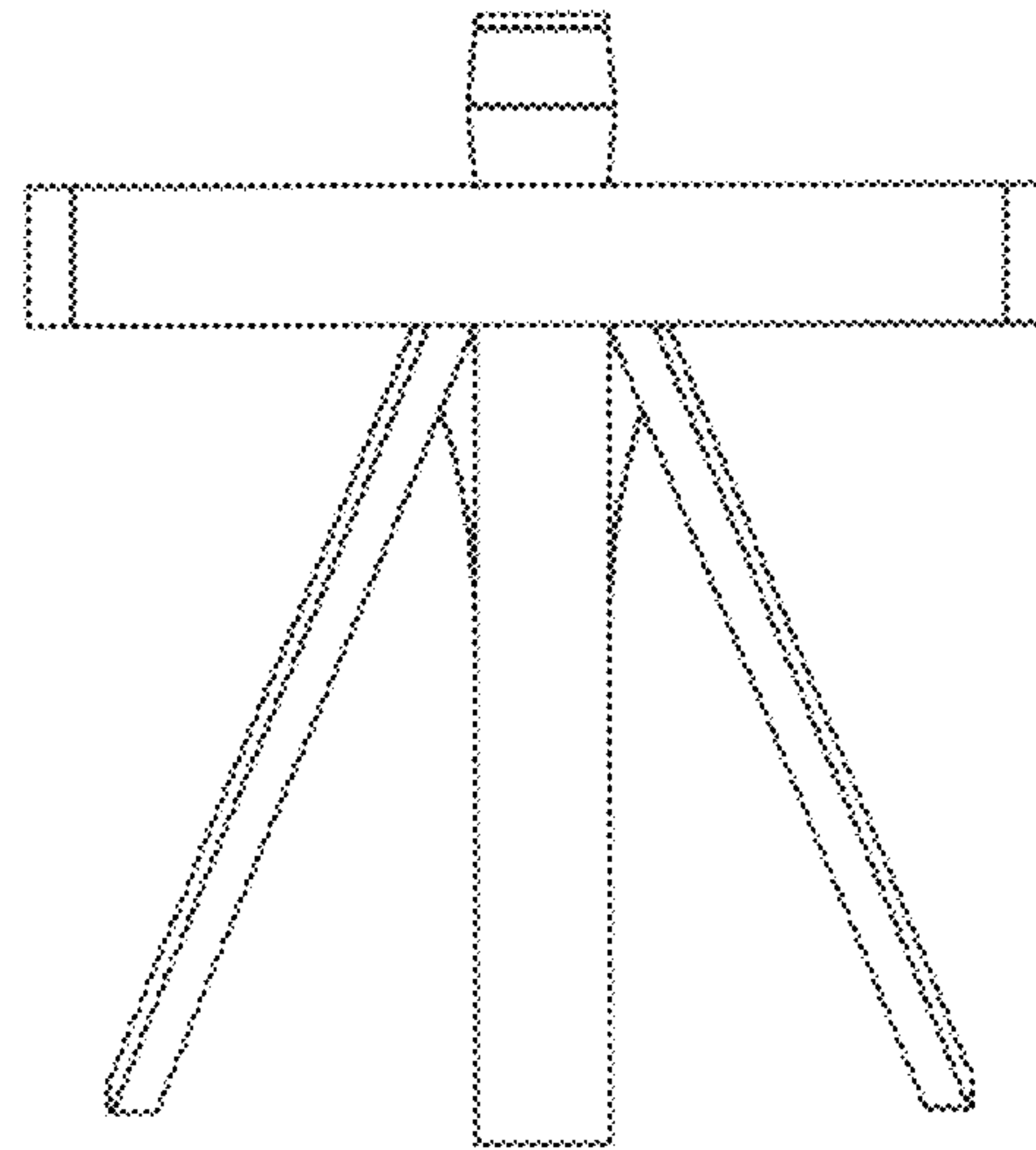


FIG. 5

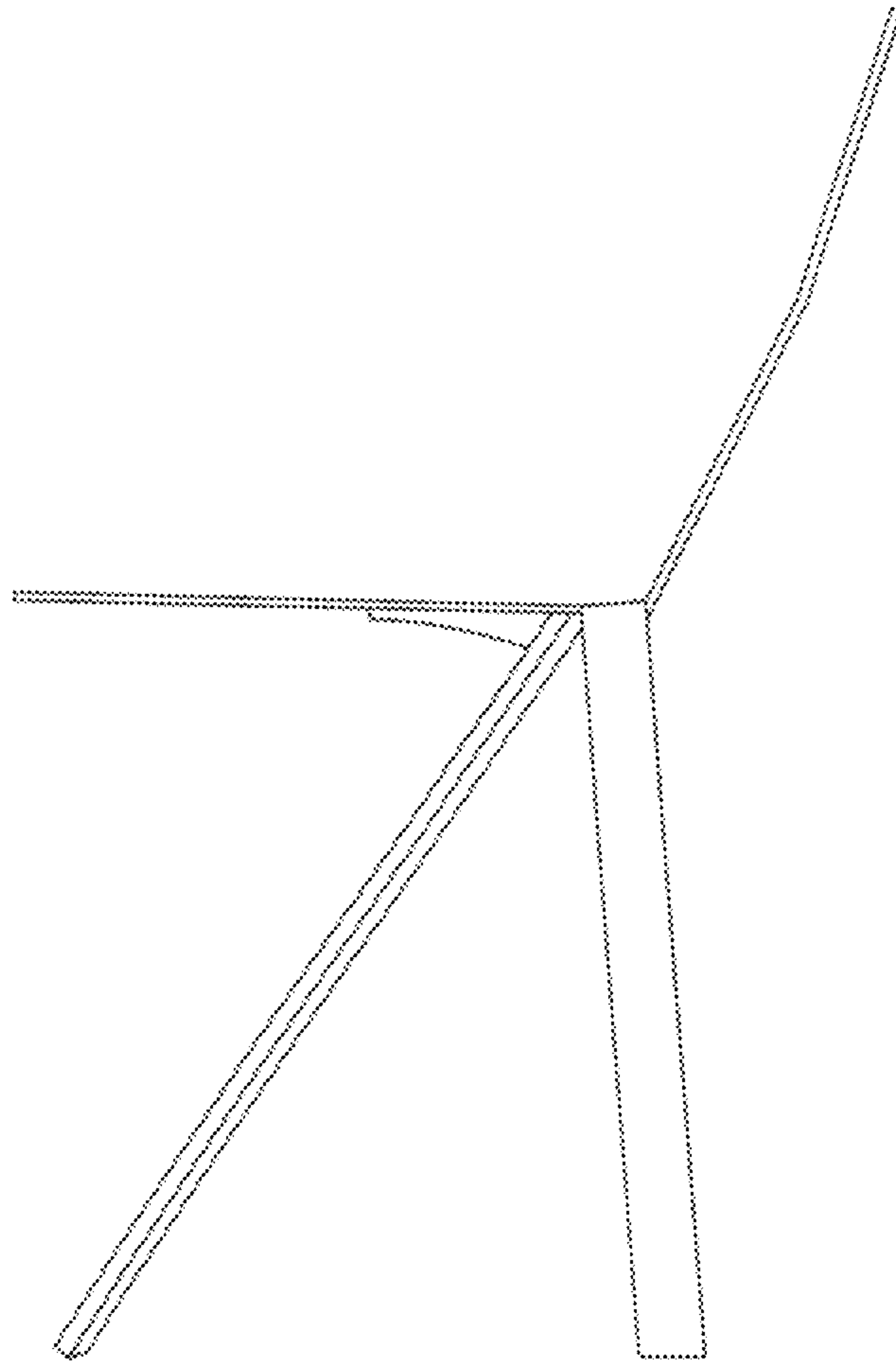


FIG. 6

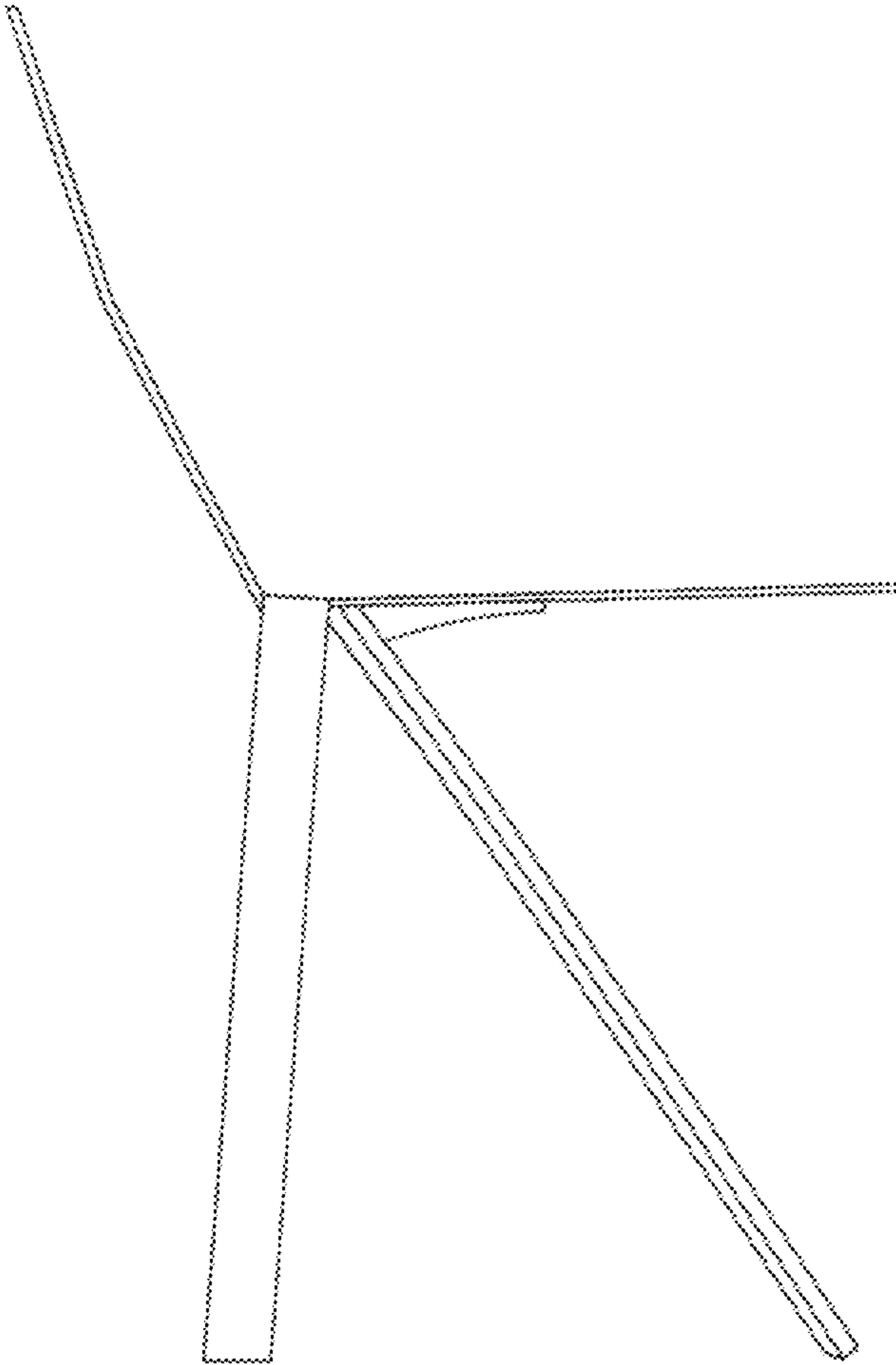


FIG. 7