



US00D917186S

(12) **United States Design Patent** (10) **Patent No.:** **US D917,186 S**
Zheng et al. (45) **Date of Patent:** **** Apr. 27, 2021**

(54) **ROCKING CHAIR MASSAGER**

(56) **References Cited**

(71) Applicant: **TRUCORE DISTRIBUTORS, INC.**,
Kings Park, NY (US)

U.S. PATENT DOCUMENTS

(72) Inventors: **Ming Yue Zheng**, Smithtown, NY
(US); **Yuan Zhenbin**, Guangzhou (CN)

D239,223	S	*	3/1976	Smith	D6/348
5,090,769	A	*	2/1992	Wade	A47C 3/029 297/258.1
D556,465	S	*	12/2007	Massaud	D6/348
D743,706	S	*	11/2015	Culhane	D6/348
D761,030	S	*	7/2016	Proserpio	D6/348
D778,077	S	*	2/2017	Wang	D6/348
D814,819	S	*	4/2018	Lek	D6/367
10,729,611	B2	*	8/2020	Ode	A61H 15/0078
2006/0217642	A1	*	9/2006	Tanizawa	A61H 7/00 601/98

(73) Assignee: **TRUCORE DISTRIBUTOR, INC.**,
Kings Park, NY (US)

(**) Term: **15 Years**

(21) Appl. No.: **29/678,162**

(22) Filed: **Jan. 25, 2019**

* cited by examiner

Primary Examiner — Mimosa De

(74) *Attorney, Agent, or Firm* — Anderson Law Group
LLC

Related U.S. Application Data

(63) Continuation of application No. 16/047,971, filed on
Jul. 27, 2018.

(51) **LOC (13) Cl.** **06-01**

(52) **U.S. Cl.**
USPC **D6/348**

(58) **Field of Classification Search**
USPC D6/334-336, 344, 348, 361, 367, 371,
D6/373, 374, 375, 716, 716.1, 716.2,
D6/716.4, 716.5, 716.6; D21/412
CPC .. A47C 3/02; A47C 3/029; A47C 7/50; A47C
7/506; A61H 1/003; A61H 1/0237; A61H
2201/1669; A61H 7/00; A61H 7/001;
A61H 7/002; A61H 7/004; A61H 7/007;
A61H 23/00; A61H 23/02; A61H
23/0254; A61H 15/0078

See application file for complete search history.

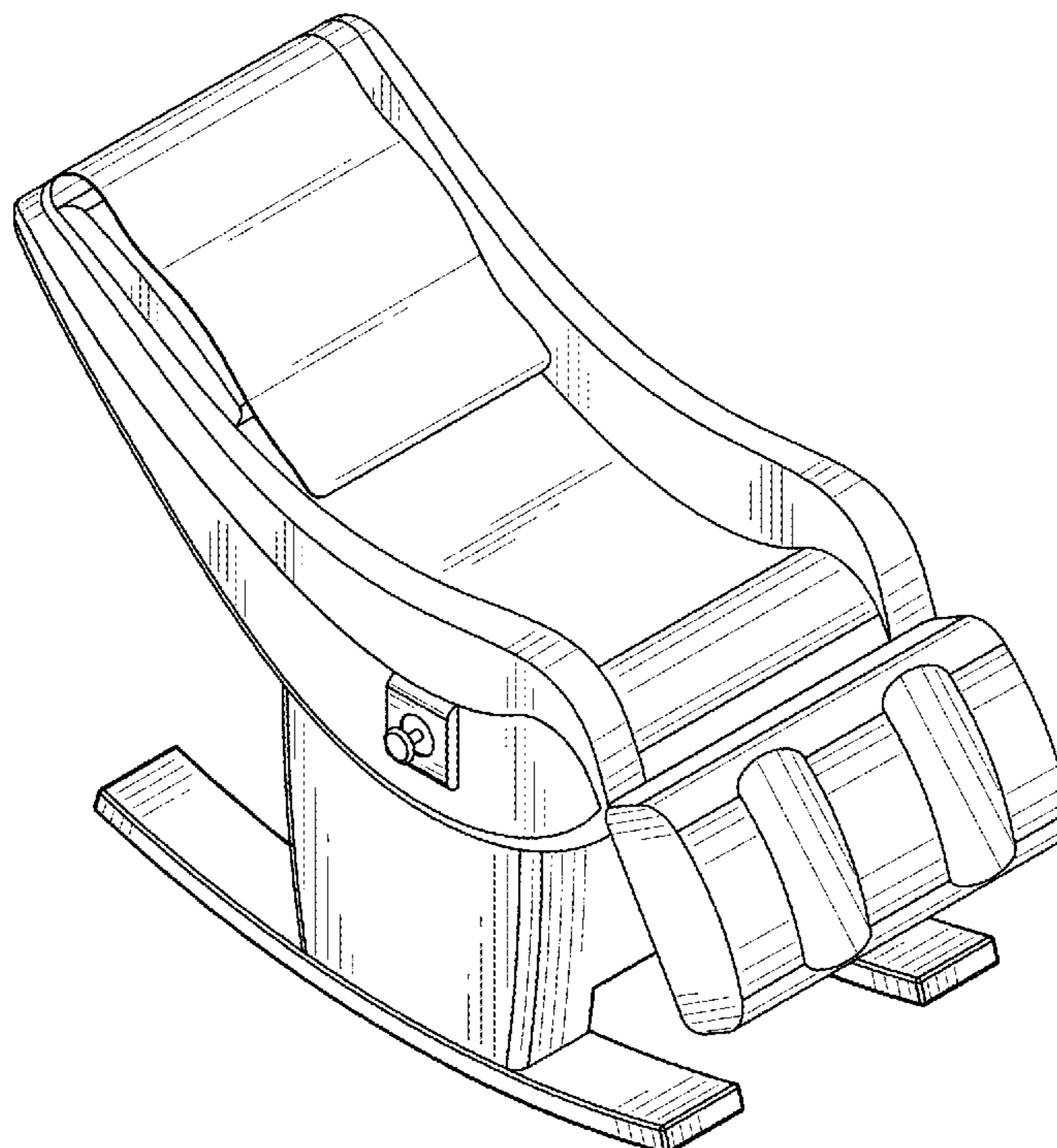
(57) **CLAIM**

The ornamental design for a rocking chair massager, as
shown.

DESCRIPTION

FIG. 1 is a front right perspective view showing of a rocking
chair massager.
FIG. 2 is a front view thereof.
FIG. 3 is a rear view thereof.
FIG. 4 is a left side view thereof.
FIG. 5 is a left side view thereof.
FIG. 6 is a top plan view thereof; and,
FIG. 7 is a bottom plan view thereof.

1 Claim, 6 Drawing Sheets



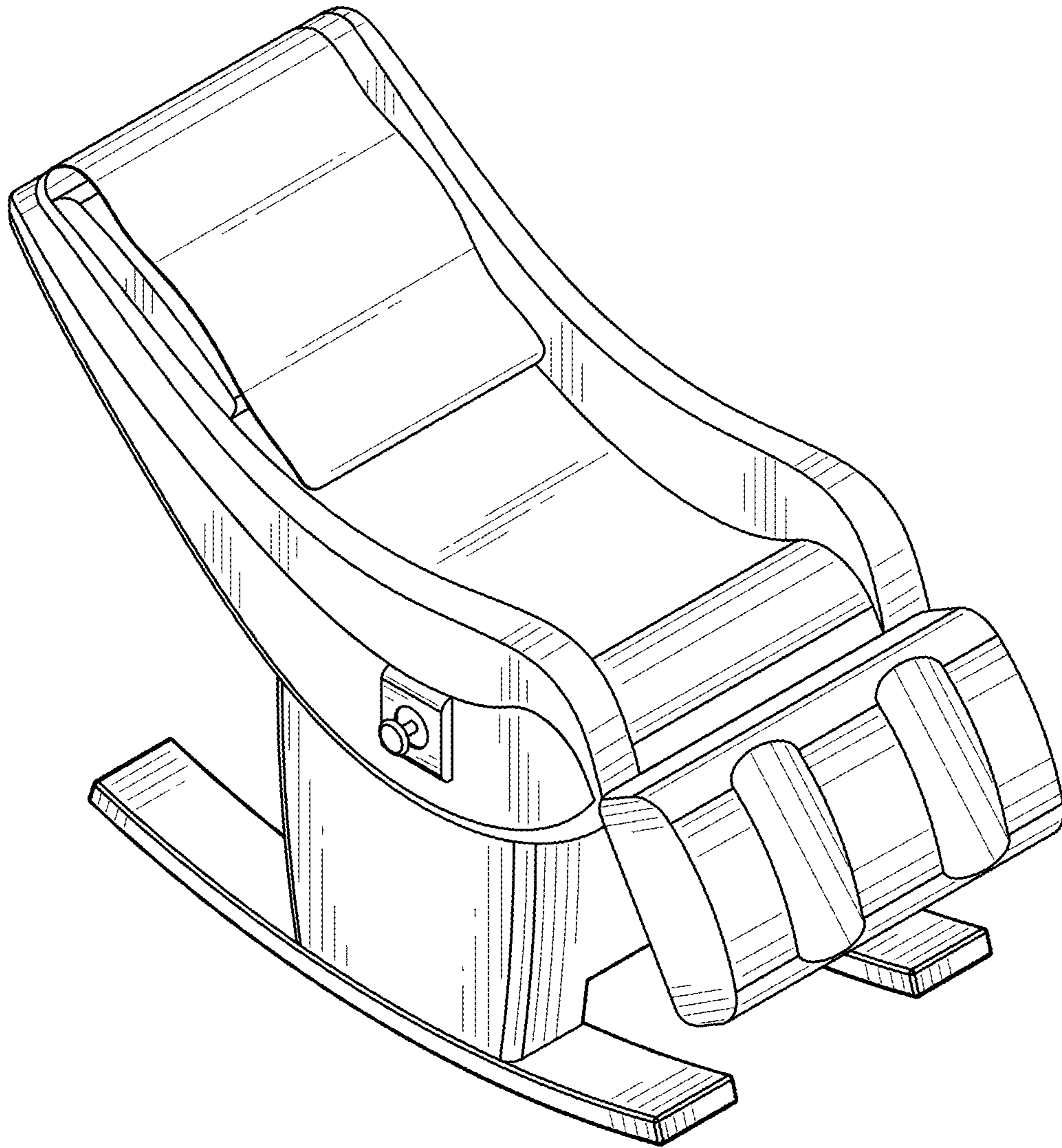


FIG. 1

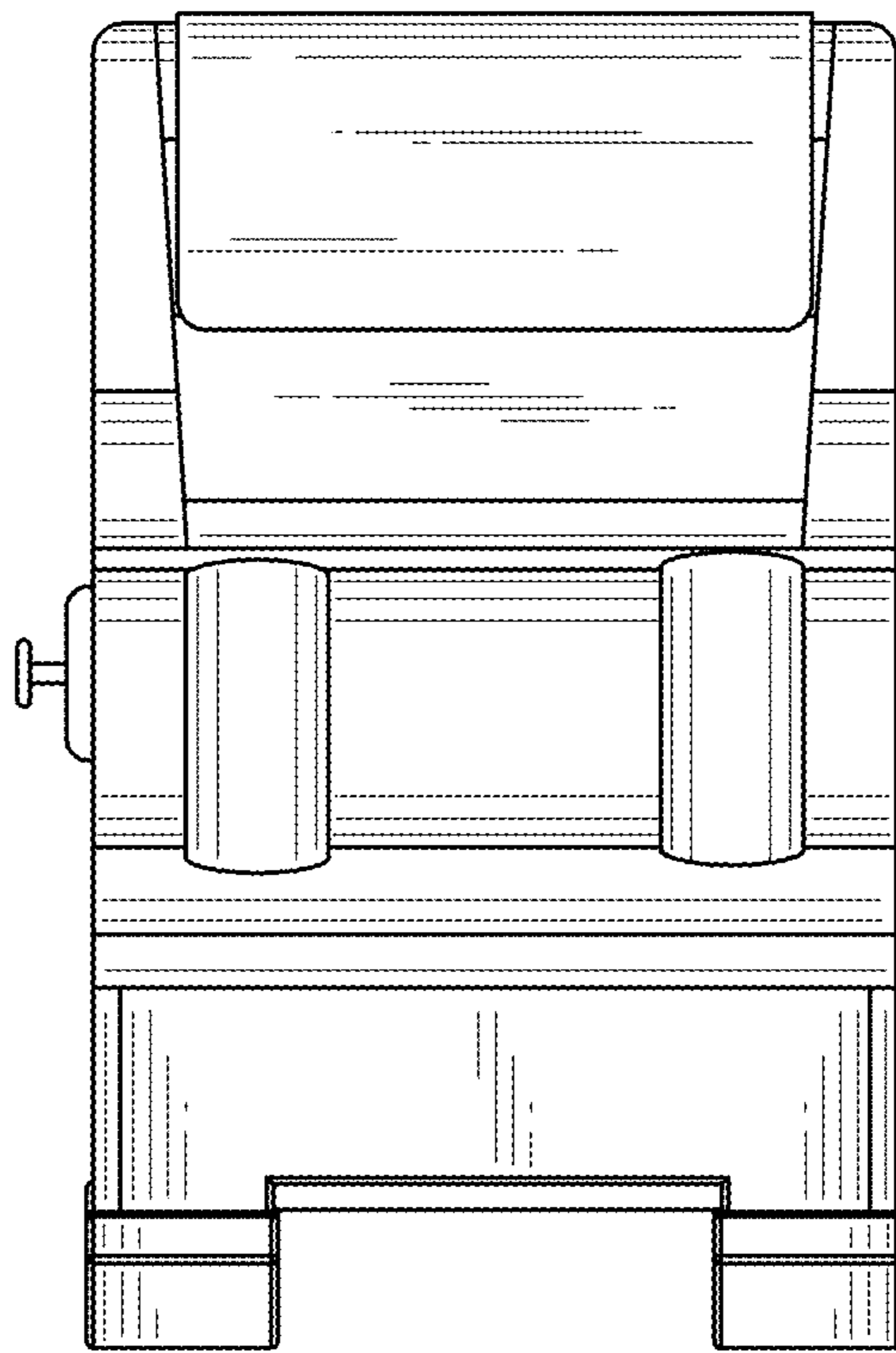


FIG. 2

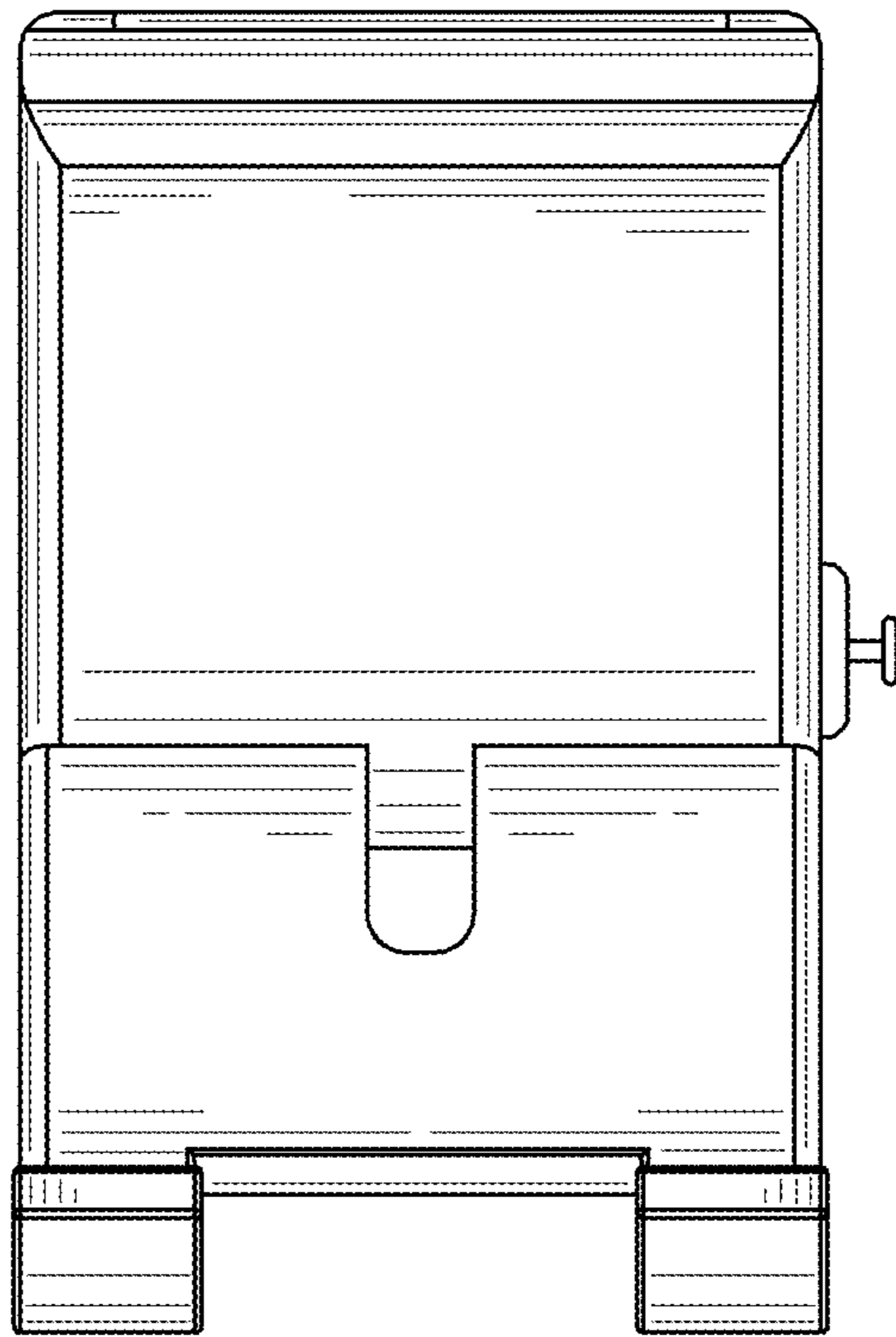


FIG. 3

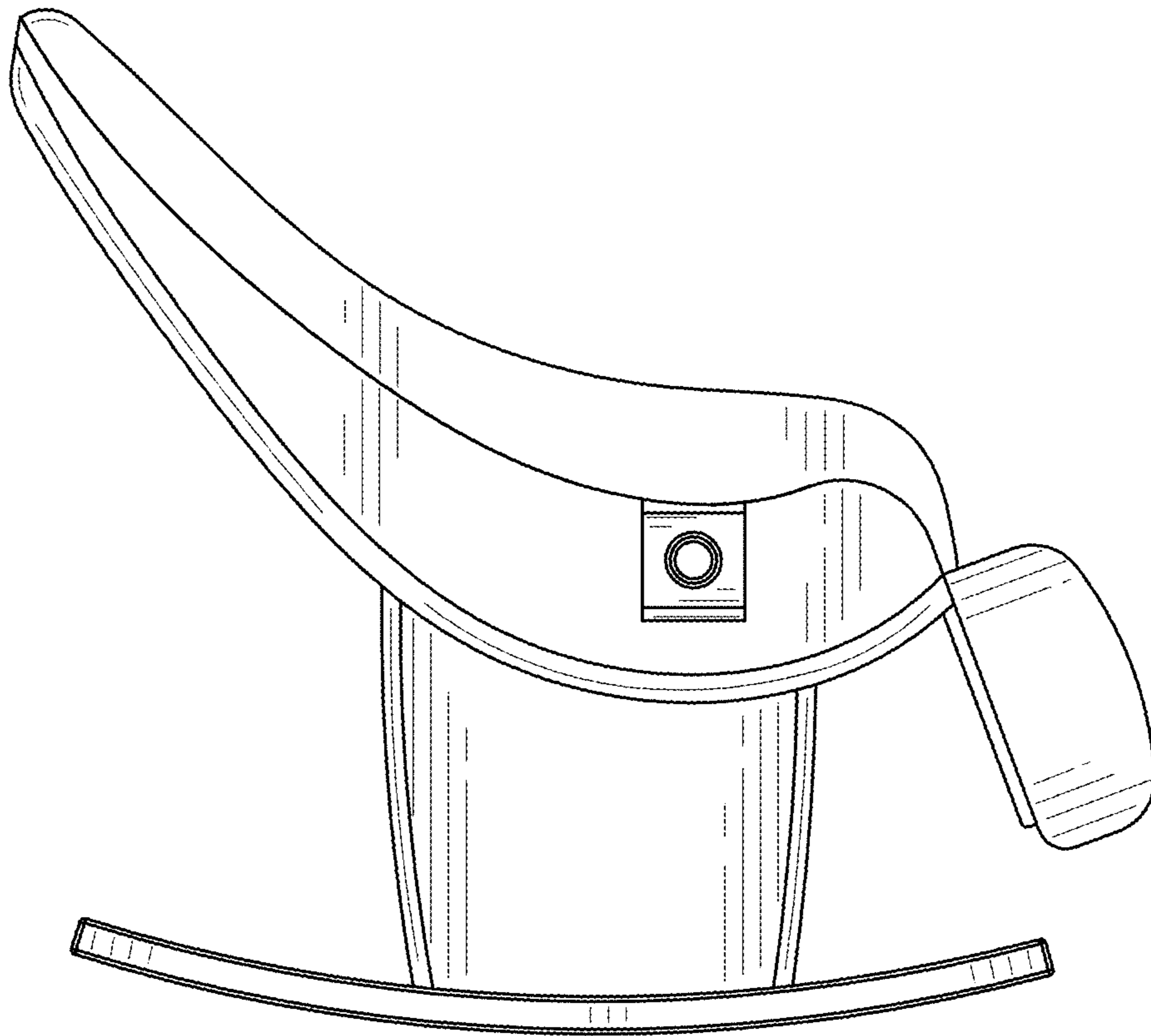


FIG. 4

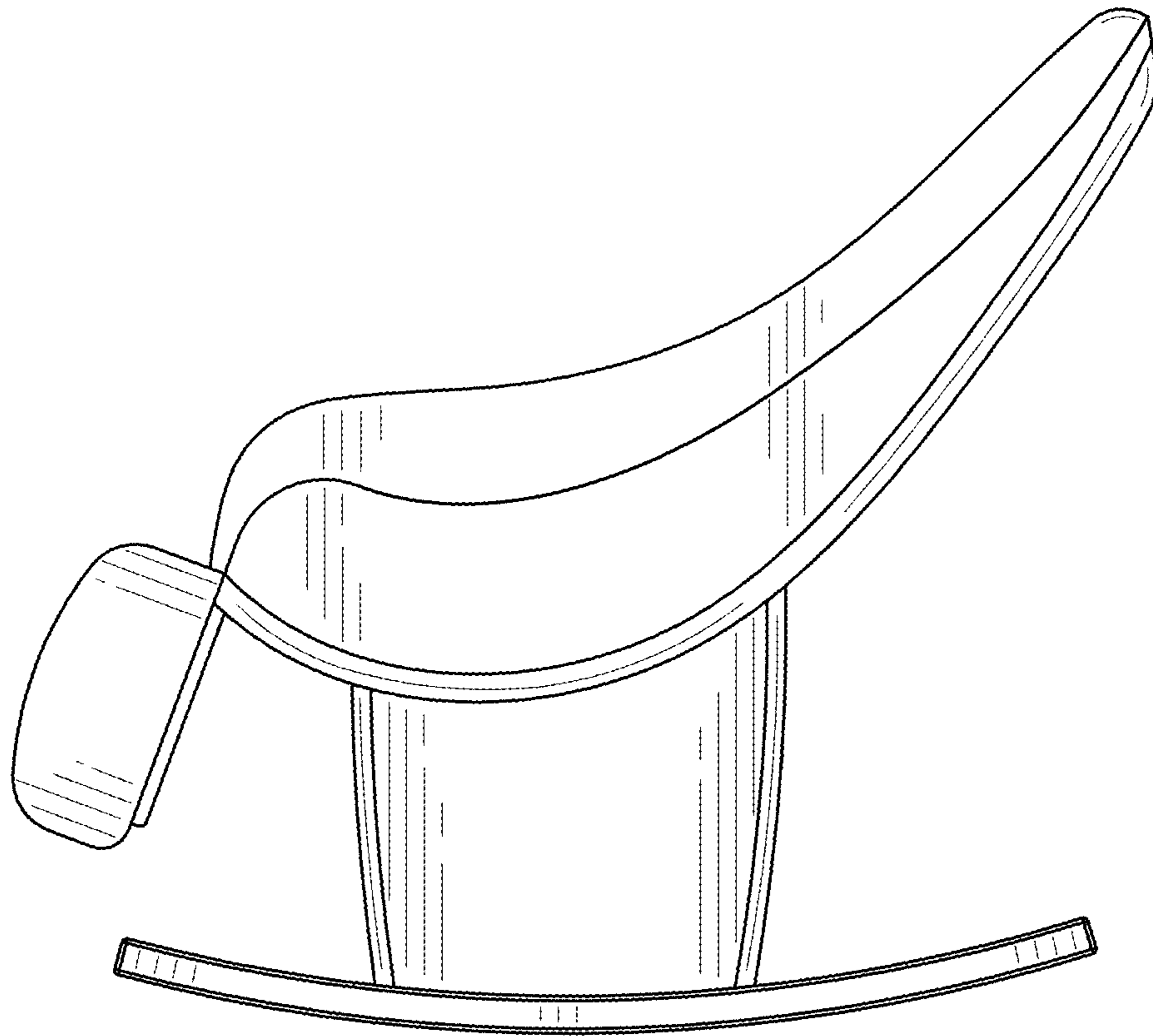


FIG. 5

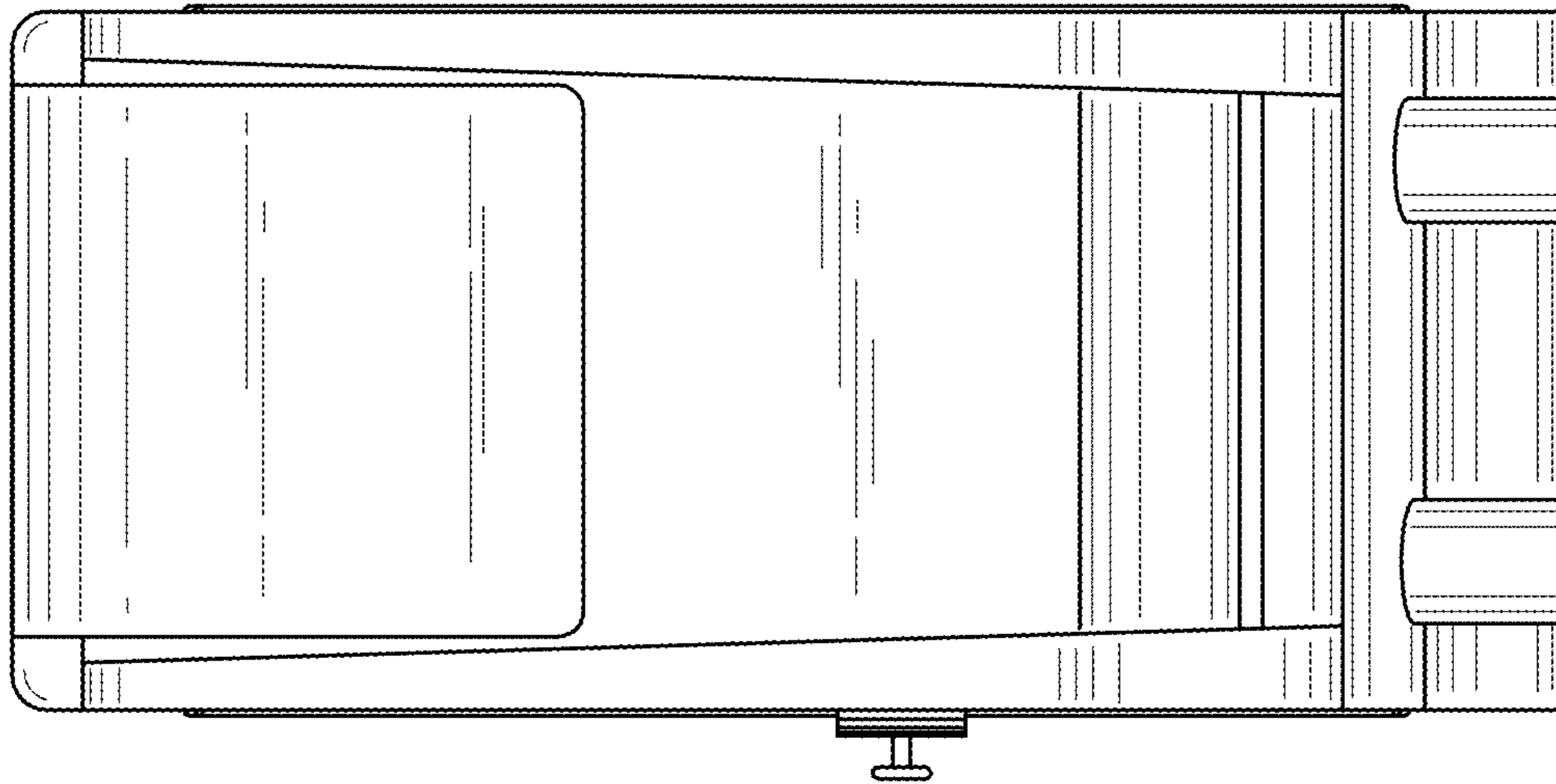


FIG. 6

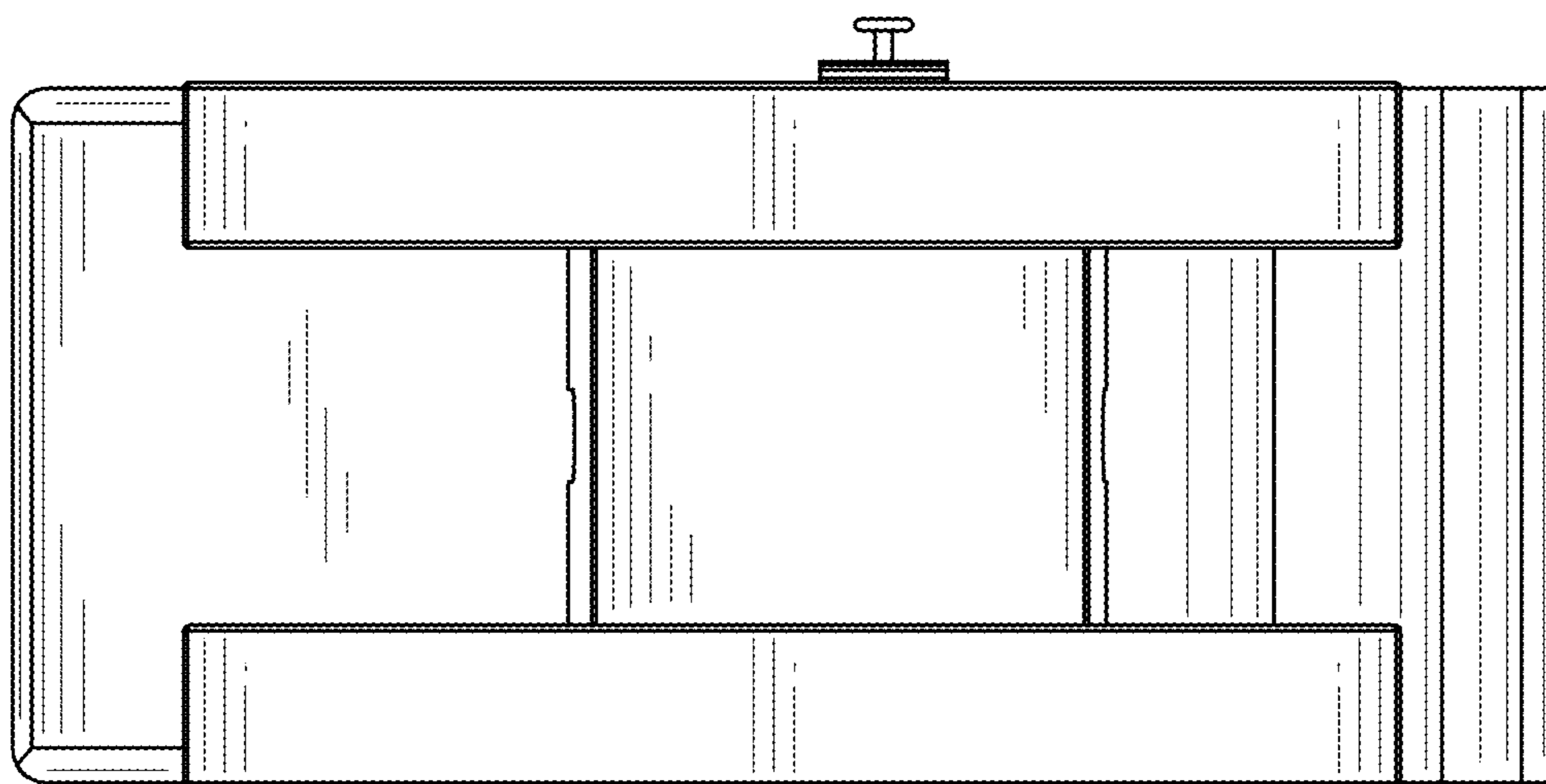


FIG. 7