



US00D917185S

(12) **United States Design Patent** (10) **Patent No.:** **US D917,185 S**
Reid et al. (45) **Date of Patent:** **** Apr. 27, 2021**

(54) **CINEMA LOUNGE CHAIR**

(56) **References Cited**

(71) Applicants: **Charles S. Reid**, Holland, MI (US);
Bill Foley, Grandville, MI (US);
George Kinsella, Holland, MI (US);
Ron Lamer, Zeeland, MI (US); **Ernest**
White, Allegan, MI (US); **Ryan**
Volgelheim, Holland, MI (US)

U.S. PATENT DOCUMENTS

| | | | |
|--------------|---------|-------------------|--------|
| D231,878 S * | 6/1974 | Kellum | D6/334 |
| D288,505 S * | 3/1987 | Yamasaki | D6/334 |
| D395,960 S * | 7/1998 | Smith | D6/360 |
| D395,961 S * | 7/1998 | Smith | D6/360 |
| D442,375 S * | 5/2001 | Stammberger | D6/335 |
| D532,984 S * | 12/2006 | Bernett | D6/367 |
| D534,734 S * | 1/2007 | Bernett | D6/367 |
| D541,064 S * | 4/2007 | Miller | D6/367 |
| D551,869 S * | 10/2007 | Zambelli | D6/367 |
| D602,704 S * | 10/2009 | Tierney | D6/367 |

(Continued)

Primary Examiner — Deanna L Pratt

(74) *Attorney, Agent, or Firm* — King & Partners, PLC

(72) Inventors: **Charles S. Reid**, Holland, MI (US);
Bill Foley, Grandville, MI (US);
George Kinsella, Holland, MI (US);
Ron Lamer, Zeeland, MI (US); **Ernest**
White, Allegan, MI (US); **Ryan**
Volgelheim, Holland, MI (US)

(73) Assignee: **First Class Seating, LLC**, Zeeland, MI (US)

(57) **CLAIM**

The ornamental design for a cinema lounge chair, as shown and described.

(**) Term: **15 Years**

(21) Appl. No.: **29/634,230**

DESCRIPTION

(22) Filed: **Jan. 19, 2018**

FIG. 1 is a front right perspective view of a cinema lounge chair showing, in particular, the ornamental design thereof. It will be understood that a front left perspective view is a mirror image of the front right perspective view.

Related U.S. Application Data

(63) Continuation of application No. 29/521,282, filed on Mar. 22, 2015, now abandoned.

FIG. 2 is a right side view of the cinema lounge chair of FIG. 1. It will be understood that a left side view is a mirror image of the right side view.

(51) **LOC (13) Cl.** **06-01**

(52) **U.S. Cl.**
USPC **D6/334**

FIG. 3 is a top plan view of the cinema lounge chair of FIG. 1; and,

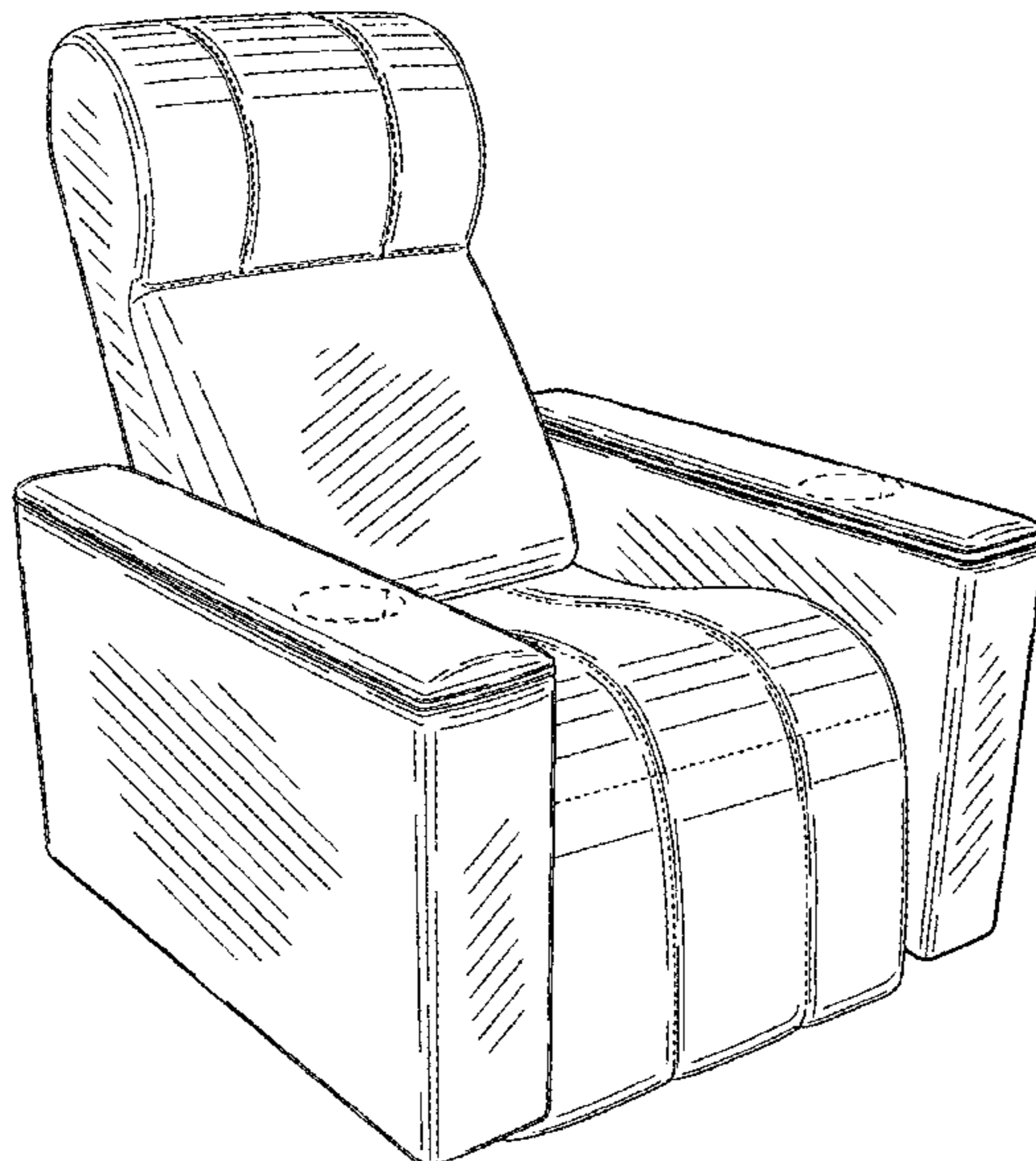
(58) **Field of Classification Search**
USPC D6/334, 335, 336, 338, 349, 355, 381,
D6/716, 716.1, 356; 297/118, 119, 135,
297/144, 232, 445.1, 448.1, 452.18, 156,
297/175, 216.1; 5/12.1, 12.2
CPC .. A47C 1/02; A47C 1/12; A47C 11/00; A47C
17/00; A47C 17/02; A47C 4/52; A47C
9/00

FIG. 4 is a rear end view of the cinema lounge chair of FIG. 1.

It will be understood that the bottom of the cinema lounge chair is flat and unornamented and/or not visible during normal use. The short broken lines in the drawings represent stitching. The long broken lines in the drawings are included to show unclaimed subject matter only and form no part of the claimed design.

See application file for complete search history.

1 Claim, 4 Drawing Sheets



(56)

References Cited

U.S. PATENT DOCUMENTS

| | | | | |
|------------|------|---------|-------------------|-------------|
| D622,516 | S * | 8/2010 | Delmestri | D6/367 |
| D657,170 | S * | 4/2012 | Spoelhof | D6/716.2 |
| D657,967 | S * | 4/2012 | Spoelhof | D6/334 |
| D680,771 | S * | 4/2013 | Spoelhof | D6/381 |
| D699,043 | S * | 2/2014 | McNae | D6/335 |
| D699,960 | S * | 2/2014 | Potter | D6/367 |
| 8,662,588 | B1 * | 3/2014 | Delmestri | A61G 5/1059 |
| | | | | 297/344.15 |
| D741,072 | S * | 10/2015 | Fernandez | D6/335 |
| D804,210 | S * | 12/2017 | Borras Pons | D6/367 |
| D805,003 | S * | 12/2017 | Wieland | D12/131 |
| D824,685 | S * | 8/2018 | Dix | D6/367 |
| D851,953 | S * | 6/2019 | Shen | D6/367 |
| D852,529 | S * | 7/2019 | Shen | D6/367 |
| D853,139 | S * | 7/2019 | Shen | D6/367 |
| 10,456,312 | B1 * | 10/2019 | Cashatt | A61G 7/16 |
| D865,391 | S * | 11/2019 | Natuzzi | D6/367 |
| D881,596 | S * | 4/2020 | Peng | D6/367 |
| D883,685 | S * | 5/2020 | Carter | D6/336 |

* cited by examiner

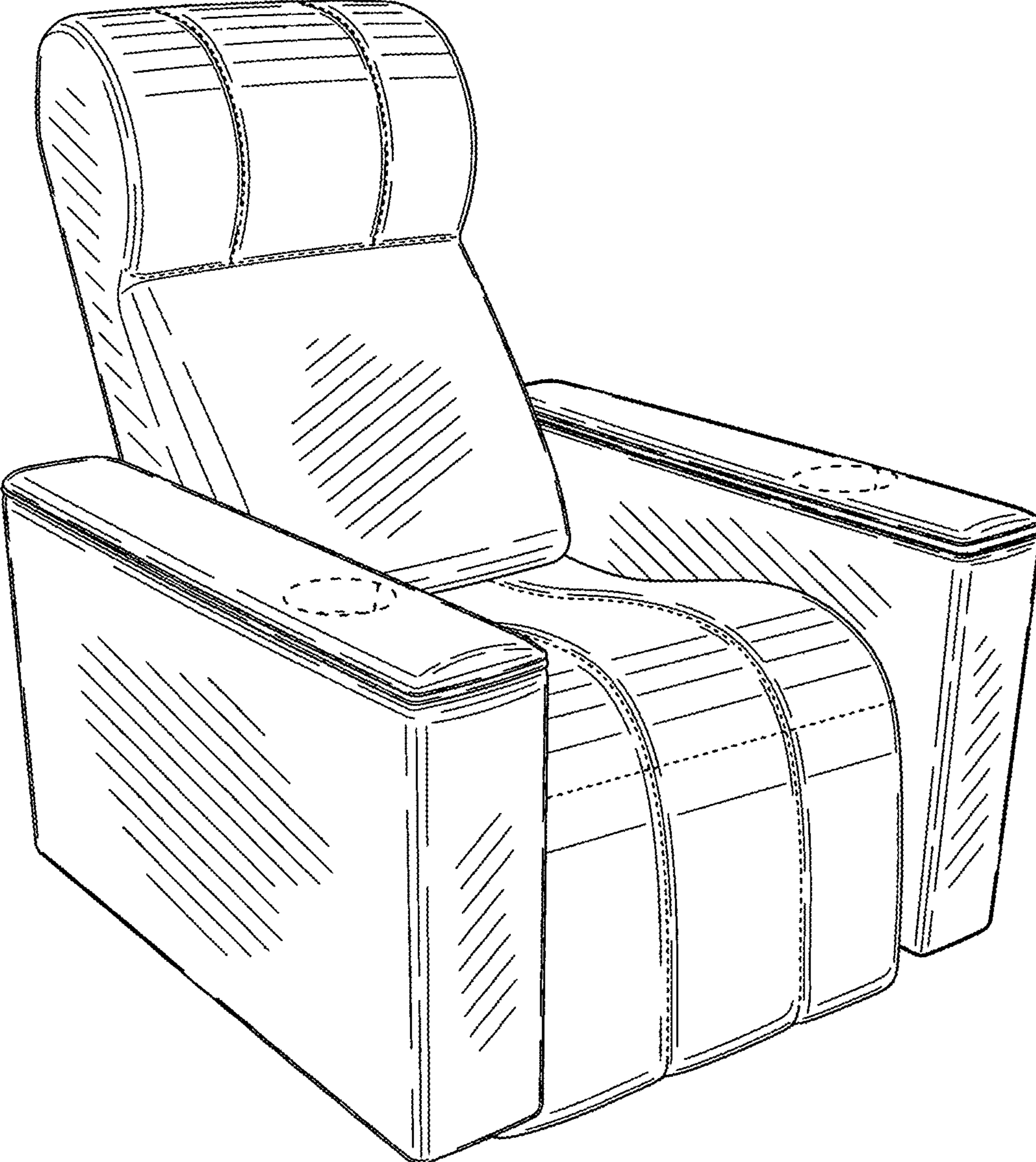


FIG. 1

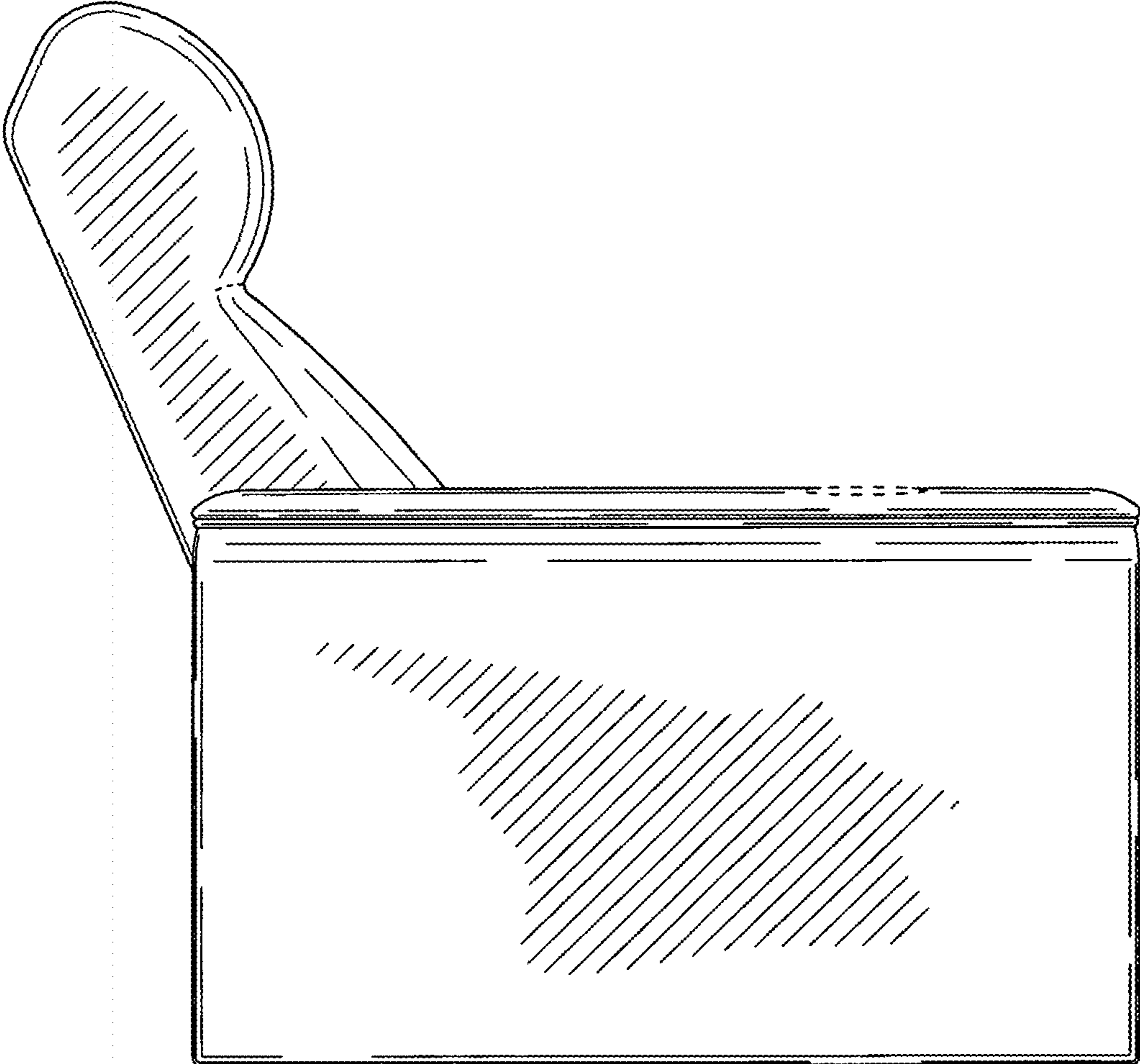


FIG. 2

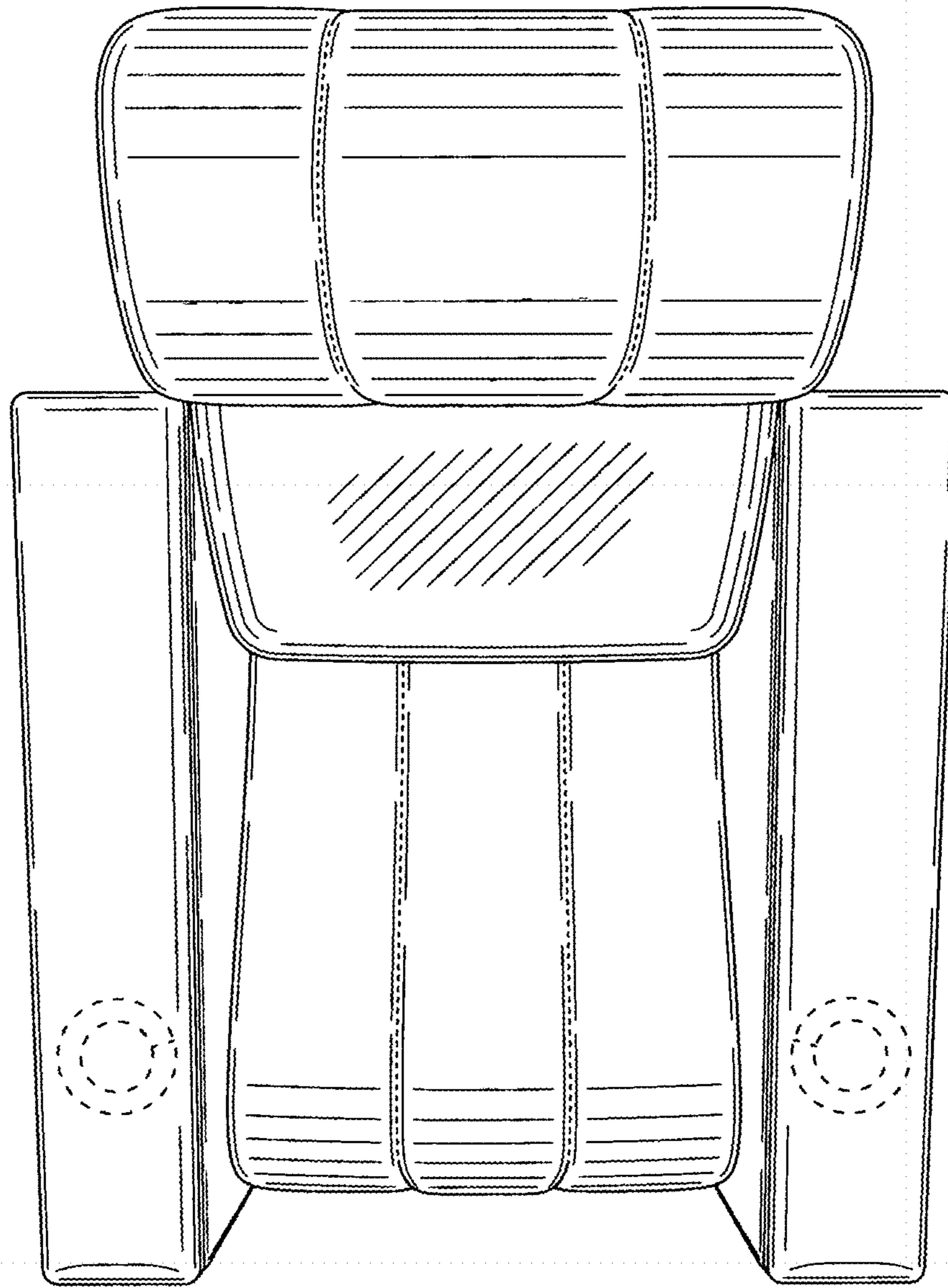


FIG. 3

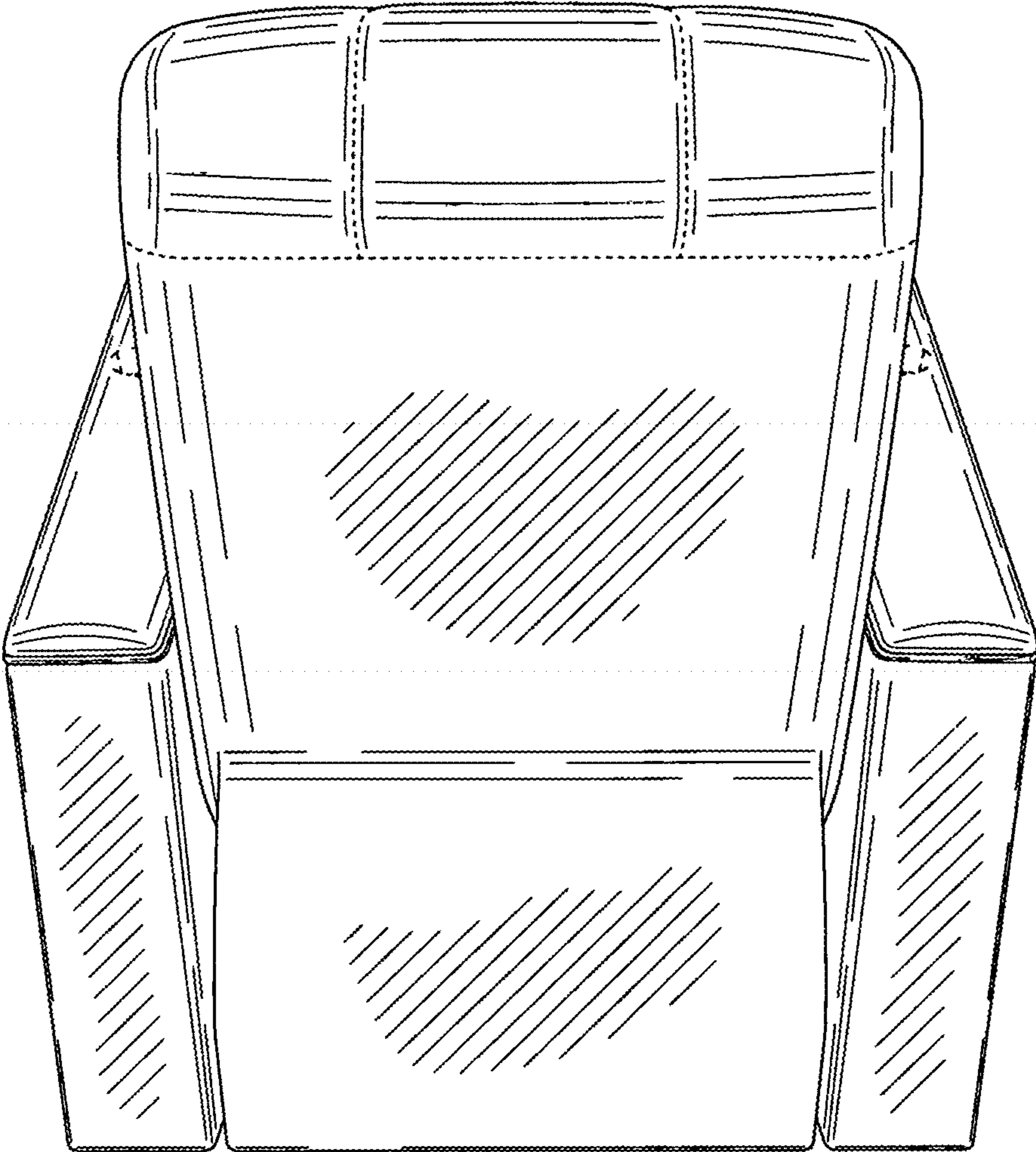


FIG. 4