



US00D917184S

(12) **United States Design Patent**
Tsai

(10) **Patent No.:** **US D917,184 S**

(45) **Date of Patent:** **** Apr. 27, 2021**

(54) **HANGER**

(71) Applicant: **TRYKING DEVELOPMENT CORPORATION**, Kaohsiung (TW)

(72) Inventor: **Ming Tsung Tsai**, Kaohsiung (TW)

(73) Assignee: **TRYKING DEVELOPMENT CORPORATION**, Kaohsiung (TW)

(**) Term: **15 Years**

(21) Appl. No.: **29/715,321**

(22) Filed: **Dec. 2, 2019**

(51) **LOC (13) Cl.** **06-08**

(52) **U.S. Cl.**
USPC **D6/317**

(58) **Field of Classification Search**
USPC D6/315-328
CPC A47G 25/32; A47G 25/1457; A47G 25/20;
A47G 25/14; A47G 25/743; A47G 25/28;
A47G 25/442; A47G 25/36; A47G 25/06;
A47G 25/26; A47G 25/30; A47G 25/24;
A47G 25/0692; A47G 2025/448
See application file for complete search history.

(56) **References Cited**

U.S. PATENT DOCUMENTS

1,741,750 A * 12/1929 Wordingham A47G 25/24
223/92
3,162,342 A * 12/1964 Mueller A47G 25/24
223/88

D216,571 S * 2/1970 Schier D6/317
D498,934 S * 11/2004 Saito D6/317
D795,599 S * 8/2017 Pao D6/317

* cited by examiner

Primary Examiner — Lauren R Calve

(74) *Attorney, Agent, or Firm* — Pai Patent & Trademark Law Firm; Chao-Chang David Pai

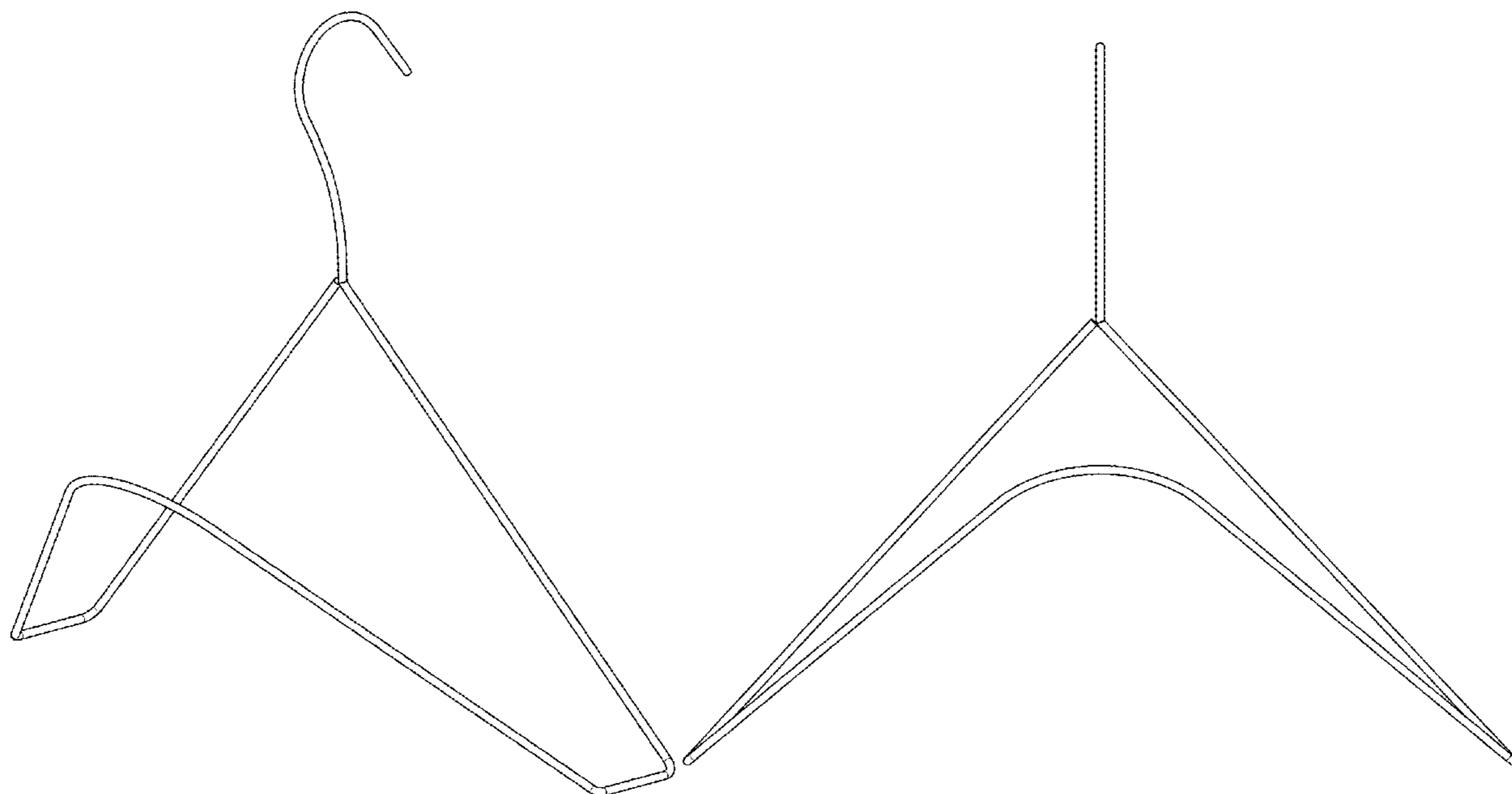
(57) **CLAIM**

The ornamental design for a hanger, as shown and described.

DESCRIPTION

FIG. 1 is a perspective view of a hanger, showing my new design;
FIG. 2 is a front view thereof;
FIG. 3 is a rear view thereof;
FIG. 4 is a left side view thereof;
FIG. 5 is a right side view thereof;
FIG. 6 is a top view thereof;
FIG. 7 is a bottom view thereof;
FIG. 8 is a front side view thereof shown in an environment of use, in which the hanger hangs a clothes hanger;
FIG. 9 is a perspective view thereof shown in an environment of use, in which the hanger hangs a piece of clothing;
FIG. 10 is a right side view thereof shown in an environment of use, in which the hanger hangs a bag; and,
FIG. 11 is a right side view thereof shown in an environment of use, in which the hanger hangs a pillow.
The broken lines shown are included for the purpose of illustrating the environment in FIGS. 8-11 that forms no part of the claimed design.

1 Claim, 11 Drawing Sheets



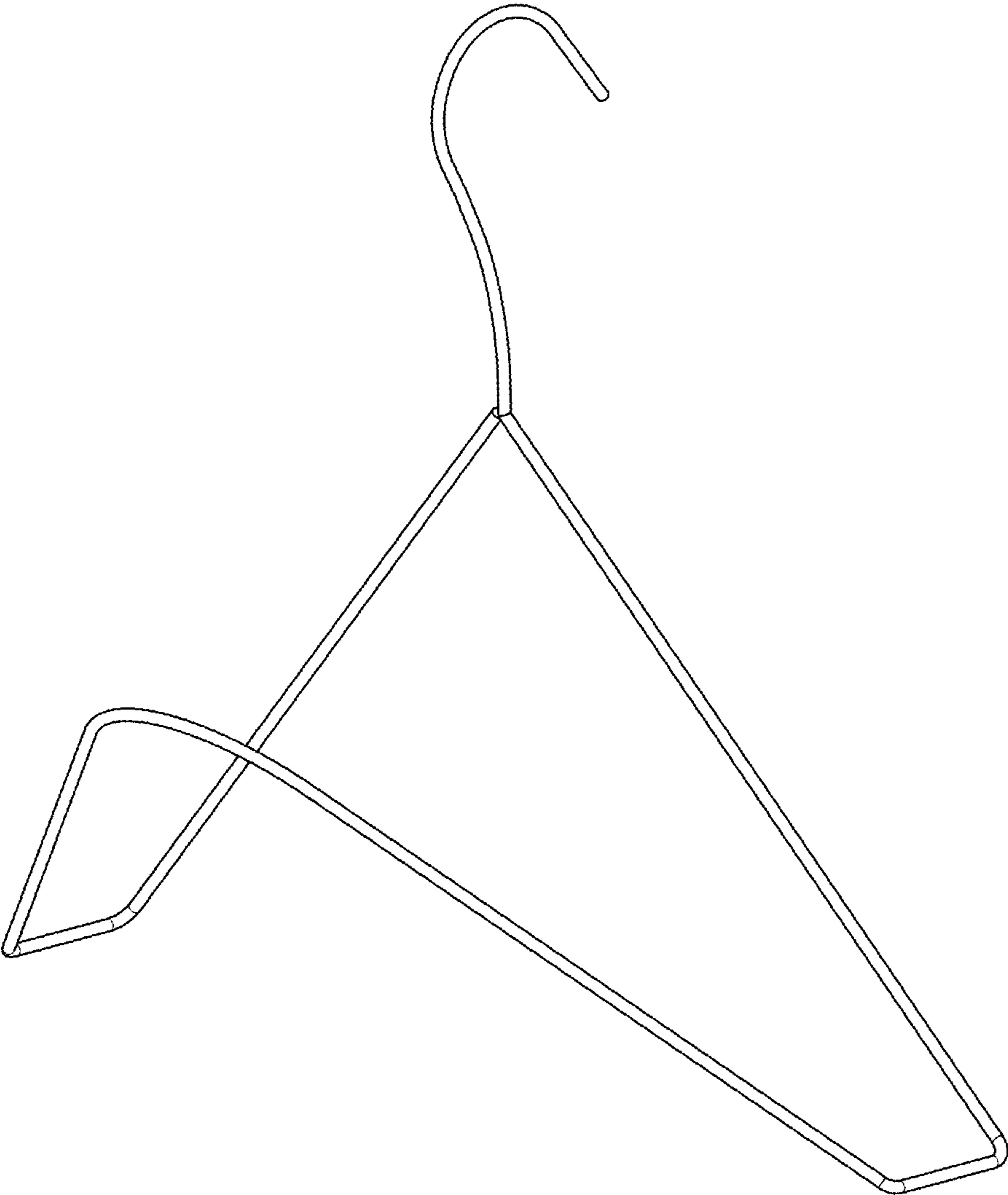


FIG.1

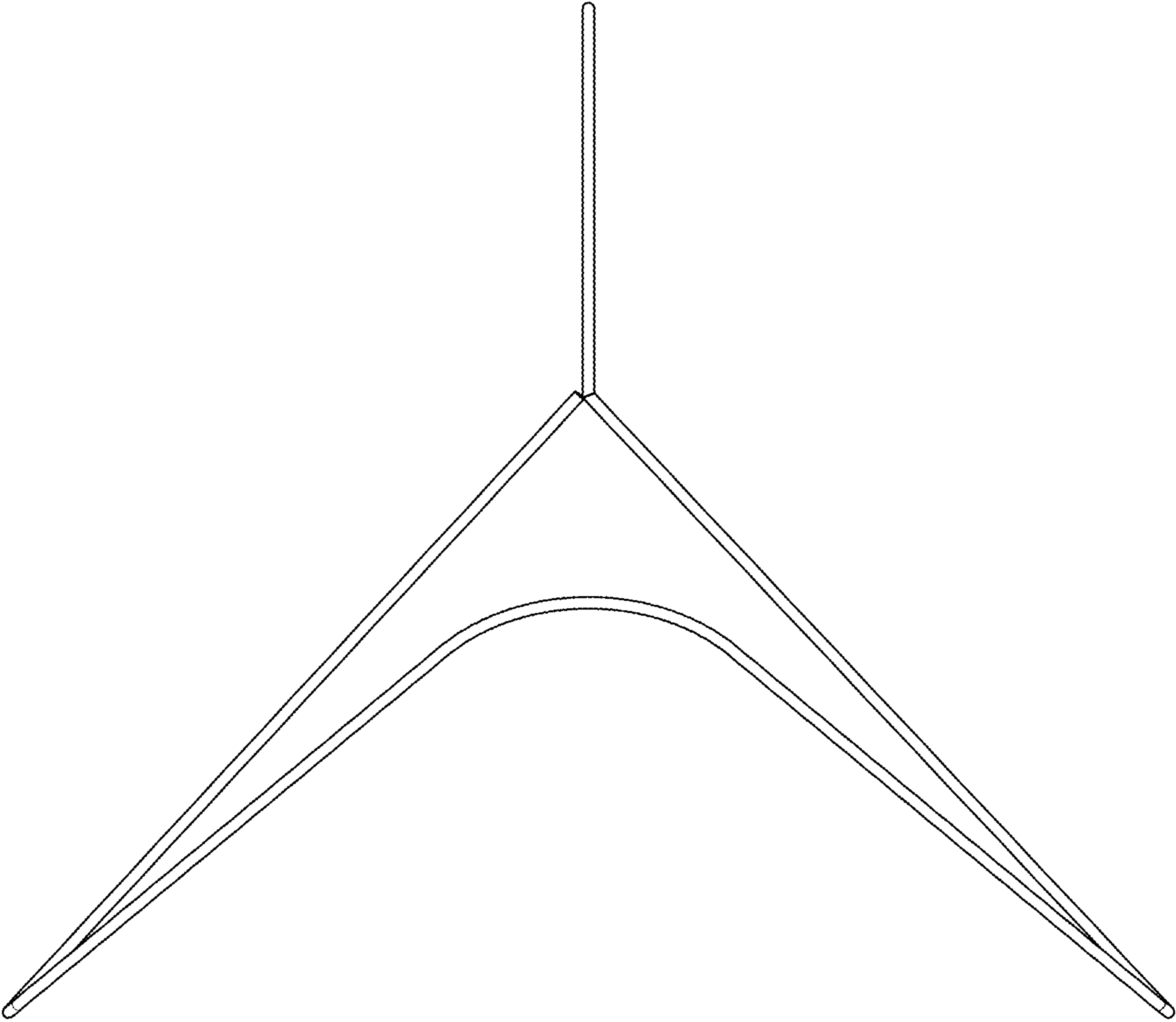


FIG.2

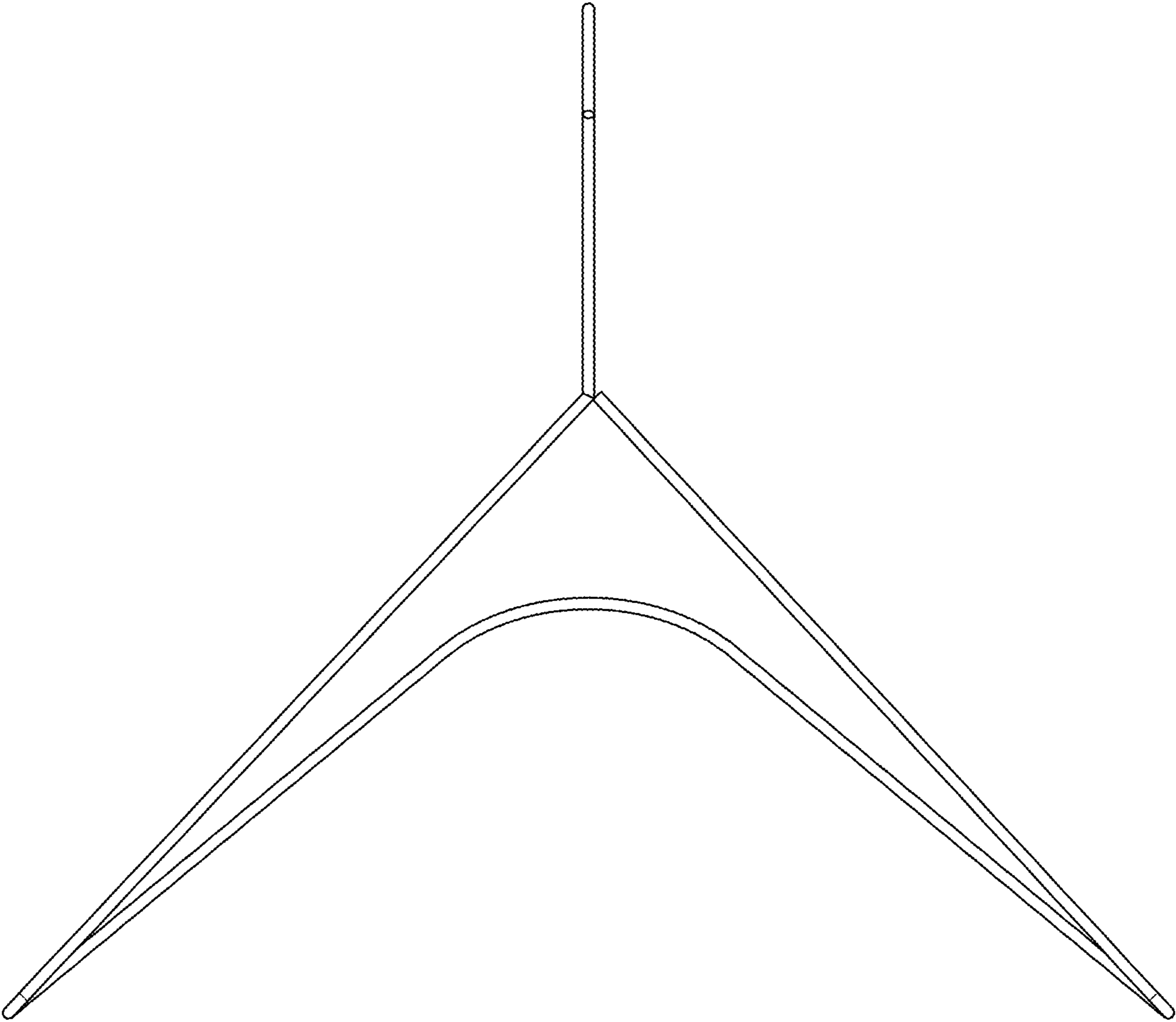


FIG.3

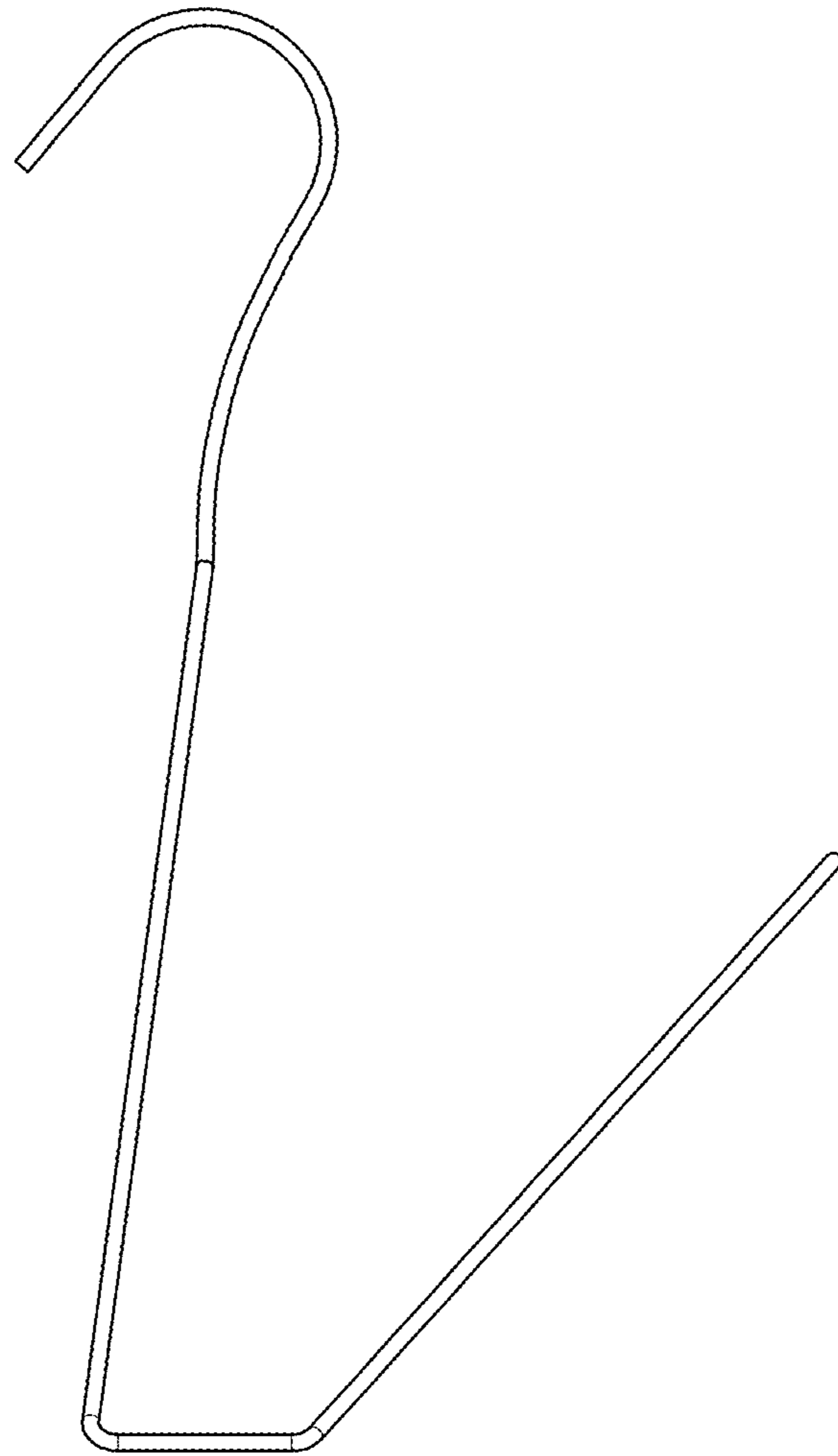


FIG.4

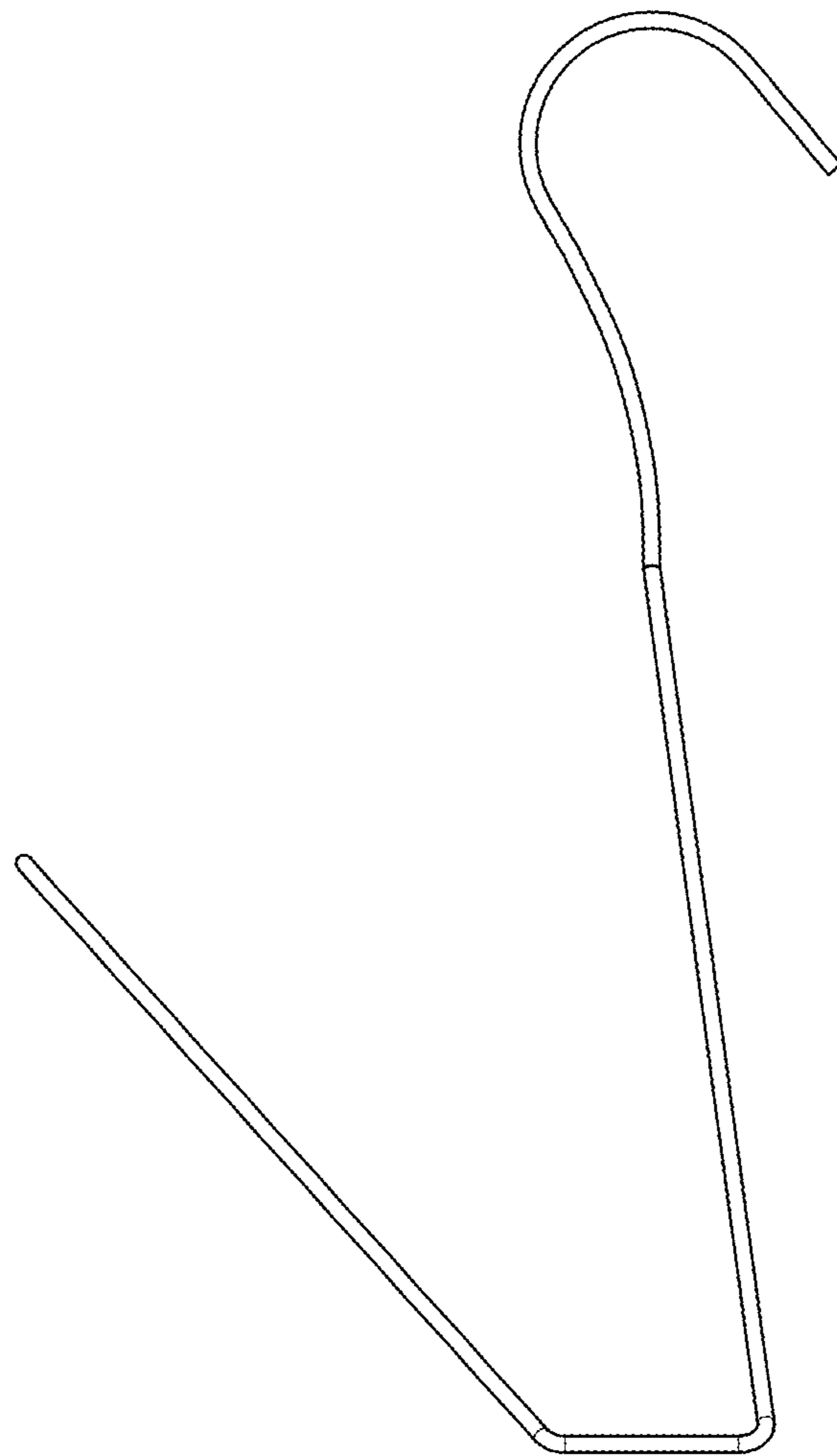


FIG.5

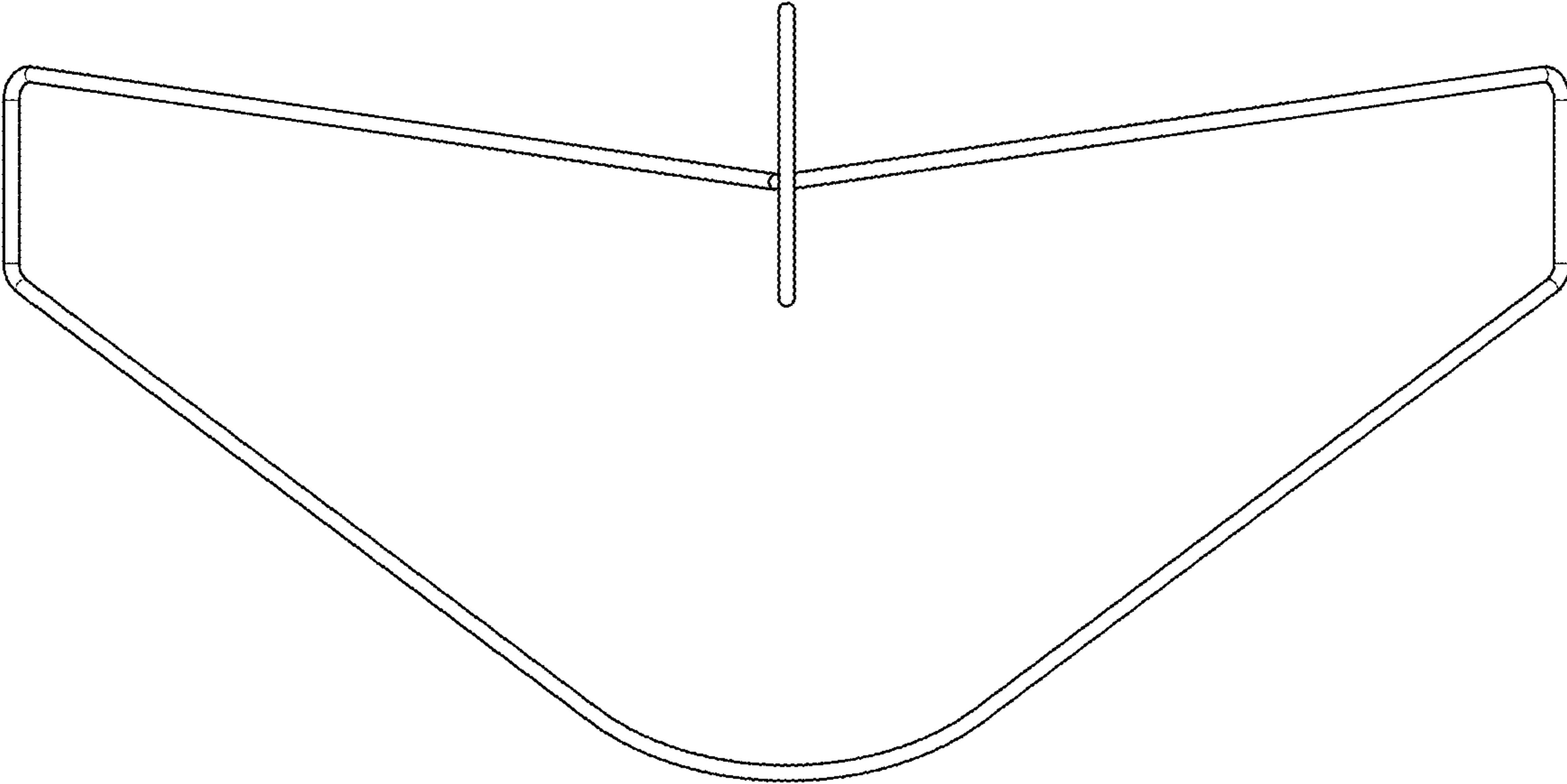


FIG.6

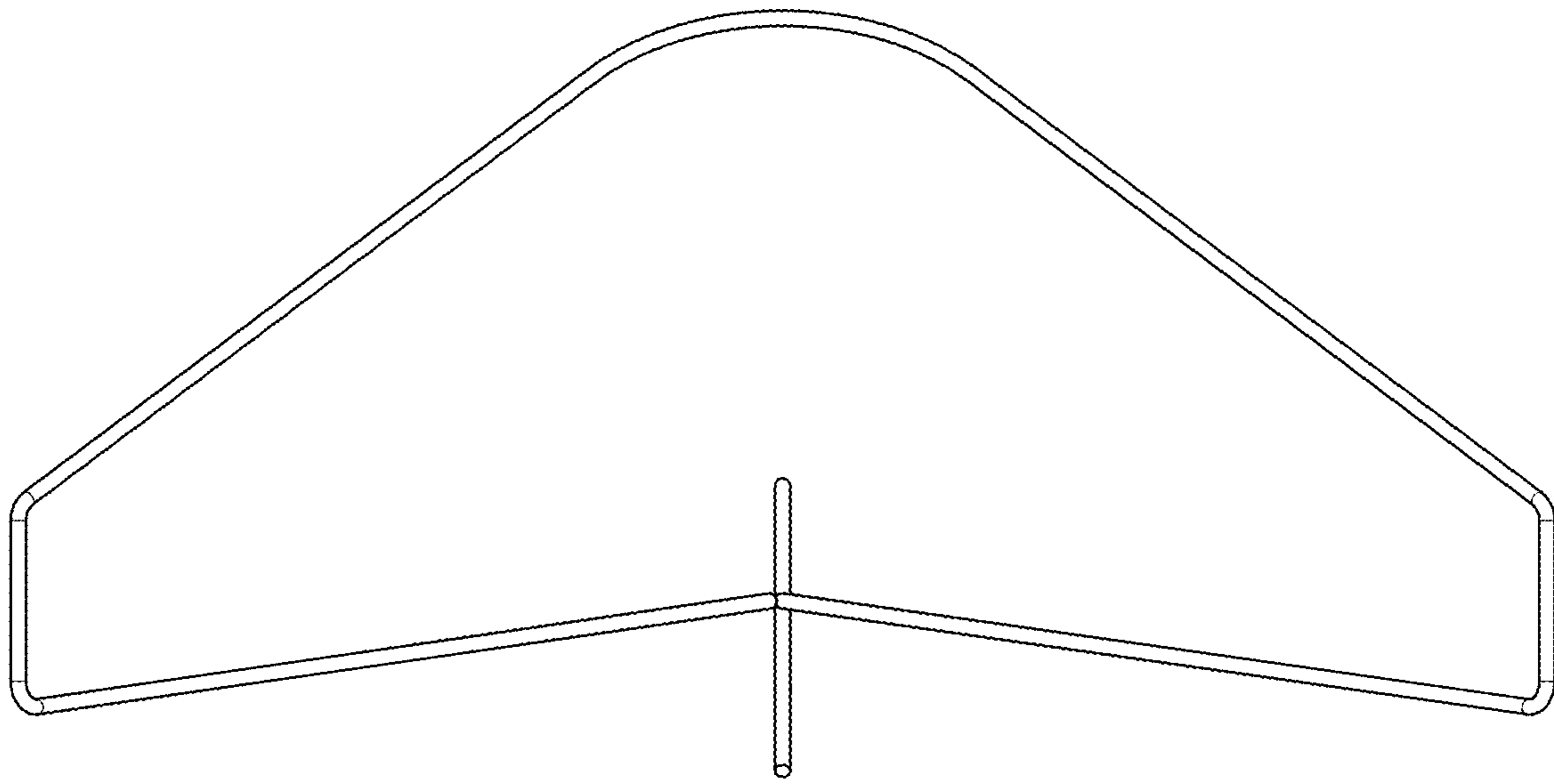


FIG.7

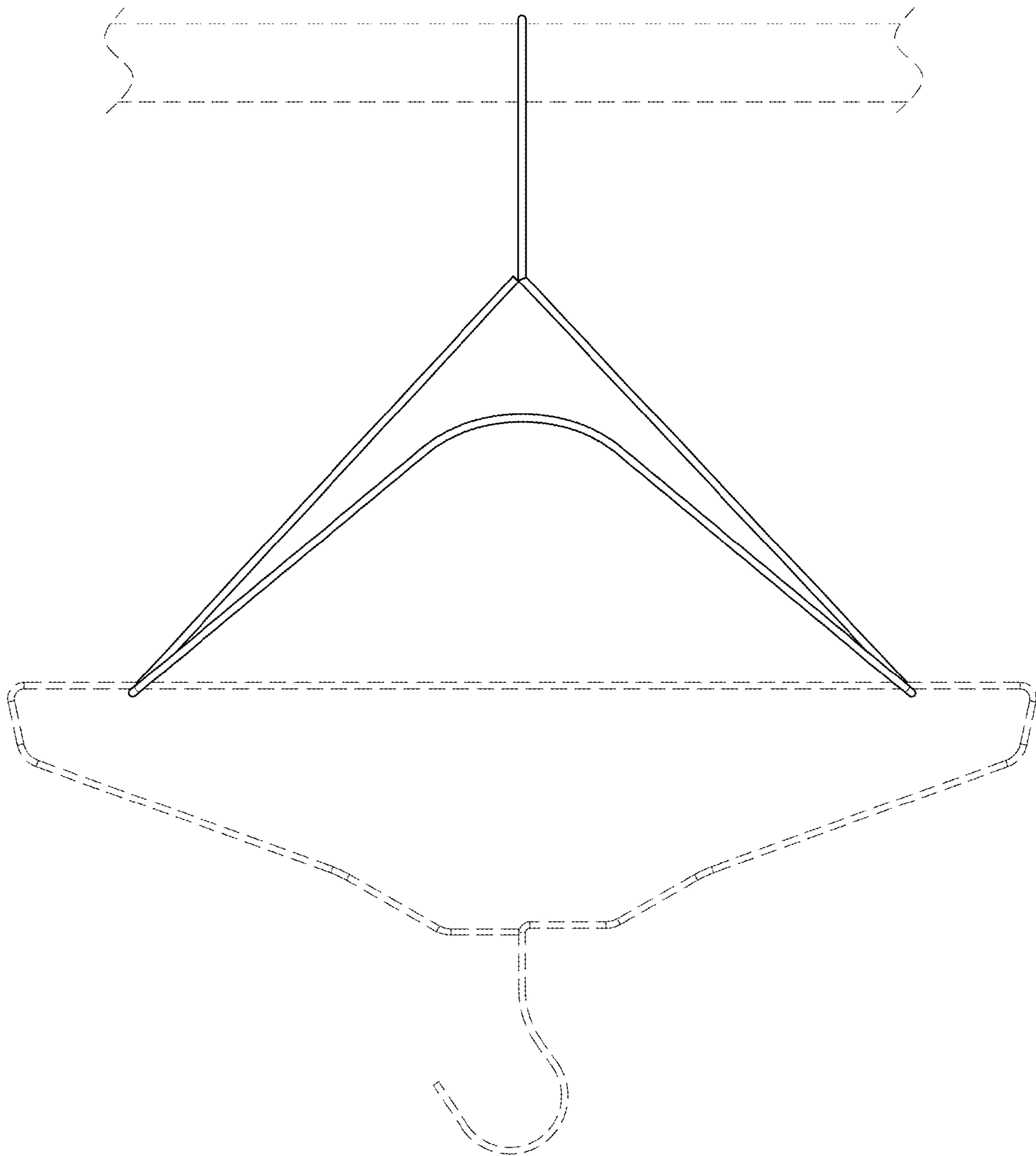


FIG.8

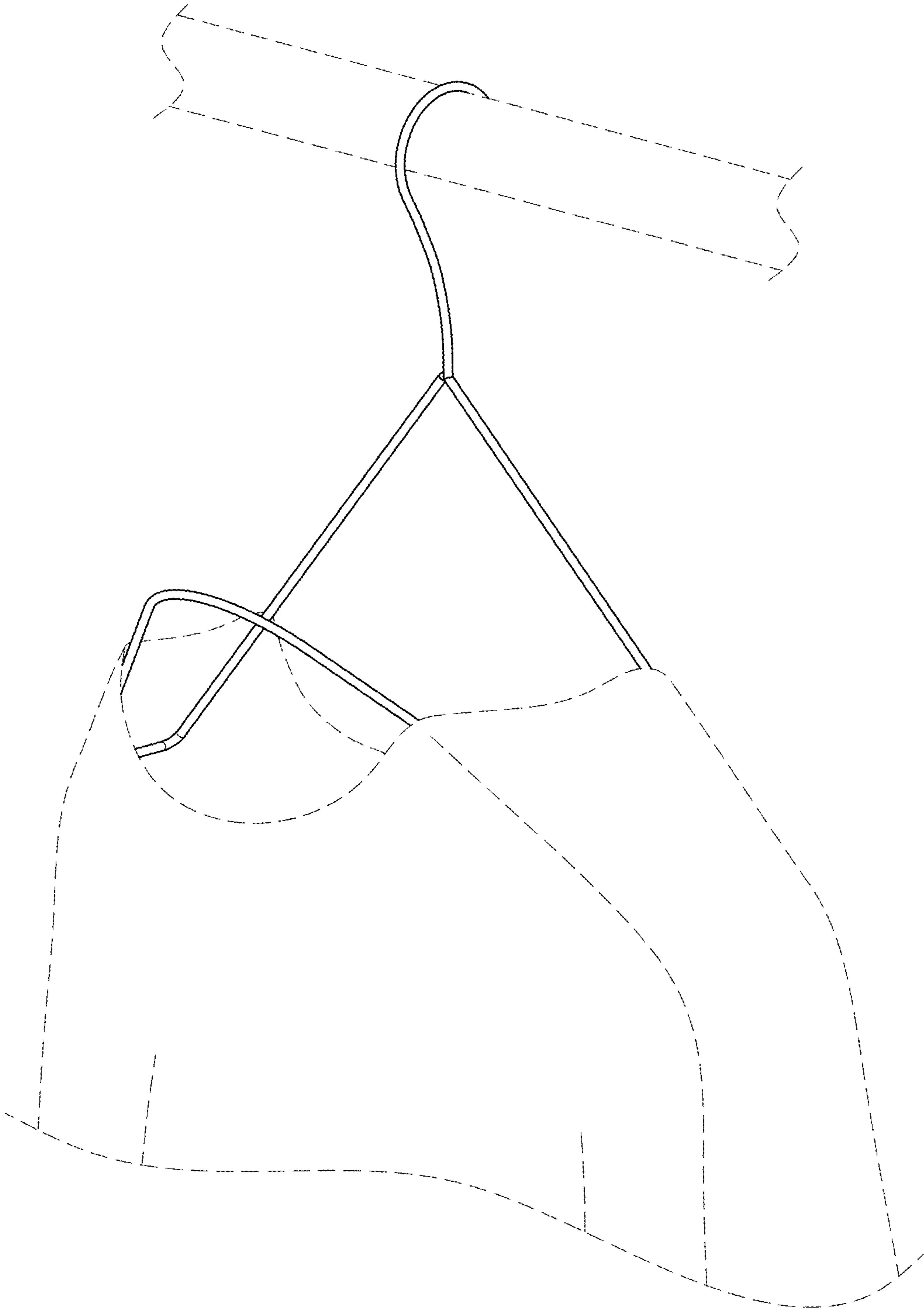


FIG.9

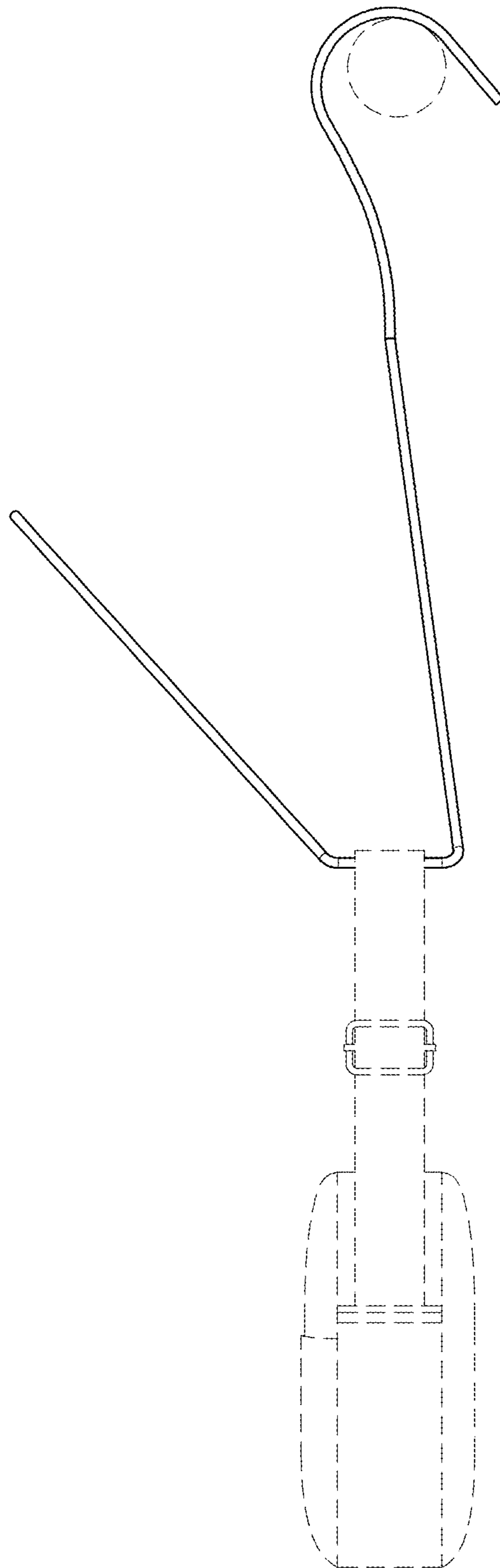


FIG.10

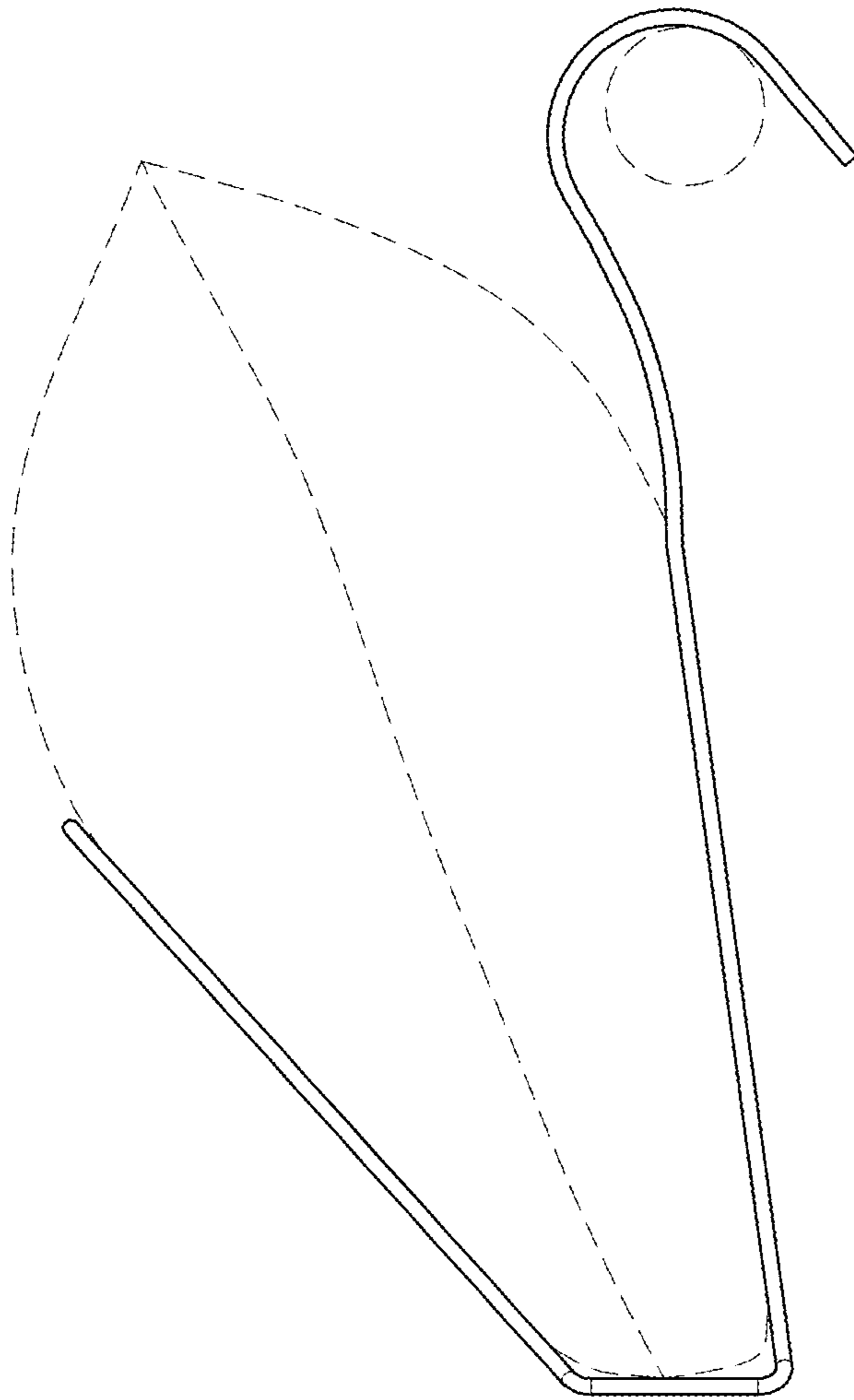


FIG.11