



US00D917177S

(12) **United States Design Patent**
Dovellos et al.

(10) **Patent No.:** **US D917,177 S**
(45) **Date of Patent:** **** Apr. 27, 2021**

(54) **HANDLE**

FOREIGN PATENT DOCUMENTS

(71) Applicant: **Royal Brush Manufacturing, Inc.**,
Munster, IN (US)

CN 304469962 * 1/2018
CN 305262988 * 7/2019

(Continued)

(72) Inventors: **Michael C. Dovellos**, Munster, IN
(US); **Susan L. Kelly**, Munster, IN
(US); **Theresa AmRhein Thompson**,
Munster, IN (US)

Primary Examiner — Karen E Eldridge Powers

(74) *Attorney, Agent, or Firm* — Brinks Gilson & Lione

(73) Assignee: **Royal Brush Manufacturing, Inc.**,
Munster, IN (US)

(57) **CLAIM**

The ornamental design for a handle, as shown and described.

(**) Term: **15 Years**

DESCRIPTION

(21) Appl. No.: **29/698,636**

(22) Filed: **Jul. 18, 2019**

(51) **LOC (13) Cl.** **04-02**

(52) **U.S. Cl.**
USPC **D4/138; D4/135**

(58) **Field of Classification Search**
USPC D4/114, 115, 116, 117, 118, 119, 120,
D4/121, 122, 123, 124, 125, 126, 127,
D4/128, 129, 130, 131, 132, 133, 134,
D4/135, 136, 137, 138, 199; D28/7;
D8/107; D7/401.2; D19/137, 907;
D24/152
CPC A46B 9/021
See application file for complete search history.

FIG. 1 is a front perspective view of a first embodiment of a handle;

FIG. 2 is a front elevation view thereof;

FIG. 3 is a bottom plan view thereof;

FIG. 4 is a magnified transverse section view thereof taken along line 4-4 shown in FIG. 2; and

FIG. 5 is a magnified transverse section view thereof taken along line 5-5 shown in FIG. 2.

FIG. 6 is a front perspective view of a second embodiment of a handle;

FIG. 7 is a front elevation view thereof;

FIG. 8 is a bottom plan view thereof;

FIG. 9 is a magnified transverse section view thereof taken along line 9-9 shown in FIG. 7; and

FIG. 10 is a magnified transverse section view thereof taken along line 10-10 shown in FIG. 7.

FIG. 11 is a front elevation view thereof;

FIG. 12 is a front plan view thereof;

FIG. 13 is a bottom plan view thereof;

FIG. 14 is a magnified transverse section view thereof taken along line 14-14 shown in FIG. 12; and,

FIG. 15 is a transverse section view thereof taken along line 15-15 shown in FIG. 12.

The broken lines in the figures show environmental structures that form no part of the claimed design.

Top views of the above-mentioned embodiments are not shown, and no claim is made thereto.

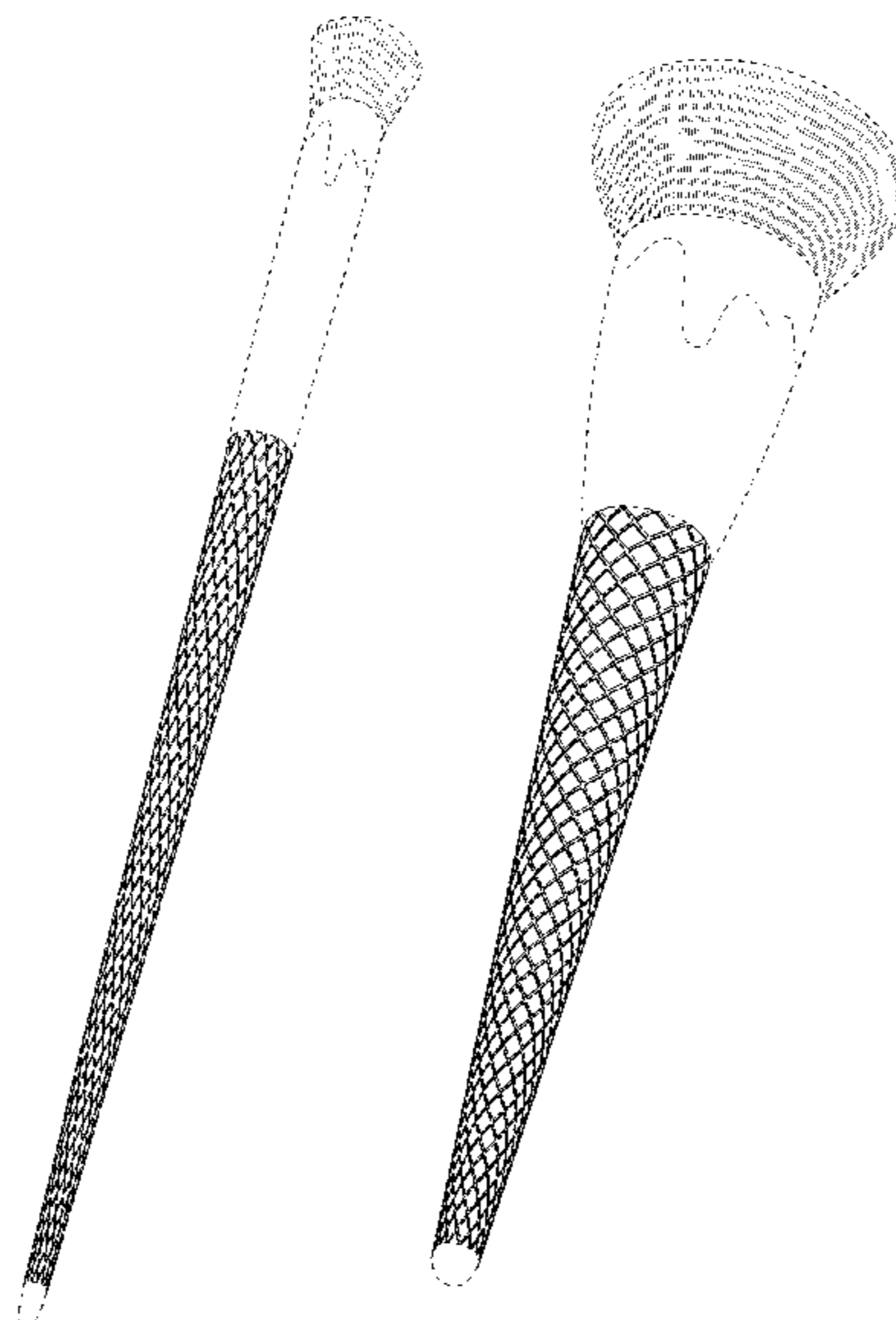
(56) **References Cited**

U.S. PATENT DOCUMENTS

D320,698 S * 10/1991 Reich D4/135
D404,647 S * 1/1999 Federighi D9/439
D416,577 S * 11/1999 Andrews D19/174
D422,024 S * 3/2000 Andrews D19/168
D427,877 S * 7/2000 Rowlay D8/107
D593,716 S * 6/2009 Strauss D30/156

(Continued)

1 Claim, 6 Drawing Sheets



(56)

References Cited

U.S. PATENT DOCUMENTS

D616,206 S * 5/2010 Junting D4/138
7,980,961 B2 * 7/2011 Huang B62K 21/26
473/300
D692,486 S * 10/2013 Casciotti D19/199
D775,839 S * 1/2017 Rennette D4/138
D813,005 S * 3/2018 Dovellos D8/303
D815,508 S * 4/2018 Dovellos D8/303
D821,760 S * 7/2018 Yan D4/138
10,051,942 B2 * 8/2018 Golding A46B 9/021
D827,310 S * 9/2018 Allenback D4/138
D834,833 S * 12/2018 Martensson D4/138
D876,101 S * 2/2020 Dovellos D4/127
D895,981 S * 9/2020 Rennette D4/138
D898,543 S * 10/2020 Sahaye D8/107
10,820,684 B2 * 11/2020 Guinness A46B 9/021

FOREIGN PATENT DOCUMENTS

CN 305778534 * 5/2020
EM 006530606-0001 * 6/2019
KR 301016145.0000 * 7/2019
WO WO-D095142-001 * 3/2017

* cited by examiner

FIG. 1

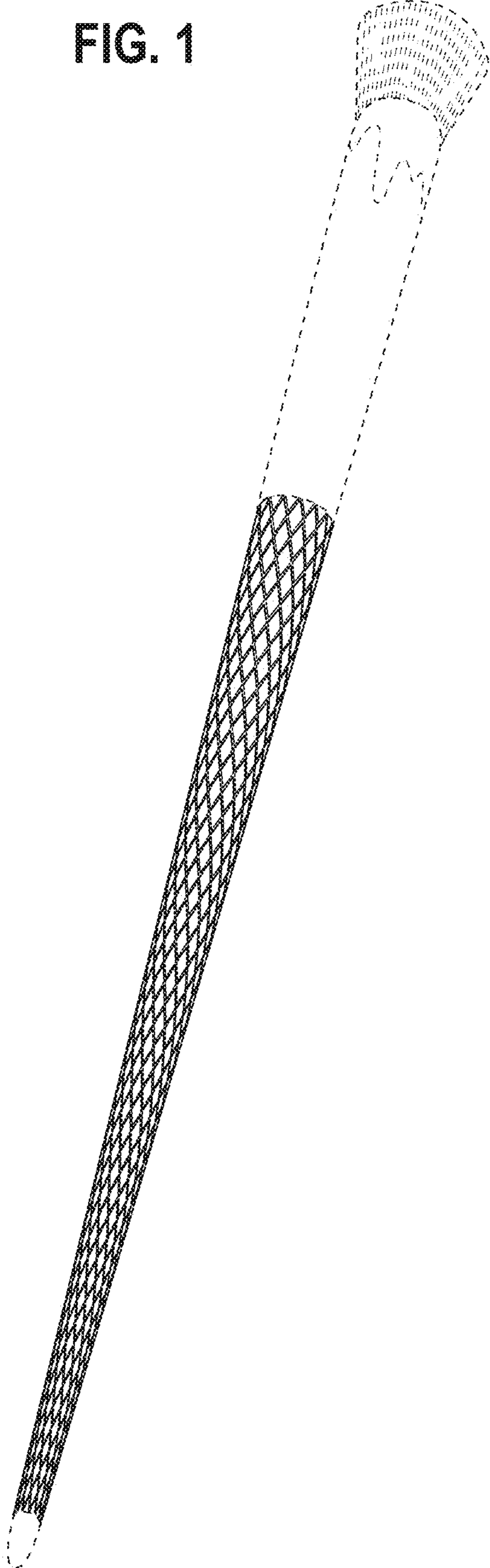


FIG. 2

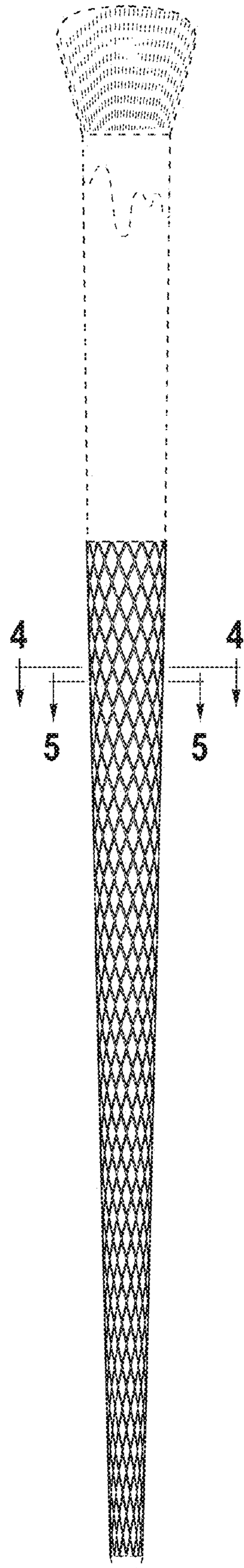


FIG. 3

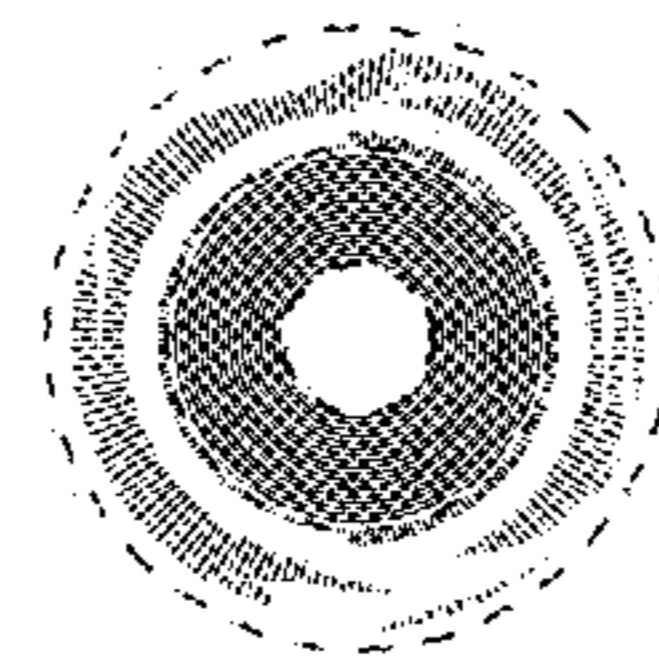


FIG. 4

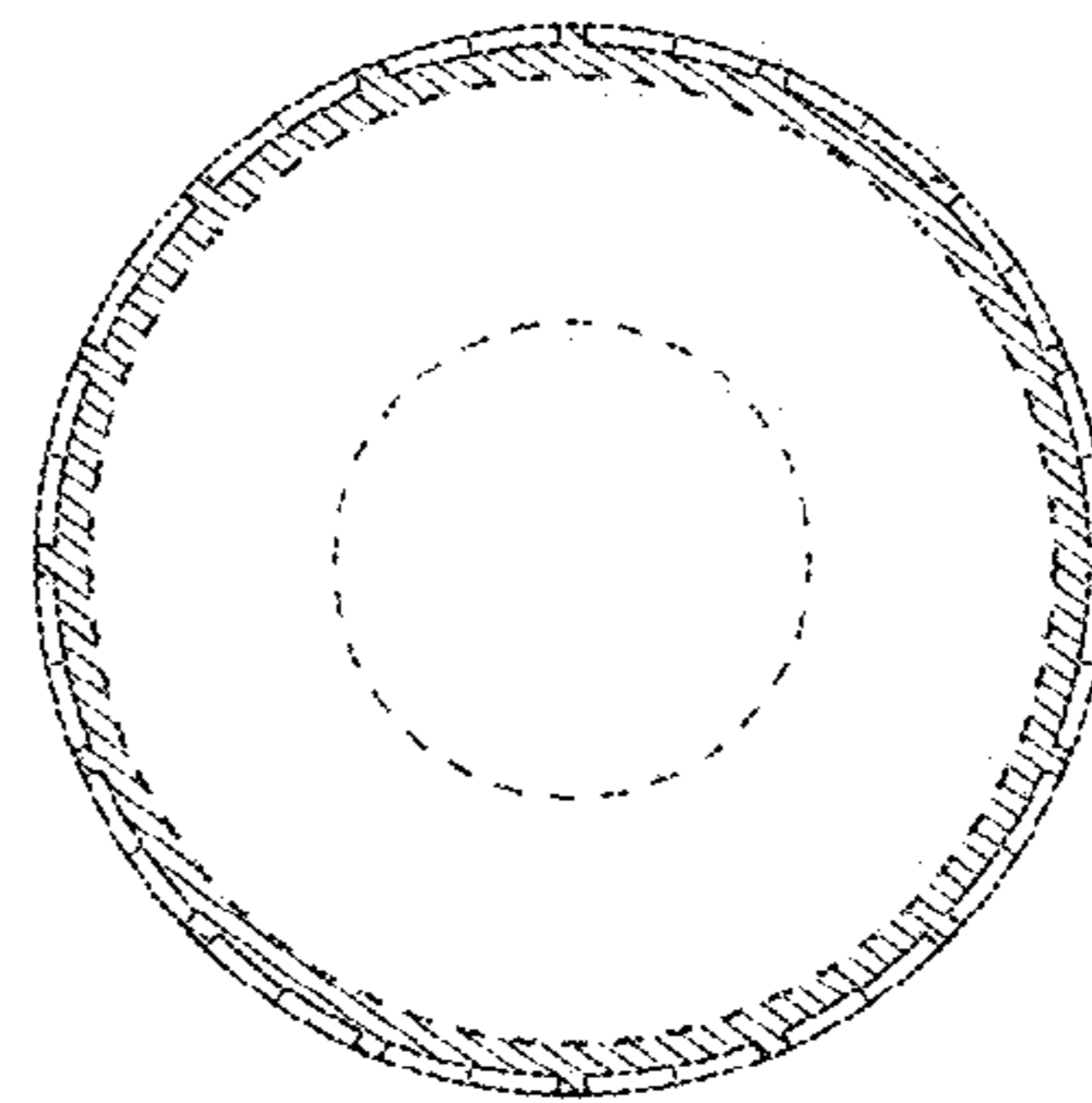


FIG. 5

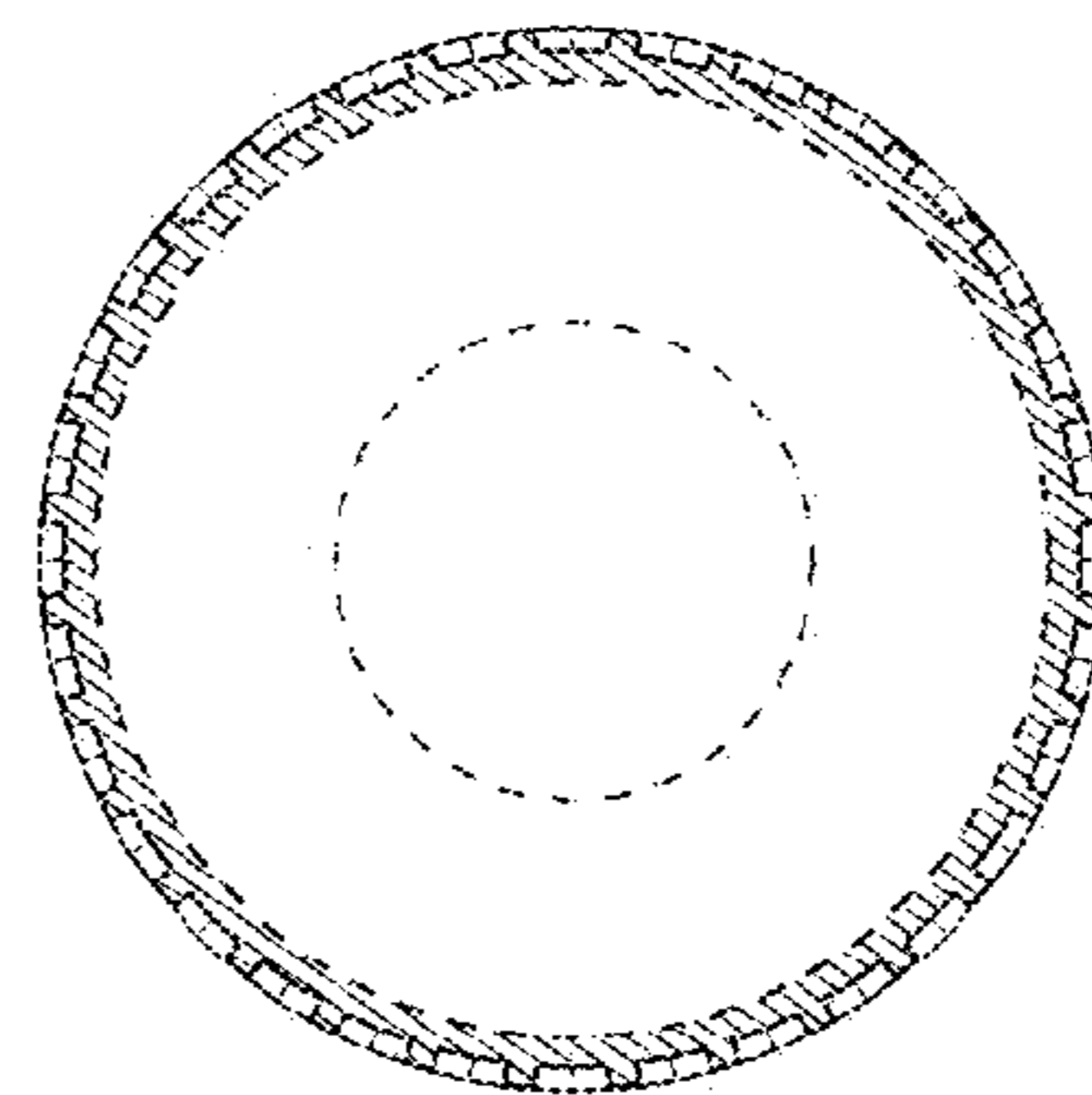


FIG. 6

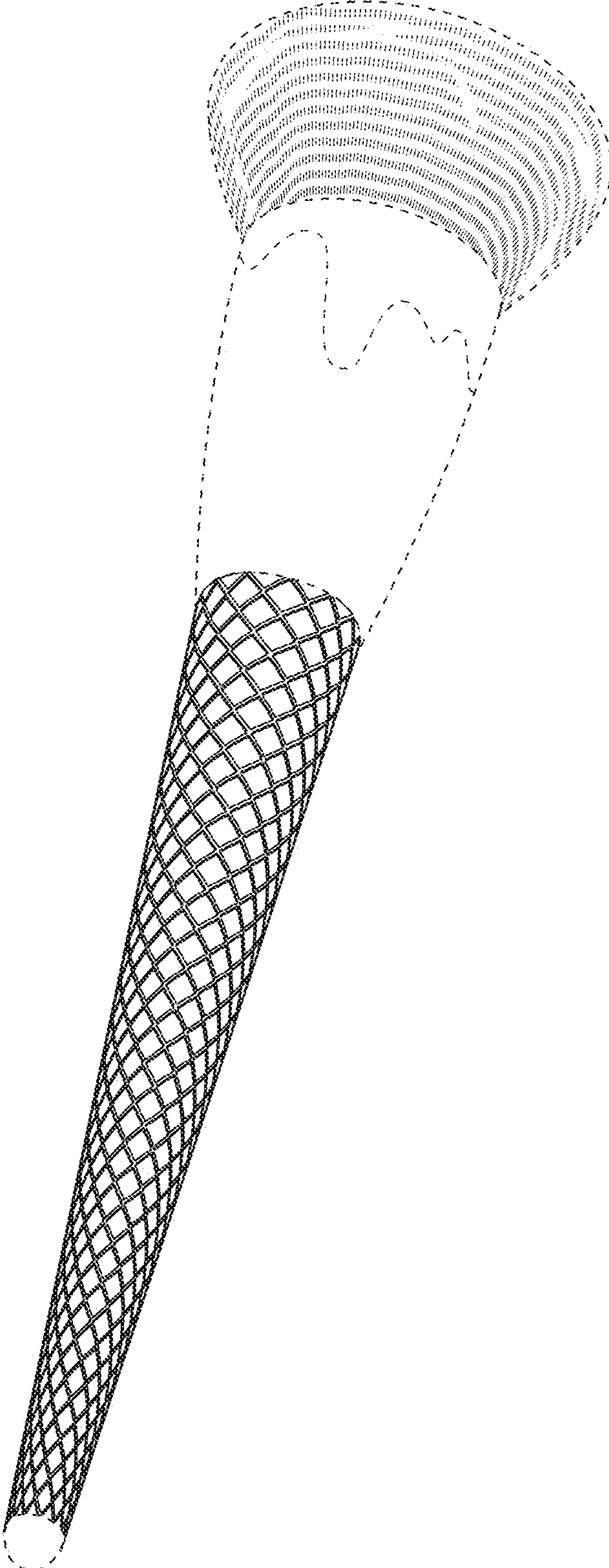


FIG. 7

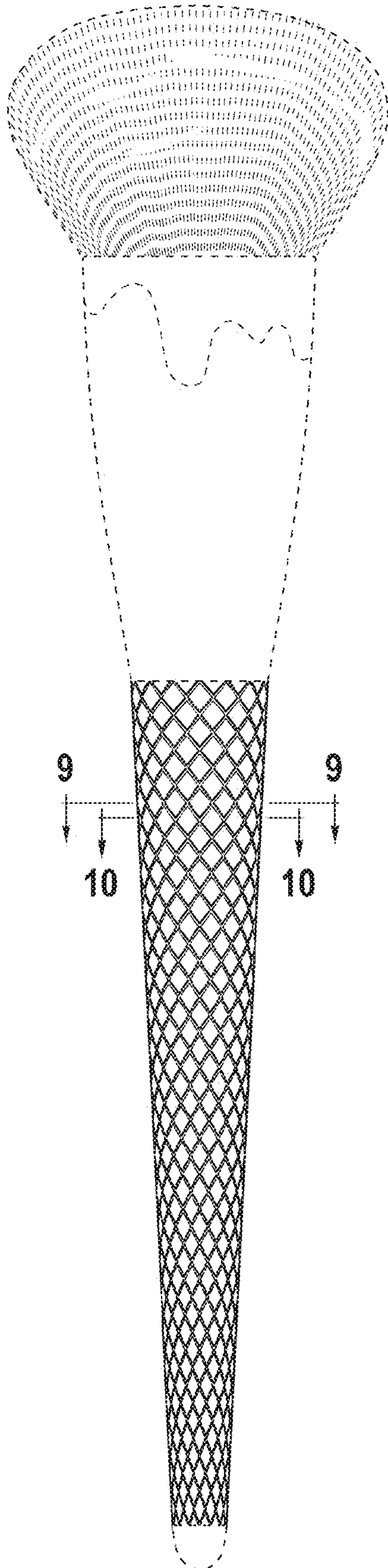


FIG. 8

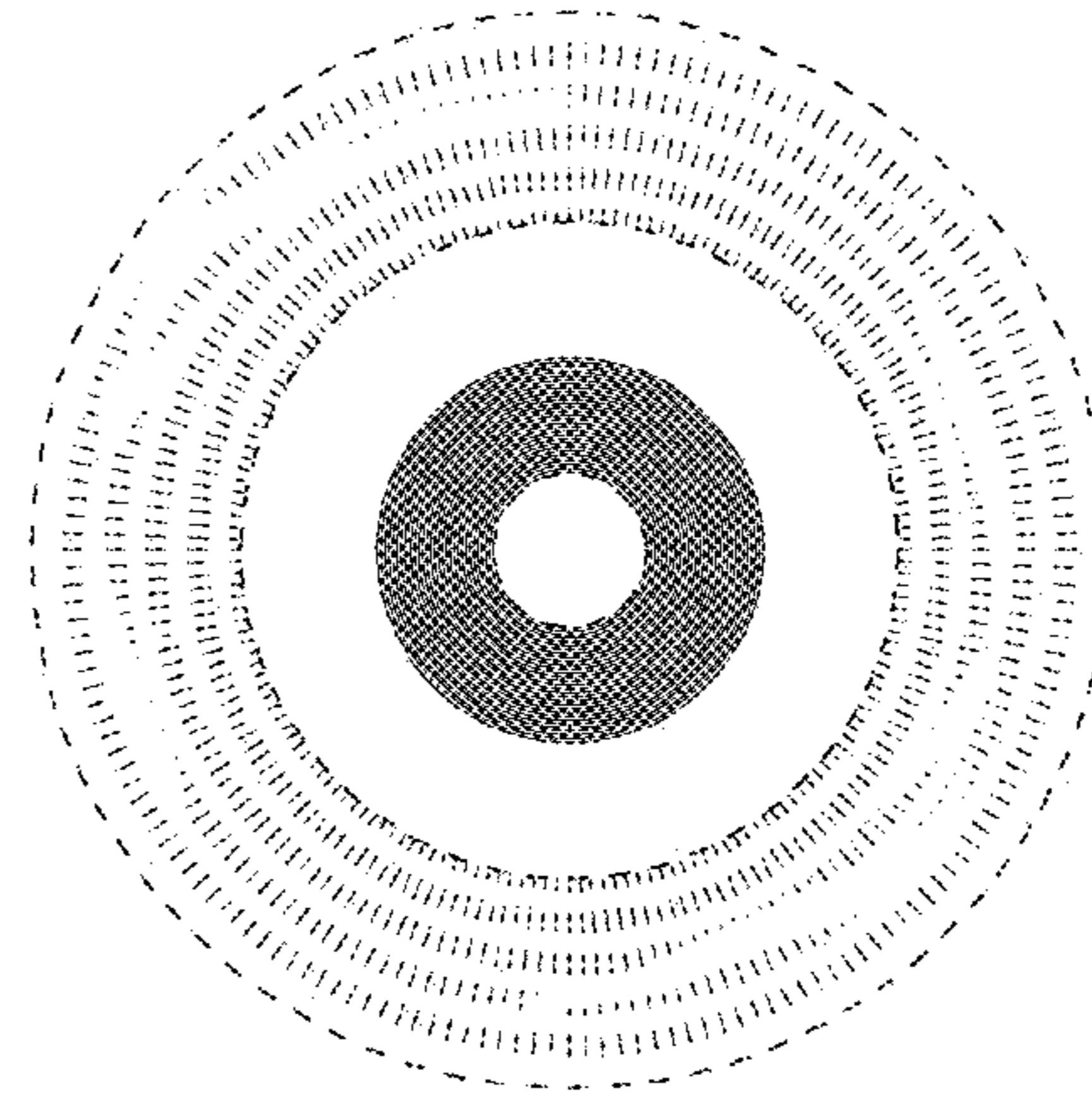


FIG. 9

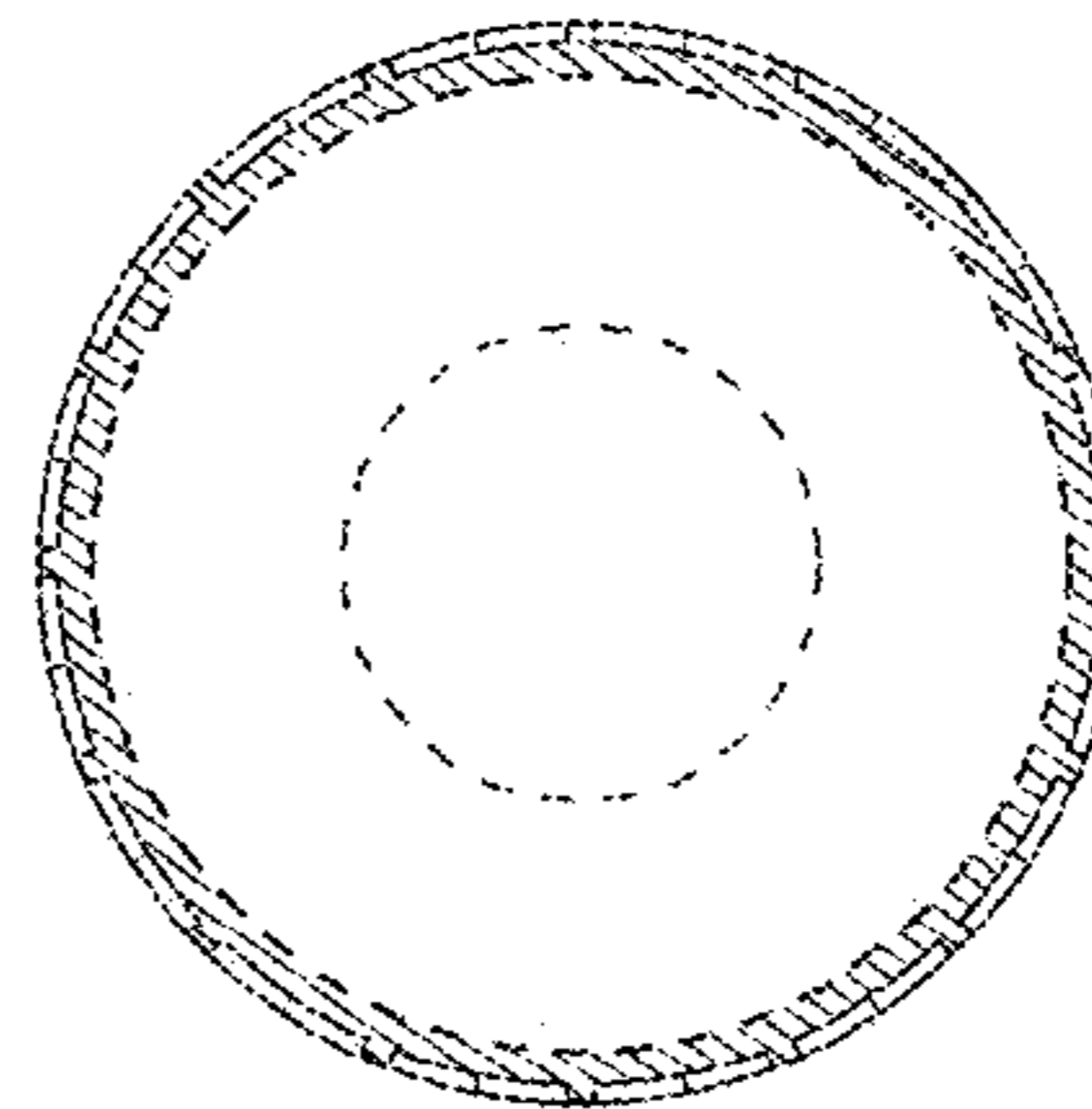


FIG. 10

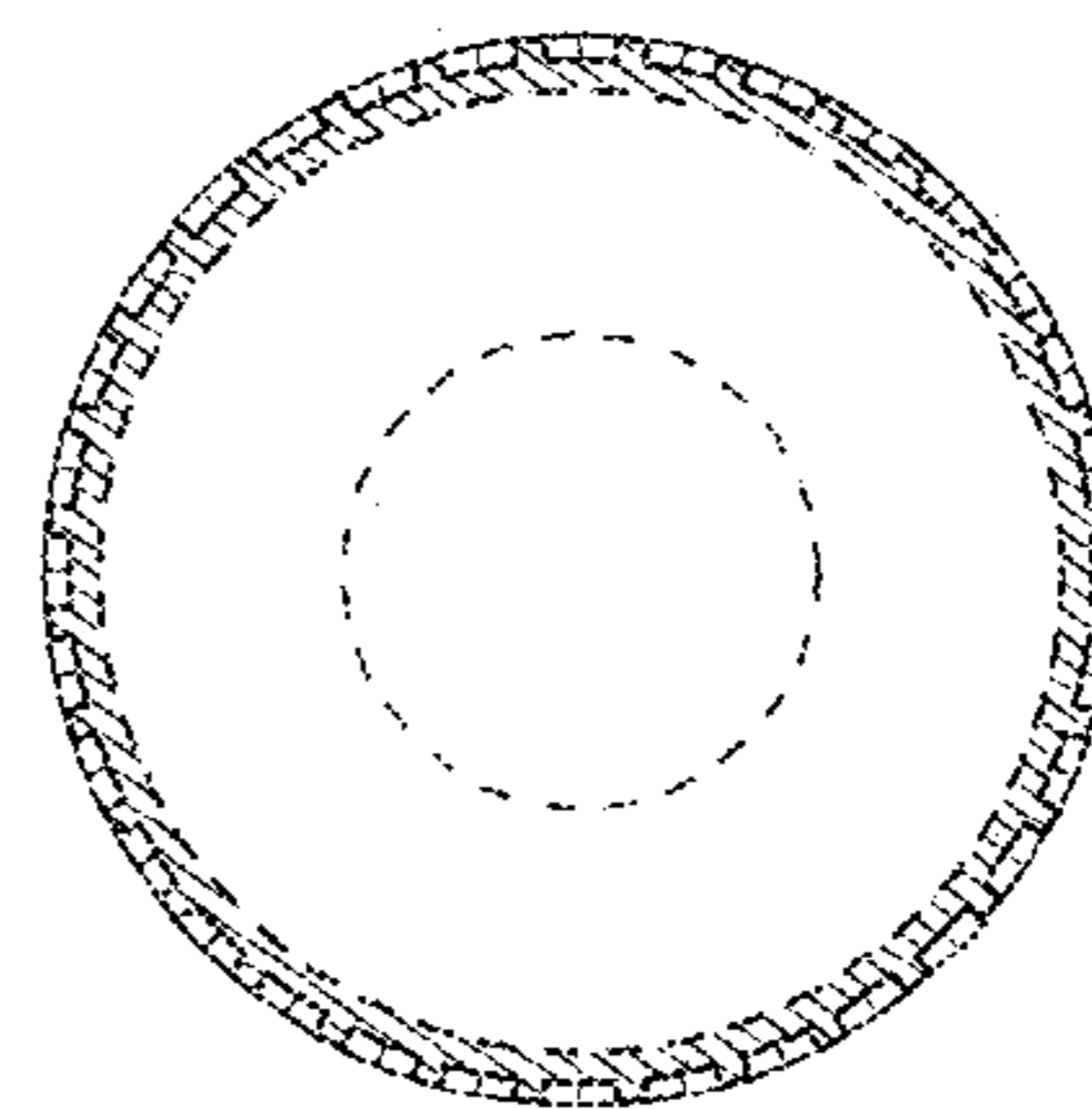


FIG. 11

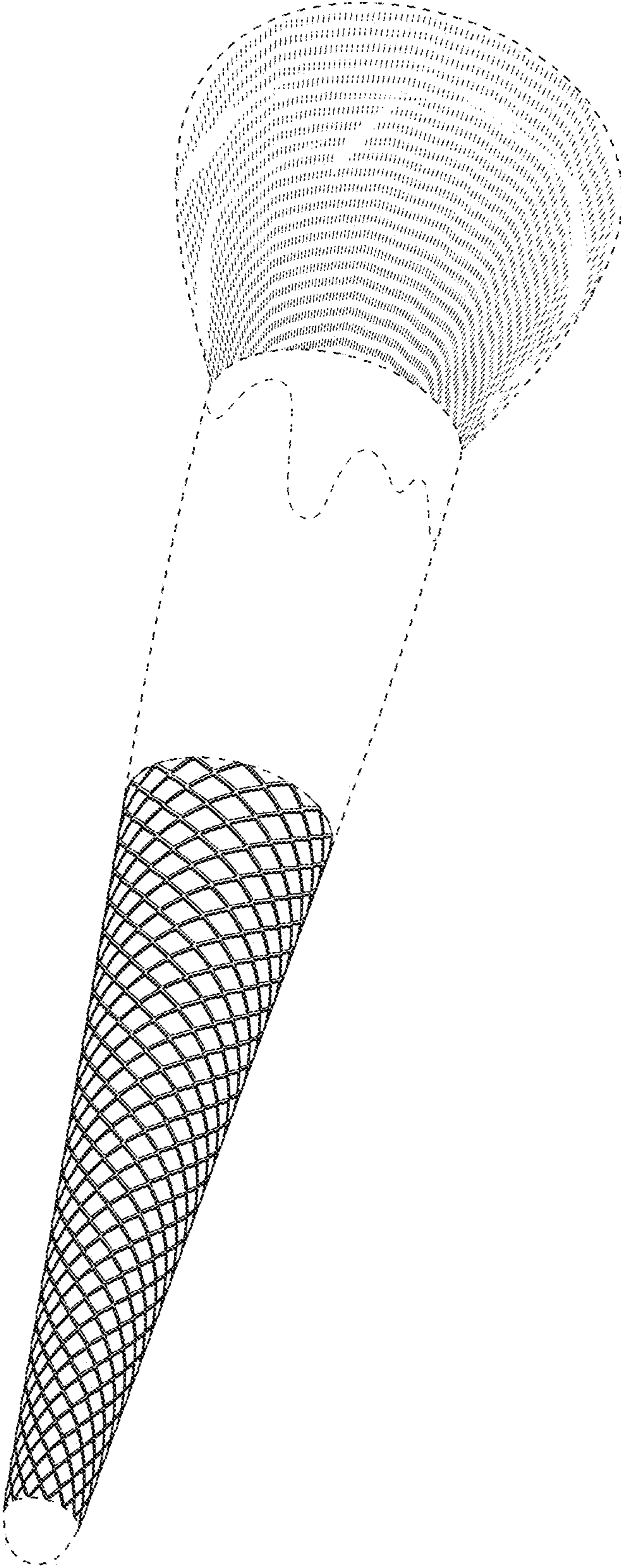


FIG. 12

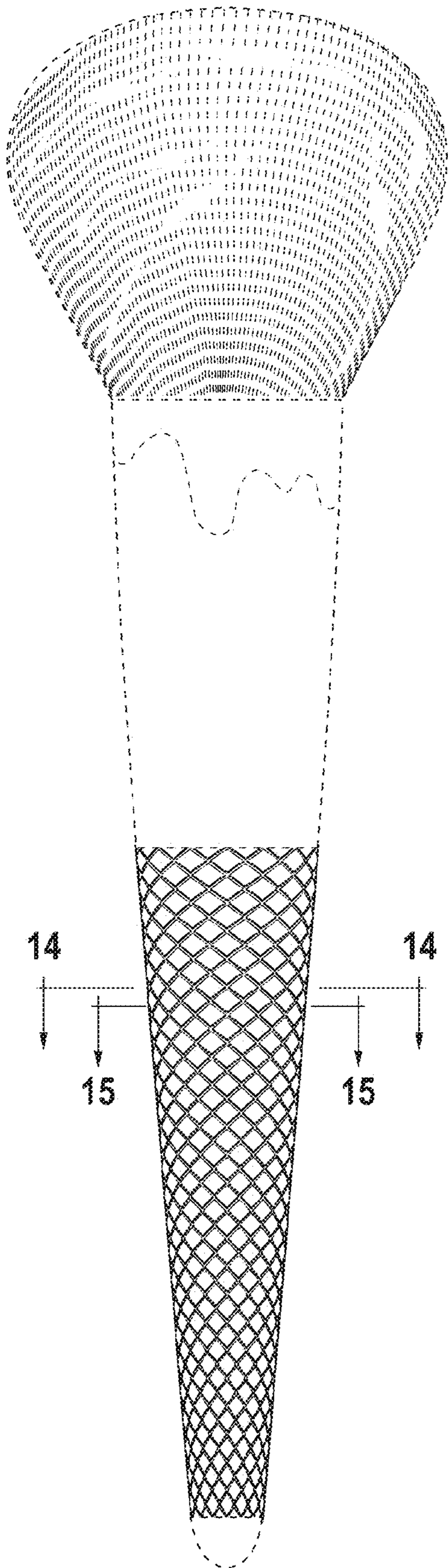


FIG. 13

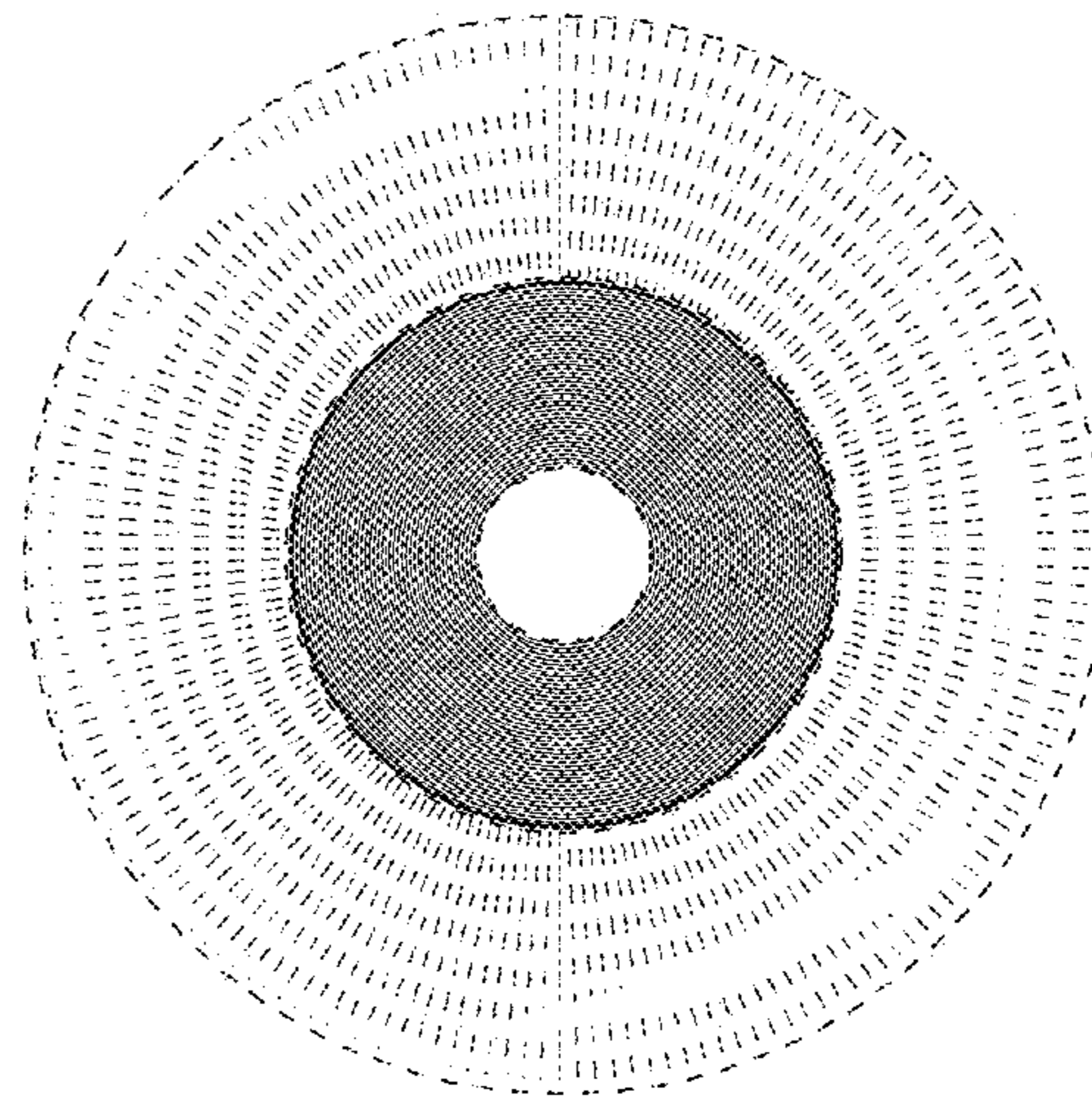


FIG. 14

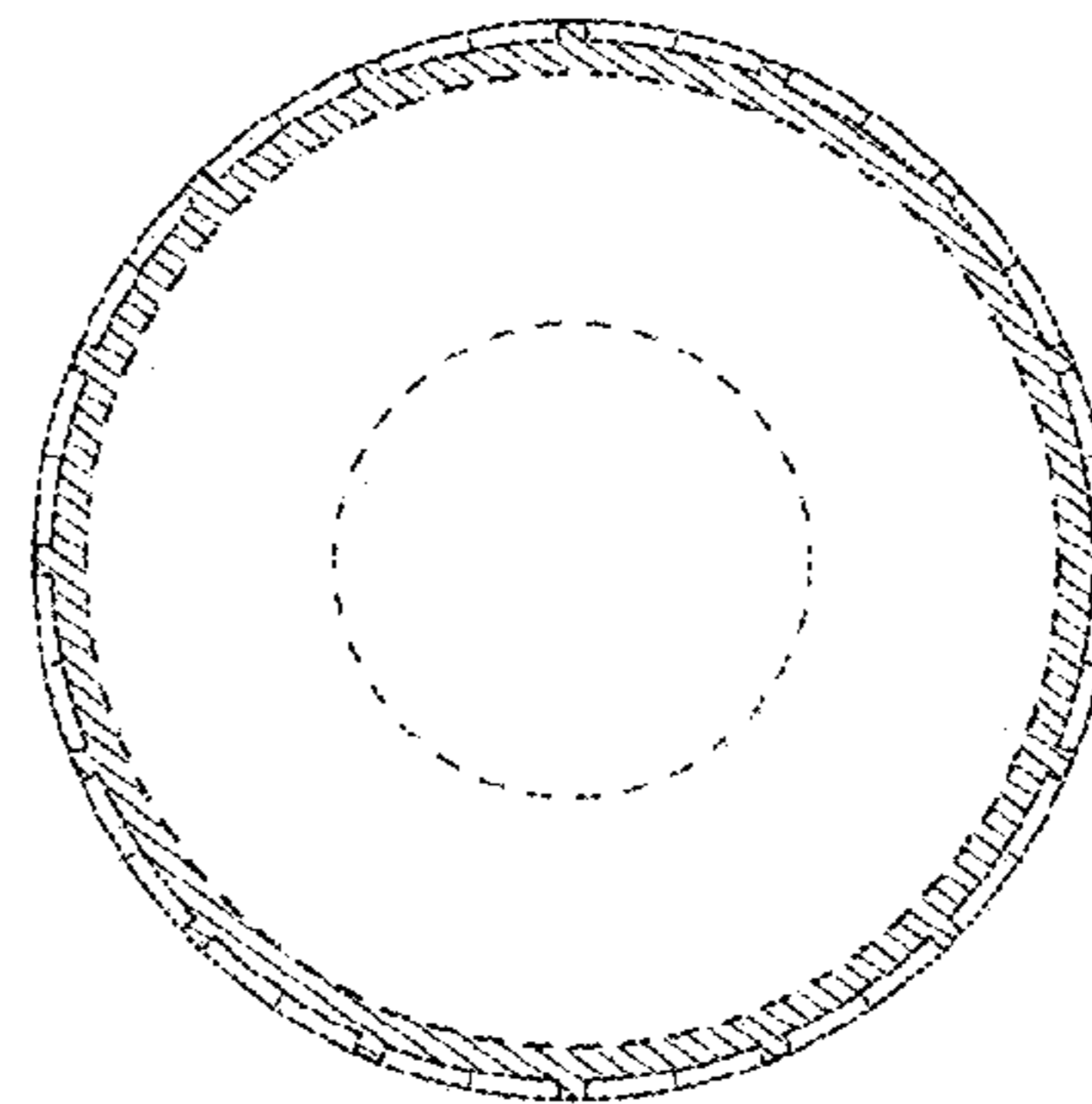


FIG. 15

