



US00D917175S

(12) **United States Design Patent** (10) **Patent No.:** **US D917,175 S**
Rimoshytus (45) **Date of Patent:** **** *Apr. 27, 2021**

(54) **FURNITURE BRUSH** 7,107,643 B1 * 9/2006 McKay A47L 25/005
15/104.002
(71) Applicant: **James Ryan Rimoshytus**, Warren, RI D845,004 S * 4/2019 Khubani D4/137
(US) D858,998 S * 9/2019 Zhang D4/122
2007/0193530 A1 * 8/2007 Deroo A01K 13/002
(72) Inventor: **James Ryan Rimoshytus**, Warren, RI 119/618
(US)

(*) Notice: This patent is subject to a terminal disclaimer.
(**) Term: **15 Years**

(21) Appl. No.: **29/671,440**
(22) Filed: **Nov. 27, 2018**
(51) **LOC (13) Cl.** **04-99**
(52) **U.S. Cl.**
USPC **D4/137**

(58) **Field of Classification Search**
USPC D4/101, 102, 105, 106, 109, 110, 11,
D4/112, 114, 117, 119, 128, 129, 130,
D4/131, 132, 133, 134, 135, 136, 137,
D4/138; D28/13, 19, 21, 22, 23, 24, 25,
D28/27, 28, 29, 30, 31, 32, 33, 34, 44,
D28/45, 49, 50, 51, 52, 53, 54, 63, 74
CPC A46B 17/04; A46B 5/026; A46B 5/02;
A46B 7/00; A46B 2200/10; A46B
2200/30; A46B 2200/1046; A46B
2200/3053; A47L 25/005; A47J 45/00;
A47J 45/061; A47J 45/07; A47J 45/071
See application file for complete search history.

(56) **References Cited**
U.S. PATENT DOCUMENTS
D133,008 S * 7/1942 McCall D19/73
3,040,352 A * 6/1962 Vian A47L 25/005
15/104.002
4,639,965 A * 2/1987 Suzuki A47L 25/08
15/104.002

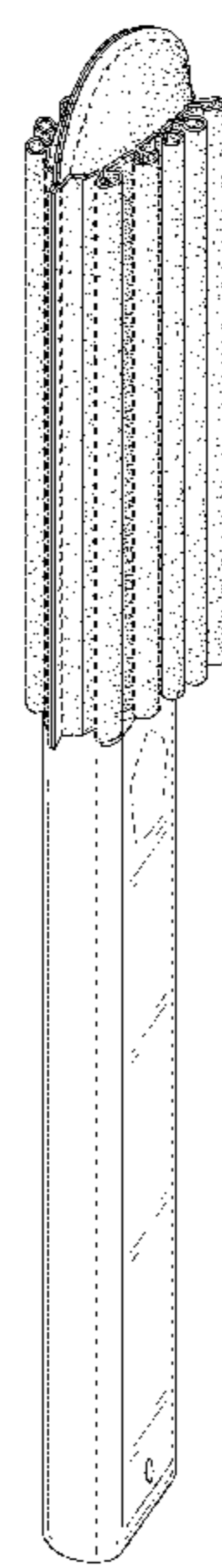
OTHER PUBLICATIONS
Furniture Brush, announced 2020 [online], [site visited Mar. 27, 2020]. Available from internet, URL: <https://furrfighters.com/products/furrfighters-furniture-brush> (Year: 2020).*
(Continued)

Primary Examiner — George A Bugg
Assistant Examiner — Tamara L Hahn
(74) *Attorney, Agent, or Firm* — Adler Pollock & Sheehan P.C.

(57) **CLAIM**
The ornamental design for a furniture brush, as shown and described.

DESCRIPTION
FIG. 1 is a front left side perspective view of a furniture brush, with the handle at the bottom of the Figure.
FIG. 2 is a front view thereof, with the handle at the bottom of the Figure.
FIG. 3 is a back view thereof, with the handle at the bottom of the Figure.
FIG. 4 is a right side view thereof, with the handle at the bottom of the Figure.
FIG. 5 is a left side view thereof;
FIG. 6 is a top view thereof; and,
FIG. 7 is a bottom view thereof.
The broken lines in the drawings depict portions of the furniture brush that form no part of the claimed design.

1 Claim, 4 Drawing Sheets



(56)

References Cited

OTHER PUBLICATIONS

Lint Remover, announced 2020 [online], [site visited Mar. 27, 2020]. Available from internet, URL: https://iheartcats.com/product/fur-eraser-miracle-self-cleaning-hair-lint-remover-set/?gclid=EAlalQobChMI0dWUzv6w6AIVRuDICh257QSzEAKYDiABEgJNhPD_BwE (Year: 2020).*

Furlifter, 2020 [online], [site visited Mar. 27, 2020]. Avail from internet https://www.oxo.com/categories/cleaning-organization/furlifter-furniture-brush.html?atrkid=V3ADW4C21112D_67659816417_pla-654414845944_345709119778_u_c___&gclid=EAlalQobChMlzovD7P6w6w6AIVkZ-fluQQSCEAKYBiABEgJ-R_D_BwE (Year: 2019).*

* cited by examiner

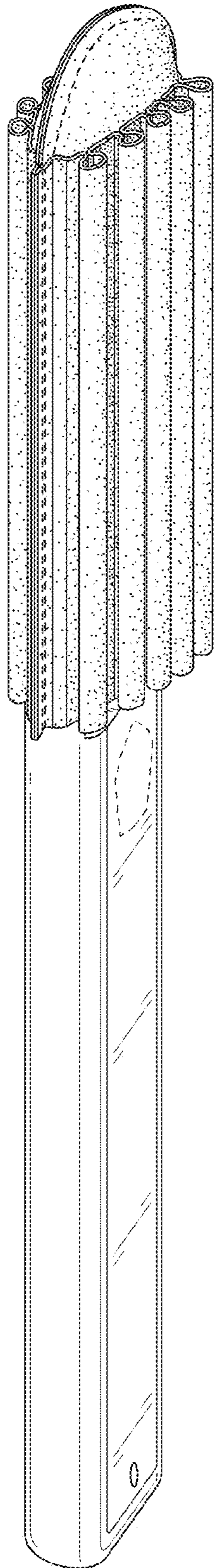


FIG. 1

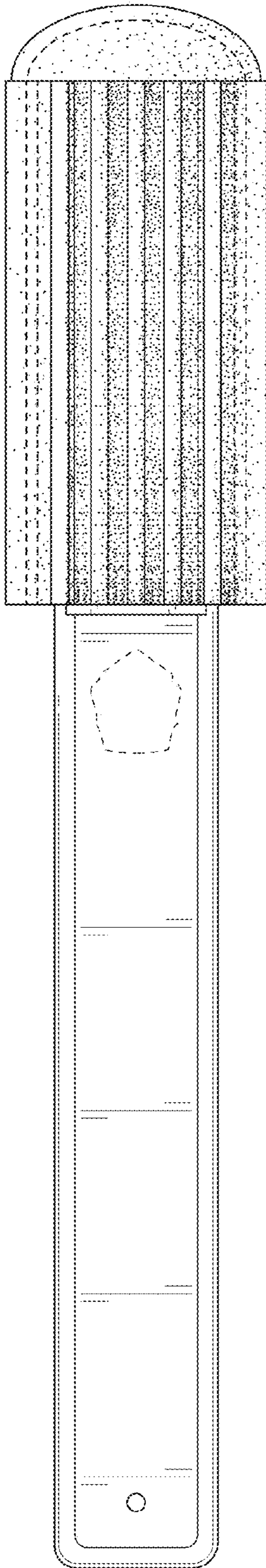


FIG. 2

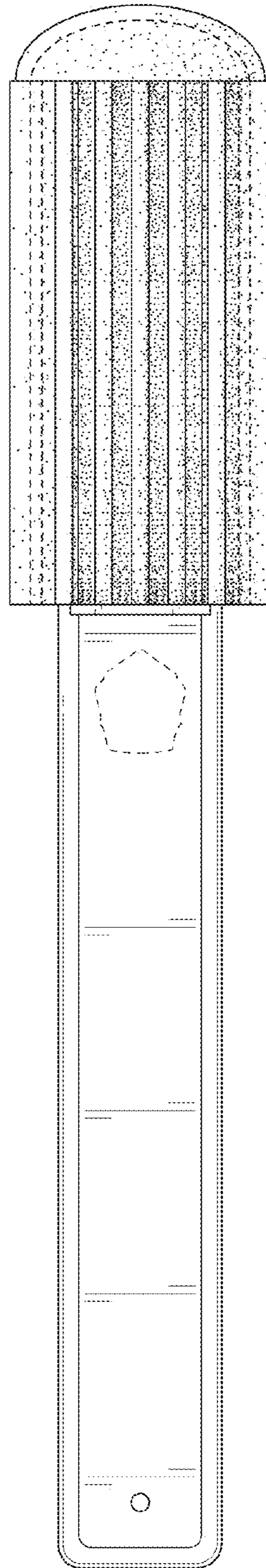


FIG. 3

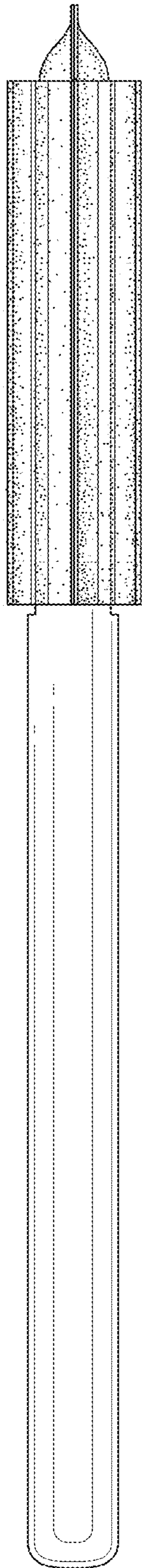


FIG. 4

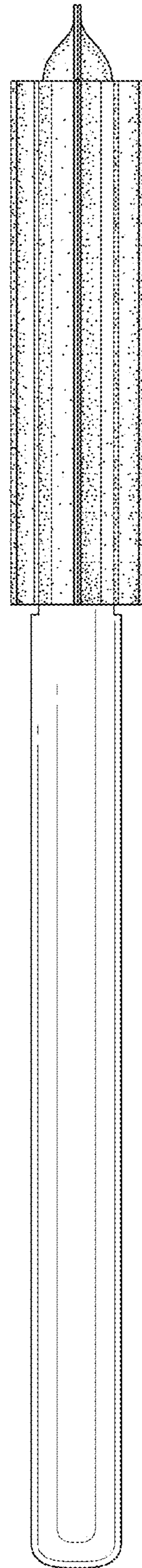


FIG. 5

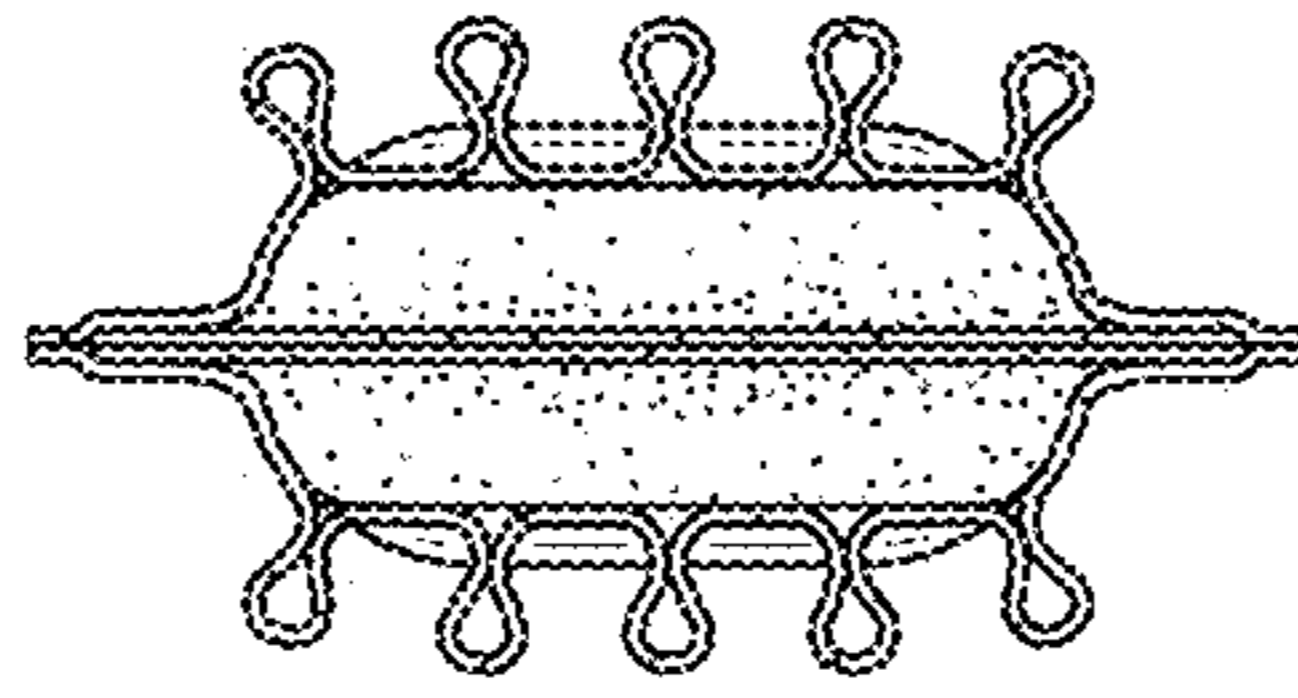


FIG. 6

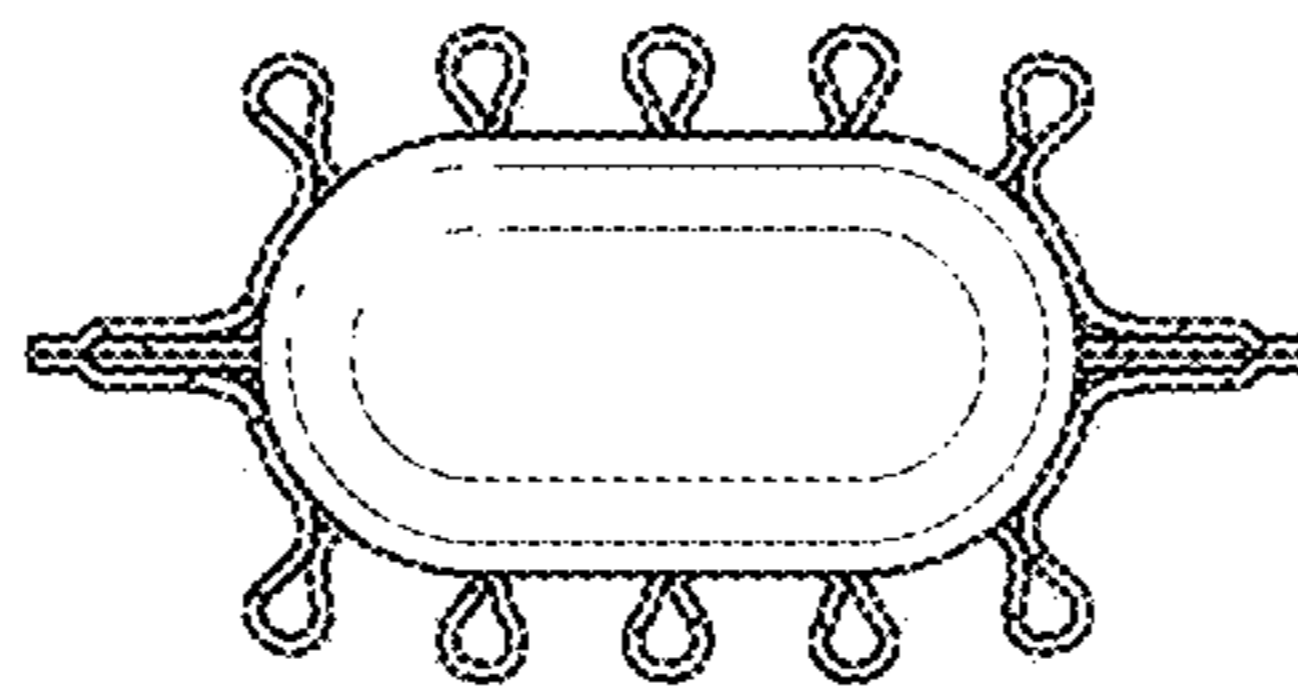


FIG. 7