



US00D917174S

(12) **United States Design Patent**
Clark

(10) **Patent No.:** **US D917,174 S**

(45) **Date of Patent:** **** Apr. 27, 2021**

- (54) **TOOTHBRUSH**
- (71) Applicant: **Anthony Christian Clark**, St. Louis, MO (US)
- (72) Inventor: **Anthony Christian Clark**, St. Louis, MO (US)
- (73) Assignee: **Anthony Christian Clark**, St. Louis, MO (US)
- (**) Term: **15 Years**
- (21) Appl. No.: **29/688,179**
- (22) Filed: **Apr. 18, 2019**
- (51) **LOC (13) Cl.** **04-02**
- (52) **U.S. Cl.**
USPC **D4/104**
- (58) **Field of Classification Search**
USPC D4/100, 101, 102, 104, 105, 106, 107, D4/108, 109, 110, 111, 112, 113, 114, D4/115, 116, 119, 130, 132, 133, 134, D4/136, 137, 138, 199
CPC ... A46B 2200/1066; A46B 5/02; A61C 17/16; A61C 17/22
See application file for complete search history.

- 5,114,214 A * 5/1992 Barman A46B 5/0025 300/21
 - 5,305,490 A 4/1994 Lundgren
 - D353,051 S * 12/1994 Lonon D4/108
 - 5,673,454 A 10/1997 Quintanilla et al.
 - 5,842,249 A * 12/1998 Sato B29C 45/0001 15/167.2
 - 5,970,562 A * 10/1999 Lalevee, Sr. A46B 15/00 15/167.1
 - 6,070,286 A 6/2000 Cardarelli
 - D508,608 S * 8/2005 Huff D32/45
 - 7,036,180 B2 5/2006 Hanlon
 - D546,697 S * 7/2007 Schnipper D9/529
 - 7,434,288 B2 * 10/2008 Gavney, Jr. A46B 9/04 15/110
 - D760,451 S * 6/2016 Harvey D30/160
- (Continued)

FOREIGN PATENT DOCUMENTS

- EP 611282 B1 8/1999
- Primary Examiner* — Karen E Eldridge Powers
- (74) *Attorney, Agent, or Firm* — Shook, Hardy & Bacon L.L.P.

(57) **CLAIM**

The ornamental design for a toothbrush, as shown and described.

DESCRIPTION

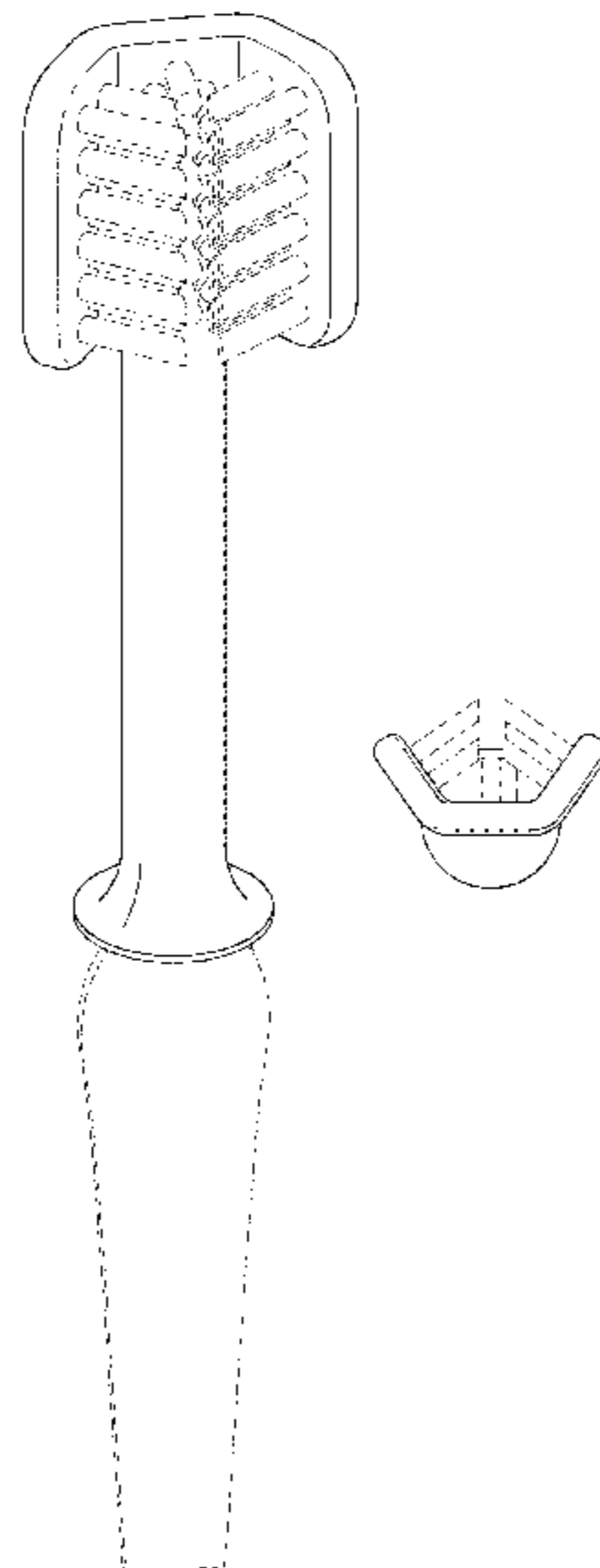
FIG. 1 is a perspective view of the toothbrush showing my new design according to an embodiment hereof;
 FIG. 2 is a front elevation view thereof;
 FIG. 3 is a rear elevation view thereof;
 FIG. 4 is a right side elevation view thereof;
 FIG. 5 is a left side elevation view thereof;
 FIG. 6 is a top plan view thereof; and,
 FIG. 7 is a bottom plan view thereof.
 The broken lines are directed to environment and form no part of the claimed design.

1 Claim, 3 Drawing Sheets

(56) **References Cited**

U.S. PATENT DOCUMENTS

- D137,249 S * 2/1944 Groff D4/108
- D139,381 S * 11/1944 Harris D9/504
- 2,771,624 A * 11/1956 Ripper A46B 9/045 15/167.2
- 2,807,820 A * 10/1957 Dinhofer A46B 7/044 15/176.1
- D189,374 S * 11/1960 Harris D9/504
- D189,393 S * 12/1960 Schlumbohm D7/300.1
- 3,302,813 A * 2/1967 Schaich B29C 66/1122 220/4.21
- 3,755,848 A 9/1973 Mutrie
- D289,583 S * 5/1987 Chan D4/104



(56)

References Cited

U.S. PATENT DOCUMENTS

D762,920 S *	8/2016	Reile	D28/39
D885,061 S *	5/2020	Yang	D4/101
D887,719 S *	6/2020	Kuang	D4/101
2004/0139569 A1 *	7/2004	Chen	A46B 15/0085
			15/143.1
2013/0067670 A1 *	3/2013	Liangco	A46B 9/06
			15/167.2

* cited by examiner

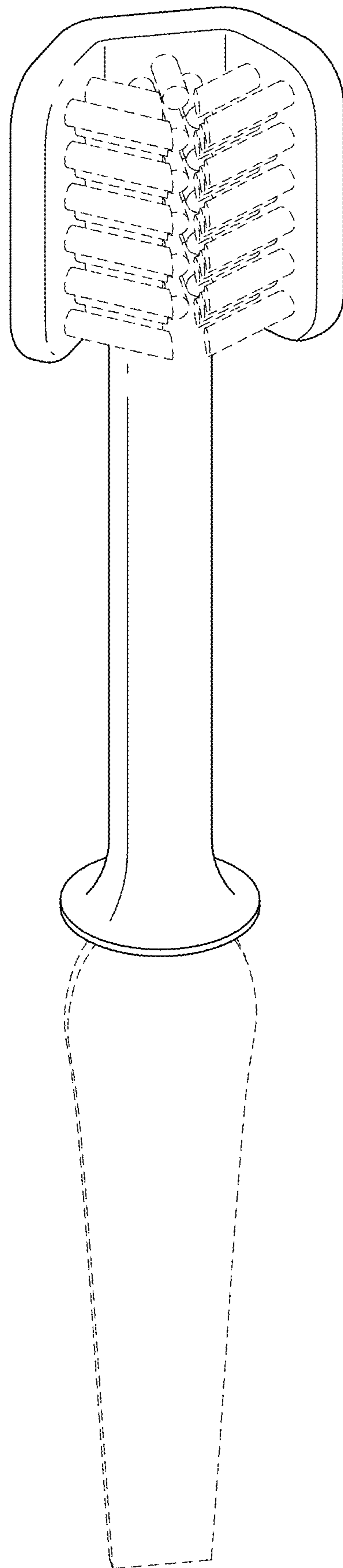


FIG. 1

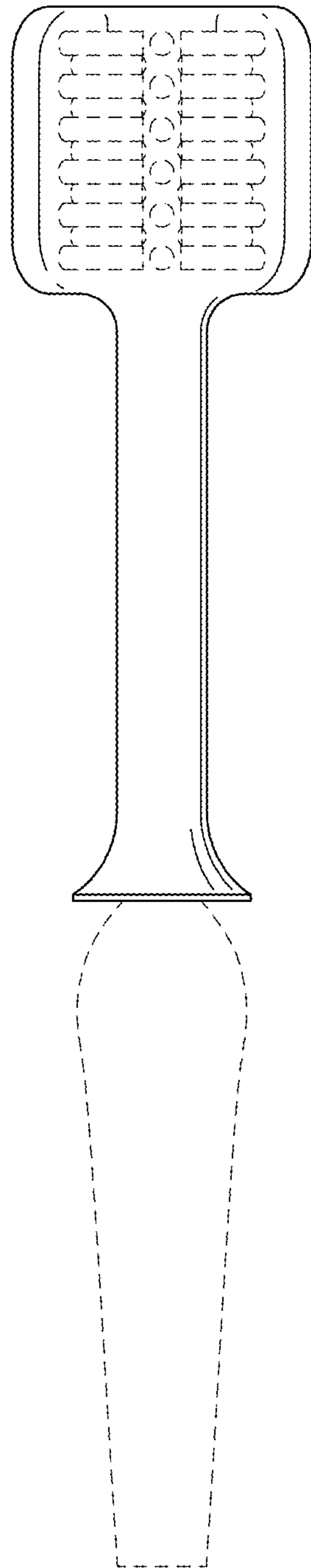


FIG. 2

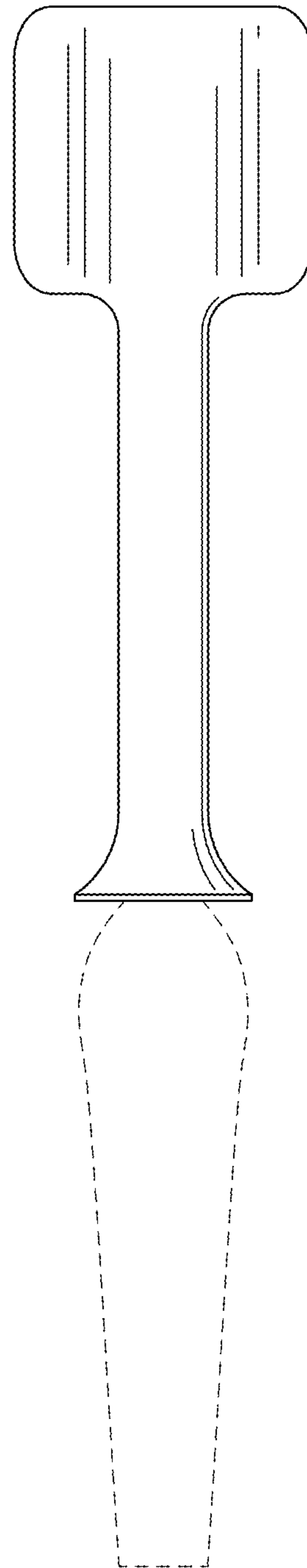


FIG. 3

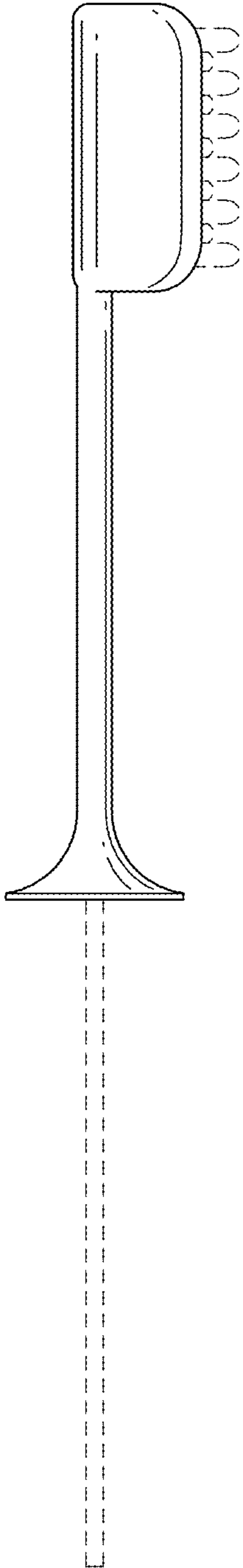


FIG. 4

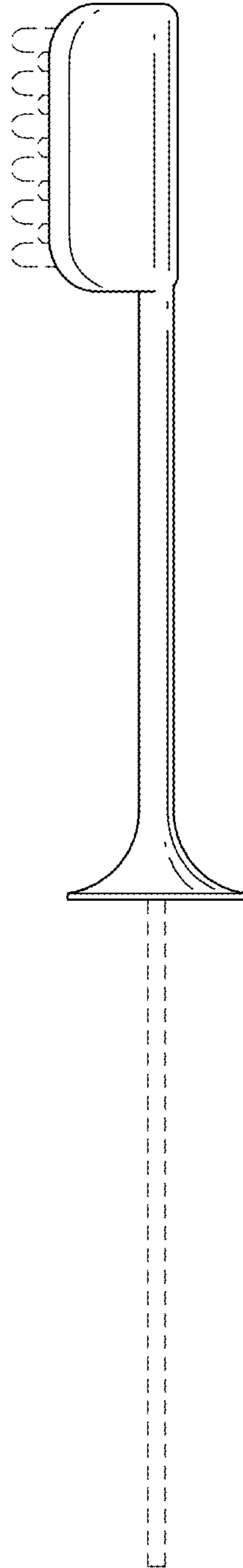


FIG. 5

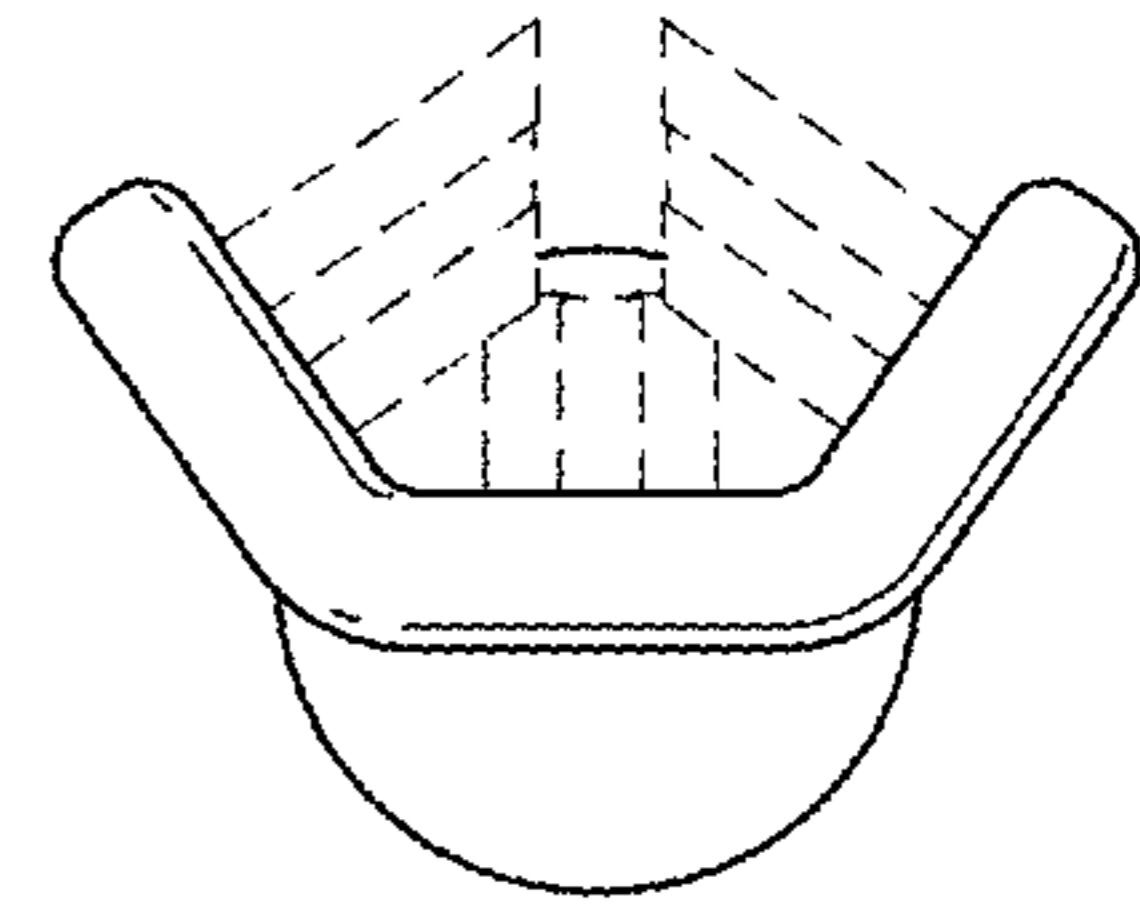


FIG. 6

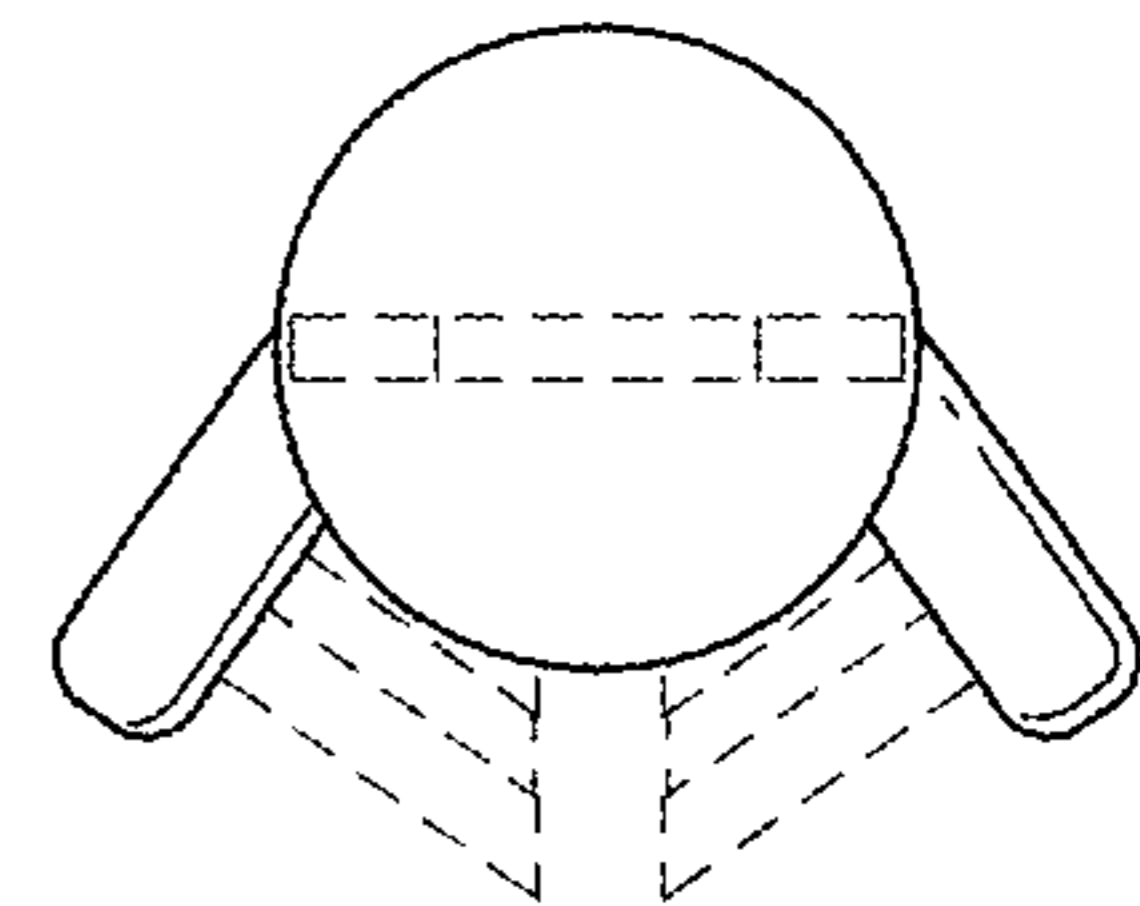


FIG. 7