



US00D917173S

(12) **United States Design Patent** (10) **Patent No.:** **US D917,173 S**
Li (45) **Date of Patent:** **** Apr. 27, 2021**

(54) **HOT AIR BRUSH**

(71) Applicant: **Qiuming Li**, Guangdong (CN)

(72) Inventor: **Qiuming Li**, Guangdong (CN)

(**) Term: **15 Years**

(21) Appl. No.: **29/720,019**

(22) Filed: **Jan. 9, 2020**

(30) **Foreign Application Priority Data**

Jul. 10, 2019 (CN) 201930365142.1

(51) **LOC (13) Cl.** **28-03**

(52) **U.S. Cl.**
USPC **D4/100; D28/35**

(58) **Field of Classification Search**
USPC D4/100, 102, 127, 128, 130, 132, 133,
D4/134, 135, 136, 137, 138, 199;
D28/10, 13, 25, 26, 28, 35
CPC A45D 20/00; A45D 20/08; A45D 20/50;
A45D 20/52
See application file for complete search history.

(56) **References Cited**

U.S. PATENT DOCUMENTS

D269,298 S *	6/1983	Oberheim	D28/26
D386,816 S *	11/1997	Seifert	D28/18
6,423,942 B1 *	7/2002	Liao	A45D 1/04
				132/229
D648,893 S *	11/2011	Kaizuka	D28/35
D650,942 S *	12/2011	Choi	D28/35
D670,027 S *	10/2012	Choi	D28/35
9,808,067 B2 *	11/2017	Sutter	A45D 20/10
D852,416 S *	6/2019	Coulton	D28/18
D853,637 S *	7/2019	Coulton	D28/18
D853,639 S *	7/2019	Tappenden	D28/18
D884,967 S *	5/2020	Peng	D28/35
D890,425 S *	7/2020	Liao	D28/13
D897,038 S *	9/2020	Qin	D28/35

FOREIGN PATENT DOCUMENTS

CN	305769312	*	8/2020
KR	301061196.0000	*	6/2020

OTHER PUBLICATIONS

Screen shots taken from a video review of the Remington Curl & Straight Confidence Rotating Hot Air Styler by cosmopolitanuk [on-line]. [Published Jun. 26, 2020.] [Retrieved from the Internet Sep. 27, 2020.] URL: >https://www.youtube.com/watch?v=ruM0G2y_2Zg< (Year: 2020).*

* cited by examiner

Primary Examiner — Karen E Eldridge Powers

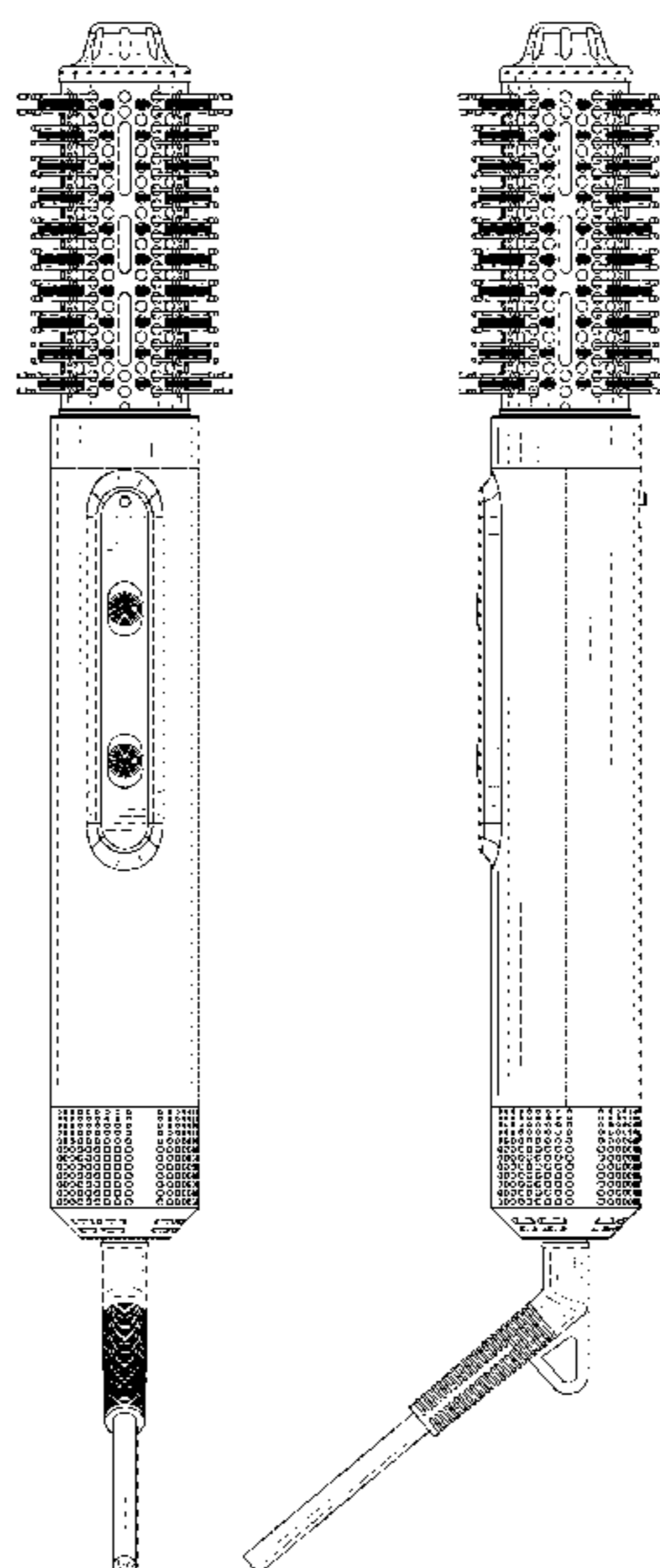
(57) **CLAIM**

The ornamental design for a hot air brush, as shown and described.

DESCRIPTION

FIG. 1 is a front elevational view of a hot air brush showing my new design;
FIG. 2 is a rear elevational view thereof;
FIG. 3 is a left side view thereof;
FIG. 4 is a right side view thereof;
FIG. 5 is a top plan view thereof;
FIG. 6 is a bottom plan view thereof; and
FIG. 7 is a perspective view thereof.
FIG. 8 is an enlarged detail view taken from FIG. 1, for clarity of illustration;
FIG. 9 is a second detail view taken from FIG. 1 thereof; and,
FIG. 10 is an enlarged detail view taken from FIG. 4.
The broken lines shown in FIGS. 8-10 illustrate the bounds of the enlarged detail views, and form no part of the claimed design.

1 Claim, 9 Drawing Sheets



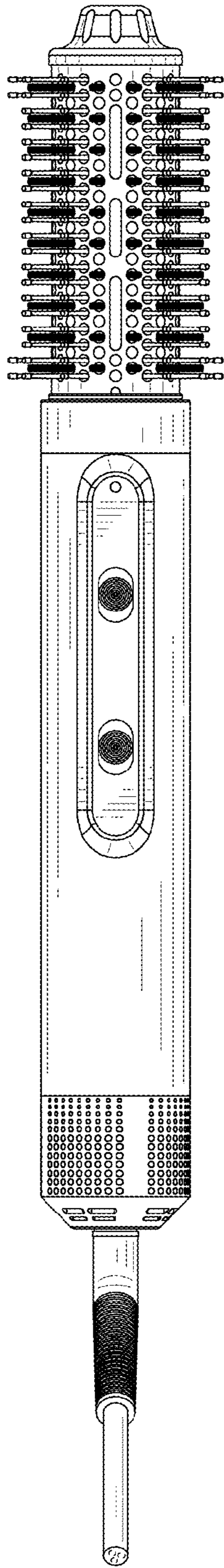


FIG. 1

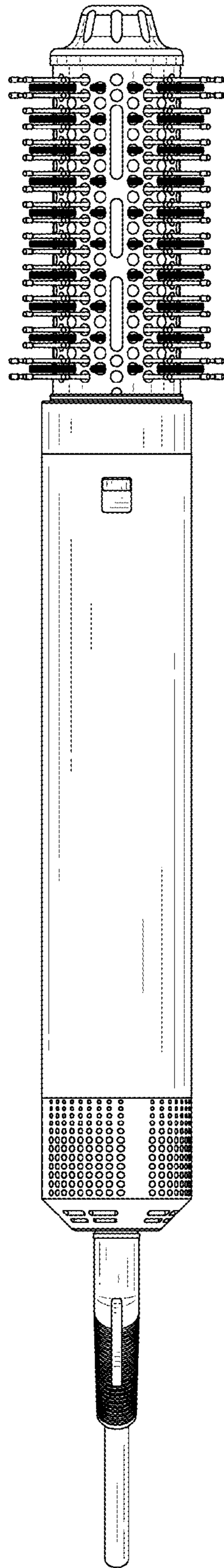


FIG. 2

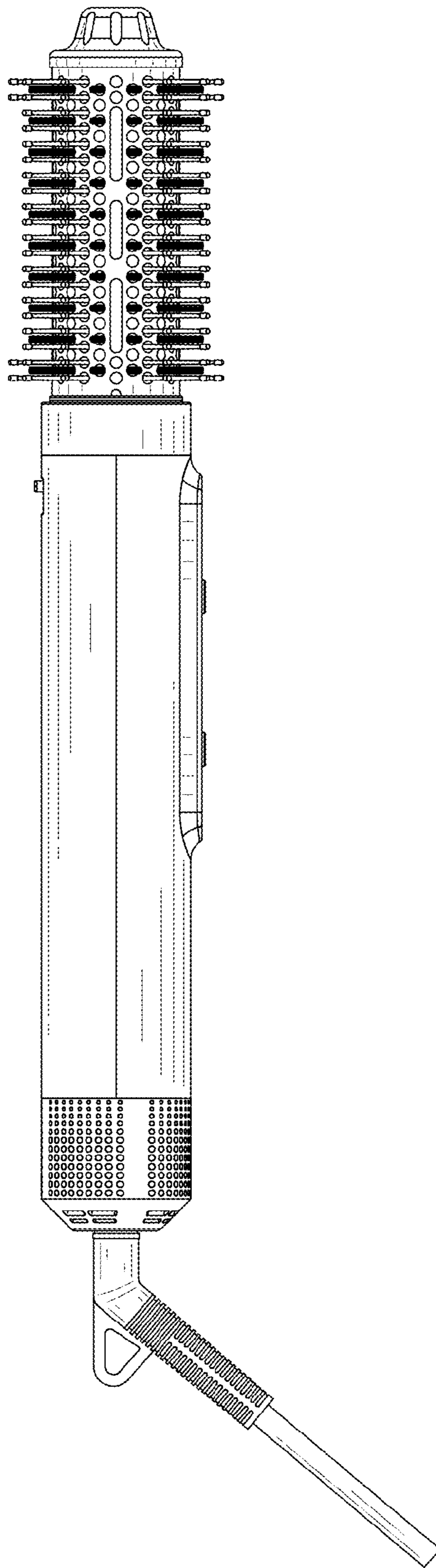


FIG. 3

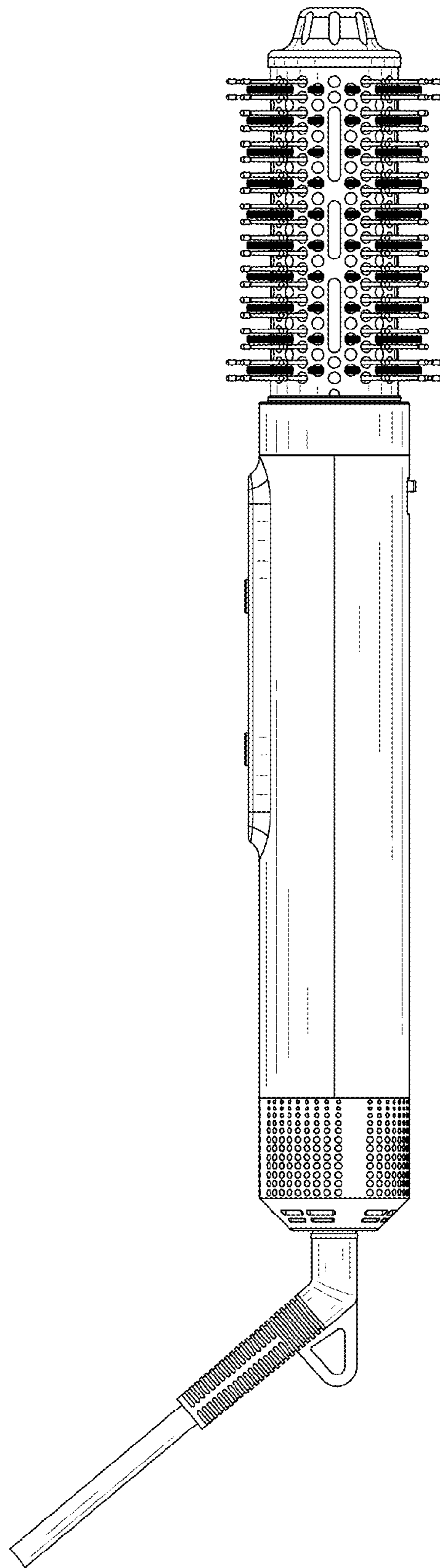


FIG. 4

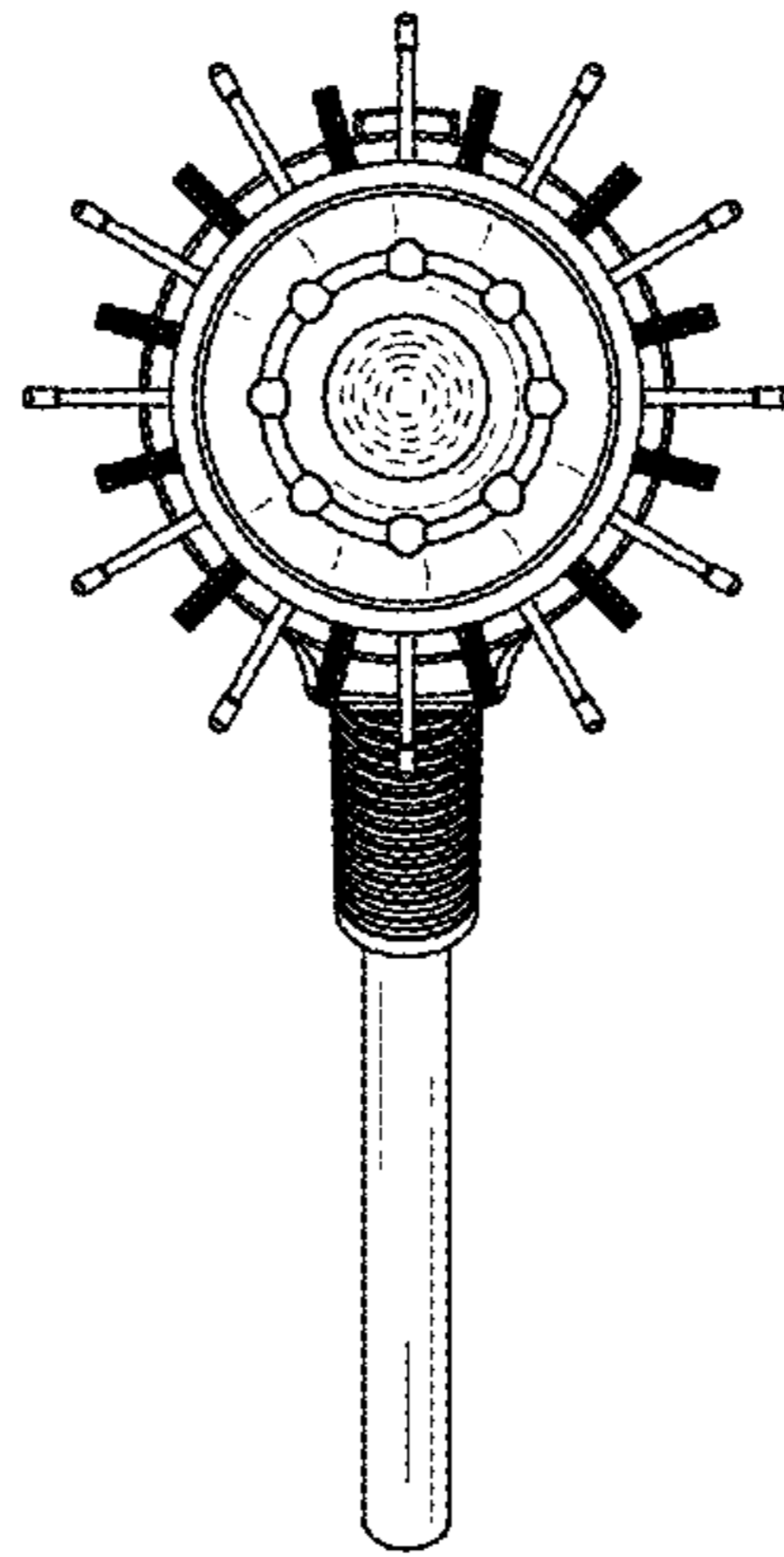


FIG. 5

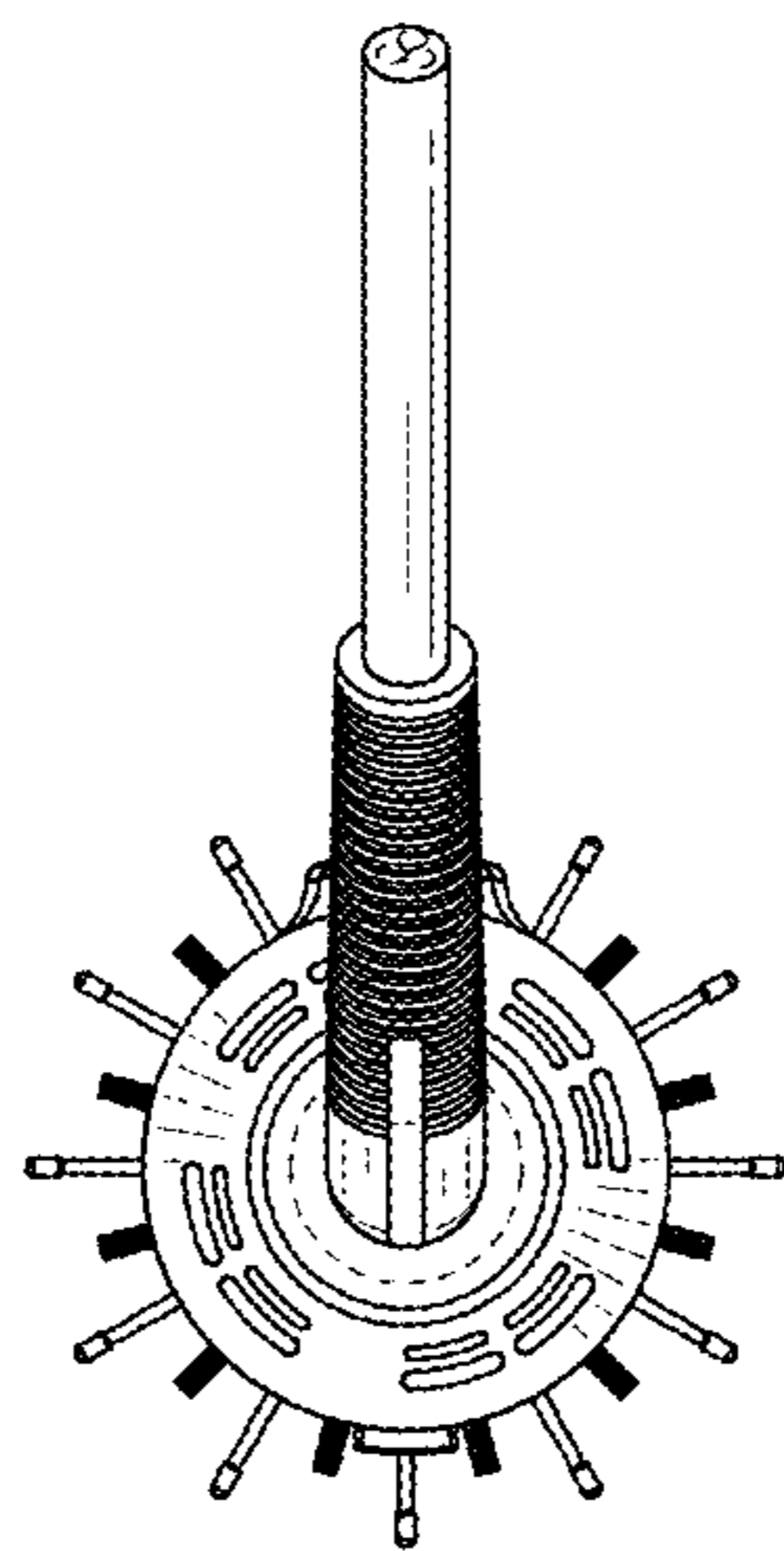


FIG. 6

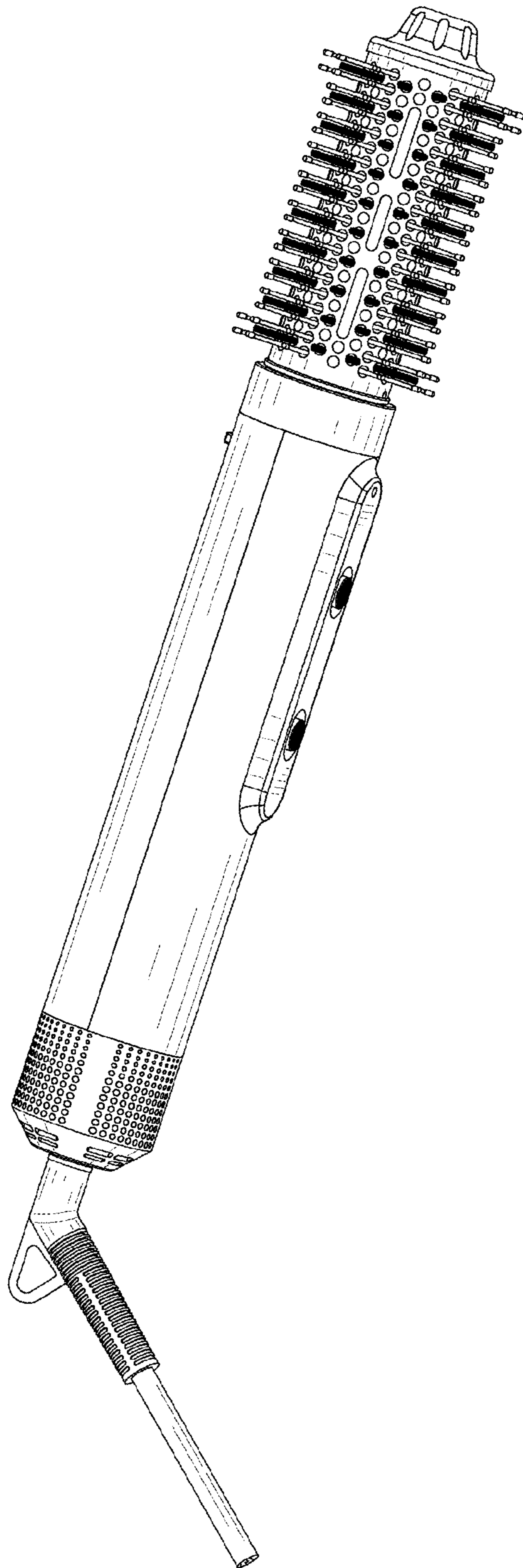


FIG. 7

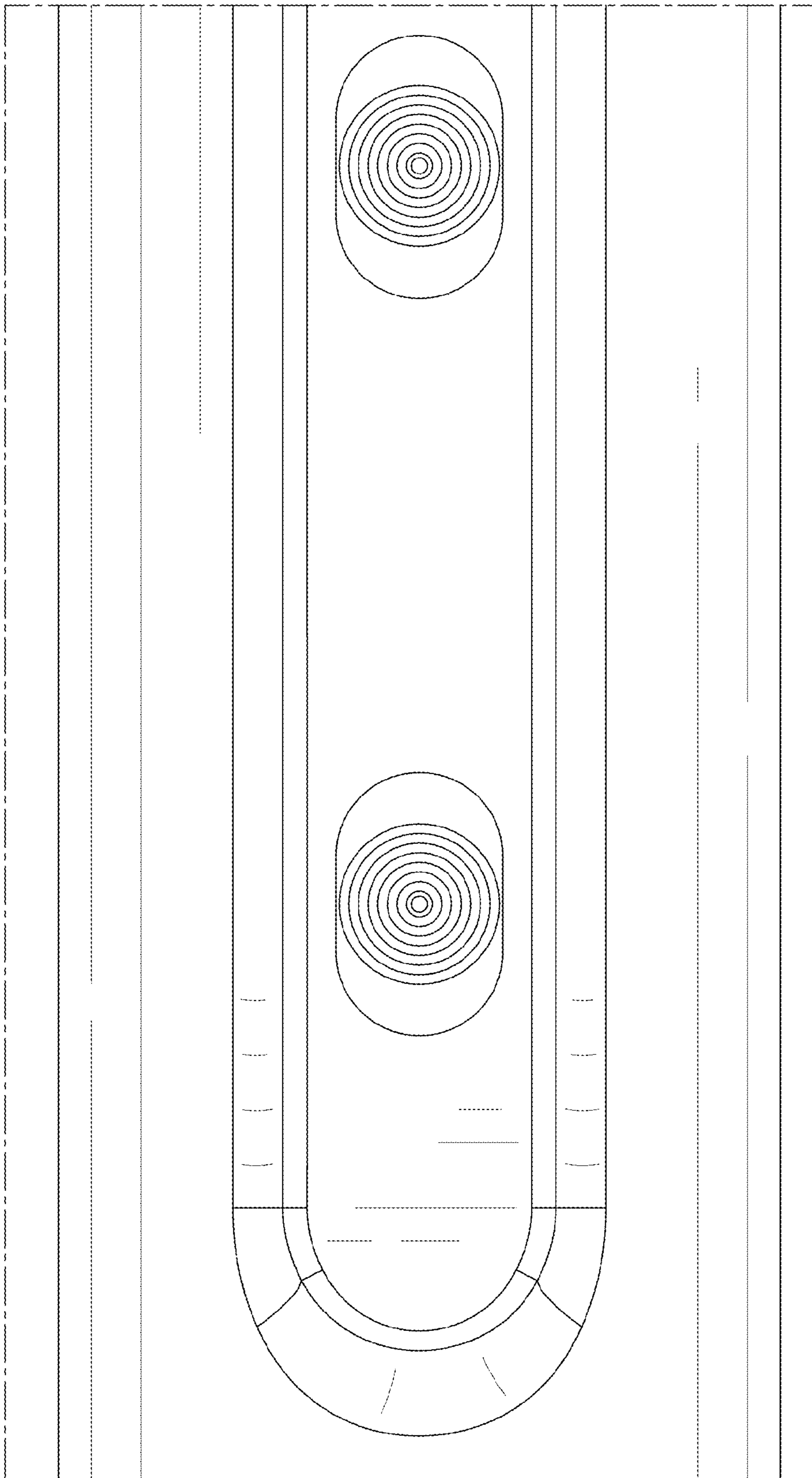


FIG. 8

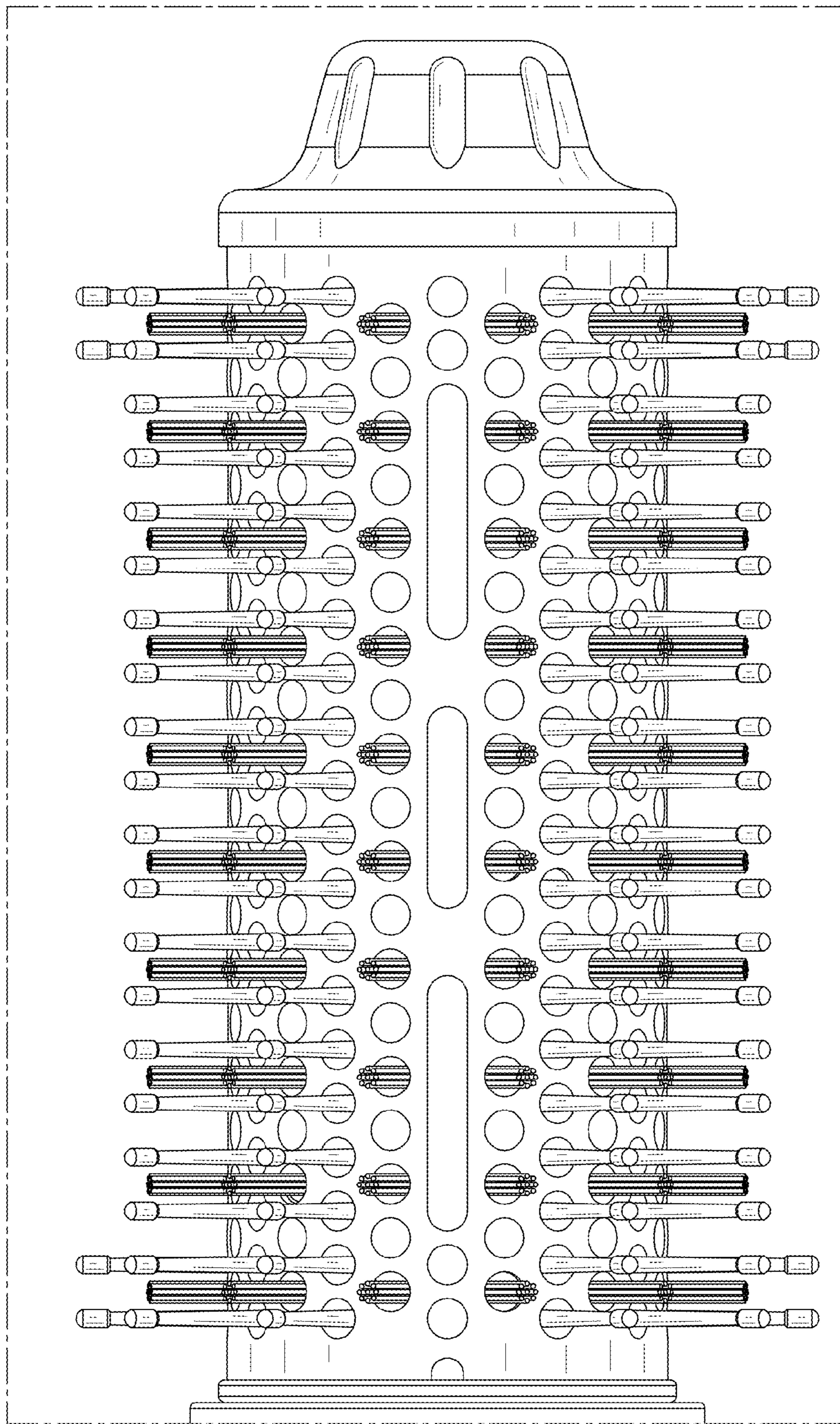


FIG. 9

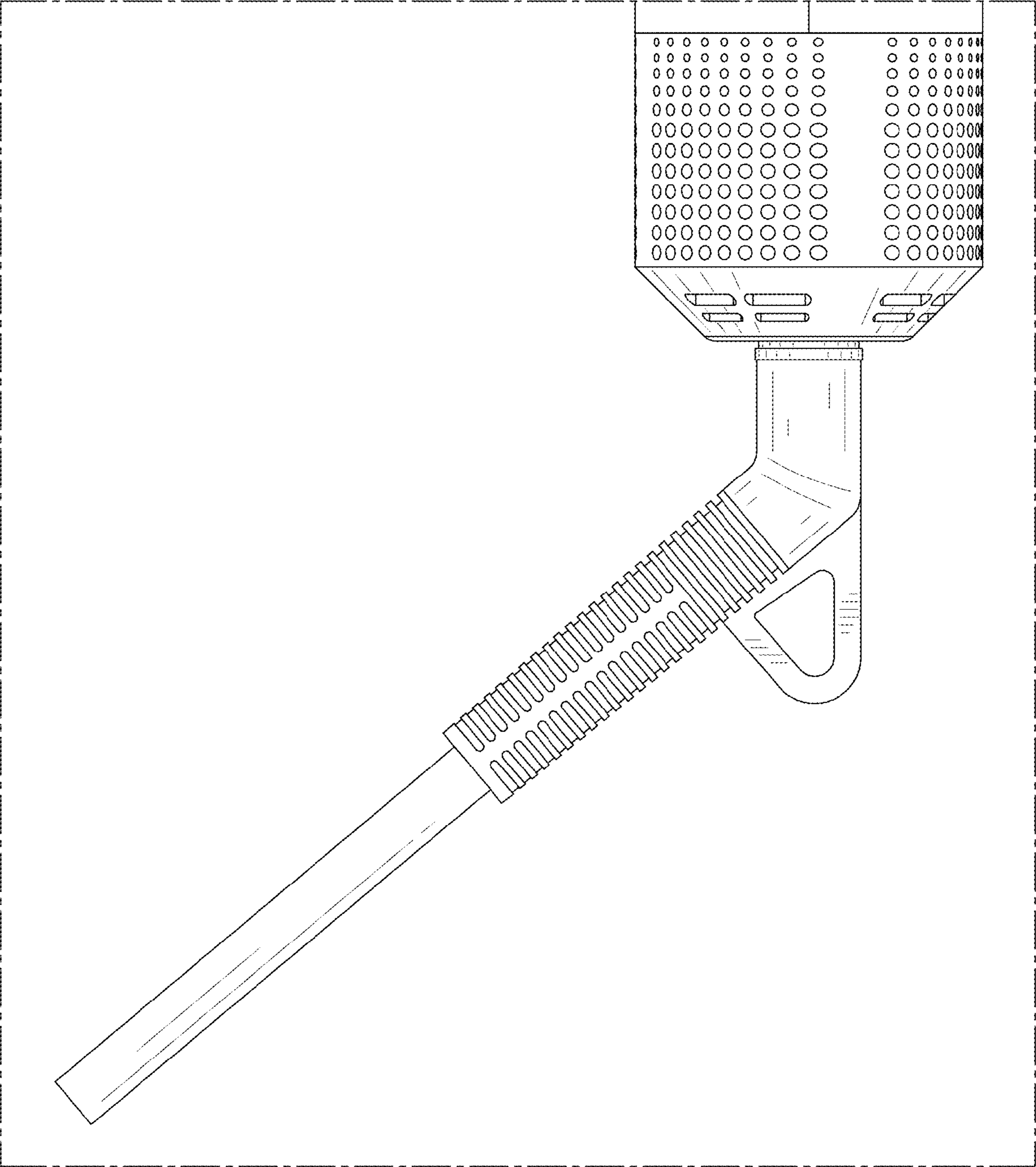


FIG. 10