



US00D917170S

(12) **United States Design Patent** (10) **Patent No.:** **US D917,170 S**  
**Tsai et al.** (45) **Date of Patent:** **\*\* \*Apr. 27, 2021**

(54) **SUITCASE INSERT**  
(71) Applicant: **PRIMA USA TRAVEL INC,**  
Commerce, CA (US)  
(72) Inventors: **Kevin Tsai,** Commerce, CA (US);  
**Nelson Jung,** Commerce, CA (US)  
(73) Assignee: **PRIMA USA TRAVEL INC,**  
Commerce, CA (US)  
(\* ) Notice: This patent is subject to a terminal disclaimer.  
(\*\* ) Term: **15 Years**  
(21) Appl. No.: **29/725,924**  
(22) Filed: **Feb. 27, 2020**  
(51) **LOC (13) Cl.** ..... **03-01**  
(52) **U.S. Cl.**  
USPC ..... **D3/318**  
(58) **Field of Classification Search**  
USPC ..... D3/232, 303, 310, 318–320; D7/703;  
D9/456, 737; 150/113; 190/109, 110;  
206/372  
CPC ..... A45C 13/02; A45C 2013/026; A45C  
2200/20; B65D 77/04  
See application file for complete search history.

D796,204 S \* 9/2017 Wax ..... D3/318  
D857,393 S \* 8/2019 Wax ..... D3/318  
D863,954 S \* 10/2019 Eckart ..... D9/423  
2009/0050429 A1 \* 2/2009 Adams, Jr. .... A45C 13/02  
190/109  
2015/0047941 A1 \* 2/2015 Wax ..... A45C 5/03  
190/18 A  
2015/0150348 A1 \* 6/2015 Wax ..... A45C 5/03  
190/18 A  
2018/0153281 A1 \* 6/2018 Contag ..... A45D 29/20  
2019/0373993 A1 \* 12/2019 Wax ..... A45C 5/14  
2020/0221842 A1 \* 7/2020 Navarrete ..... A45C 13/007  
2020/0390210 A1 \* 12/2020 Tsai ..... A45C 13/02

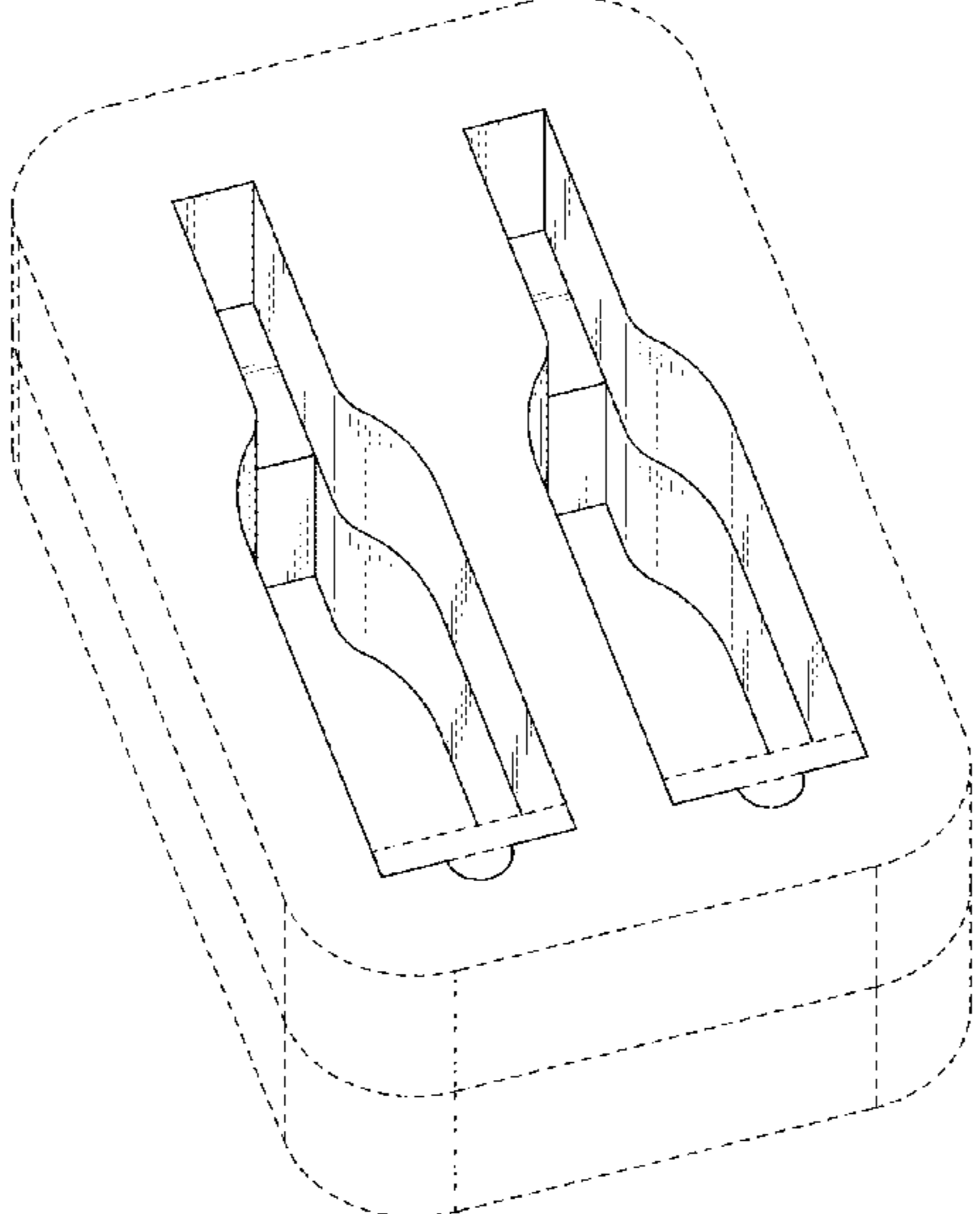
\* cited by examiner  
*Primary Examiner* — Jennifer L Watkins  
*Assistant Examiner* — Samantha Lynne Brodowski  
(74) *Attorney, Agent, or Firm* — Innovation Capital Law  
Group, LLP; Vic Lin

(57) **CLAIM**  
The ornamental design for a suitcase insert, as shown and described.

**DESCRIPTION**  
FIG. 1 is a top plan view of a suitcase insert, showing our new design;  
FIG. 2 is a bottom plan view thereof;  
FIG. 3 is a front elevation view thereof;  
FIG. 4 is a rear elevation view thereof;  
FIG. 5 is a left elevation view thereof;  
FIG. 6 is a right elevation view thereof;  
FIG. 7 is an exploded top perspective view thereof with the bracket indicating the association of elements;  
FIG. 8 is an exploded bottom perspective view thereof with the bracket indicating the association of elements;  
FIG. 9 is a top perspective view thereof; and,  
FIG. 10 is a bottom perspective view thereof.  
The broken lines depict portions of the article that form no part of the claim.

(56) **References Cited**  
U.S. PATENT DOCUMENTS  
D263,176 S \* 3/1982 Harrington ..... D3/285  
D266,147 S \* 9/1982 McIntosh ..... D9/751  
D280,976 S \* 10/1985 Diamond ..... D9/456  
6,779,665 B2 \* 8/2004 Bolanos ..... A61B 10/0096  
206/569  
D636,676 S \* 4/2011 Gebbia ..... D9/456  
D723,279 S \* 3/2015 Wax ..... D3/318  
D746,061 S \* 12/2015 Wax ..... D3/318  
D746,595 S \* 1/2016 Wax ..... D3/318

**1 Claim, 8 Drawing Sheets**



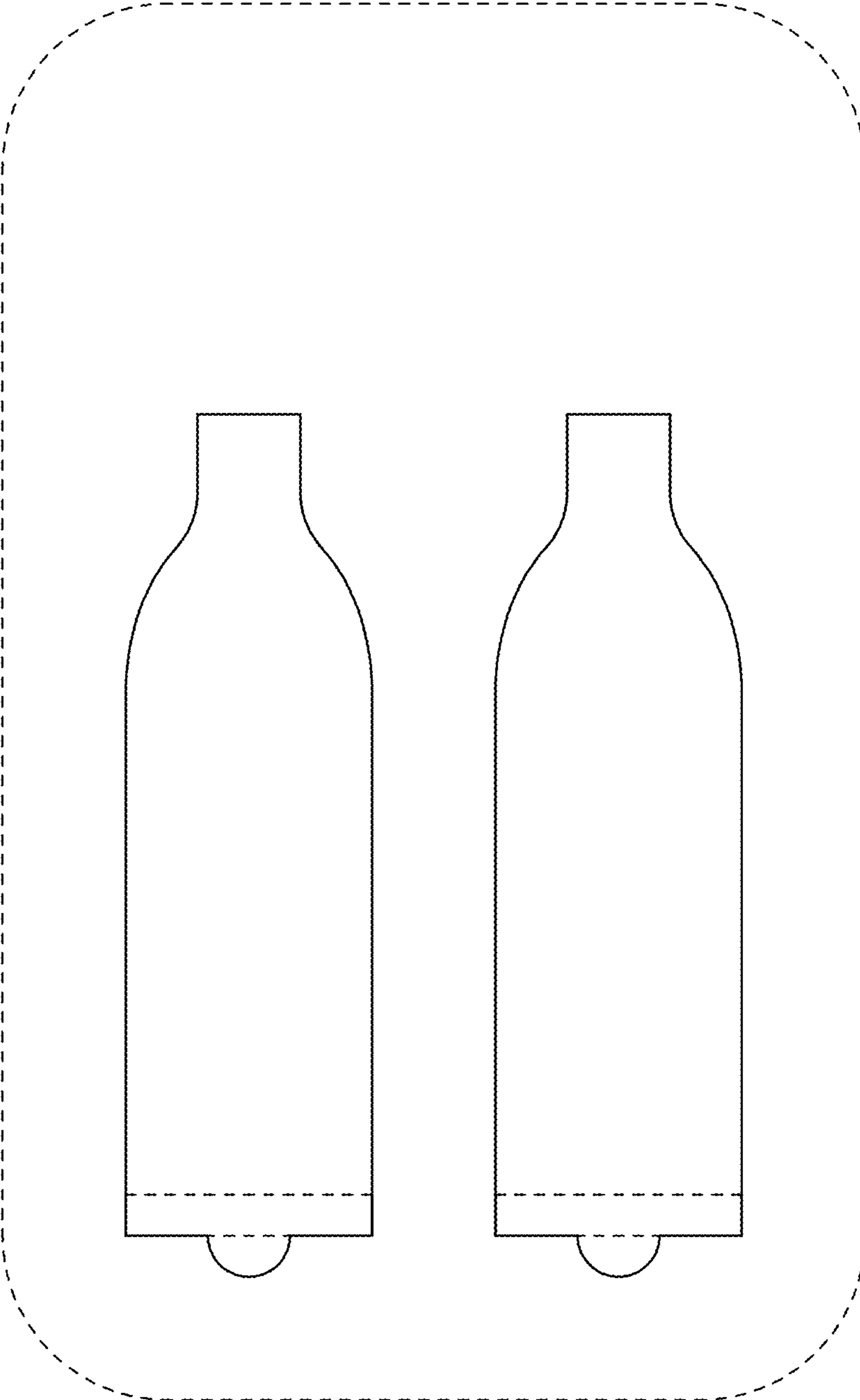


FIG. 1

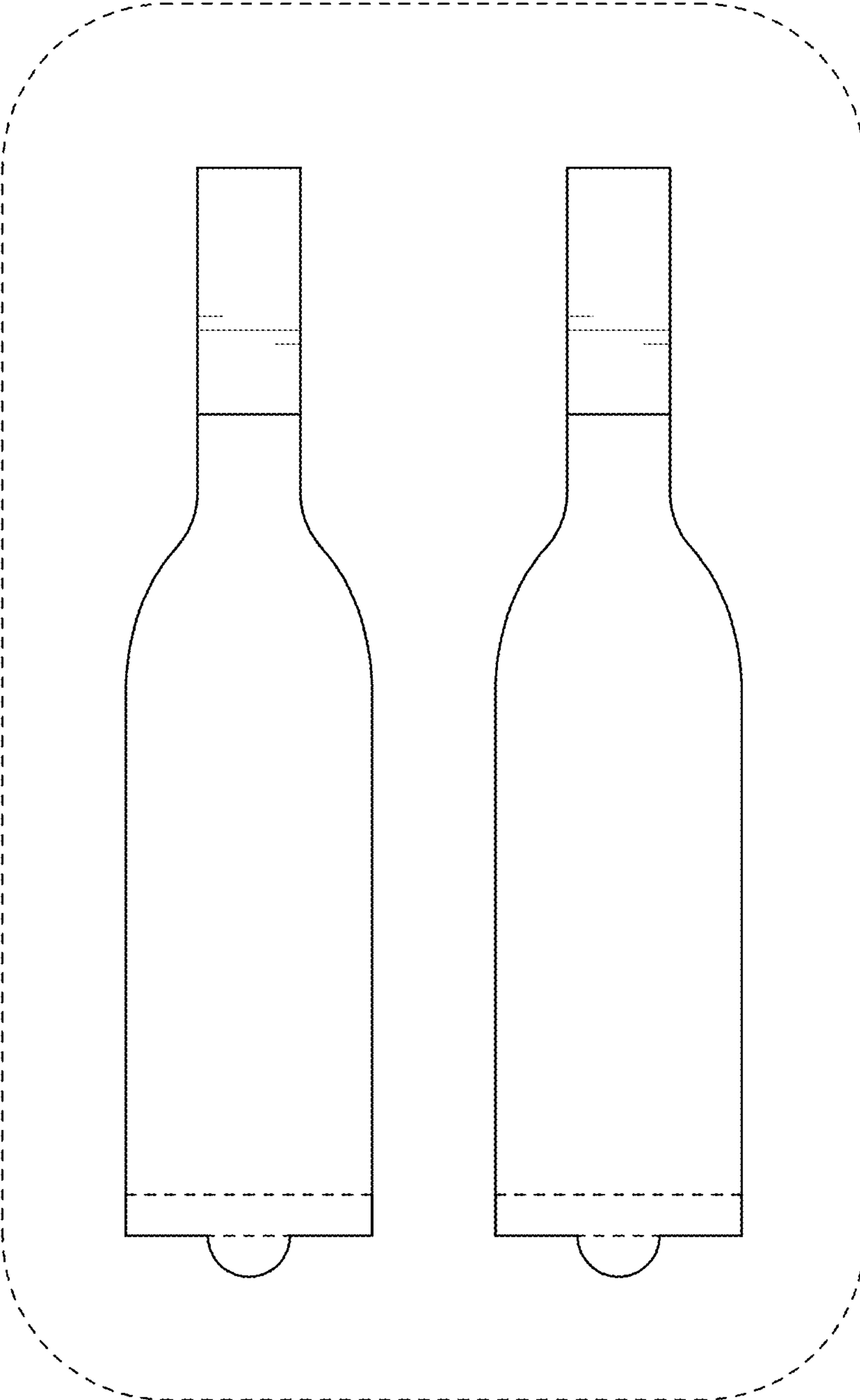


FIG. 2

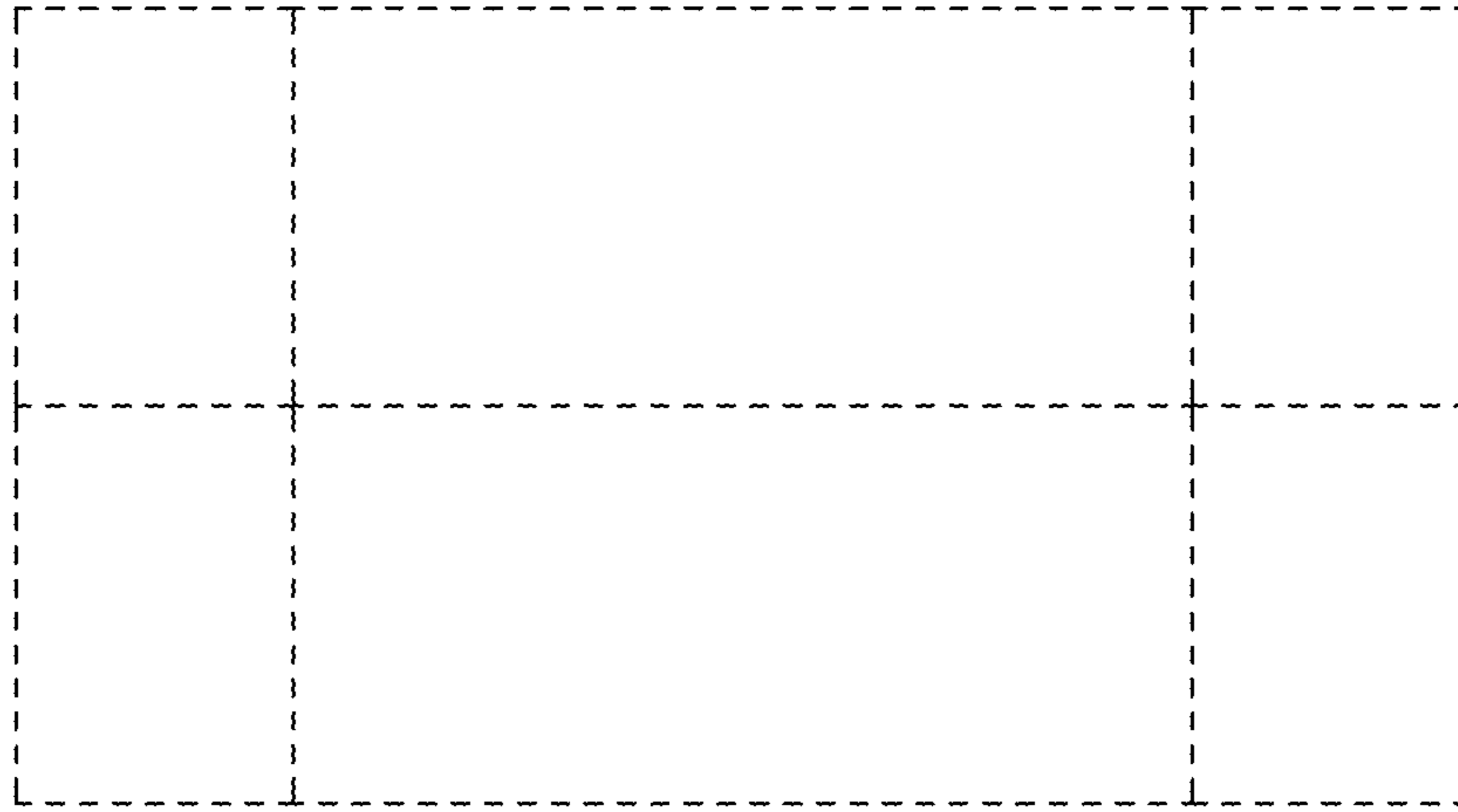


FIG. 3

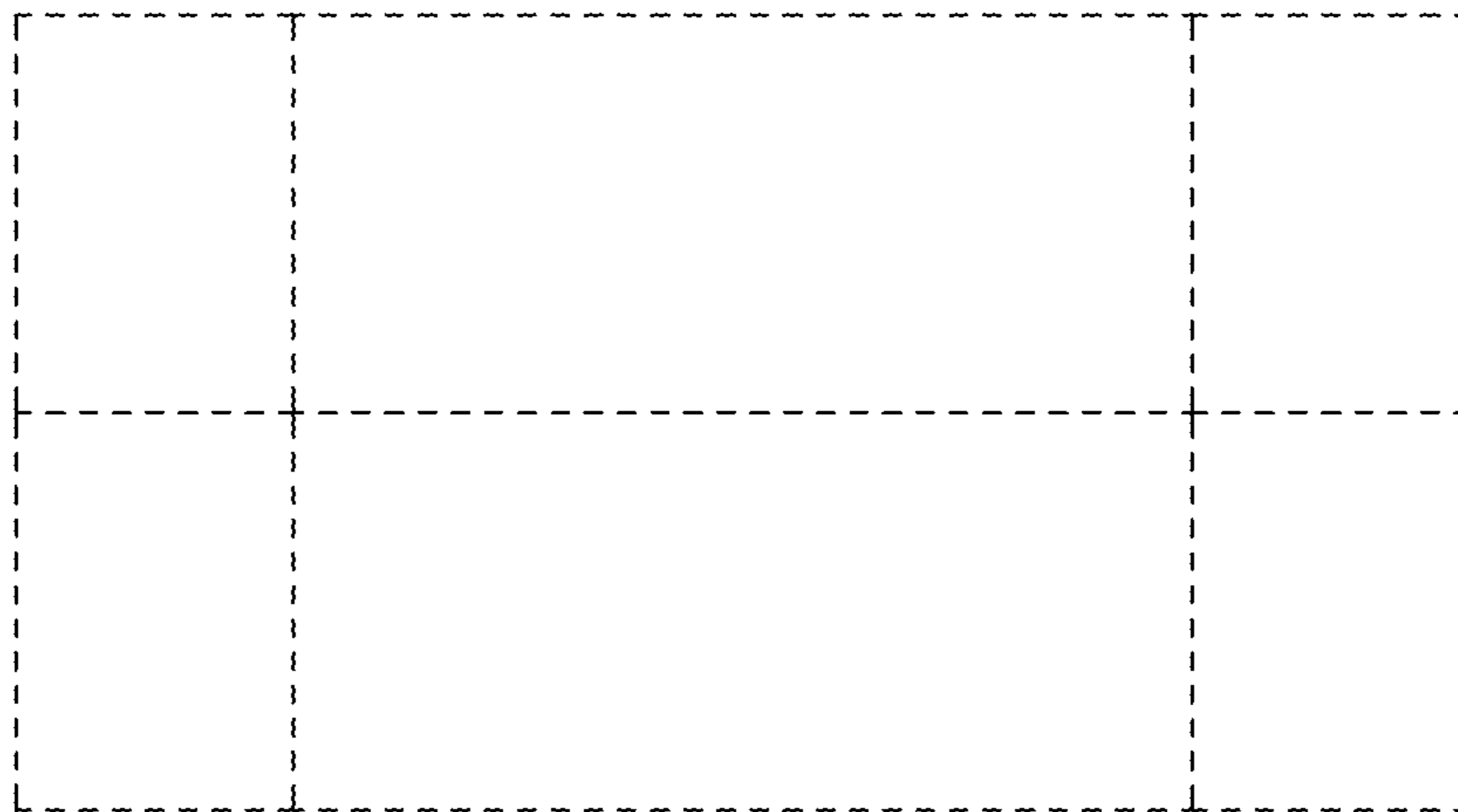


FIG. 4

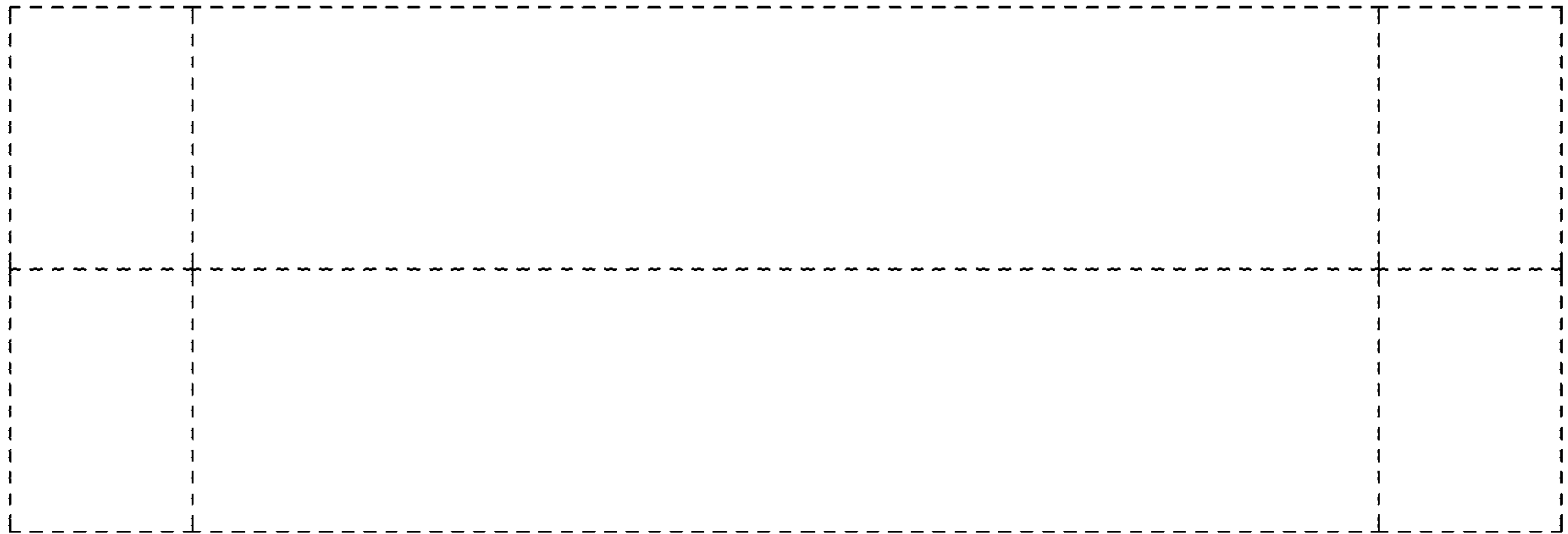


FIG. 5



FIG. 6

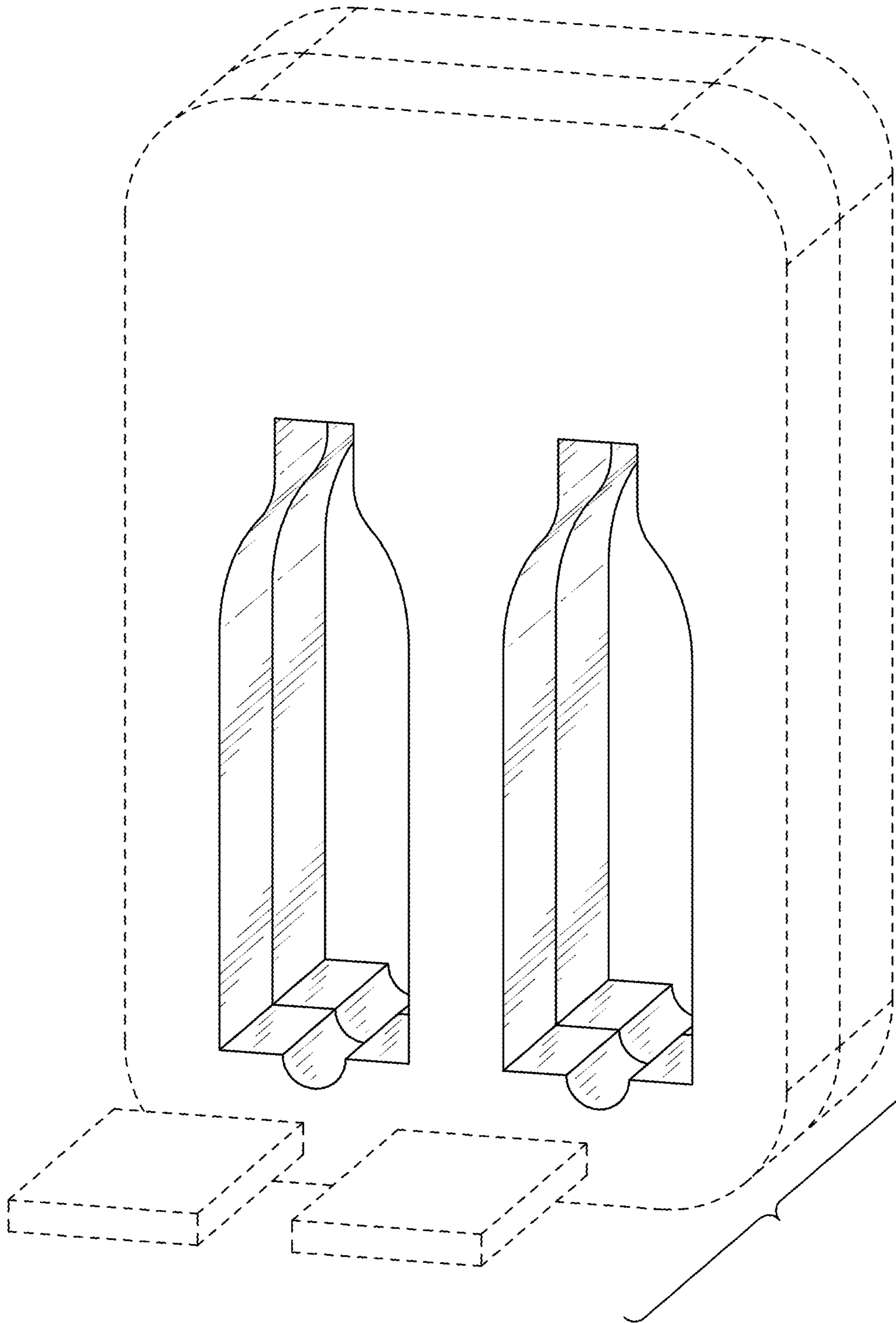


FIG. 7

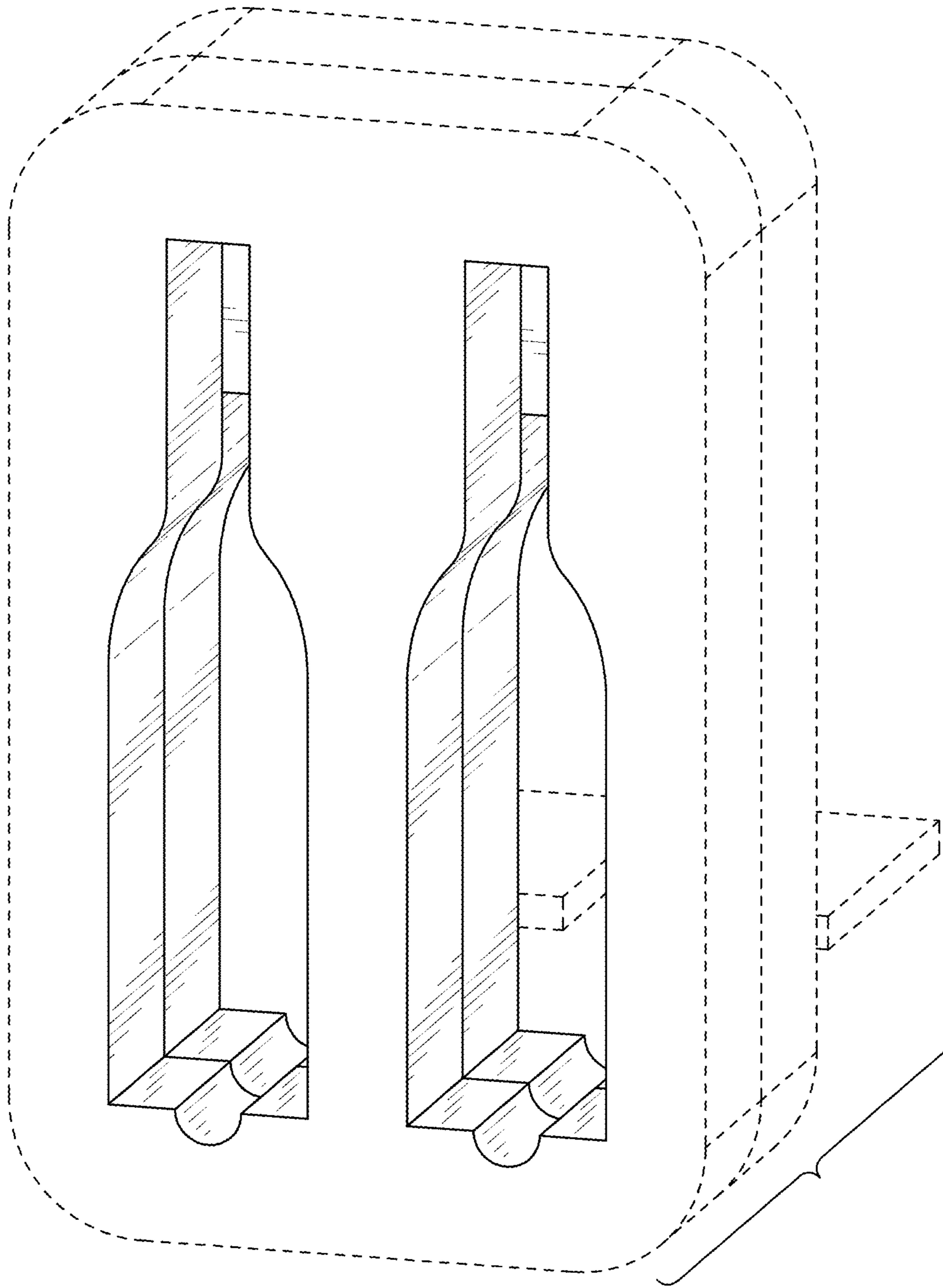


FIG. 8

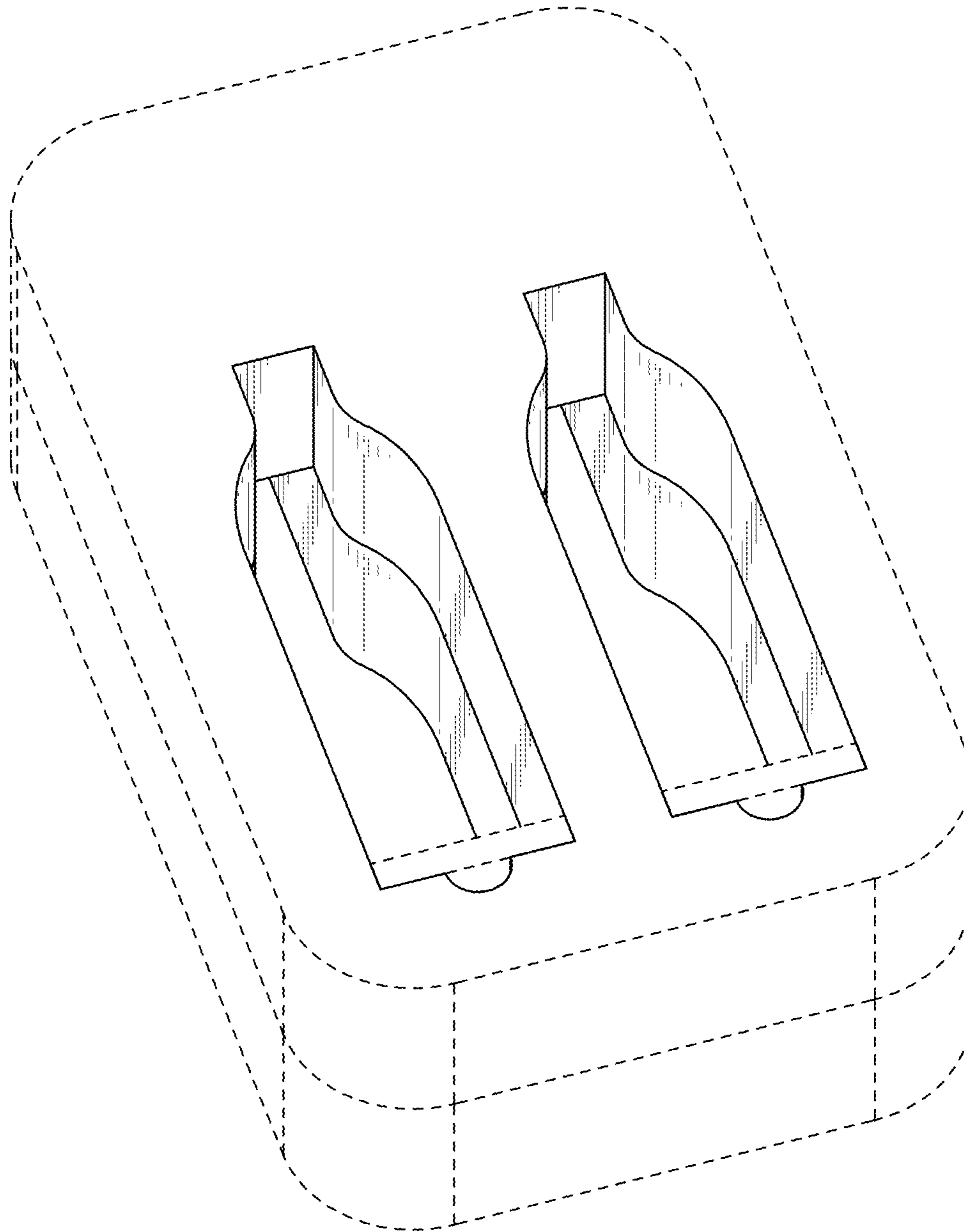


FIG. 9



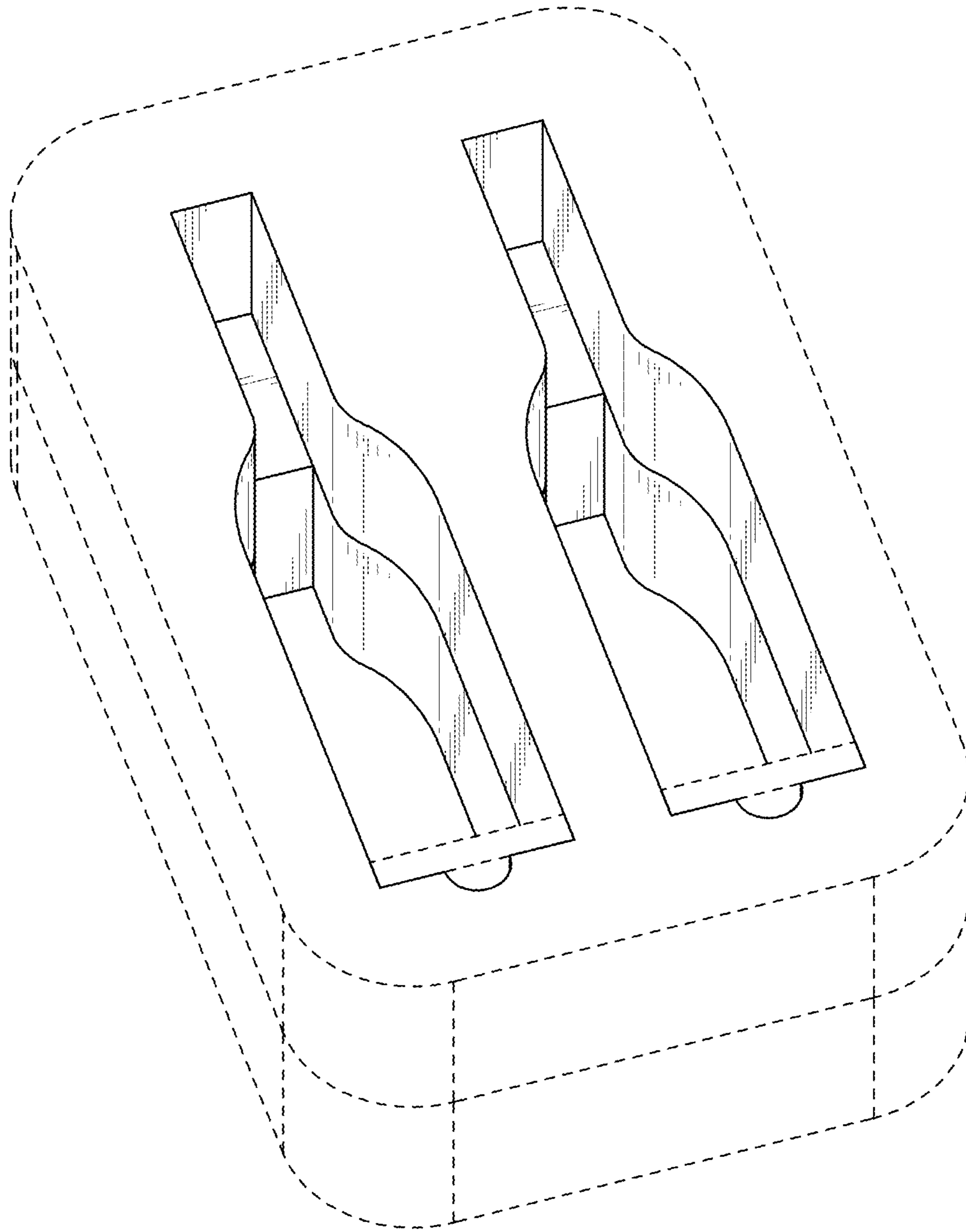


FIG. 10