



US00D917169S

(12) **United States Design Patent** (10) **Patent No.:** **US D917,169 S**
Amiri (45) **Date of Patent:** **** *Apr. 27, 2021**

- (54) **HANDBAG CLASP**
- (71) Applicant: **Mike Amiri**, Los Angeles, CA (US)
- (72) Inventor: **Mike Amiri**, Los Angeles, CA (US)
- (73) Assignee: **Atelier Luxury Group, LLC**, Los Angeles, CA (US)
- (*) Notice: This patent is subject to a terminal disclaimer.
- (**) Term: **15 Years**
- (21) Appl. No.: **29/679,896**
- (22) Filed: **Feb. 11, 2019**
- (51) **LOC (13) Cl.** **03-01**
- (52) **U.S. Cl.**
USPC **D3/318**
- (58) **Field of Classification Search**
USPC D3/226, 229, 230, 232–233, 240–243,
D3/245–246, 318, 321–328
See application file for complete search history.

(56) **References Cited**

U.S. PATENT DOCUMENTS

D339,229 S *	9/1993	Lopez	D26/34
D557,010 S	12/2007	Gonzalez		
D559,539 S	1/2008	Gonzalez		
D582,665 S	12/2008	Gonzalez		
D588,358 S	3/2009	Gonzalez		
D630,846 S	1/2011	Gonzalez		
D648,122 S	11/2011	Guyon et al.		
D684,370 S *	6/2013	Ford	D3/318
D693,572 S	11/2013	Juster et al.		
D696,017 S *	12/2013	Lagerfeld	D3/318
D698,154 S *	1/2014	Ford	D3/318

D713,142 S	9/2014	Dallas		
D727,618 S	4/2015	McNamara		
D728,255 S	5/2015	McNamara		
D746,061 S *	12/2015	Wax	D3/318
D752,866 S *	4/2016	Guichot	D3/318
D761,024 S *	7/2016	Guichot	D3/318
D779,307 S	2/2017	Nix		
D804,281 S	12/2017	Marsden		
D804,282 S	12/2017	Schweiss		
D826,566 S *	8/2018	Salvador	D3/324
D830,062 S *	10/2018	Dolce	D3/318
D835,914 S *	12/2018	Fusi	D3/318
D836,342 S *	12/2018	Fusi	D3/318
D837,510 S	1/2019	Vevers et al.		
D837,512 S	1/2019	Maier		
D837,523 S *	1/2019	Fusi	D3/322
D838,988 S *	1/2019	Fusi	D3/322

* cited by examiner

Primary Examiner — Holly E Thurman

(57) **CLAIM**

The ornamental design for a handbag clasp, as shown and described.

DESCRIPTION

FIG. 1 is a front, right side perspective view of a handbag clasp.

FIG. 2 is a front, right side perspective view of a handbag clasp in an alternate position.

FIG. 3 is a front elevation view of a handbag clasp.

FIG. 4 is a left side elevation view of a handbag clasp.

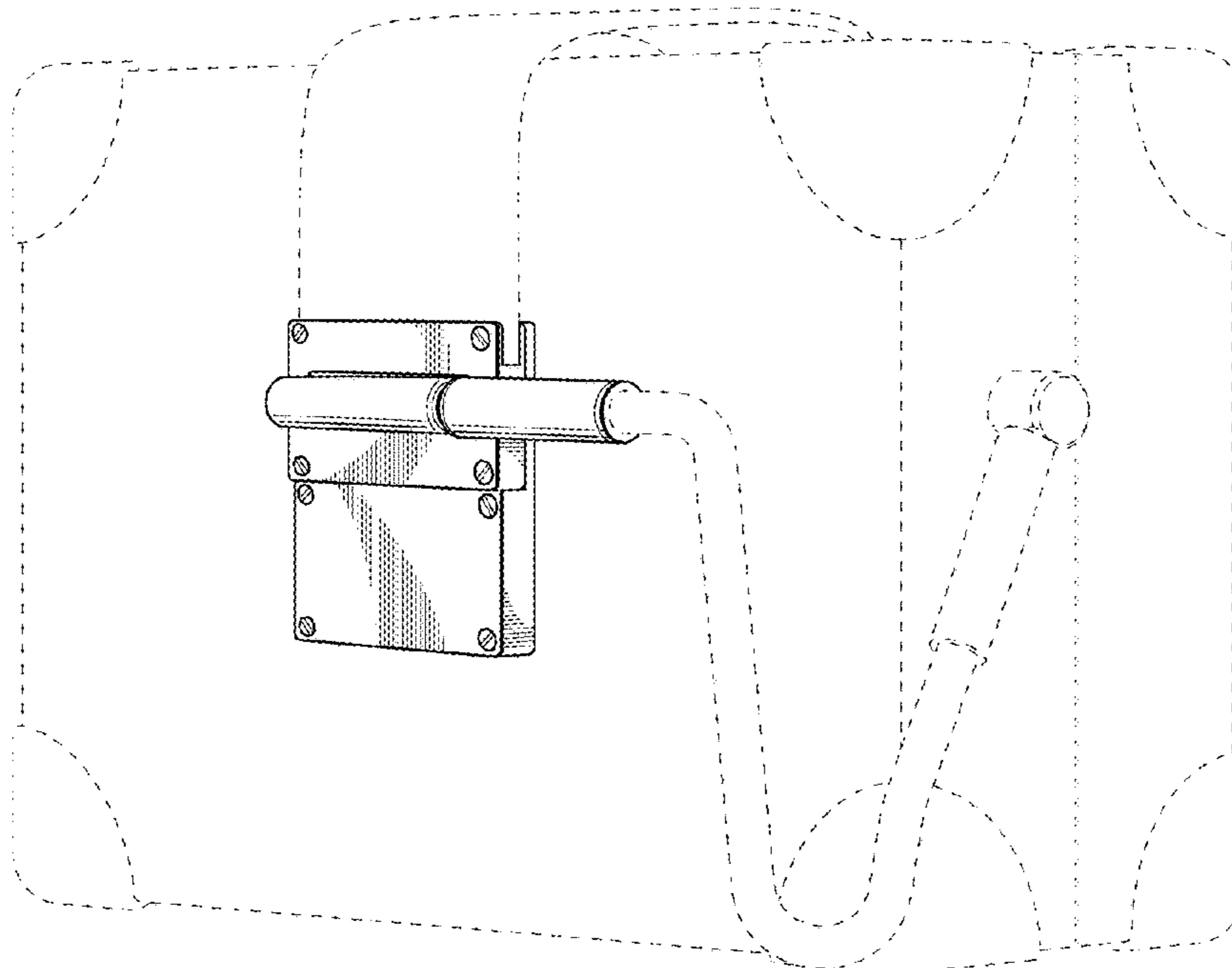
FIG. 5 is a right side elevation view of a handbag clasp.

FIG. 6 is a top plan view of a handbag clasp; and,

FIG. 7 is a bottom plan view of a handbag clasp.

The broken lines shown in the drawings are for illustrative purposes only and form no part of the claimed design.

1 Claim, 4 Drawing Sheets



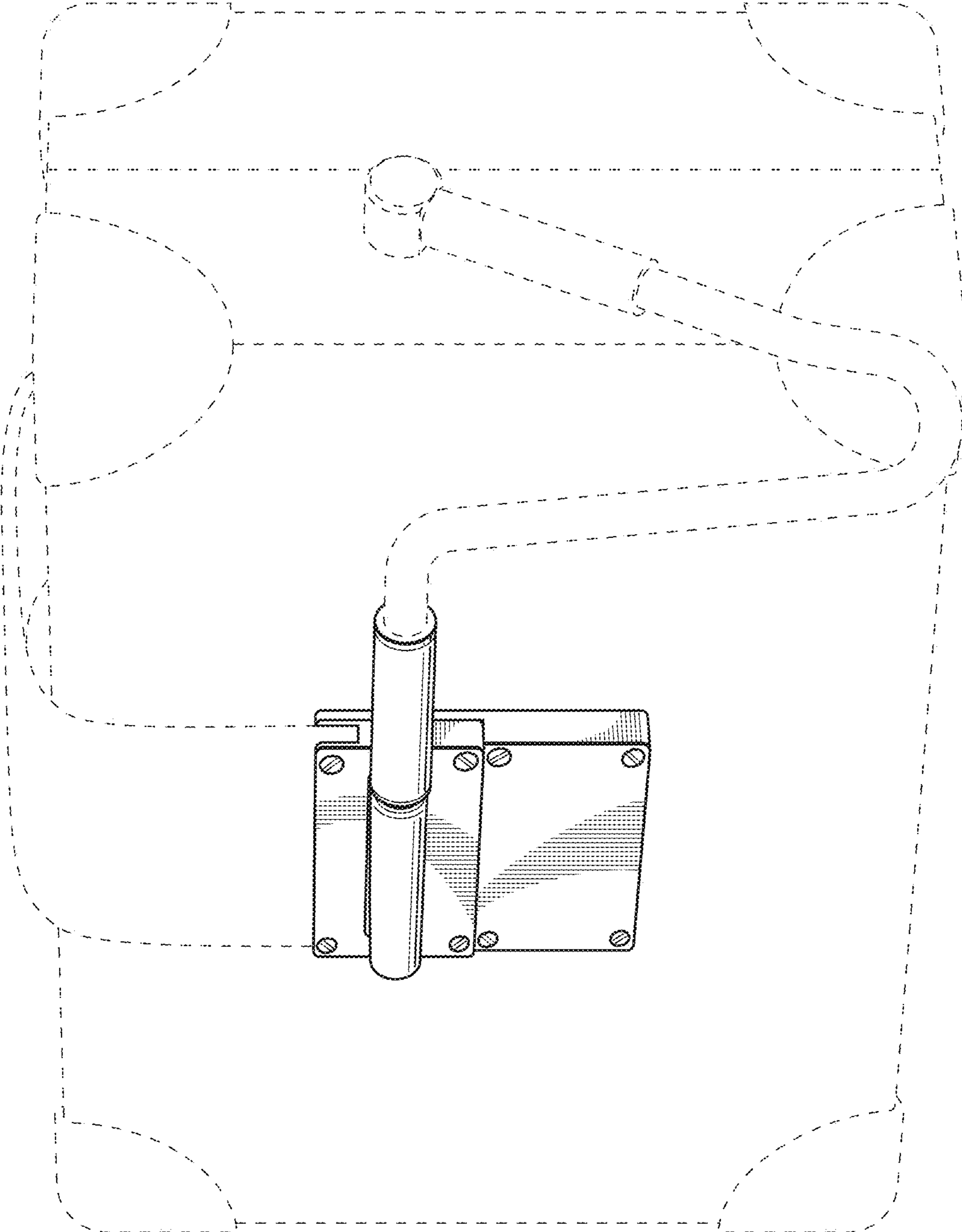


FIG. 1

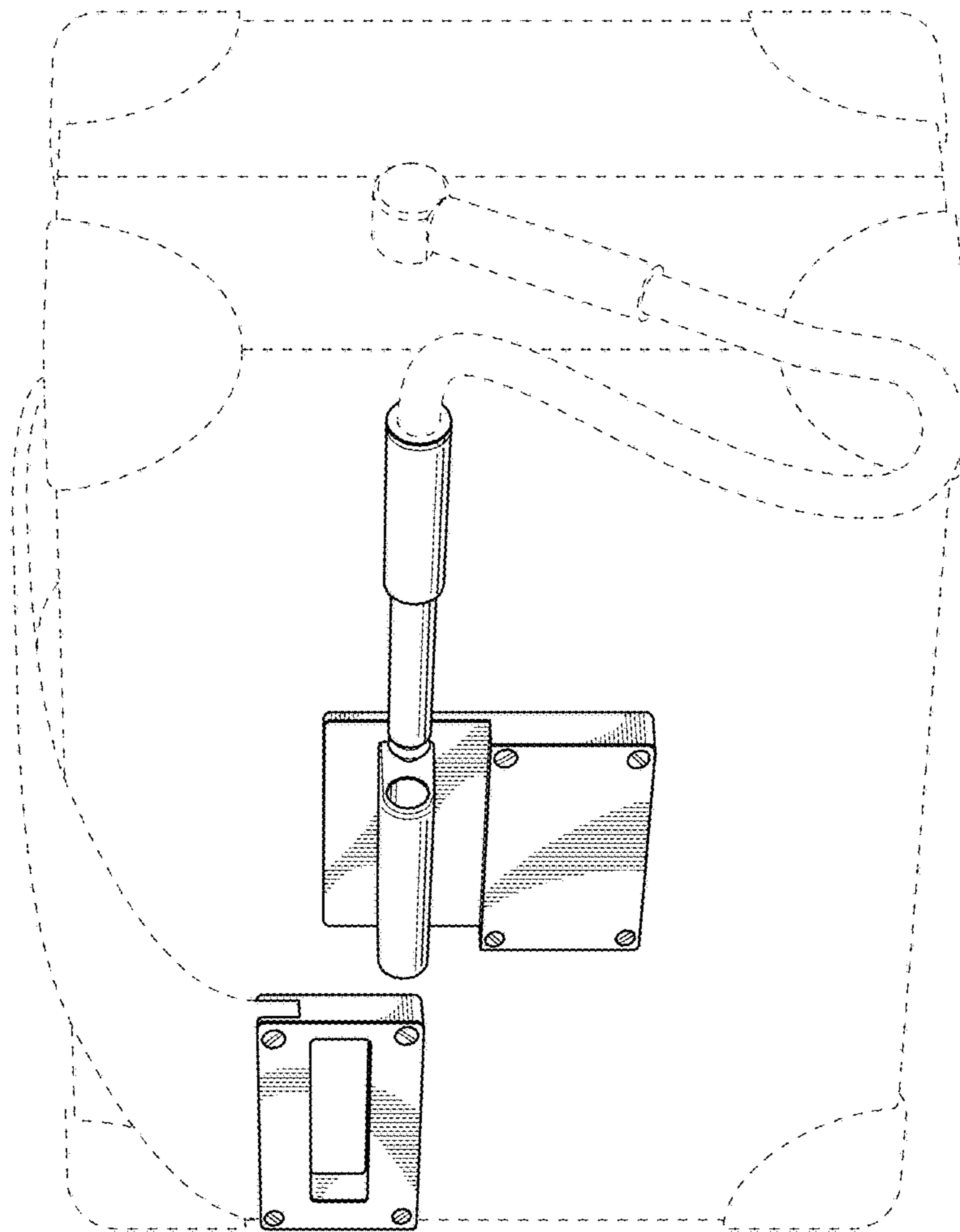


FIG. 2

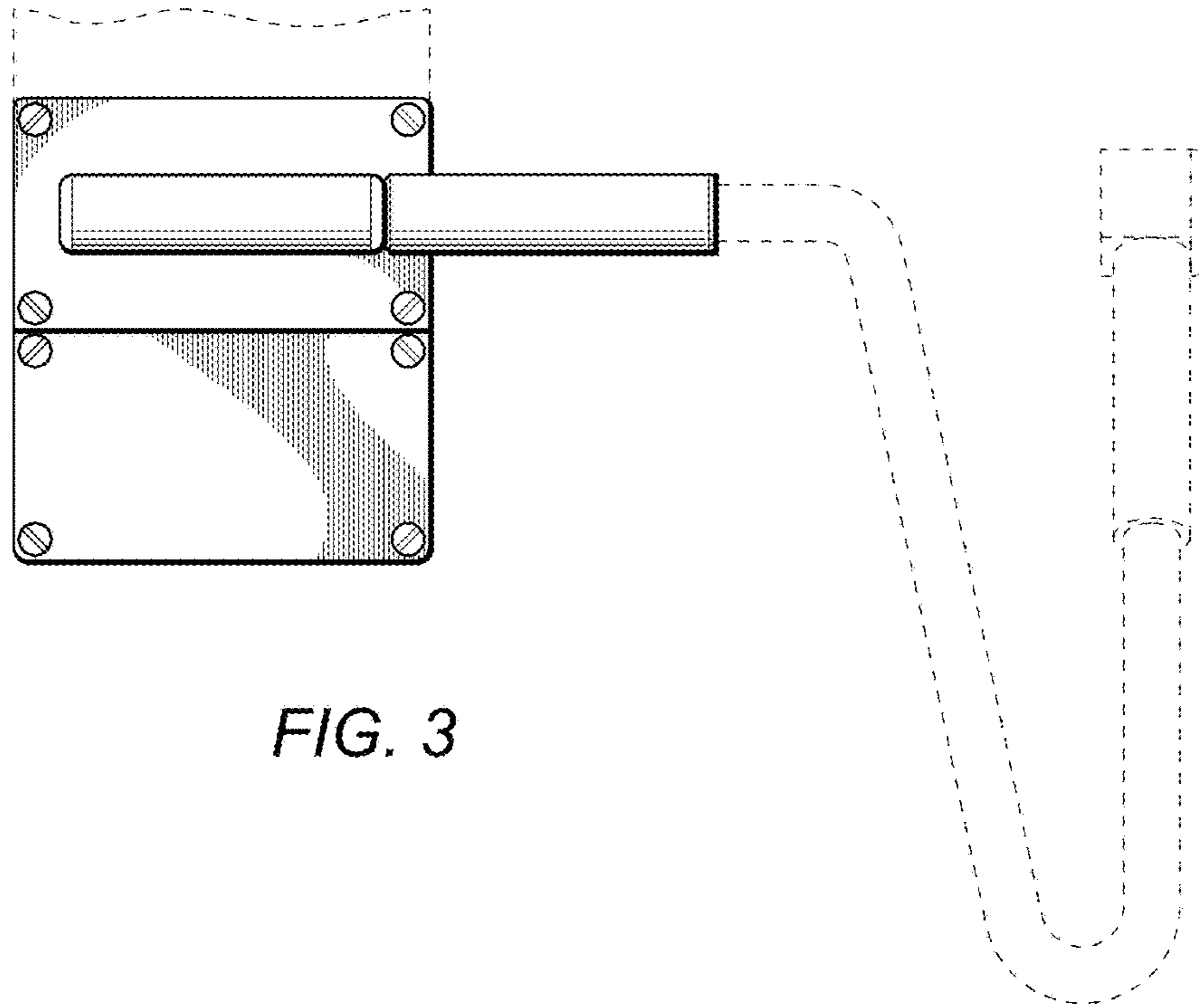


FIG. 3

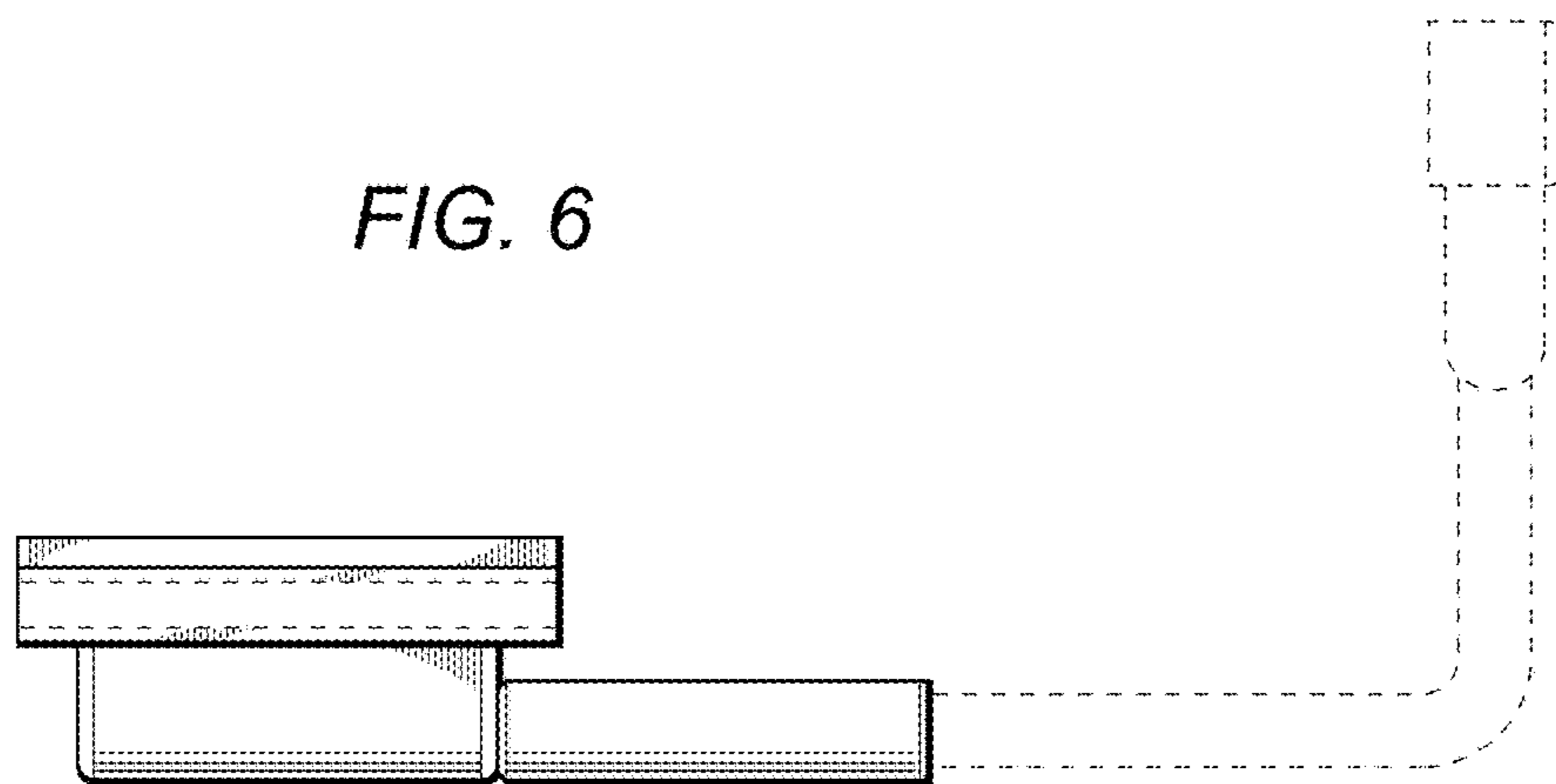


FIG. 6

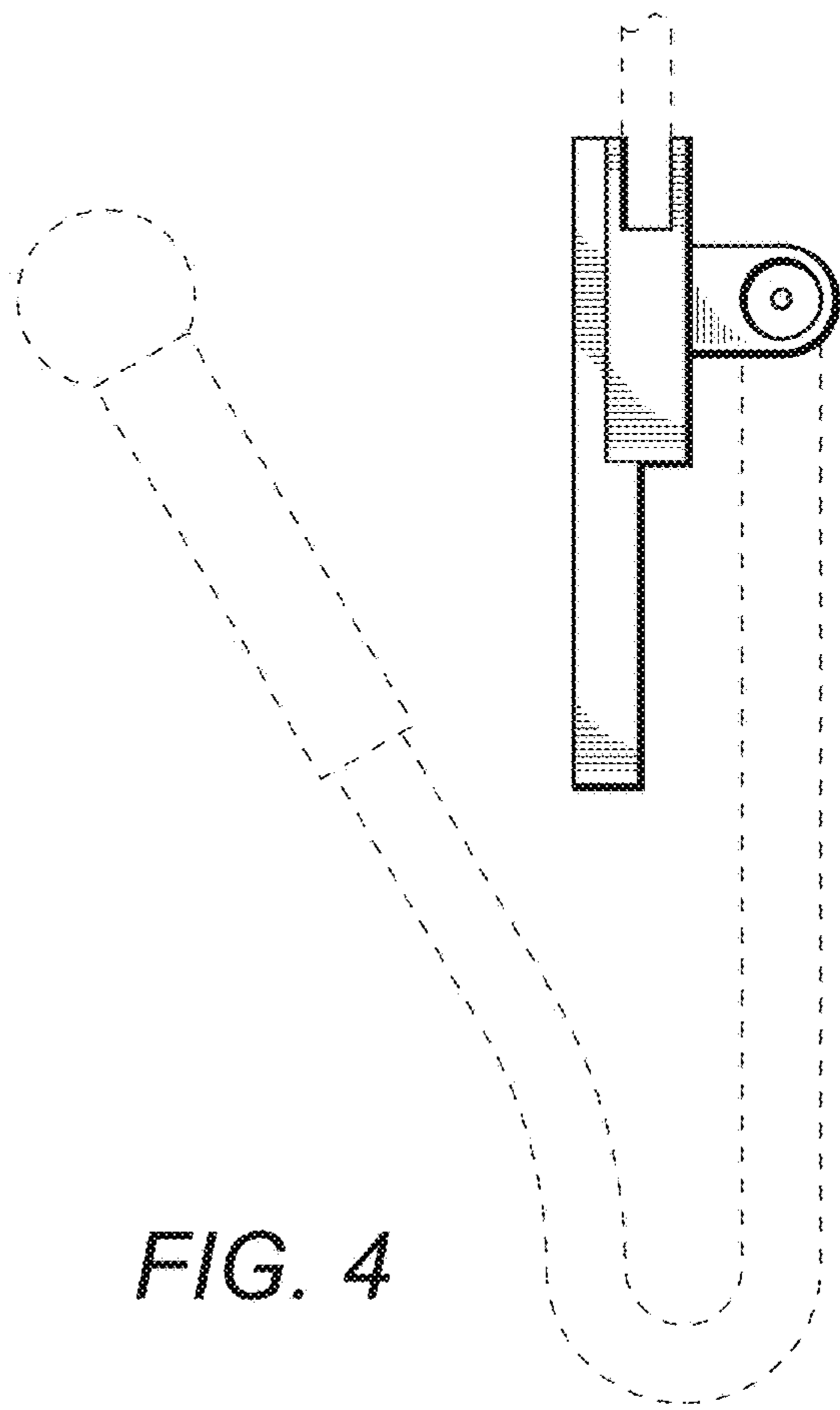


FIG. 4

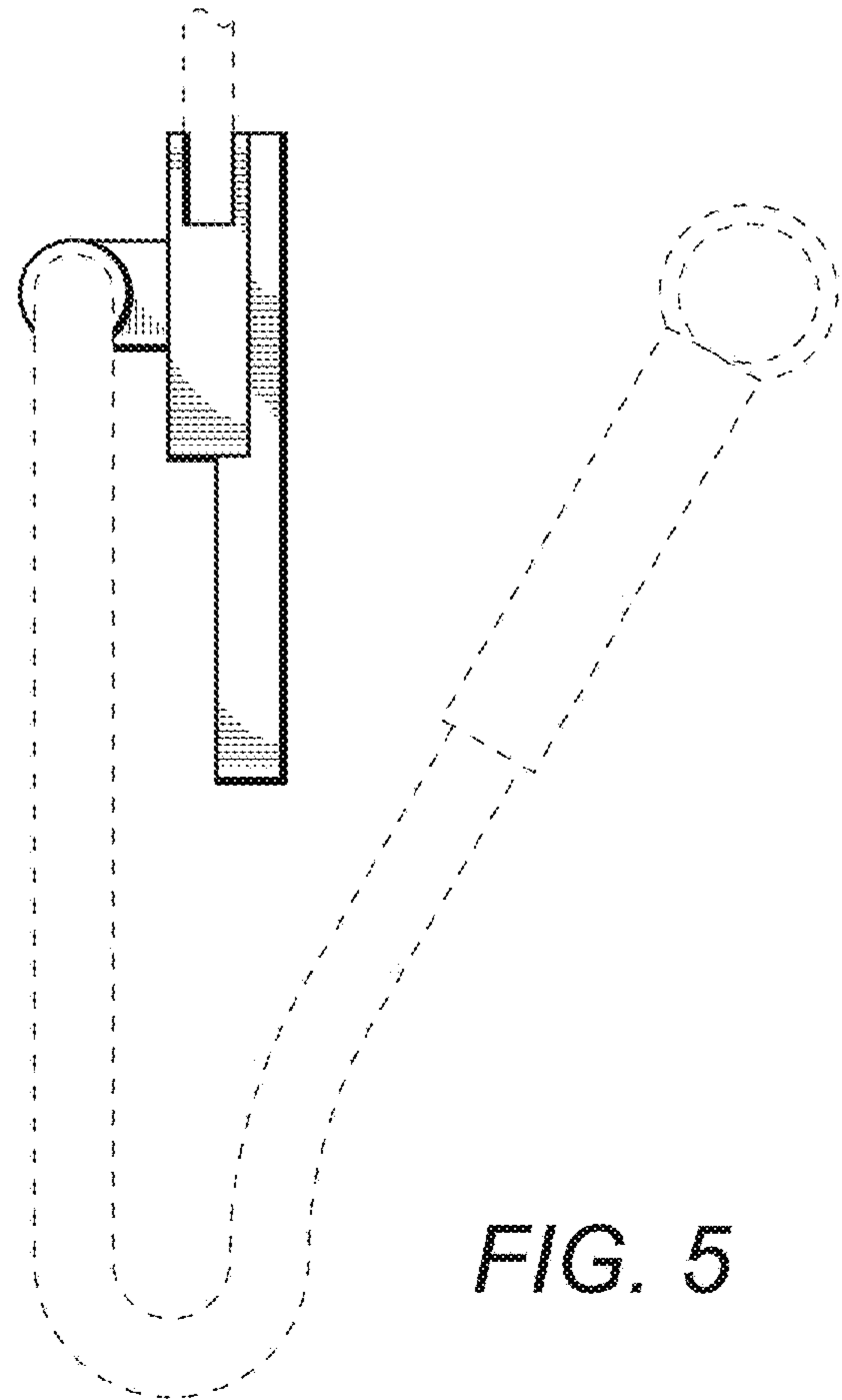


FIG. 5

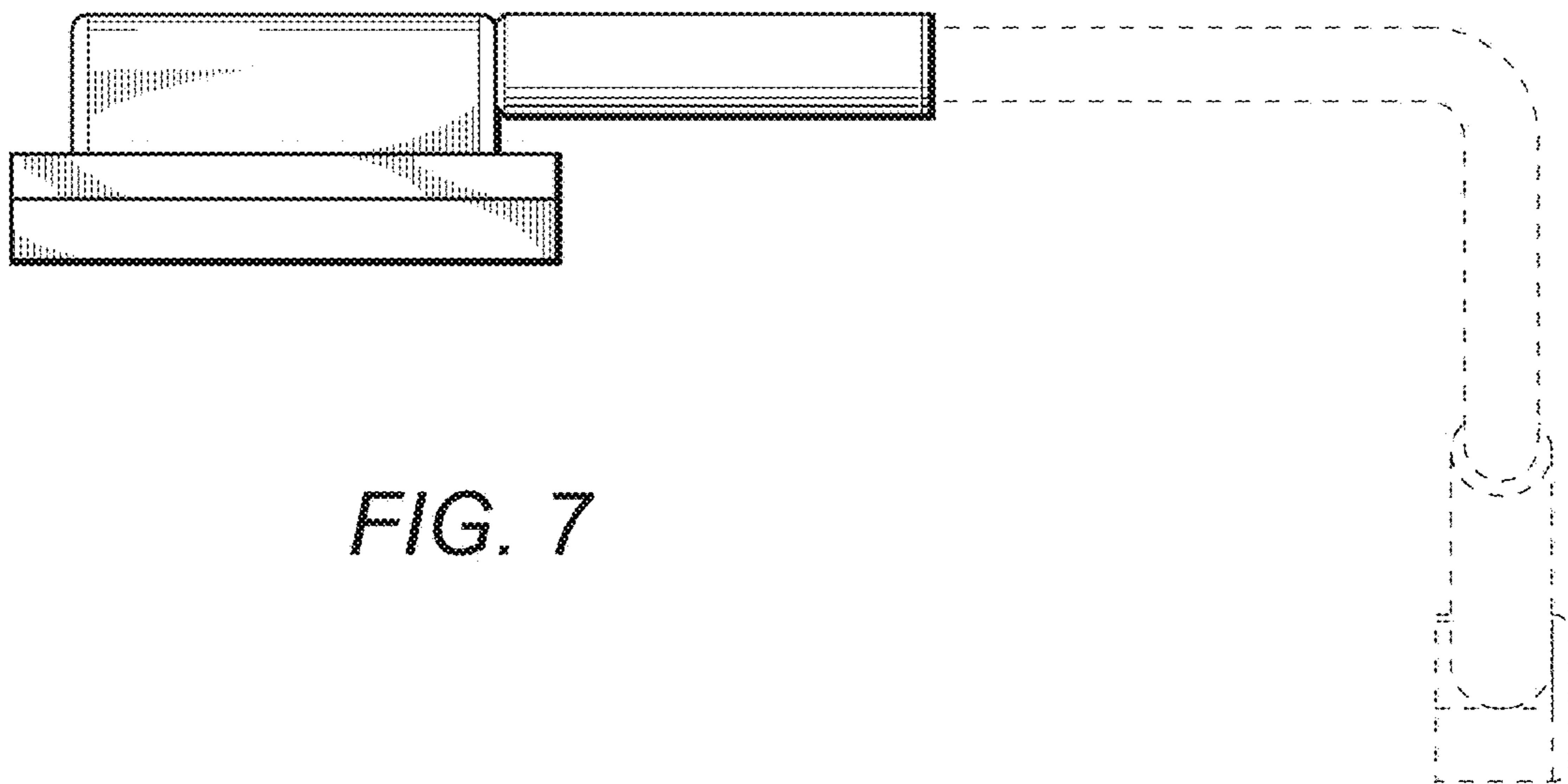


FIG. 7