



US00D917167S

(12) **United States Design Patent** (10) **Patent No.:** **US D917,167 S**
Fenech et al. (45) **Date of Patent:** **** Apr. 27, 2021**

(54) **FIREPROOF BAG**

(71) Applicants: **Michael Fenech**, Sydney (AU); **Nicole Kalazich**, Sydney (AU)

(72) Inventors: **Michael Fenech**, Sydney (AU); **Nicole Kalazich**, Sydney (AU)

(**) Term: **15 Years**

(21) Appl. No.: **29/704,860**

(22) Filed: **Sep. 7, 2019**

(51) **LOC (13) Cl.** **03-01**

(52) **U.S. Cl.**
USPC **D3/290**

(58) **Field of Classification Search**

USPC D3/203.1–203.3, 203.6, 205, 206, 226, D3/227, 230, 232, 242, 243, 245–247, D3/249–251, 253, 258, 267, 268, D3/273–276, 283–291, 294, 295, D3/299–301, 303, 900, 901, 903; D7/602, 605, 607, 701, 703, 709; D9/701, 707, 709; D19/102, 106; D27/172, 173, 180, 185–187, 189–191, D27/193; D28/73, 76
CPC A45C 1/02; A45C 1/04; A45C 1/06; A45C 1/024; A45C 3/00; A45C 3/02; A45C 3/04; A45C 3/06; A45C 3/08; A45C 3/004; A45C 5/00; A45C 5/02; A45C 5/03; A45C 5/04; A45C 5/06; A45C 5/005; A45C 7/00; A45C 7/0036; A45C 7/0086; A45C 7/059; A45C 9/00; A45C 11/00; A45C 11/16; A45C 11/24; A45C 11/26; A45C 11/38; A45C 11/008; A45C 13/02; A45C 13/08; A45C 13/26; A45C 13/30; A45C 13/185; A45C 15/00; A45C 2003/007; A45C 2003/008; A45C 2011/003; A45C 2011/007; A45C 2200/05; A45C 2200/10; A45F 5/00; A45F 5/02; A45F 5/021; A45F 2200/02; A45F 2200/0525; B65D 75/00; B65D 85/00; B65D 85/68

See application file for complete search history.

(56) **References Cited**

U.S. PATENT DOCUMENTS

D273,535 S * 4/1984 Weinreb 150/113
D276,953 S * 1/1985 Weinreb D3/268
D364,161 S * 11/1995 Campbell D14/168
D380,087 S * 6/1997 Roth D3/243
D411,346 S * 6/1999 Pracht D3/233

(Continued)

OTHER PUBLICATIONS

ALORVA Fireproof and Waterproof Document Bag, first available Oct. 31, 2019, amazon.com [online], [site visited Jan. 8, 2021], Available at internet URL: <https://www.amazon.com/ALORVA-Fireproof-Waterproof-Document-Bag/dp/B07Y6WJDKC> (Year: 2019).*

(Continued)

Primary Examiner — Jeffrey D Asch
Assistant Examiner — Caitlin Ann Laverty

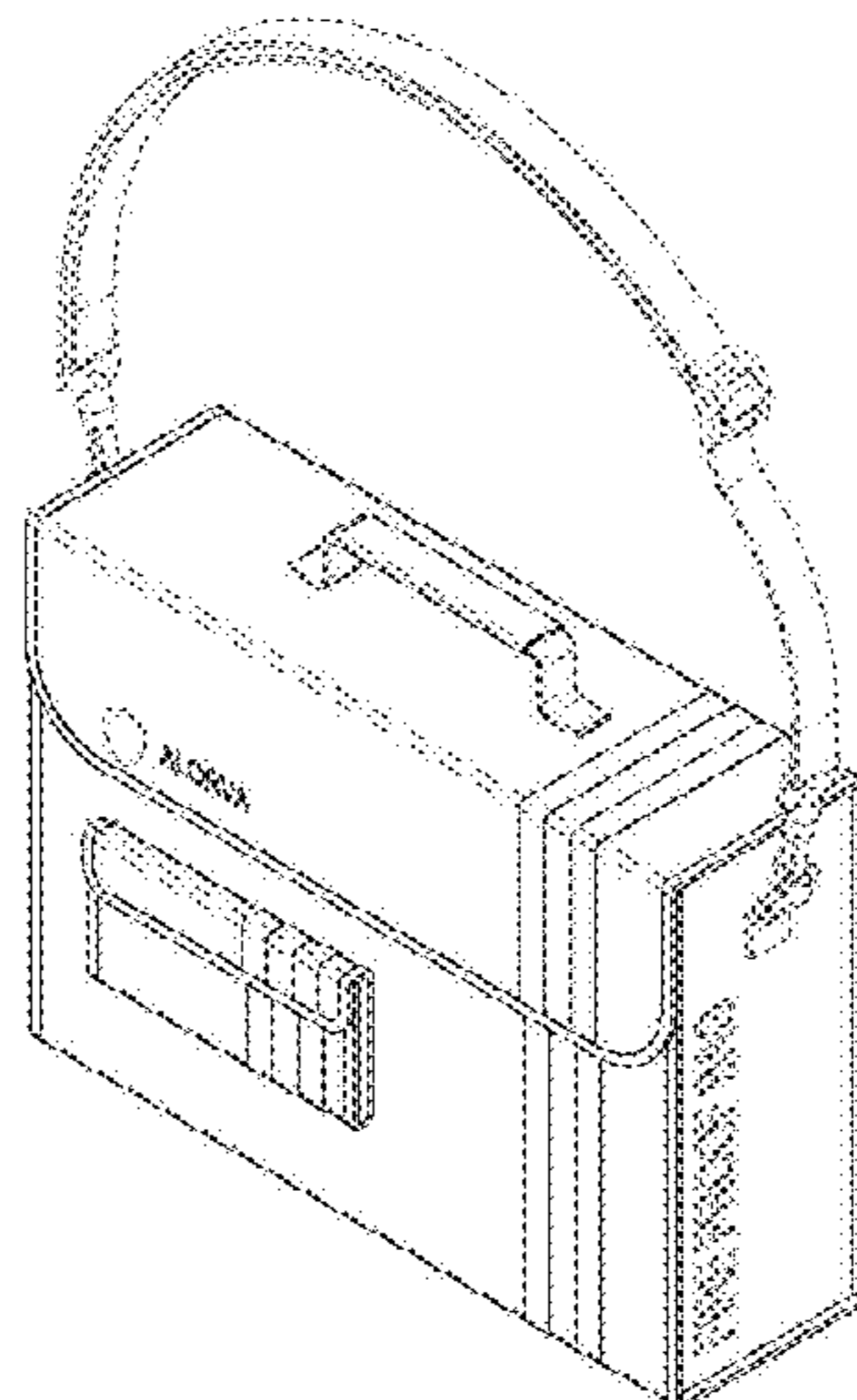
(57) **CLAIM**

We claim the ornamental design for a fireproof bag, substantially as shown and described.

DESCRIPTION

FIG. 1 is a top, perspective view of the fireproof bag, showing our new design;
FIG. 2 is a front elevation view thereof;
FIG. 3 is a side elevation view thereof;
FIG. 4 is a side elevation view thereof;
FIG. 5 is a rear elevation view thereof;
FIG. 6 is a top view thereof;
FIG. 7 is a bottom view thereof; and,
FIG. 8 is a perspective view thereof.
The broken lines show portions of the fireproof bag that form no part of the claimed design.

1 Claim, 8 Drawing Sheets



(56)

References Cited

U.S. PATENT DOCUMENTS

5,931,270 A * 8/1999 Mitchell A45C 13/26
 150/108
 D482,241 S * 11/2003 Tyler D7/607
 D494,757 S * 8/2004 Hinds D3/287
 D602,688 S * 10/2009 Smith D3/233
 D627,166 S * 11/2010 Fahim D3/287
 D796,841 S * 9/2017 Schartle D3/285
 D816,325 S * 5/2018 Wei D3/206
 D821,745 S * 7/2018 Dumas D3/232
 D831,498 S * 10/2018 Zhang D9/702
 D869,846 S * 12/2019 Liu D3/301
 D873,565 S * 1/2020 Long D3/290
 10,617,188 B1 * 4/2020 Hooks G08B 21/0297
 D899,090 S * 10/2020 Zhang D3/299
 D900,466 S * 11/2020 McGrath D3/203.3
 D904,759 S * 12/2020 Girard-Tremblay D3/273
 2003/0155268 A1 * 8/2003 Wang A45C 3/001
 206/522

2005/0072824 A1 * 4/2005 Lee B60R 7/043
 224/585
 2007/0199966 A1 * 8/2007 Korchmar A45C 3/06
 224/578
 2008/0251339 A1 * 10/2008 Williams A45C 7/0086
 190/102
 2014/0352858 A1 * 12/2014 DeWitt A45C 7/0045
 150/110
 2020/0352300 A1 * 11/2020 Sube A45C 15/00

OTHER PUBLICATIONS

ROLOWAY Fireproof Document & Money Bags, first available Aug. 17, 2018, amazon.com [online], [site visited Jan. 8, 2021], Internet URL exceeds character limit of PTO-892; see written Office Action (Year: 2018).*

BALLY Laptop Bag With Stripe Trim In Black, first available Jul. 2017, modsens.com [online], [site visited Jan. 8, 2021], Available at internet URL: <https://modesens.com/product/BALLY-laptop-bag-with-Bally-Stripe-trim-2966163/> (Year: 2017).*

* cited by examiner

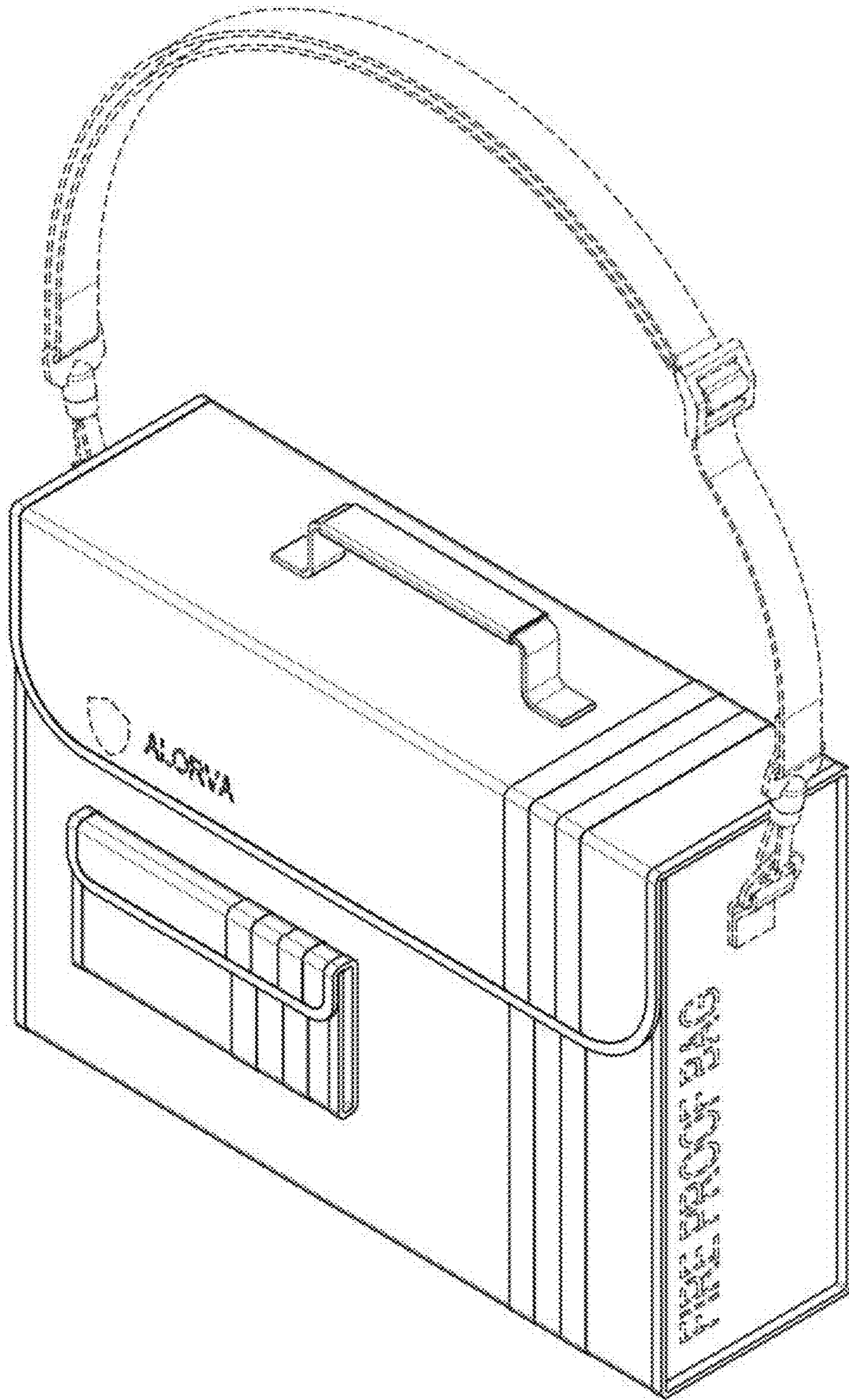


Fig. 1

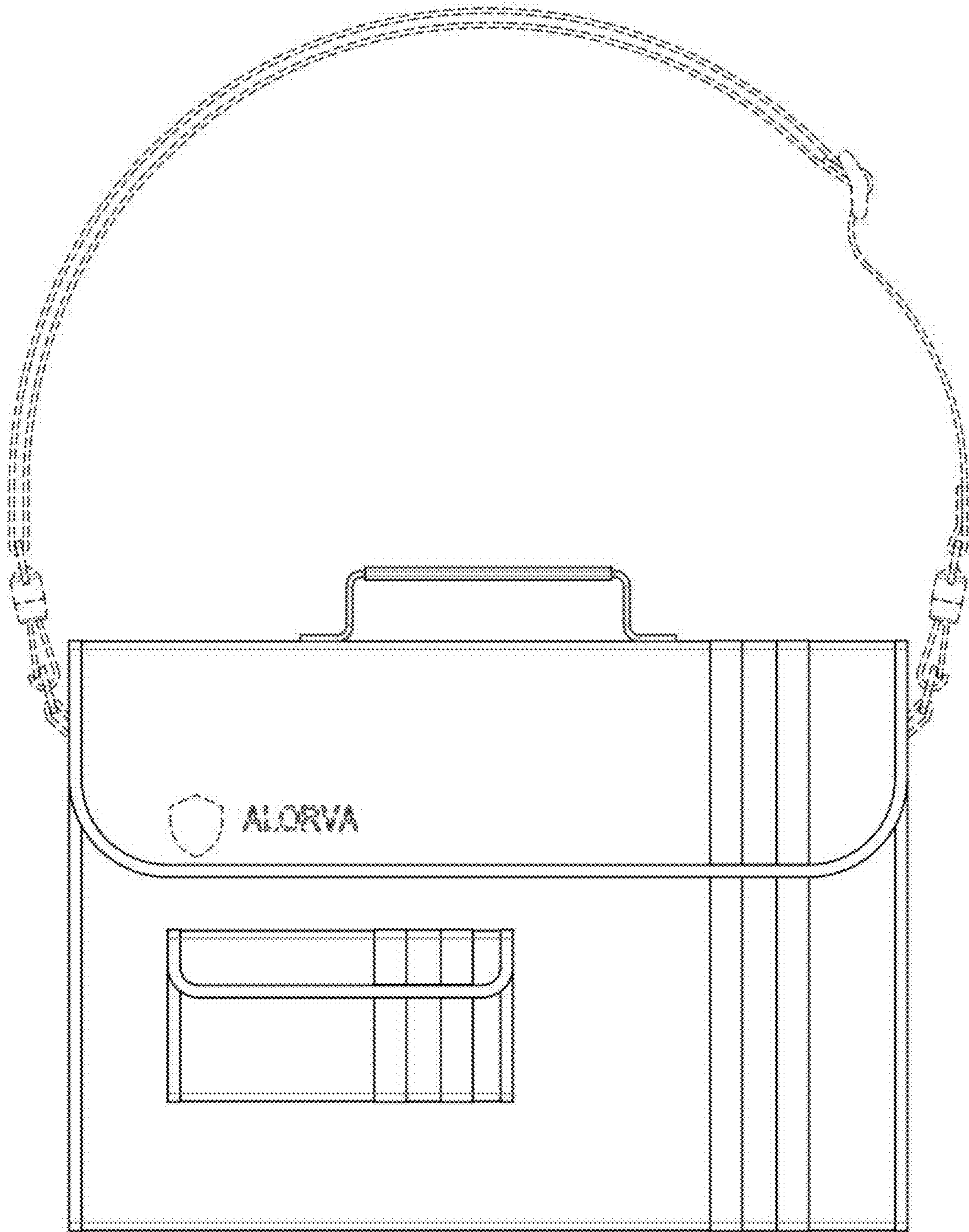


Fig. 2

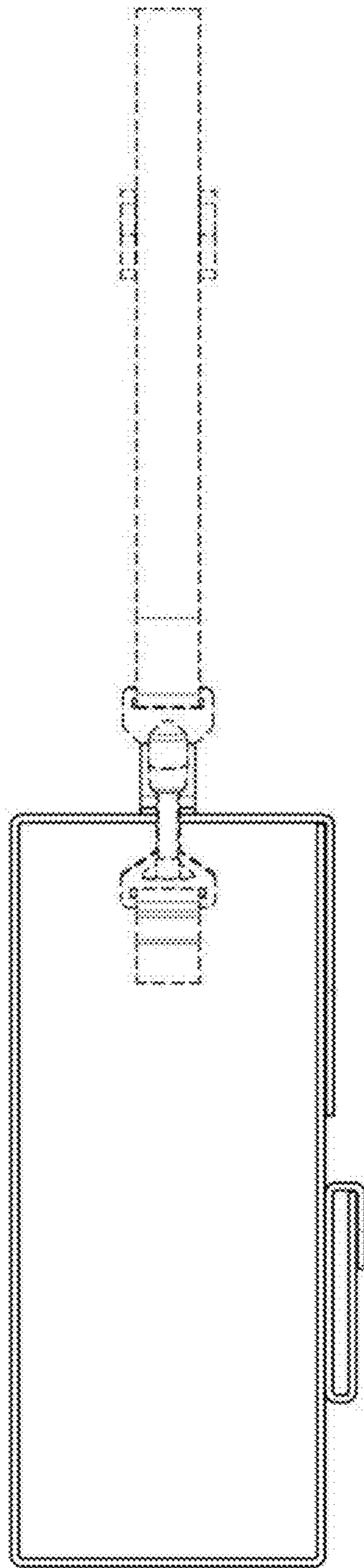


Fig. 3

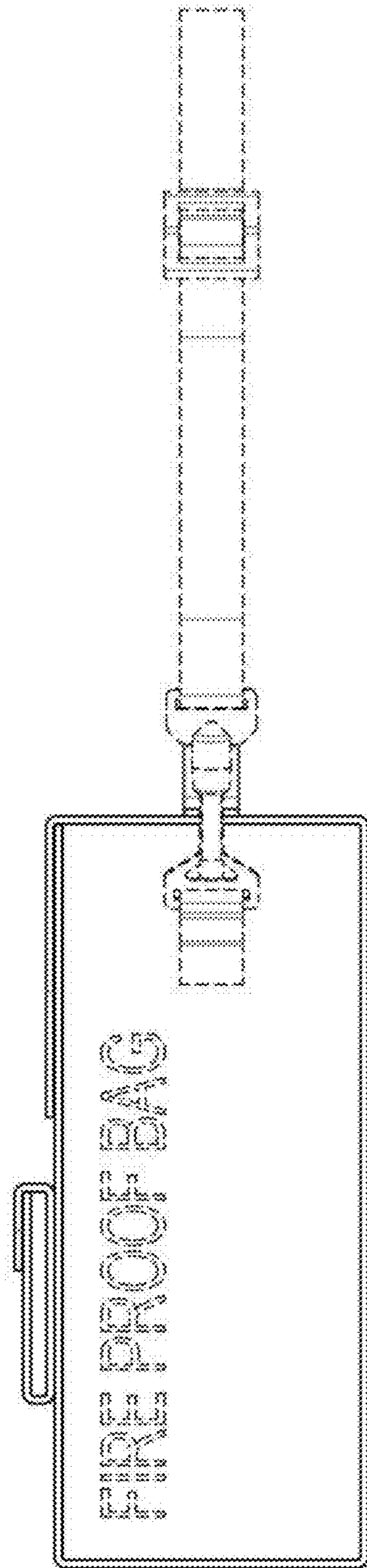


Fig. 4

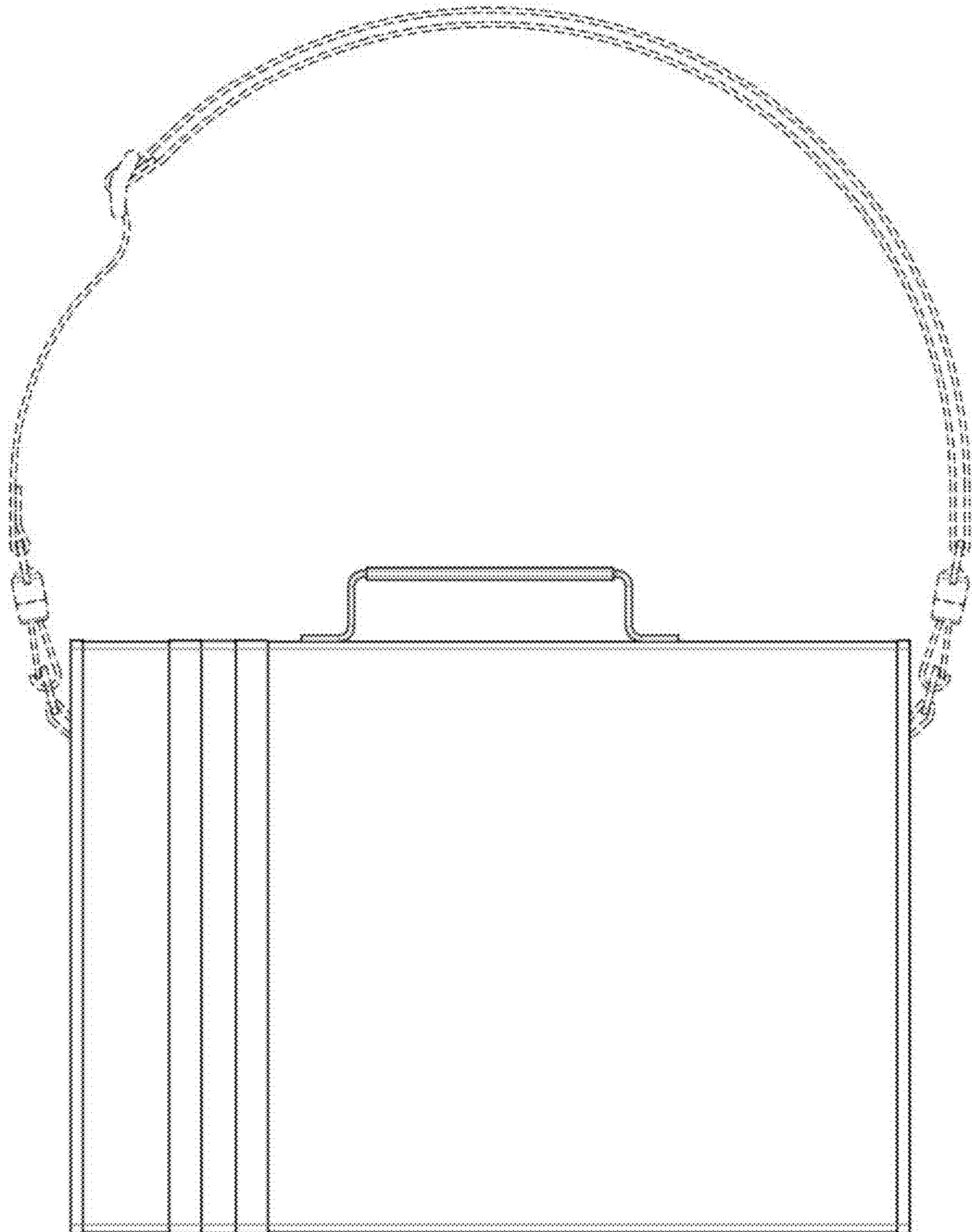


Fig. 5

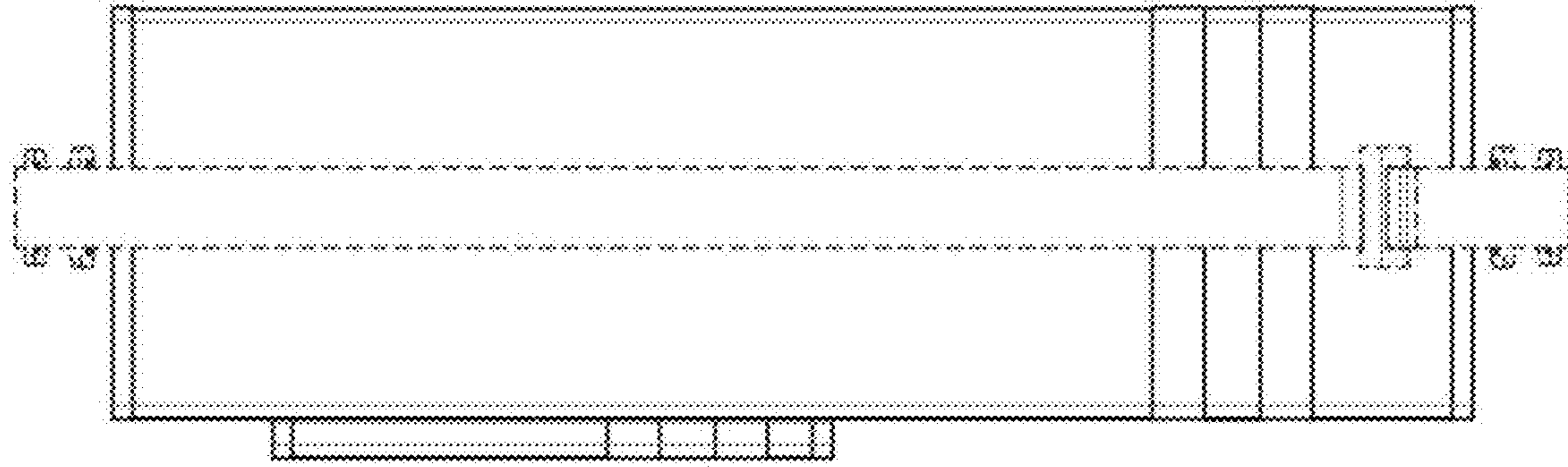


Fig. 6

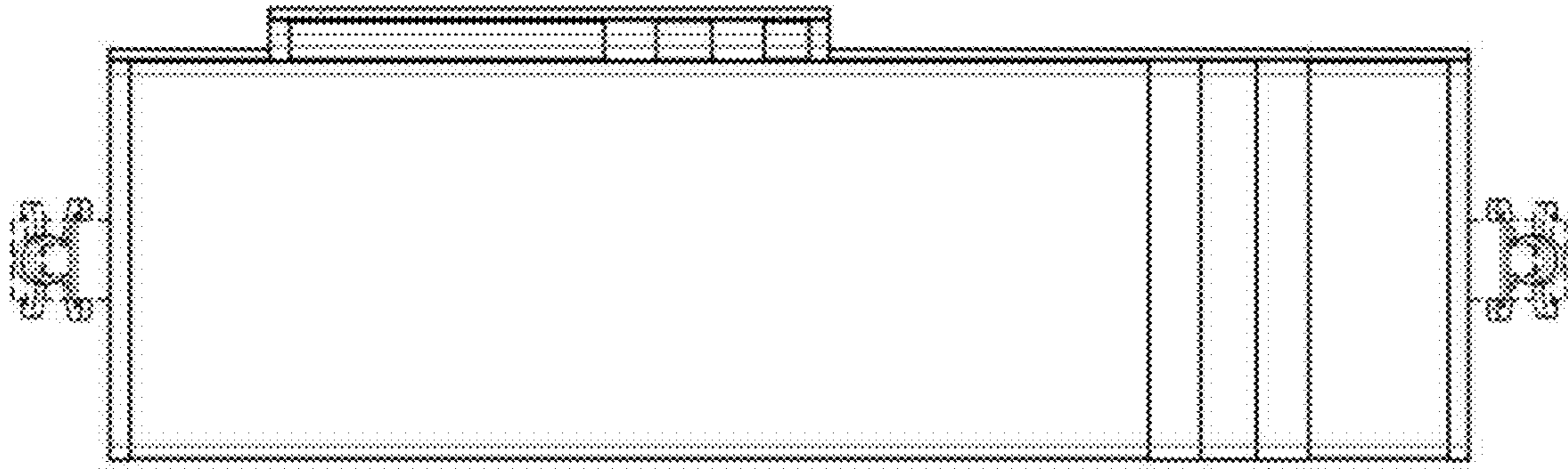


Fig. 7

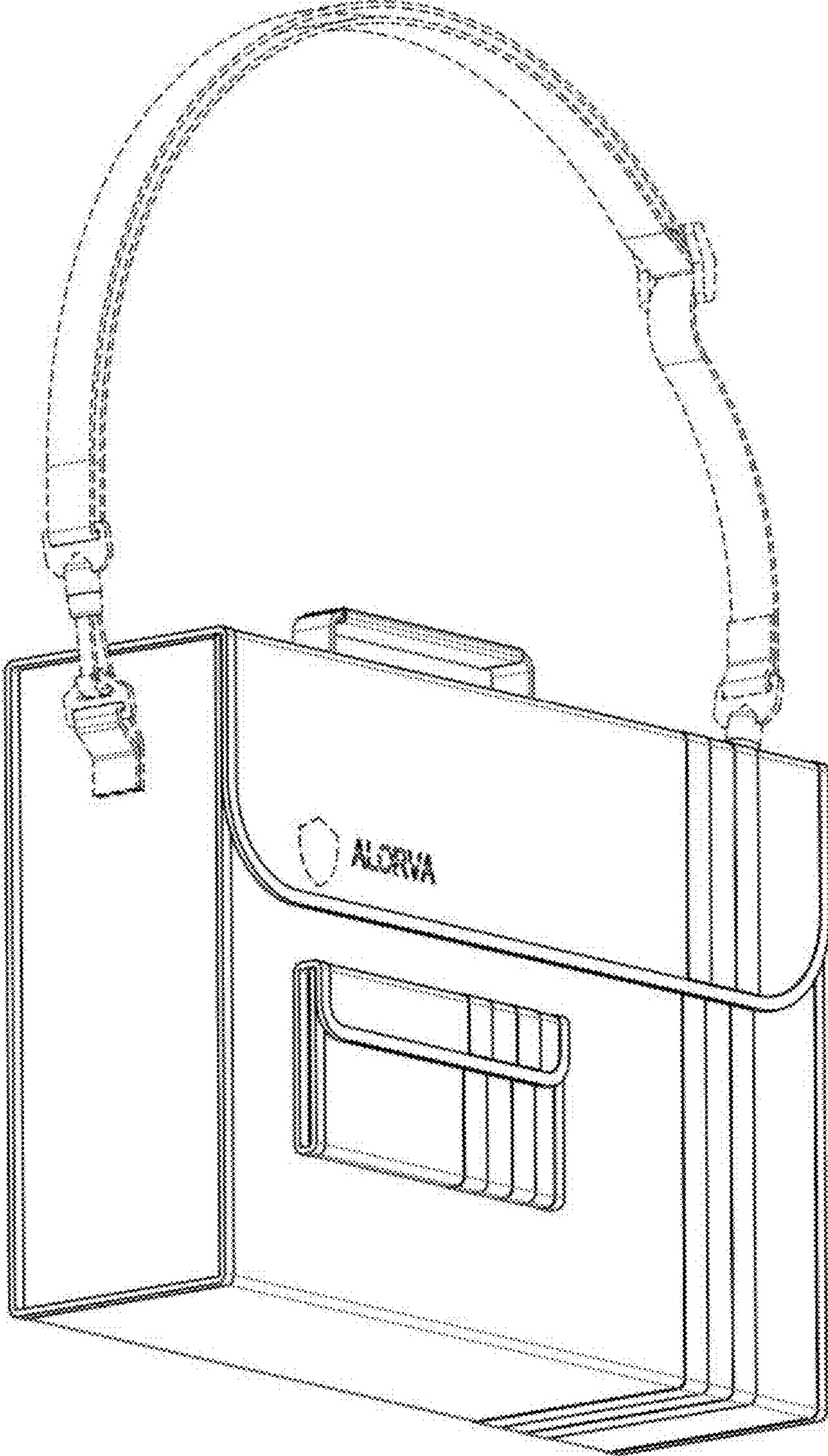


Fig. 8