



US00D917166S

(12) **United States Design Patent**  
**Eskridge**

(10) **Patent No.:** **US D917,166 S**  
(45) **Date of Patent:** **\*\* Apr. 27, 2021**

(54) **CONTAINER**

(71) Applicant: **BLACK & DECKER INC.**, New Britain, CT (US)

(72) Inventor: **Evan G. Eskridge**, Baltimore, MD (US)

(73) Assignee: **BLACK & DECKER INC.**, New Britain, CT (US)

(\*\*) Term: **15 Years**

(21) Appl. No.: **29/675,895**

(22) Filed: **Jan. 7, 2019**

(51) **LOC (13) Cl.** ..... **03-01**

(52) **U.S. Cl.**  
USPC ..... **D3/279**; D3/282

(58) **Field of Classification Search**  
USPC ..... D3/272, 273, 276, 279, 282, 294, 298,  
D3/905, 262, 302, 315  
CPC . B25H 3/02; B65D 1/24; B65D 25/06; B65D  
25/20; A45C 5/14  
See application file for complete search history.

(56) **References Cited**

**U.S. PATENT DOCUMENTS**

D844,325 S *	4/2019	Nelson	.....	D3/279
D846,875 S *	4/2019	Nelson	.....	D3/282
D884,347 S *	5/2020	Nelson	.....	D3/318
D887,138 S *	6/2020	Feng	.....	D3/279
2014/0197059 A1 *	7/2014	Evans	.....	B25H 3/02 206/349

**OTHER PUBLICATIONS**

Lowe's, "Commander 20-Gallon (80-Quart) Black and Yellow Footlocker with Latching Lid", First reviewed on Sep. 27, 2018. (<https://www.lowes.com/pd/COMMANDER-20-Gallon-80-Quart-Black-and-Yellow-Footlocker-with-Latching-Lid/1000421925>) (Year: 2018).\*

Lowe's, "Craftsman 50-Gallon (200-Quart) Black Tote with Latching Lid", First reviewed Jul. 1, 2019. (<https://www.lowes.com/pd/CRAFTSMAN-50-Gallon-200-Quart-Black-Tote-with-Latching-Lid/1000976084>) (Year: 2019).\*

\* cited by examiner

*Primary Examiner* — April Rivas

(74) *Attorney, Agent, or Firm* — Adan Ayala

(57) **CLAIM**

The ornamental design for a container, as shown and described.

**DESCRIPTION**

FIG. 1 is a front perspective view of a container according to the invention.

FIG. 2 is a front view of the container of FIG. 1.

FIG. 3 is a rear view of the container of FIG. 1.

FIG. 4 is a right side view of the container of FIG. 1.

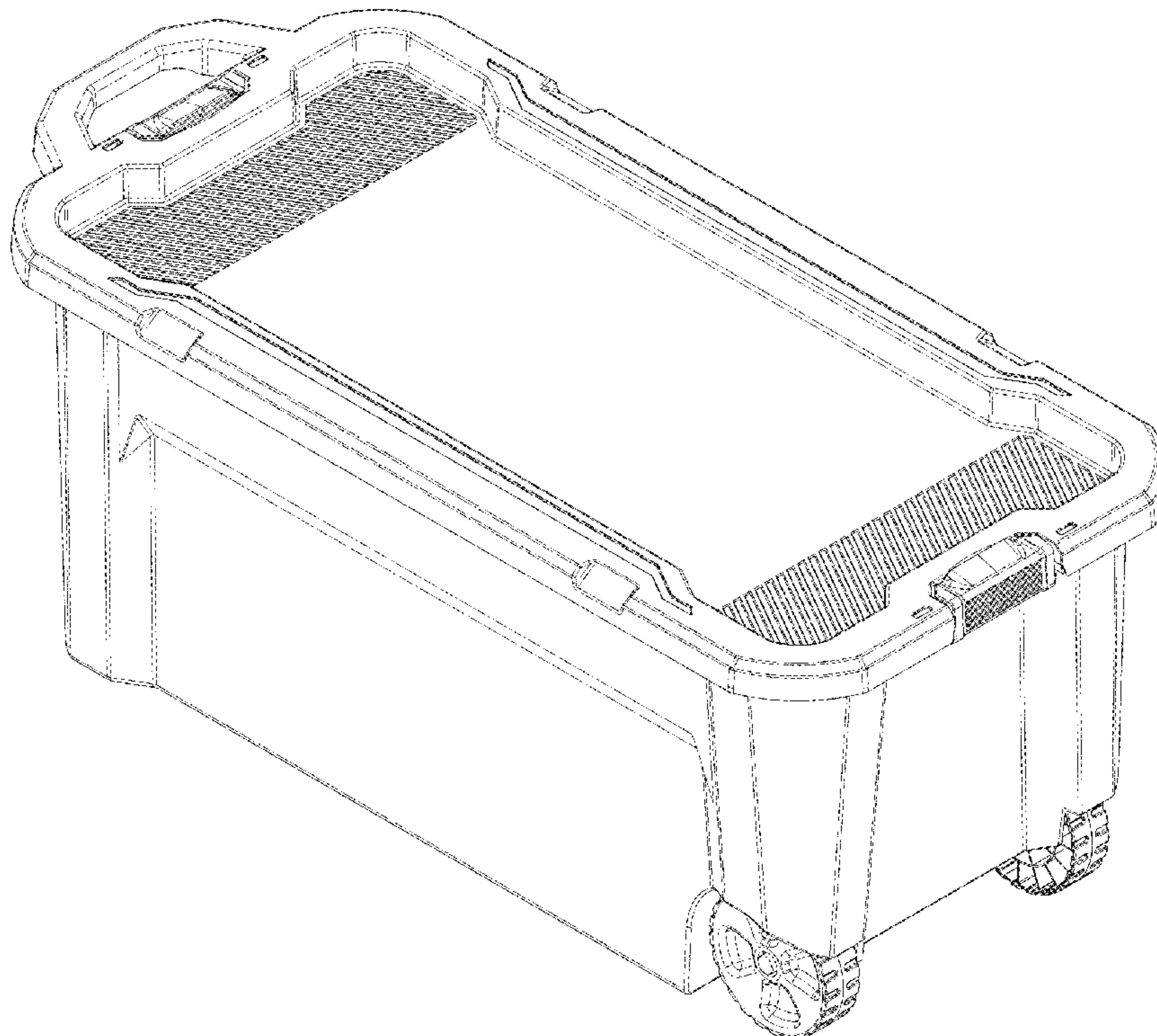
FIG. 5 is a left side view of the container of FIG. 1.

FIG. 6 is a top plan view of the container of FIG. 1; and,

FIG. 7 is a bottom plan view of the container of FIG. 1.

The broken lines illustrate portions of the container and form no part of the claimed design.

**1 Claim, 7 Drawing Sheets**



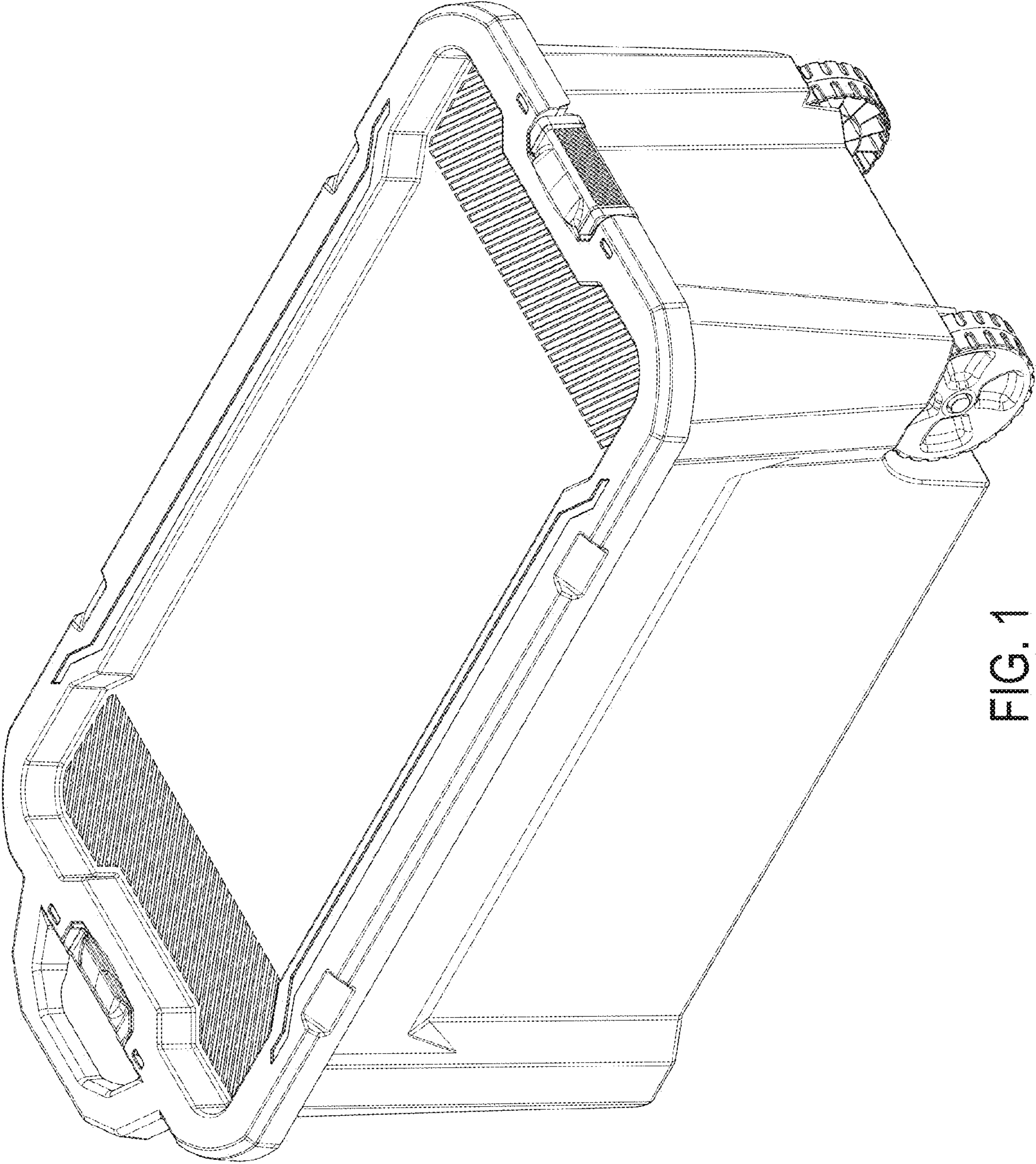


FIG. 1

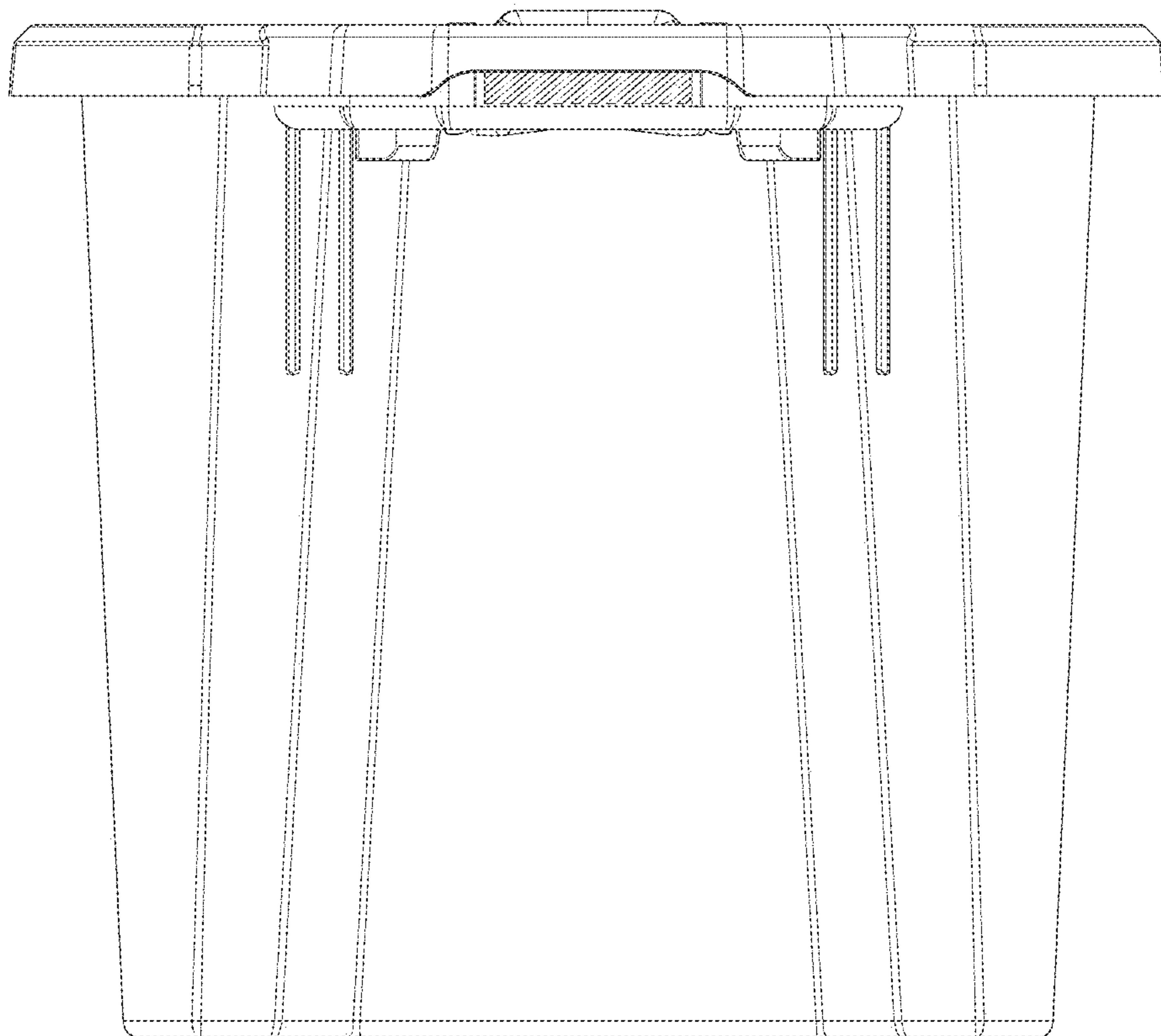


FIG. 2



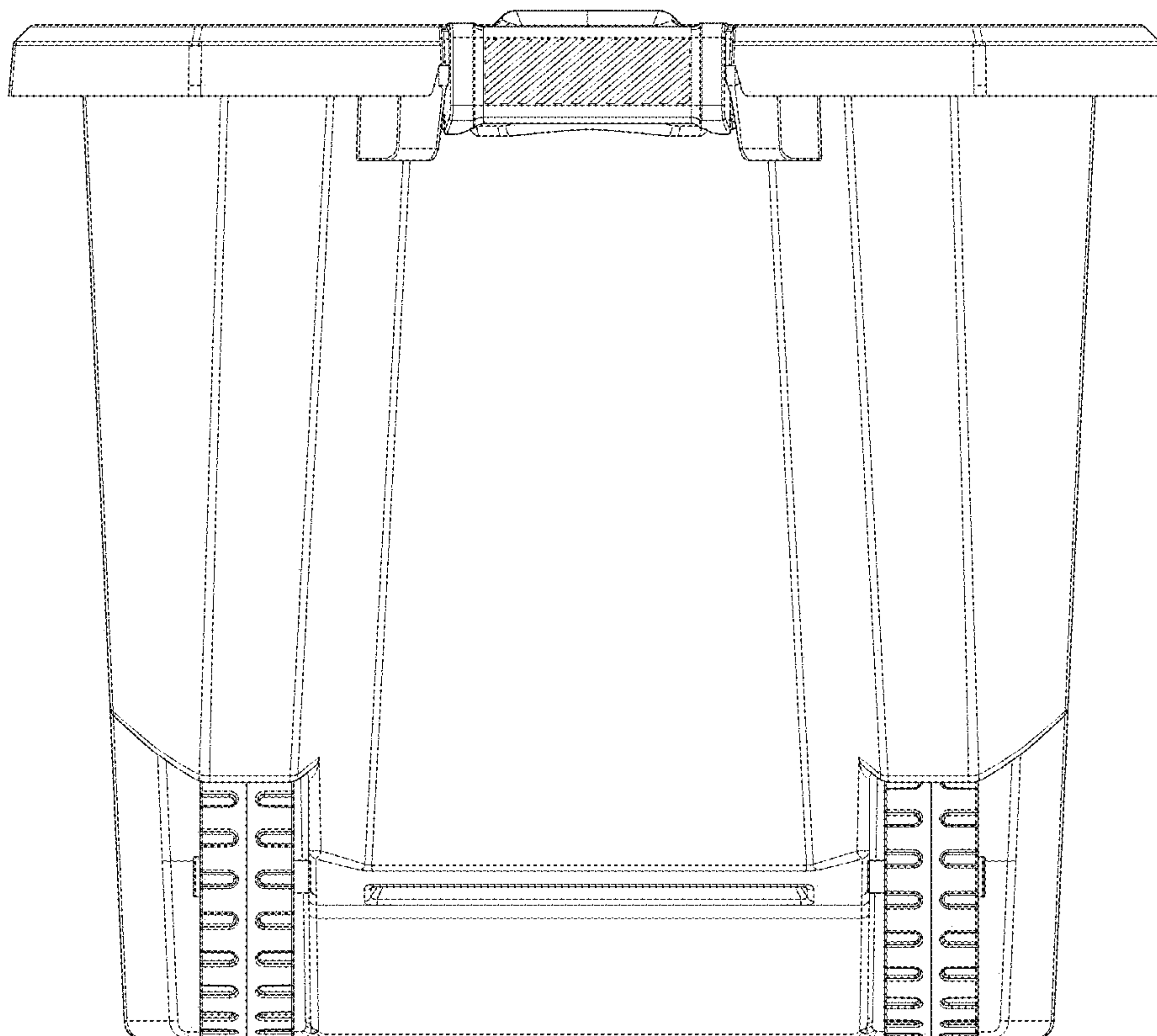


FIG. 3

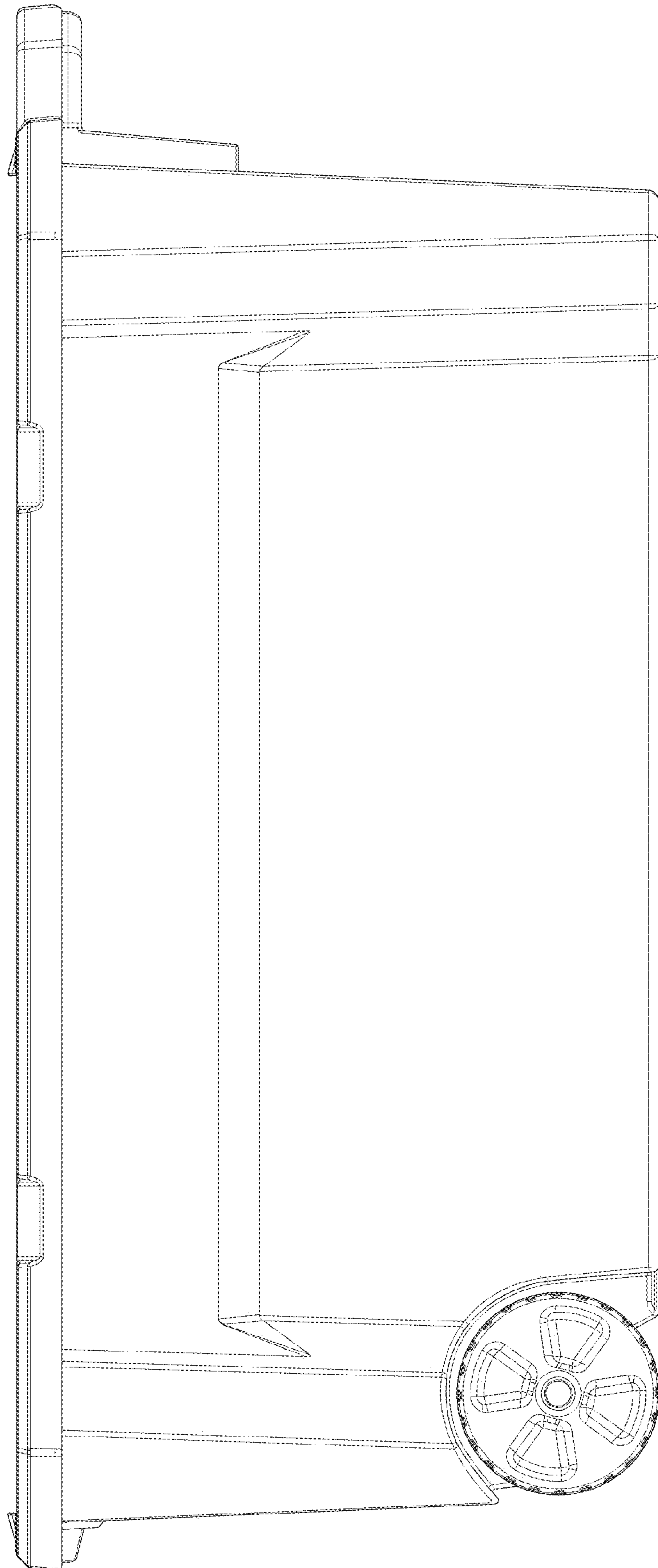


FIG. 4

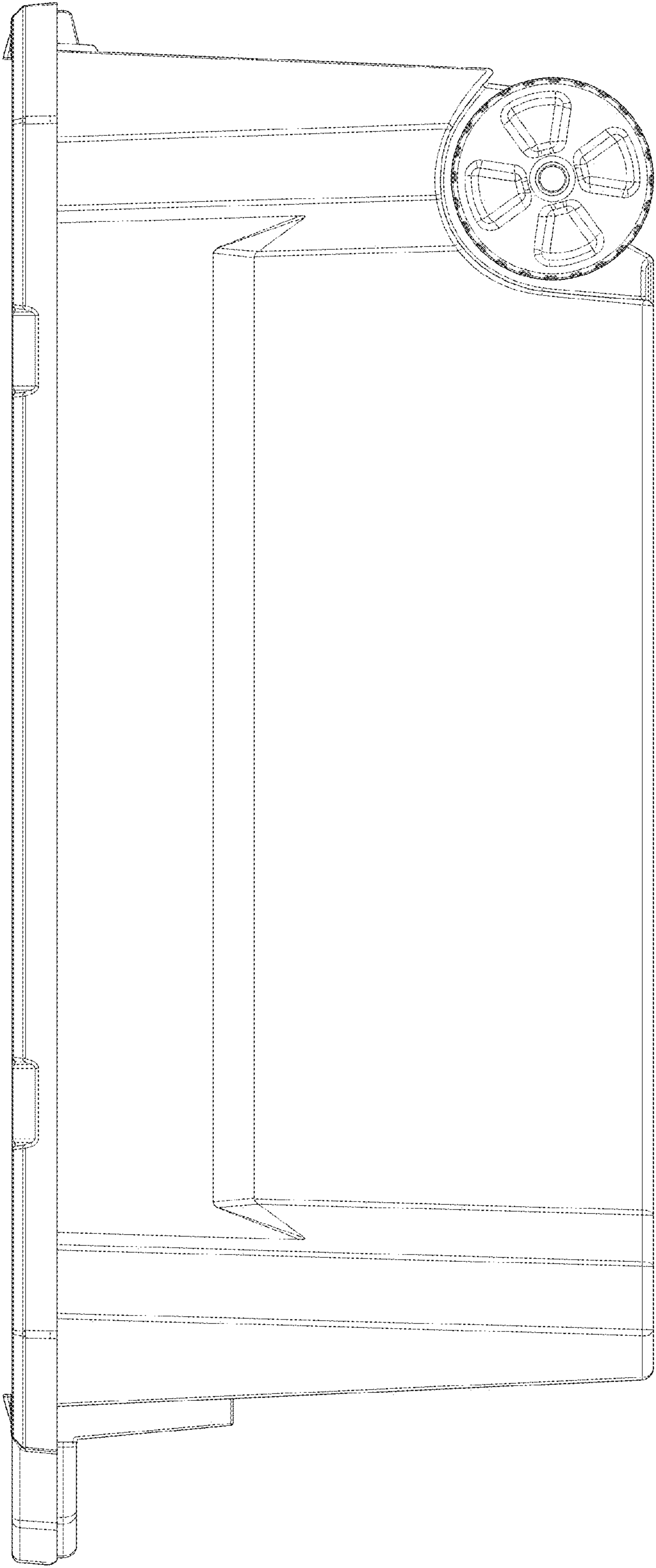


FIG. 5



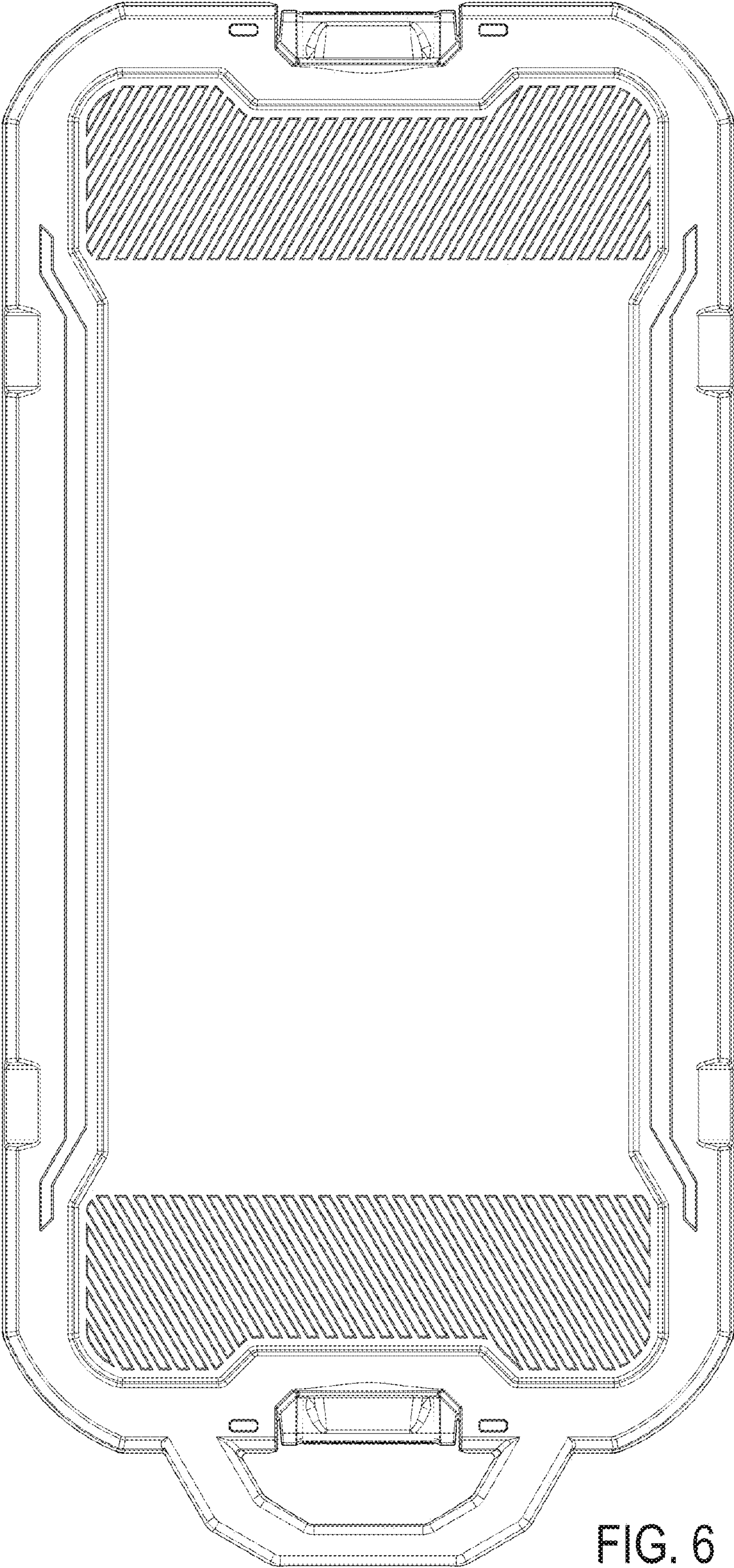


FIG. 6

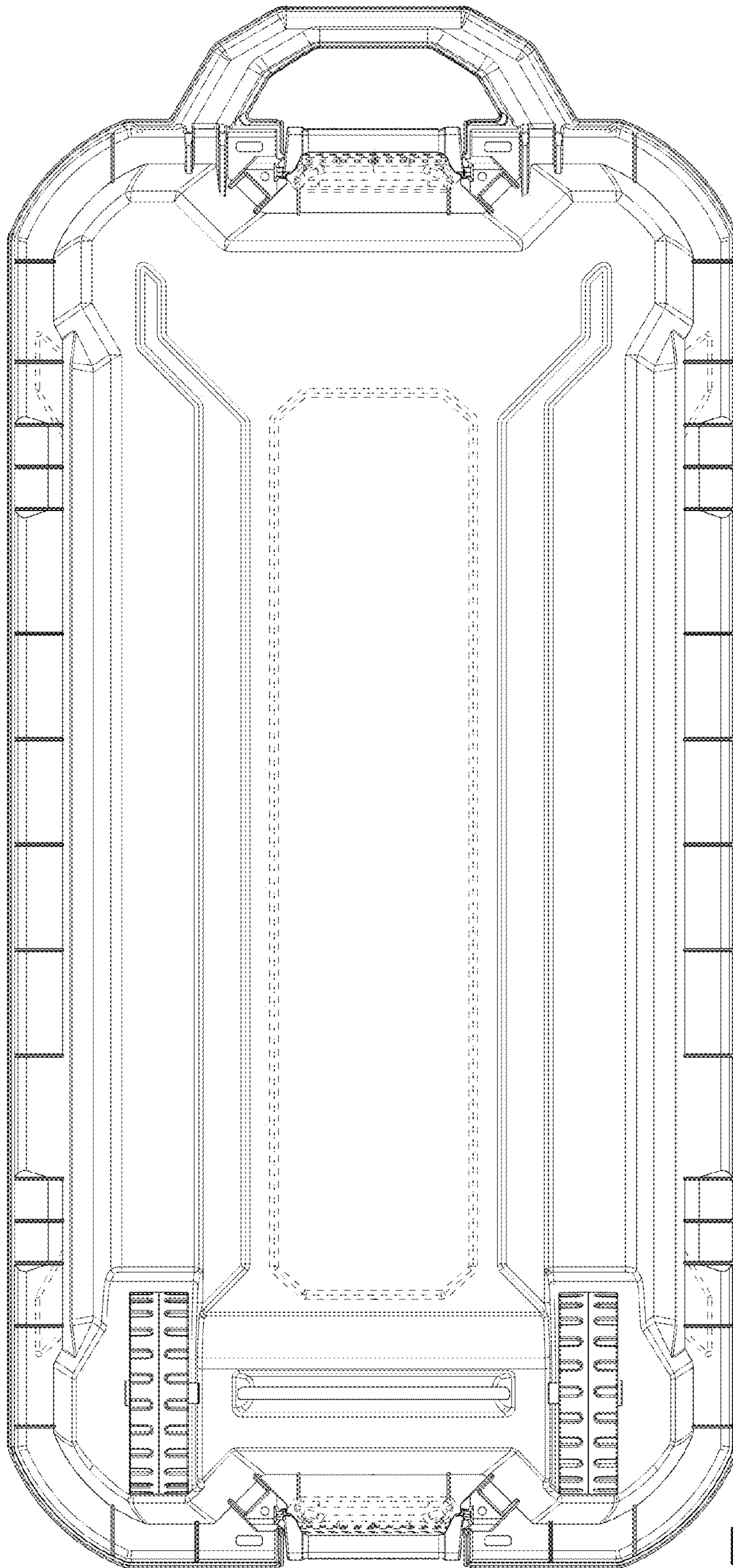


FIG. 7