



US00D917164S

(12) **United States Design Patent**
Zhang

(10) **Patent No.:** **US D917,164 S**

(45) **Date of Patent:** **** *Apr. 27, 2021**

(54) **LAPTOP BAG**

D824,665 S * 8/2018 Spaziani D3/232

* cited by examiner

(71) Applicant: **Pan Zhang**, Guangdong (CN)

Primary Examiner — Holly H Baynham

(72) Inventor: **Pan Zhang**, Guangdong (CN)

(74) *Attorney, Agent, or Firm* — Novoclaims Patent Services LLC; Mei Lin Wong

(*) Notice: This patent is subject to a terminal disclaimer.

(57) **CLAIM**

The ornamental design for a laptop bag, as shown and described.

(**) Term: **15 Years**

DESCRIPTION

(21) Appl. No.: **29/692,948**

FIG. 1 is a perspective view of the outer surface of a laptop bag showing my new design;

(22) Filed: **May 29, 2019**

FIG. 2 is a front elevation view of FIG. 1;

(30) **Foreign Application Priority Data**

Feb. 27, 2019 (CN) 201930078522.7

FIG. 3 is a rear elevation view of FIG. 1;

(51) **LOC (13) Cl.** **03-01**

FIG. 4 is a left side elevation view of FIG. 1;

(52) **U.S. Cl.**
USPC **D3/245**

FIG. 5 is a right side elevation view of FIG. 1;

(58) **Field of Classification Search**
USPC D3/232–233, 240–243, 245–246
CPC A45C 1/024; A45C 3/06
See application file for complete search history.

FIG. 6 is a top plan view of FIG. 1;

FIG. 7 is a bottom plan view of FIG. 1;

FIG. 8 is a perspective view of the inner surface of a laptop bag showing my new design;

FIG. 9 is a front elevation view of FIG. 8;

FIG. 10 is a rear elevation view of FIG. 8;

FIG. 11 is a left side elevation view of FIG. 8;

FIG. 12 is a right side elevation view of FIG. 8;

FIG. 13 is a top plan view of FIG. 8; and,

FIG. 14 is a bottom plan view of FIG. 8.

(56) **References Cited**

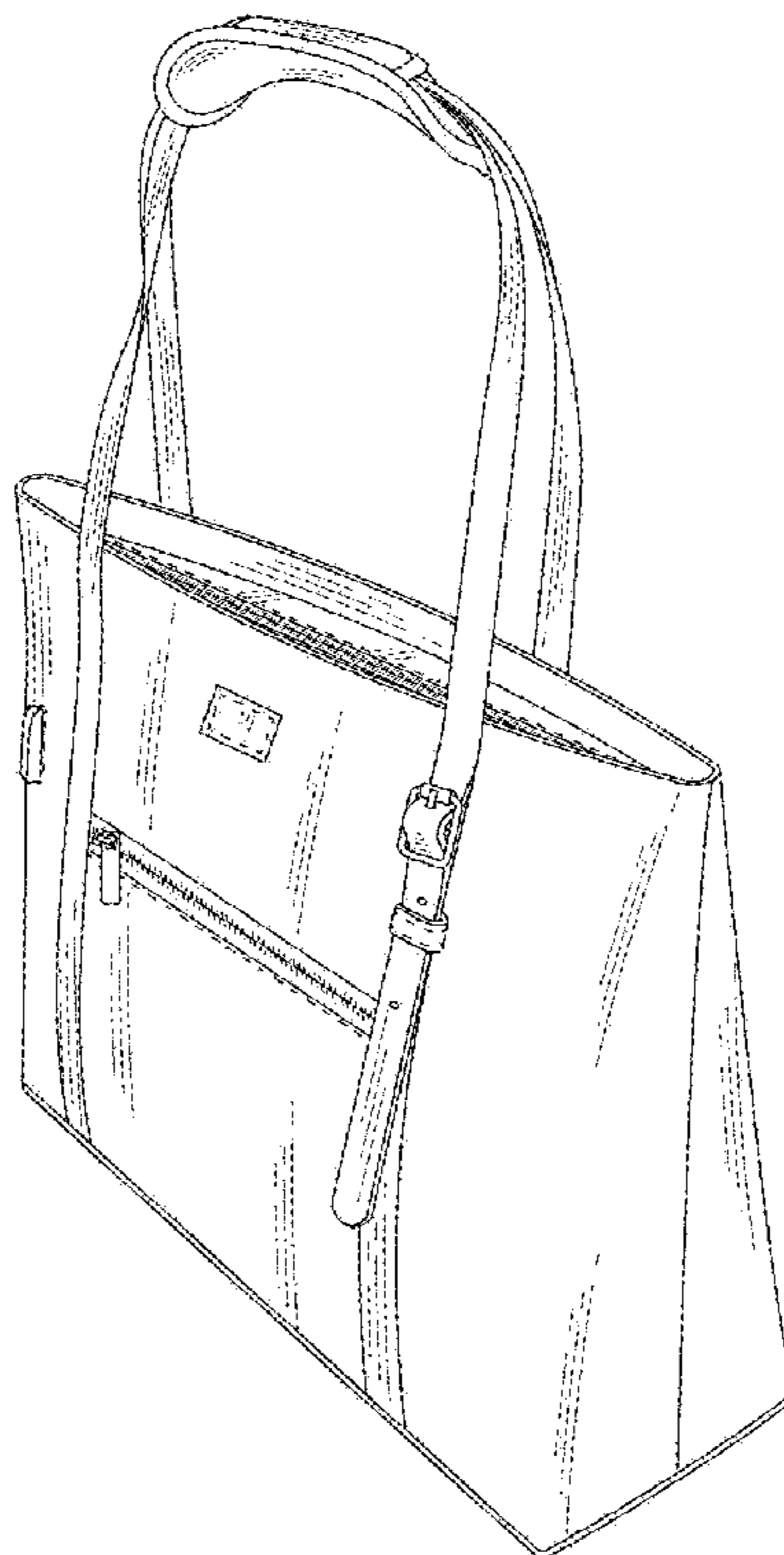
U.S. PATENT DOCUMENTS

| | | | | |
|--------------|--------|----------------|-------|--------|
| D572,472 S * | 7/2008 | Saconay-Duhart | | D3/246 |
| D587,010 S * | 2/2009 | Deck | | D3/246 |
| D785,325 S * | 5/2017 | Samrelius | | D3/246 |
| D787,823 S * | 5/2017 | Nair | | D3/232 |
| D789,080 S * | 6/2017 | Caffagni | | D3/232 |

It will be appreciated that since the structure inside the bag is soft, the external view of the bag and the internal view do not correspond exactly in size.

The broken lines in the figures illustrate stitching and form no part of the claimed design.

1 Claim, 14 Drawing Sheets



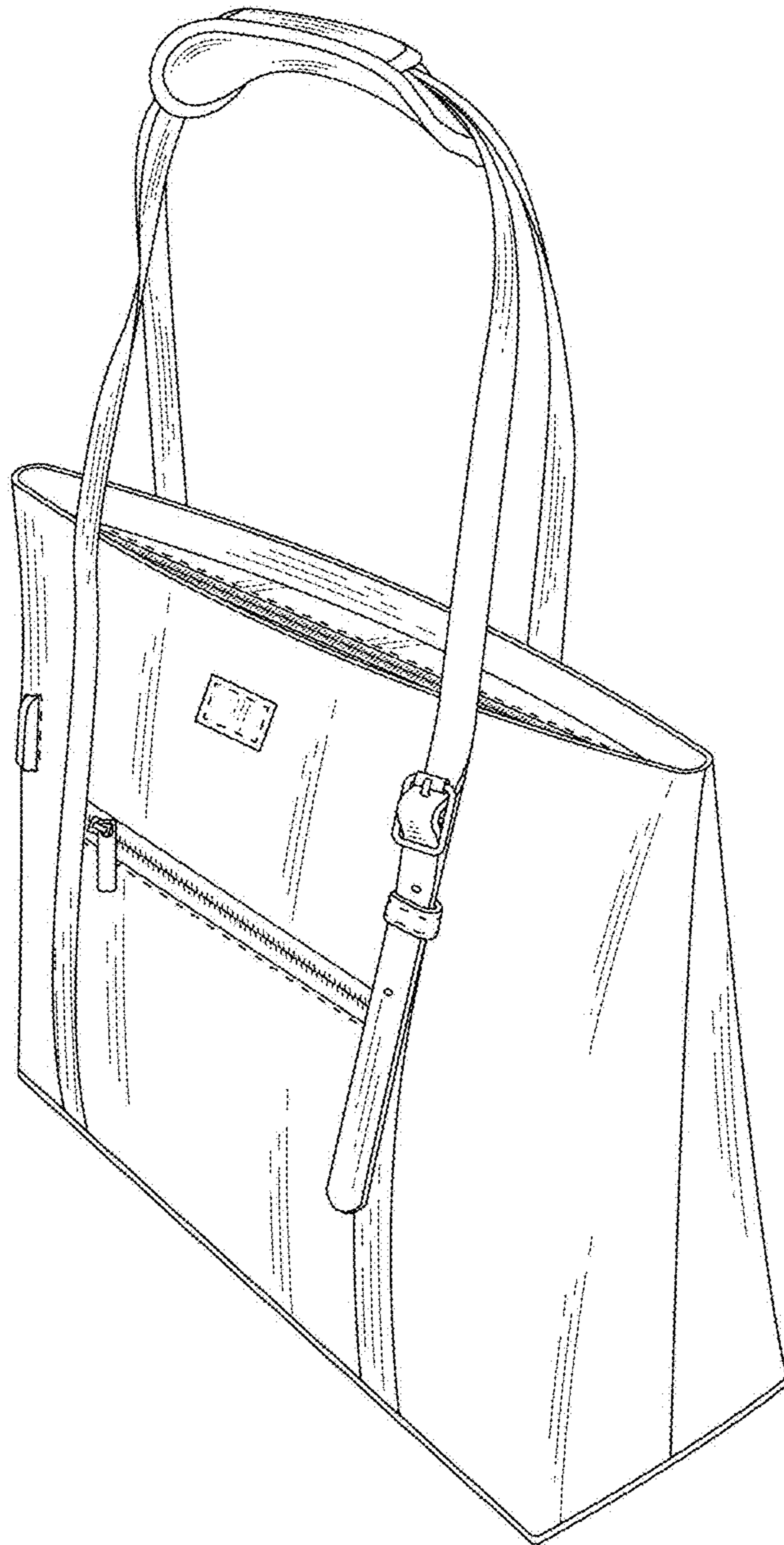


FIG.1

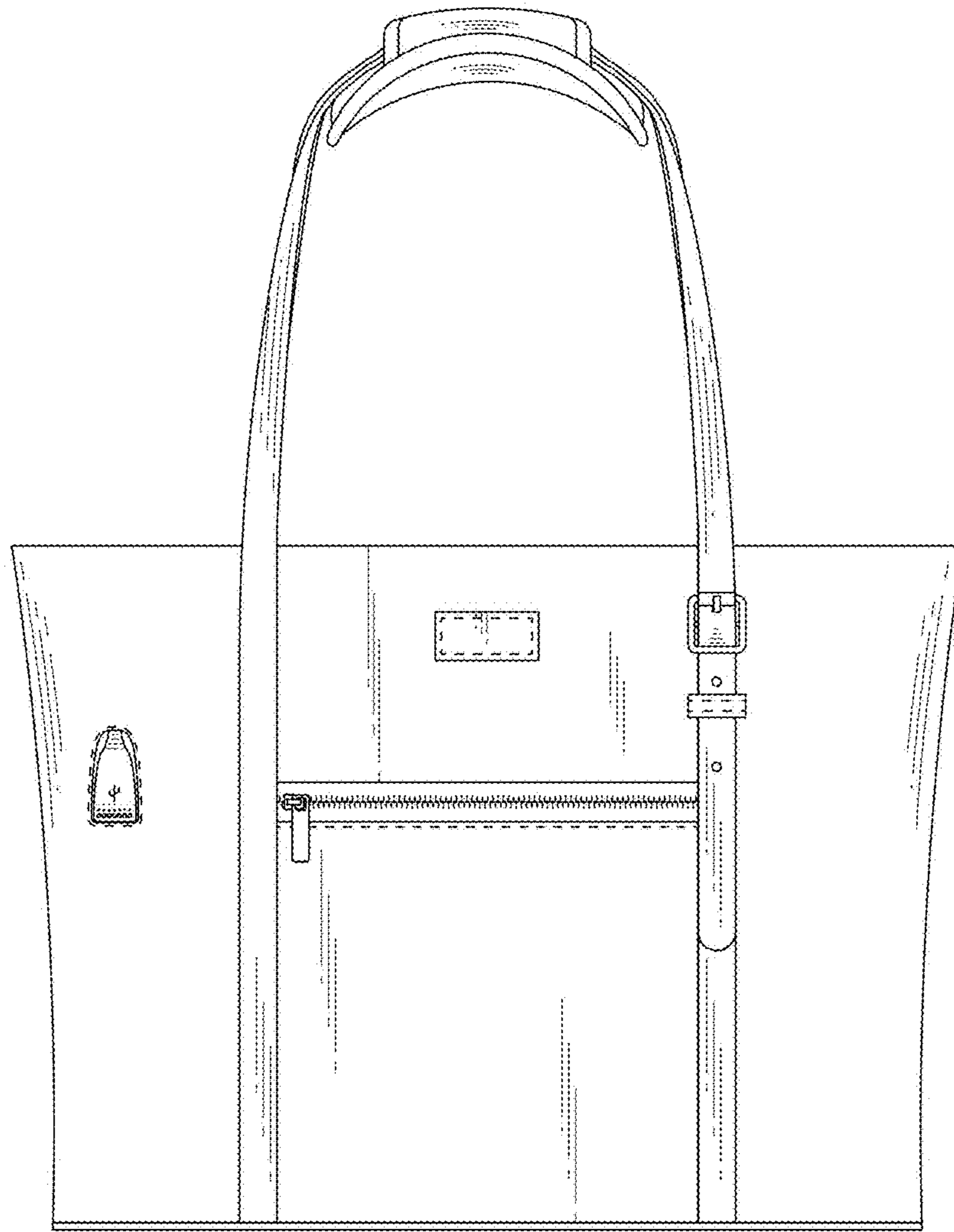


FIG.2

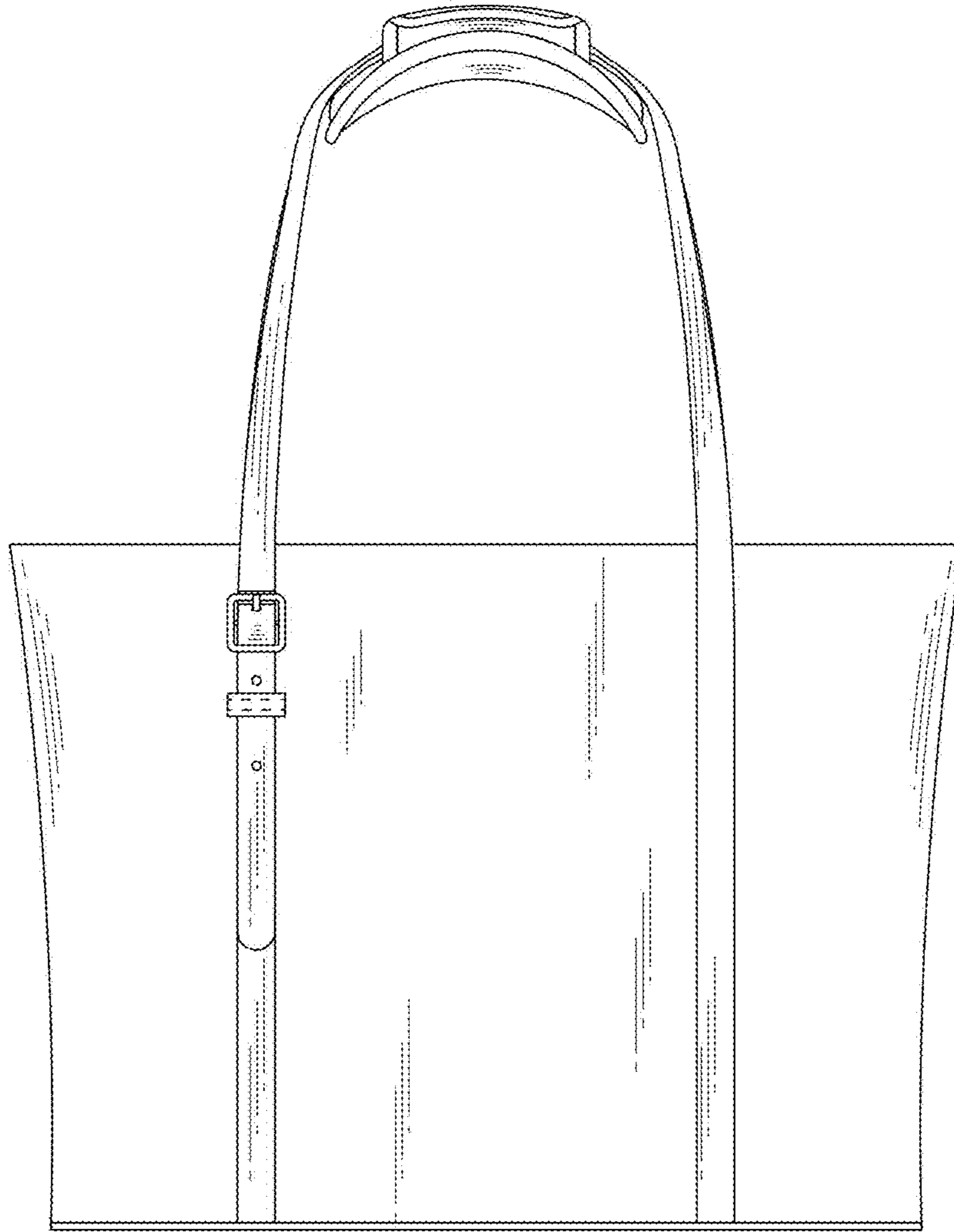


FIG.3

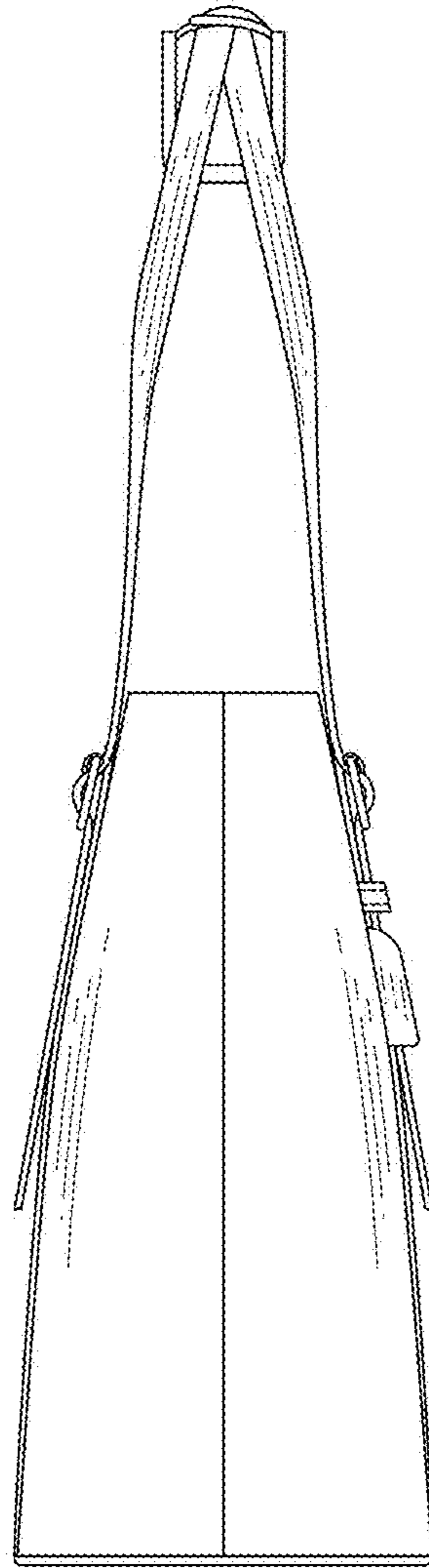


FIG.4

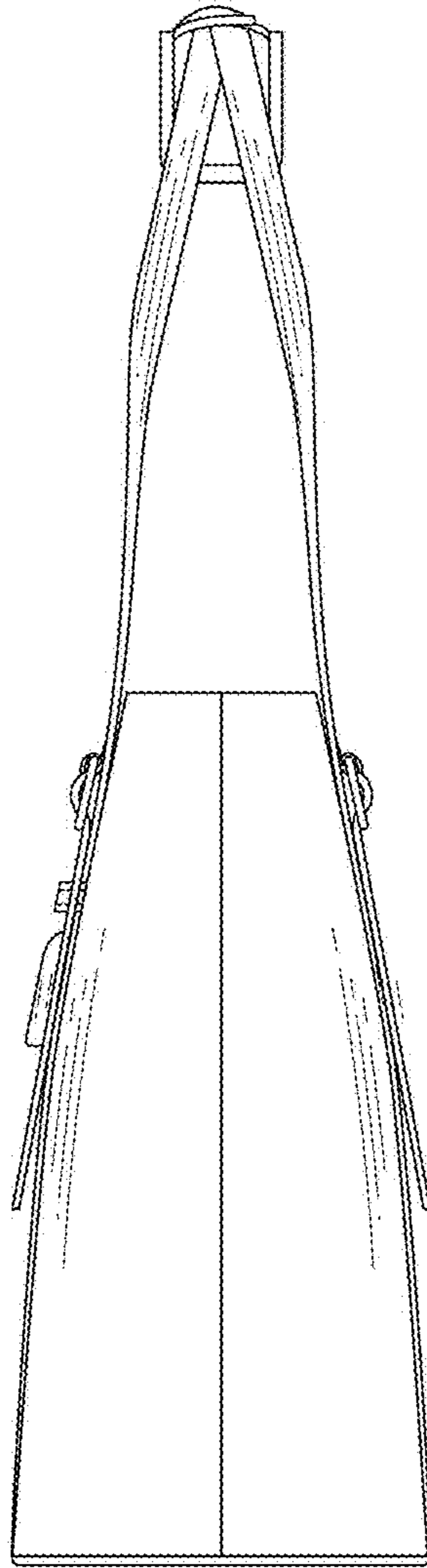


FIG. 5

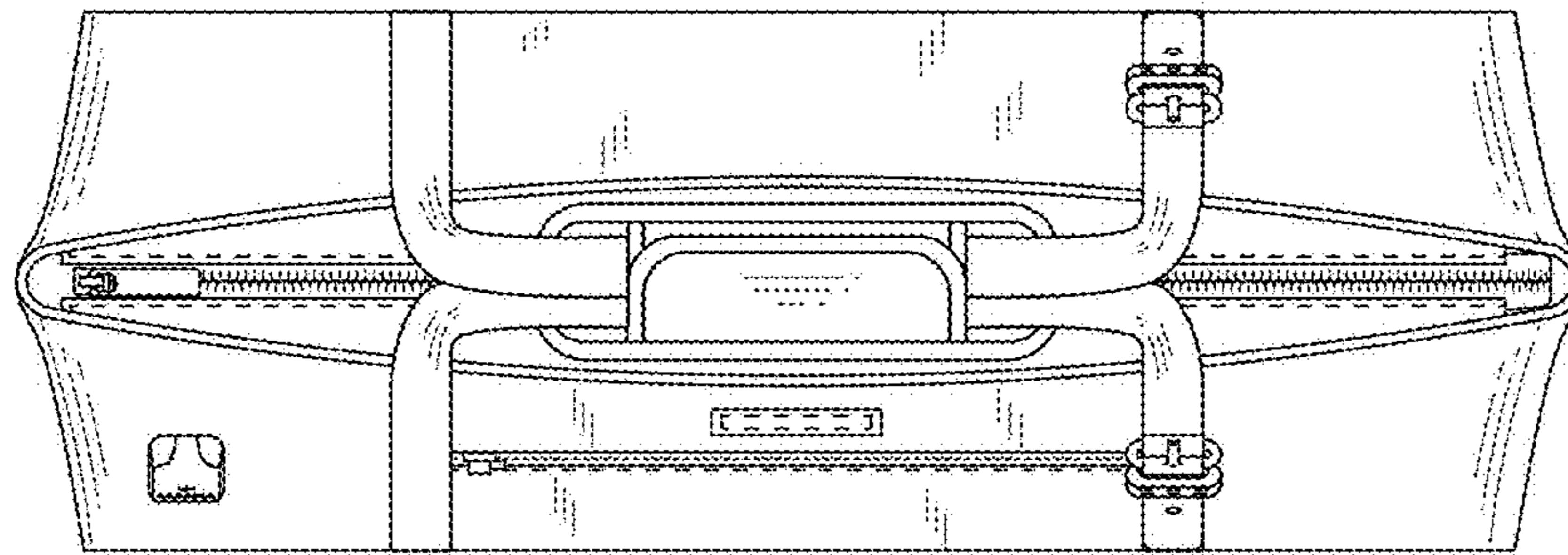


FIG. 6

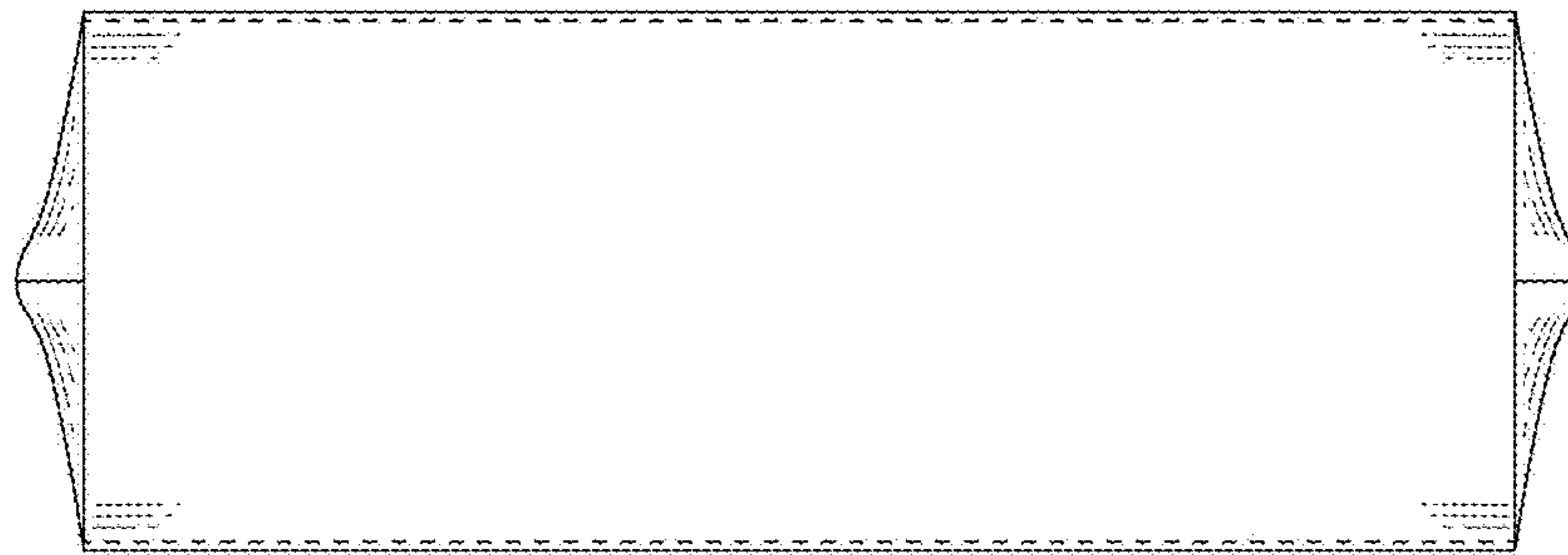


FIG. 7



FIG. 8



FIG. 9

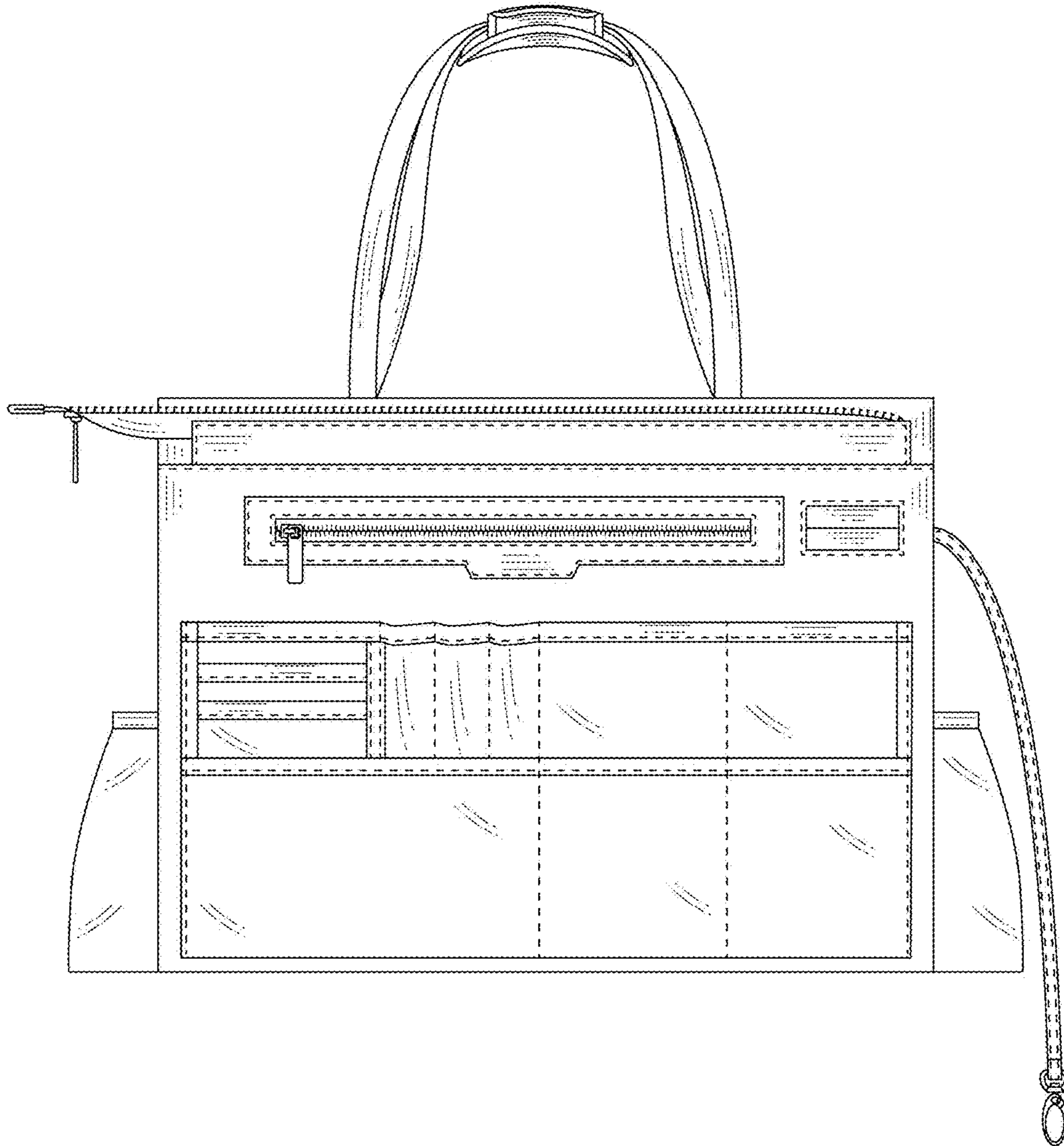


FIG. 10

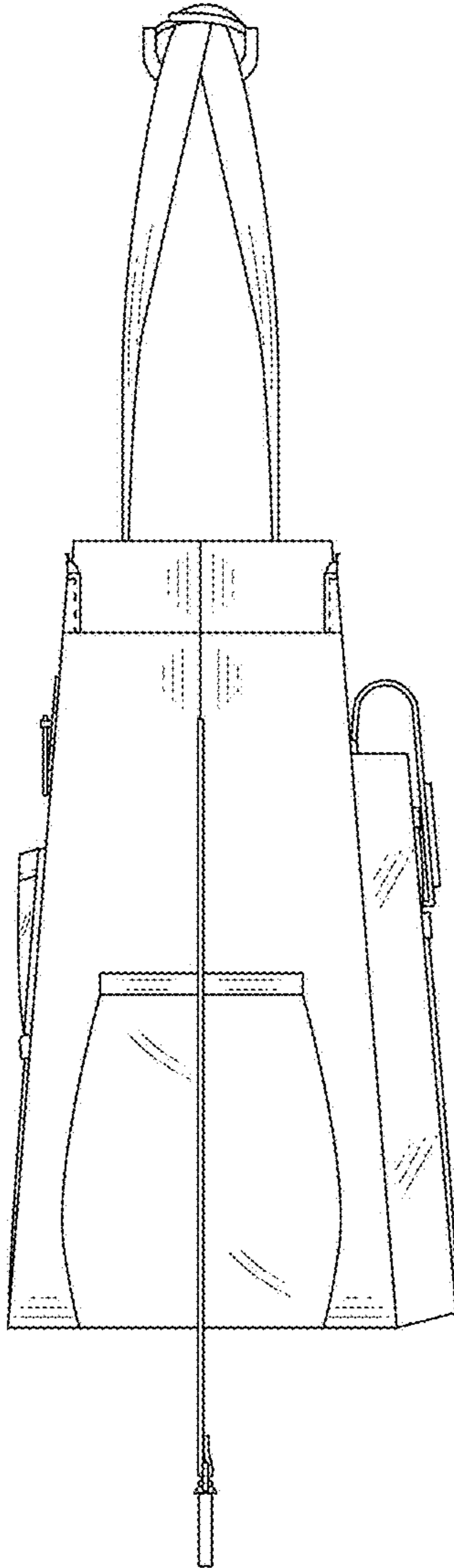


FIG. 11

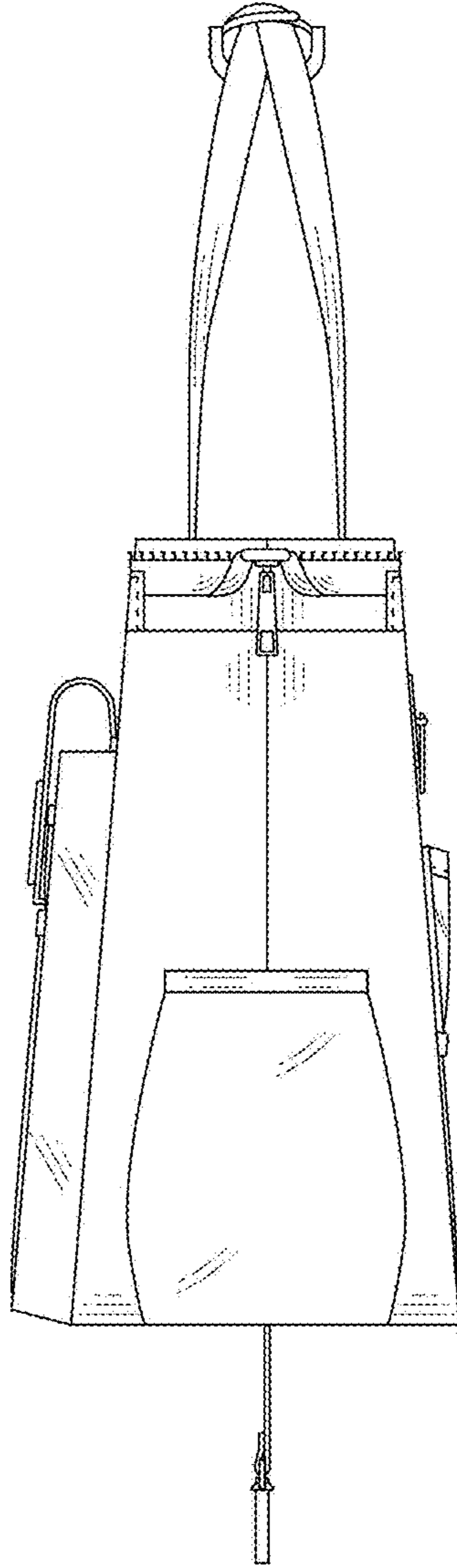


FIG. 12

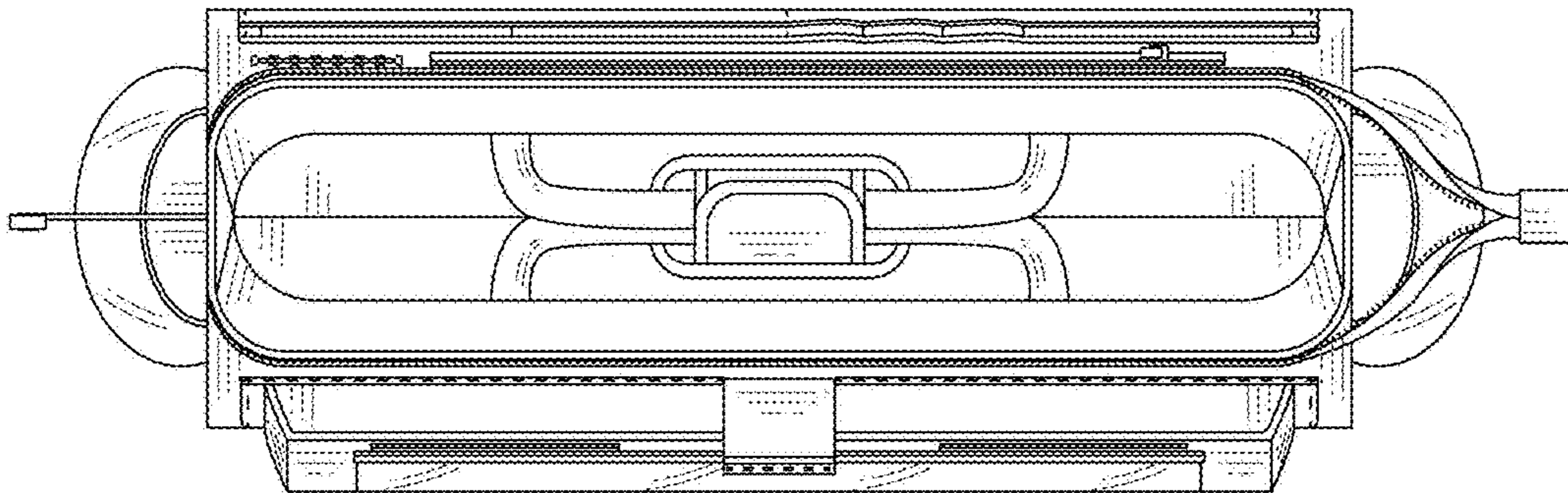


FIG. 13

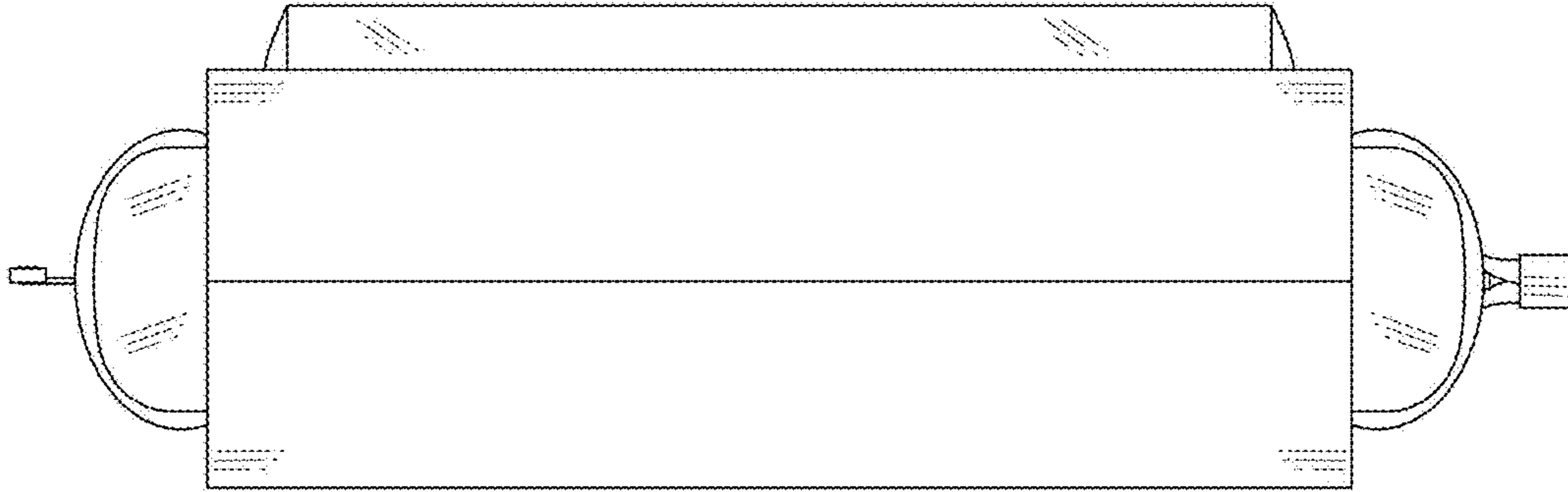


FIG. 14