



US00D917157S

(12) **United States Design Patent**  
**Gregorec et al.**

(10) **Patent No.:** **US D917,157 S**

(45) **Date of Patent:** **\*\* Apr. 27, 2021**

(54) **TOOL BAG**

D853,107 S \* 7/2019 Lyons ..... D3/217  
D857,376 S \* 8/2019 Thibadeau ..... D3/217  
D871,764 S \* 1/2020 Woolery ..... D3/308

(Continued)

(71) Applicant: **Fieldpiece Instruments, Inc.**, Orange, CA (US)

*Primary Examiner* — Jennifer L Watkins

(72) Inventors: **James Louis Gregorec**, Orange, CA (US); **Jason Paul Belaire**, Orange, CA (US)

(74) *Attorney, Agent, or Firm* — Paul J. Backofen, Esq.

(73) Assignee: **Fieldpiece Instruments, Inc.**, Orange, CA (US)

(57) **CLAIM**

The ornamental design for a tool bag, as shown and described.

(\*\*) Term: **15 Years**

**DESCRIPTION**

(21) Appl. No.: **29/672,716**

FIG. 1 is a left-front perspective view of an open tool bag showing our new design.

(22) Filed: **Dec. 7, 2018**

FIG. 2 is a perspective view of the internal tool rack for the tool bag of FIG. 1.

**Related U.S. Application Data**

(63) Continuation of application No. 15/882,596, filed on Jan. 29, 2018, now abandoned.

FIG. 3 is a detailed left-front perspective view of the tool bag of FIG. 1.

(51) **LOC (13) Cl.** ..... **03-01**

FIG. 4 is a right-rear perspective view thereof.

(52) **U.S. Cl.**

FIG. 5 is a top plan view thereof.

USPC ..... **D3/217**

FIG. 6 is a front elevation view thereof.

(58) **Field of Classification Search**

USPC ..... D3/215–218, 224, 226, 303, 308–313

FIG. 7 is a right side elevation view thereof.

CPC ..... A45F 3/04; A45F 3/047; A45F 2003/045;

FIG. 8 is a left side elevation view thereof.

A45F 4/02

FIG. 9 is a cross-section view of the body of the tool bag of FIG. 6 taken along line 9-9.

See application file for complete search history.

FIG. 10 is a top view of the internal tool rack of FIG. 2.

(56) **References Cited**

**U.S. PATENT DOCUMENTS**

D277,801 S \* 2/1985 Levy ..... D3/308  
D369,242 S \* 4/1996 Tiramani ..... D3/308  
D393,543 S \* 4/1998 Wilkening ..... D3/313  
D467,080 S \* 12/2002 Zimmerman ..... D3/311  
D481,282 S \* 10/2003 Kitchen ..... D3/318  
D502,599 S \* 3/2005 Cabana ..... D3/287  
D703,946 S \* 5/2014 Tweedie ..... D3/216  
D787,182 S \* 5/2017 Moreau ..... D3/293  
D831,952 S \* 10/2018 Pennington ..... D3/217

FIG. 11 is a side view of the internal tool rack of FIG. 2, the other side view being a mirror image of FIG. 11.

FIG. 12 is a front elevation view of the internal tool rack of FIG. 2.

FIG. 13 is a top view of the tool tray of the internal tool rack of FIG. 2.

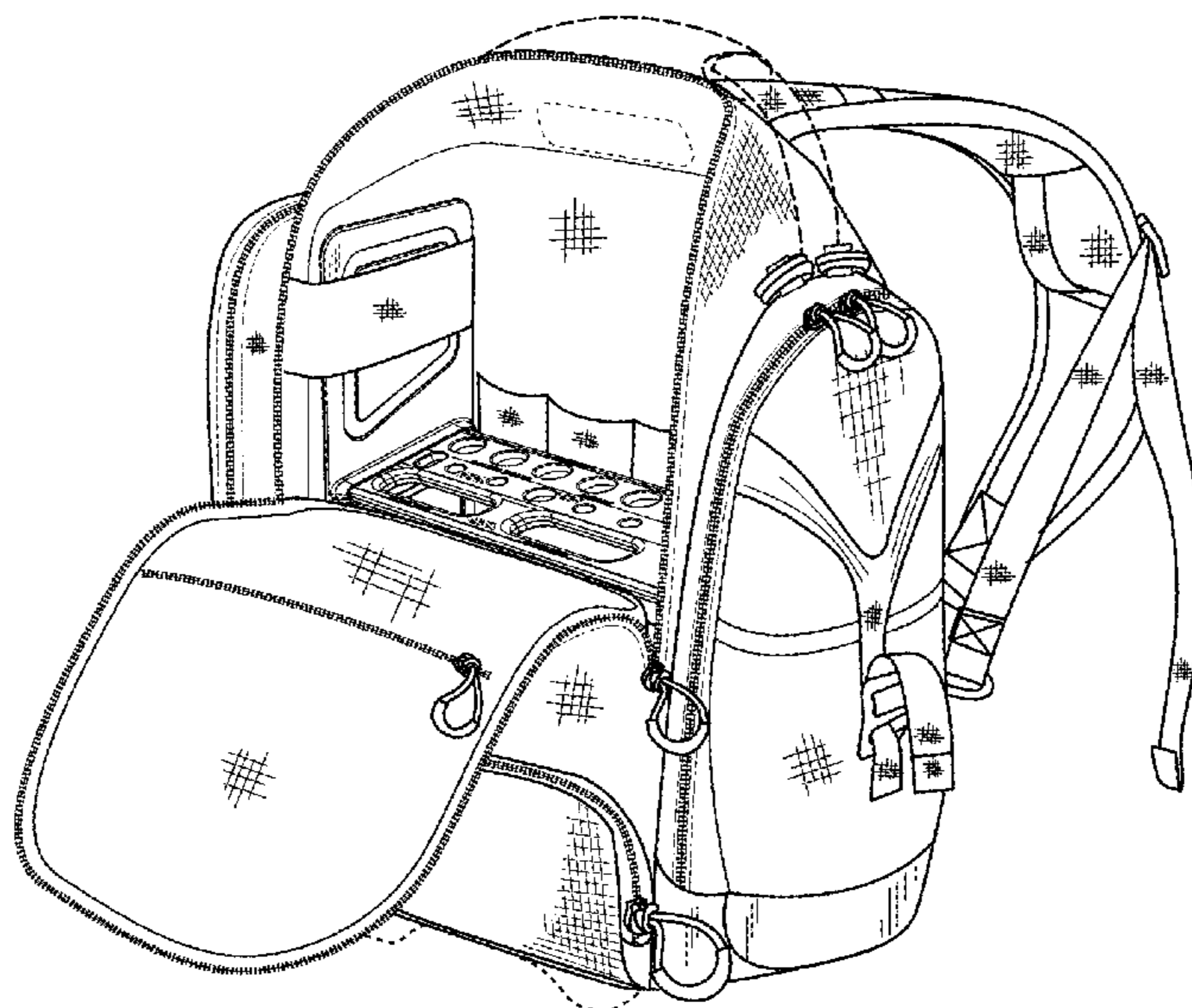
FIG. 14 is a front view of the tool tray of FIG. 13.

FIG. 15 is a side view of the tool tray of FIG. 13; and,

FIG. 16 is a perspective view of the tool tray of FIG. 13.

The bottom of the tool bag is flat and unornamented. Broken lines in the attached drawings are included for the purpose of illustrating portions of the tool bag and form no part of the claimed design.

**1 Claim, 10 Drawing Sheets**



(56)

**References Cited**

U.S. PATENT DOCUMENTS

D873,558 S *	1/2020	Jamieson .....	D3/217
D874,129 S *	2/2020	Goldstein .....	D3/217
D882,943 S *	5/2020	Zhuang .....	D3/217
D883,658 S *	5/2020	Lu .....	D3/217
D883,660 S *	5/2020	He .....	D3/217
D885,042 S *	5/2020	Li .....	D3/217
D885,760 S *	6/2020	Whitfield .....	D3/279
D887,128 S *	6/2020	Novak .....	D3/217
2015/0027833 A1*	1/2015	Taylor .....	A45C 13/36 190/111

\* cited by examiner



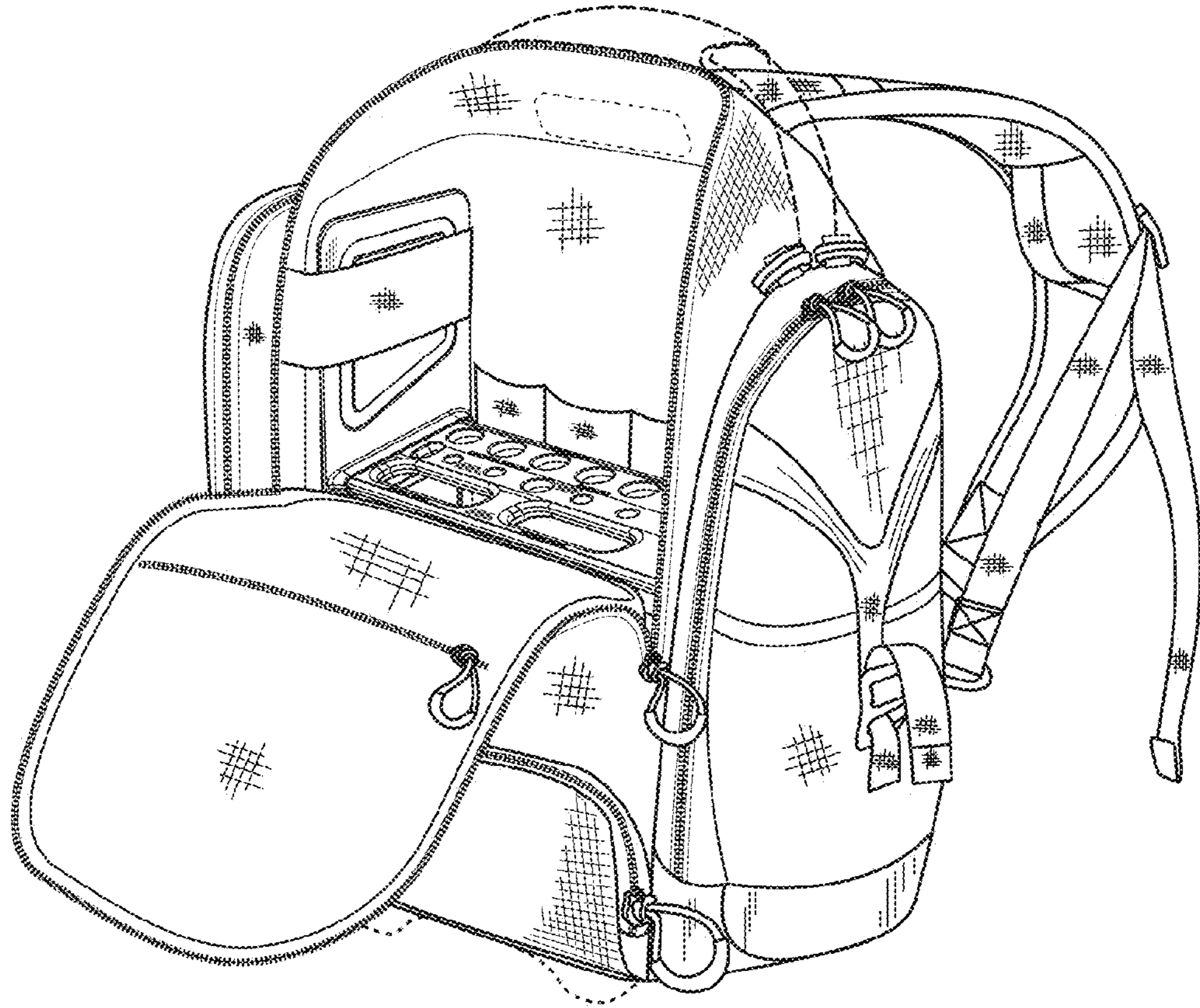


Fig. 1

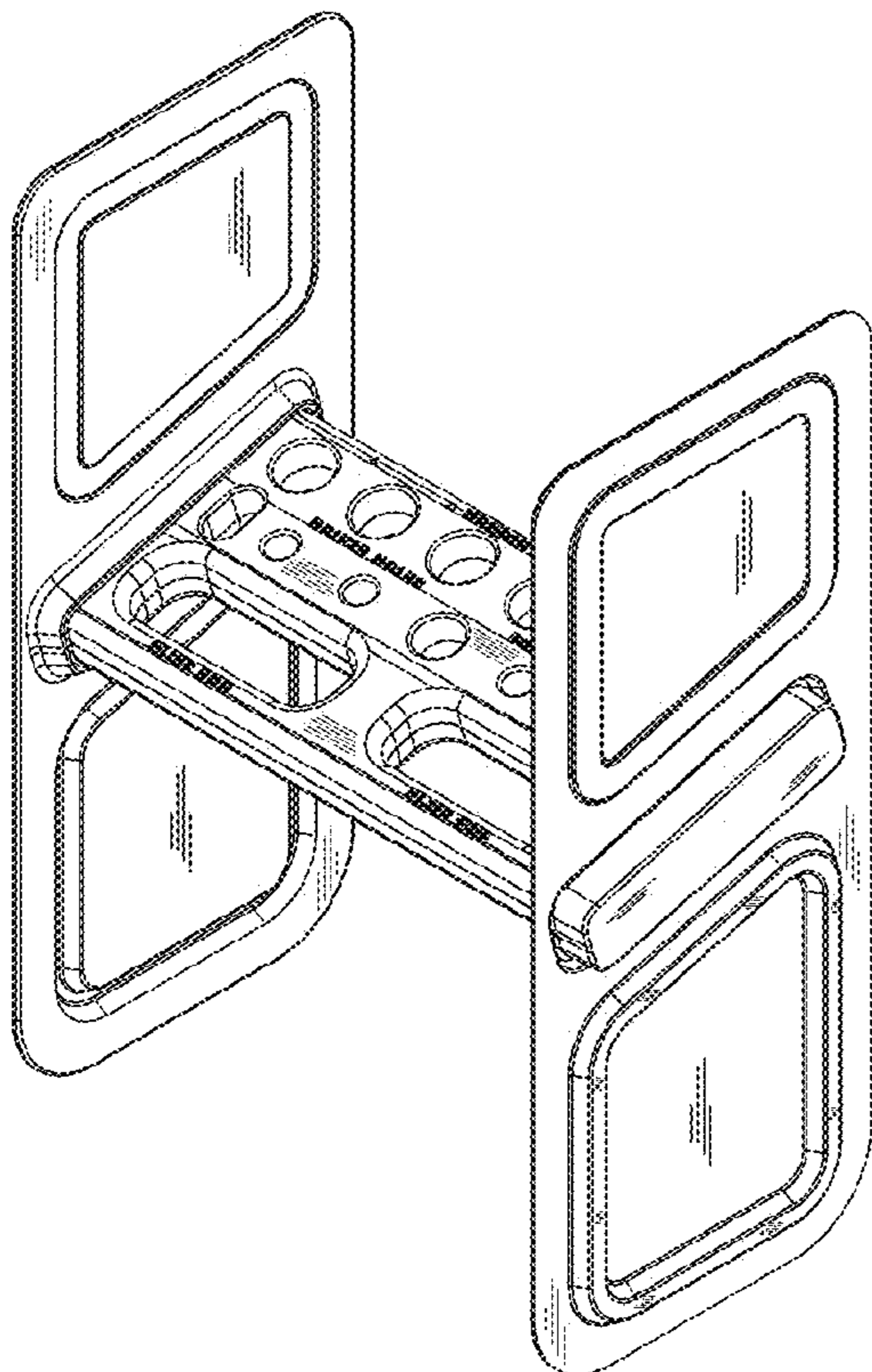


Fig. 2

Fig. 3

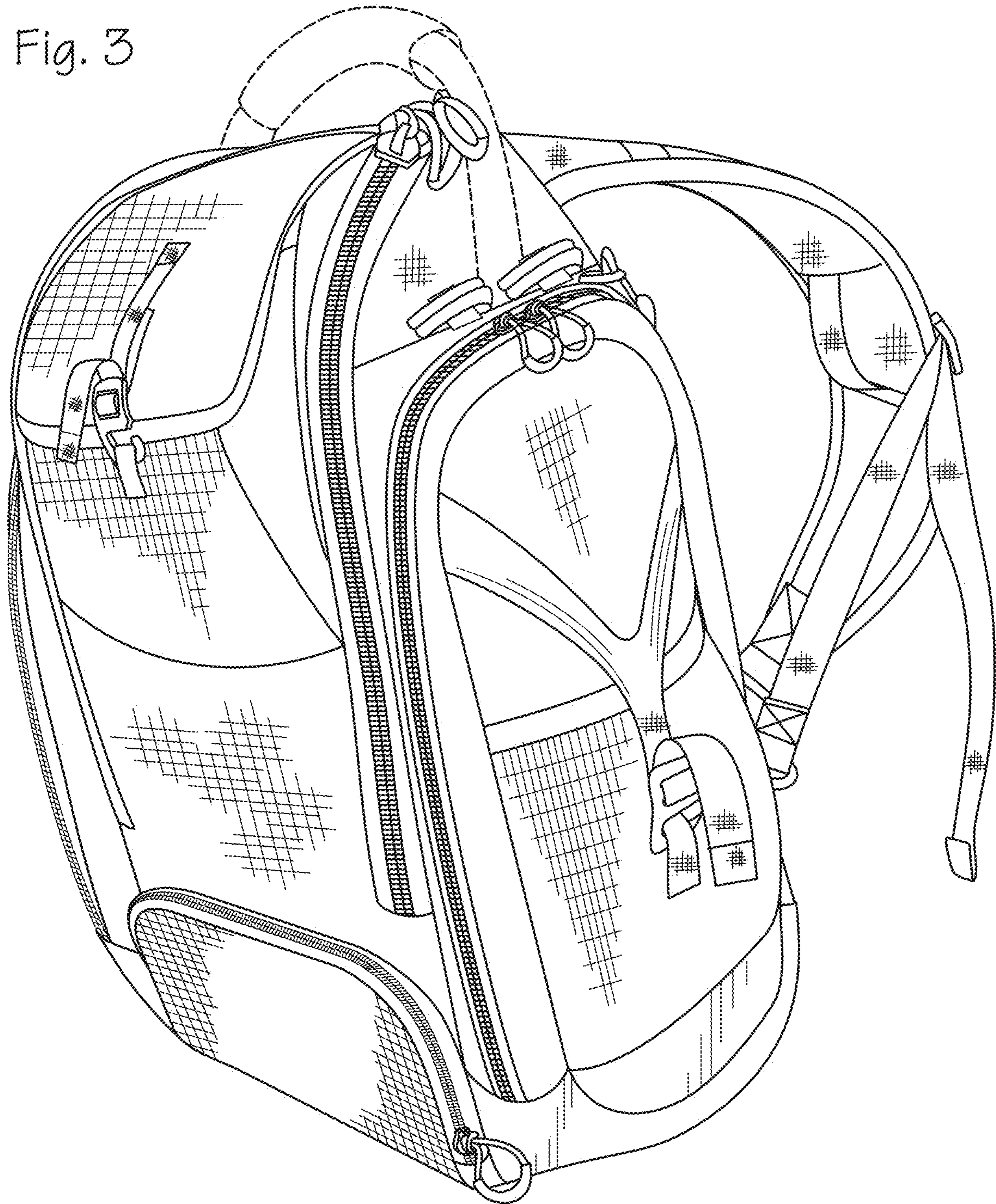




Fig. 4



Fig. 5

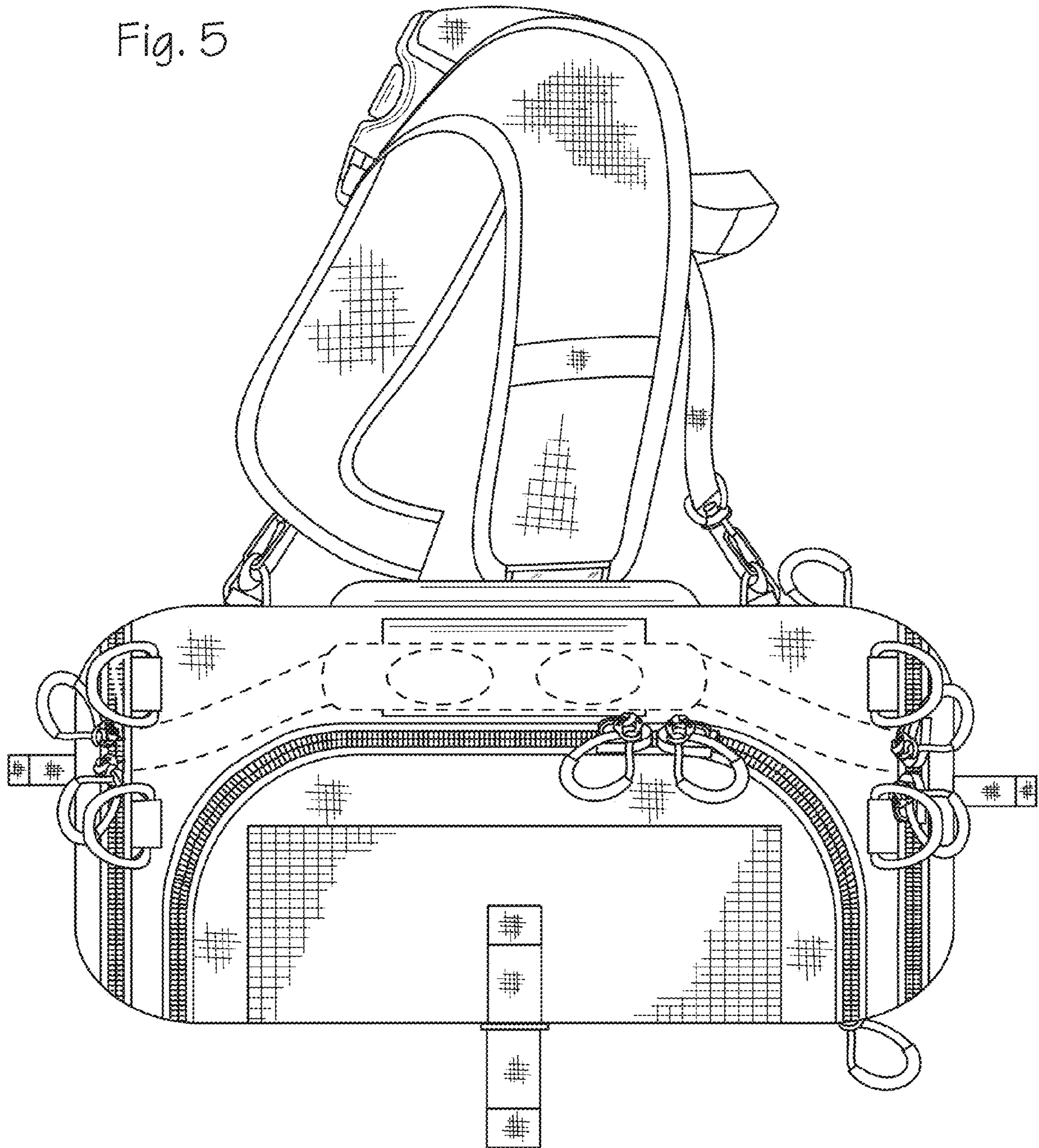




Fig. 6

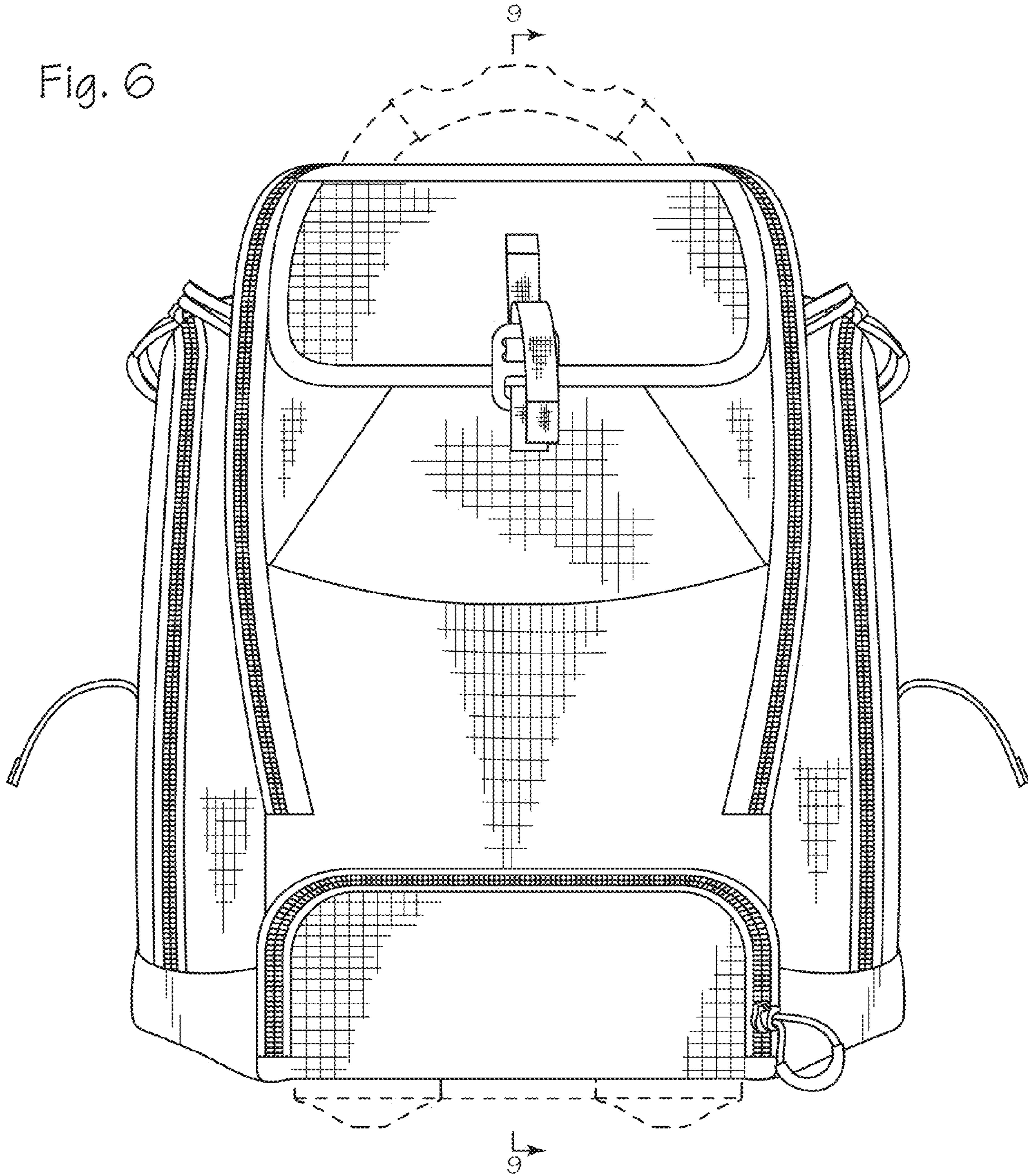


Fig. 7

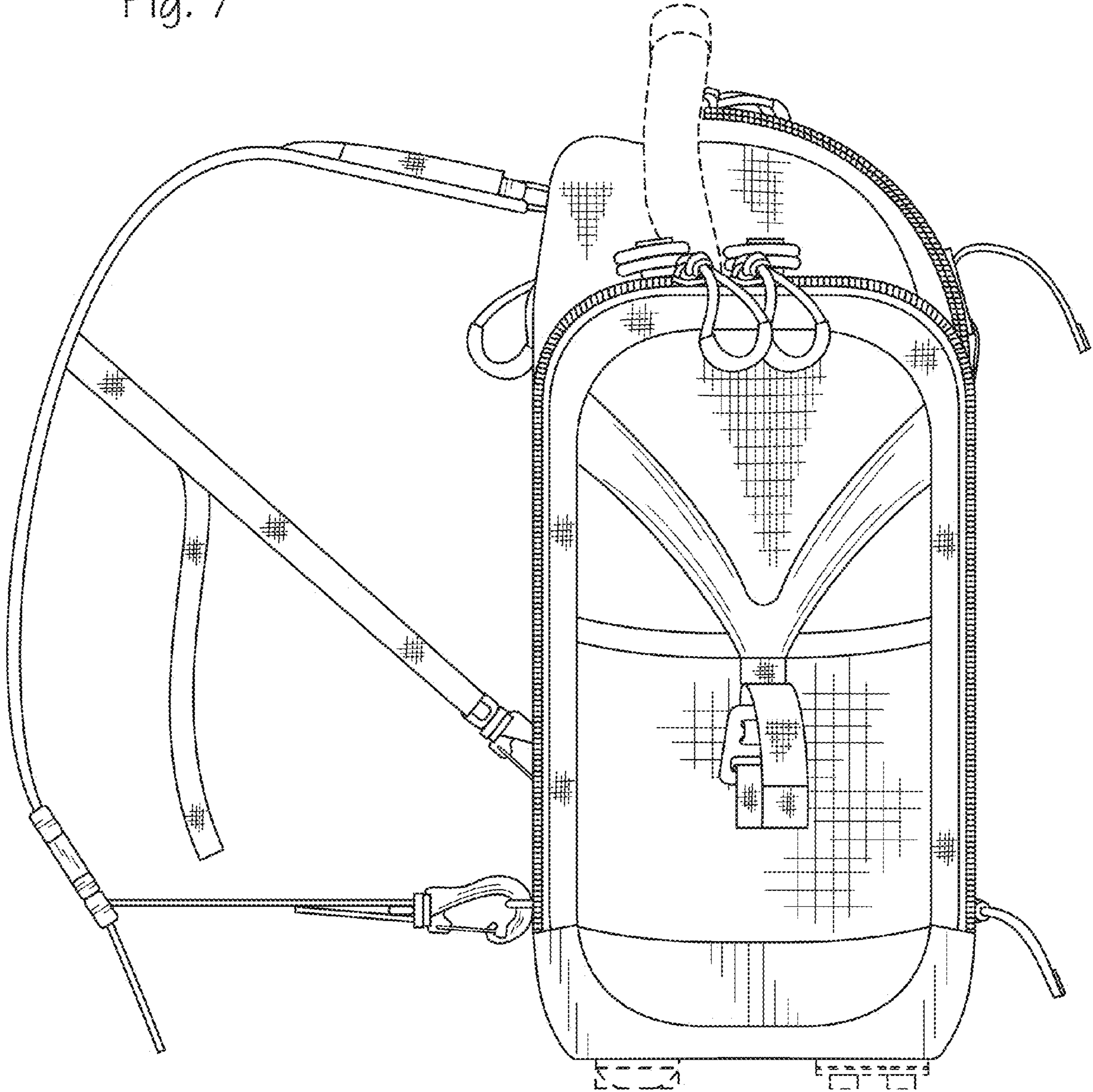




Fig. 8

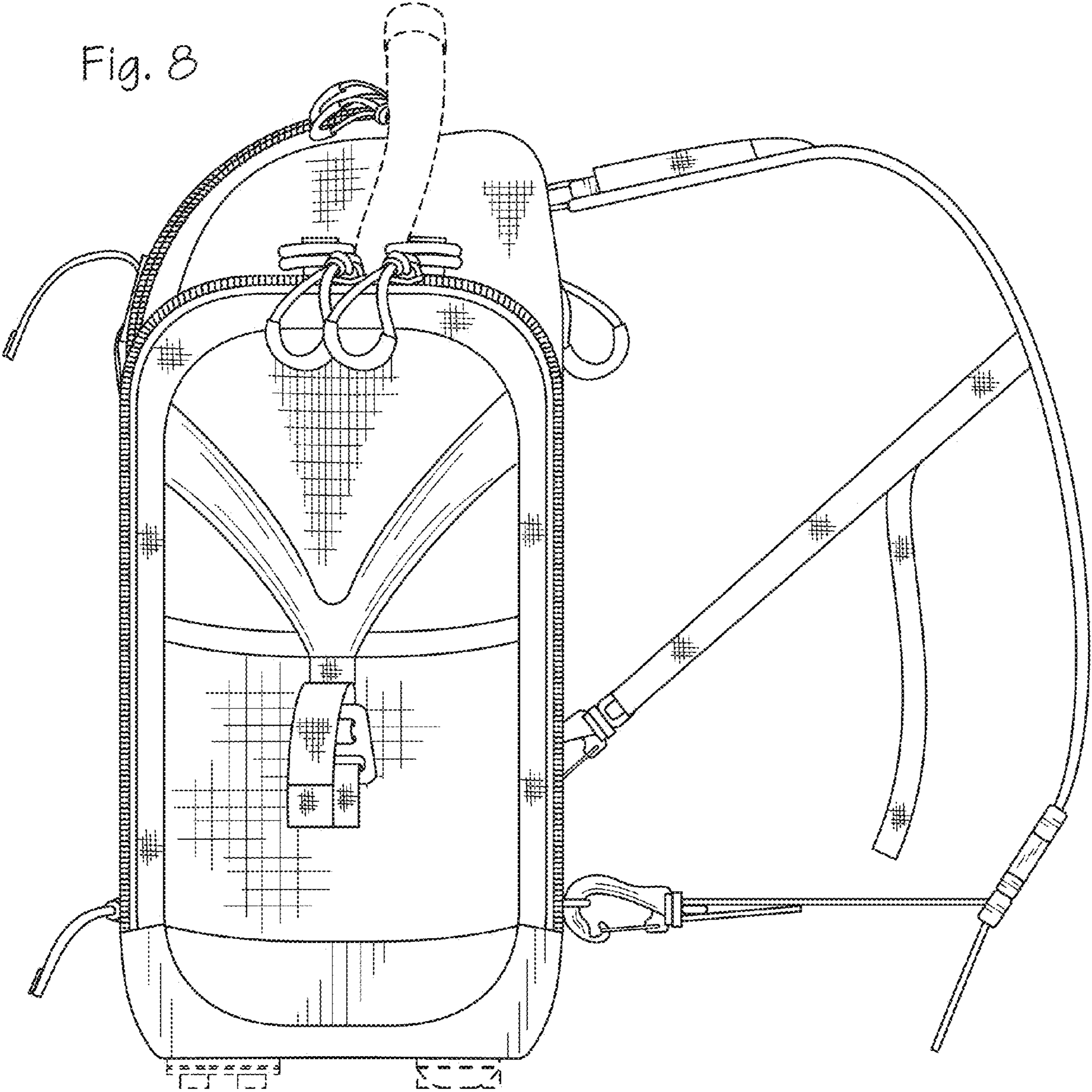
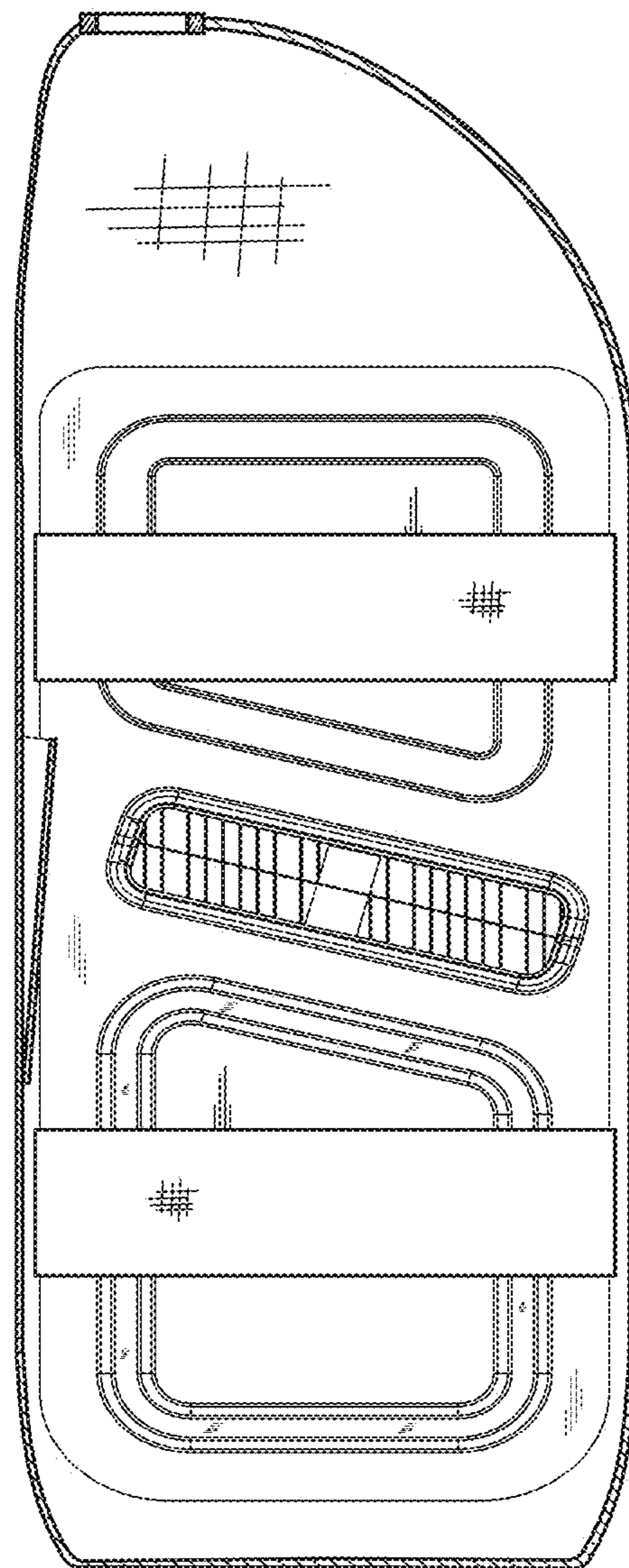


Fig. 9





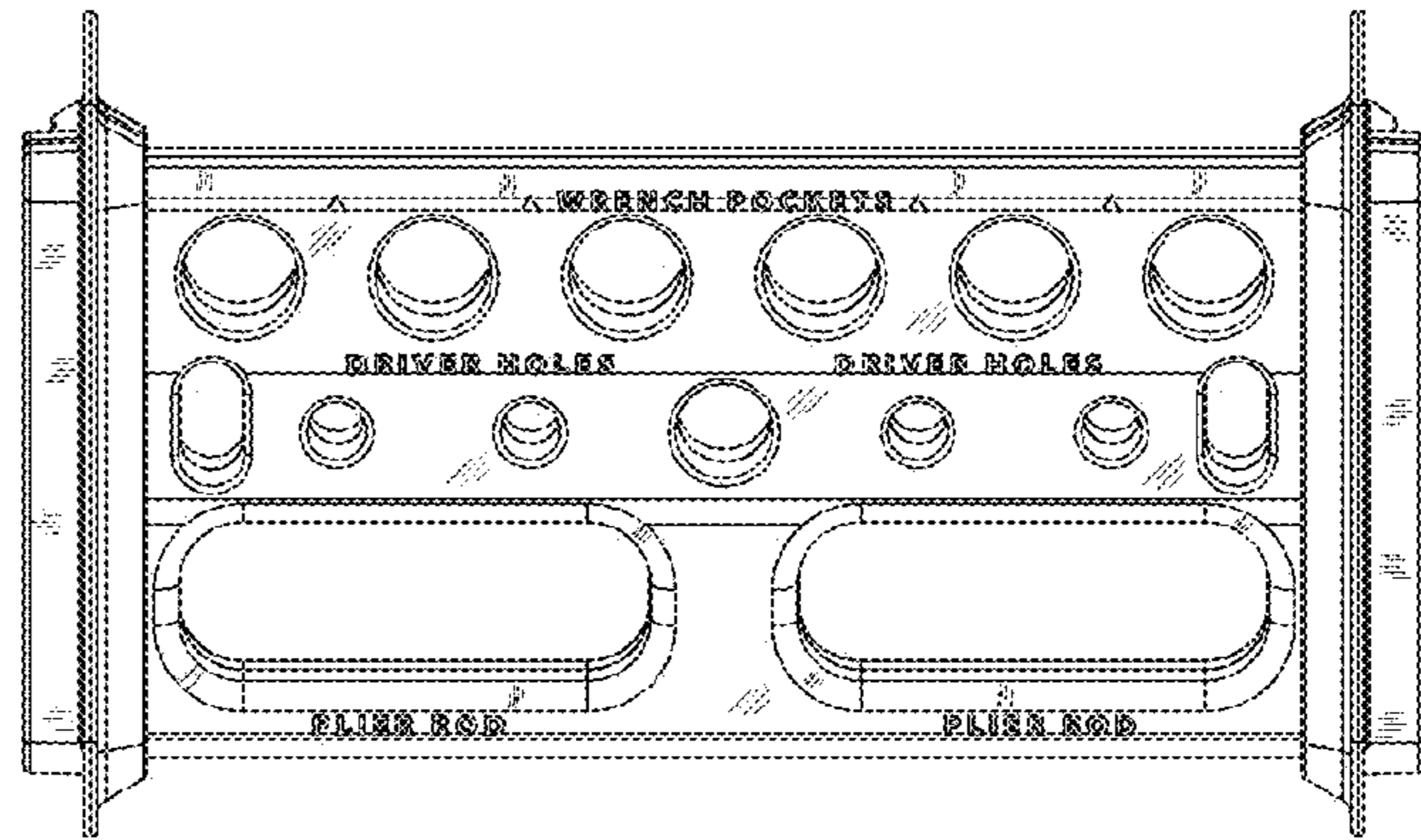


Fig. 10

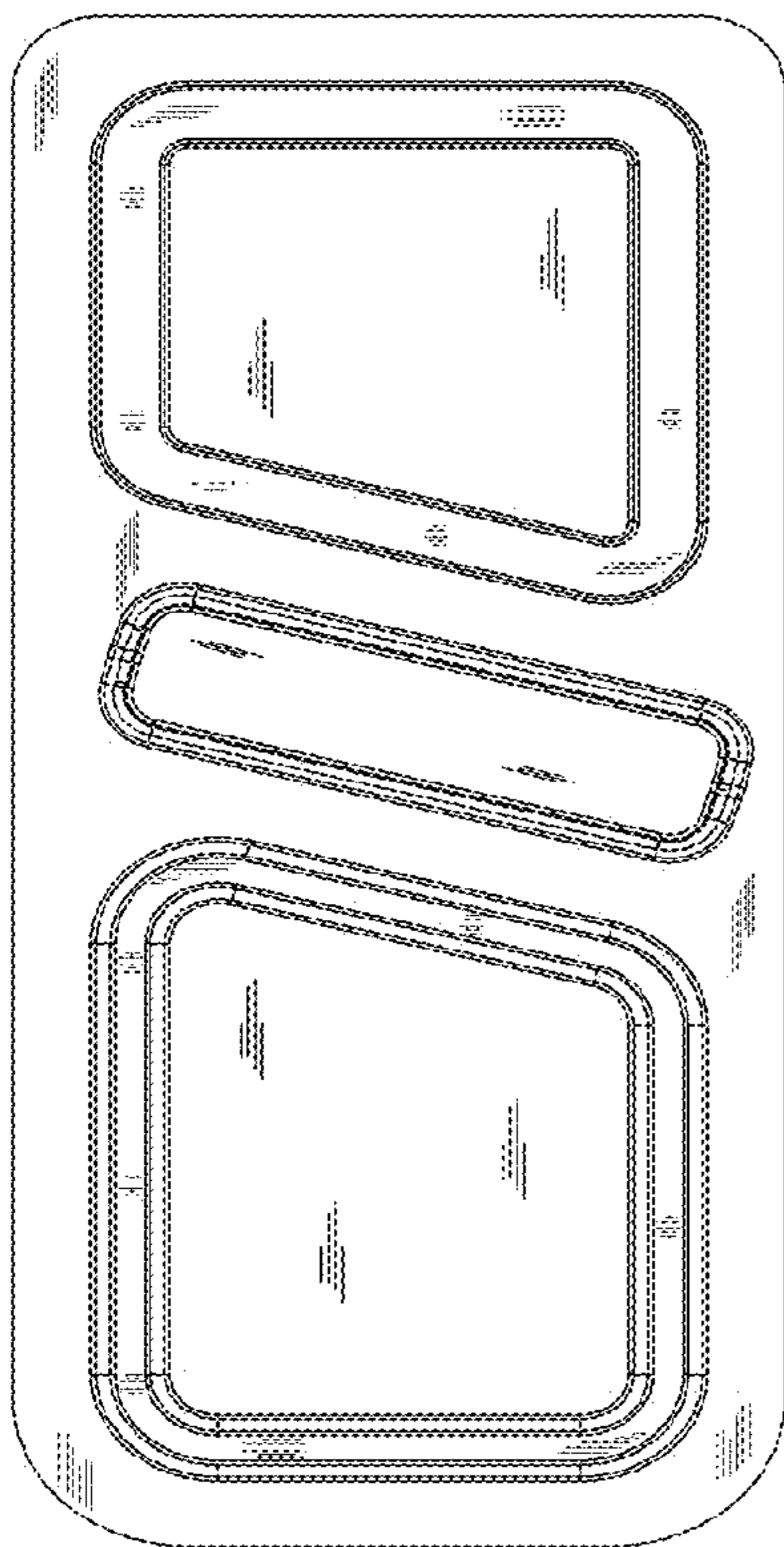


Fig. 11

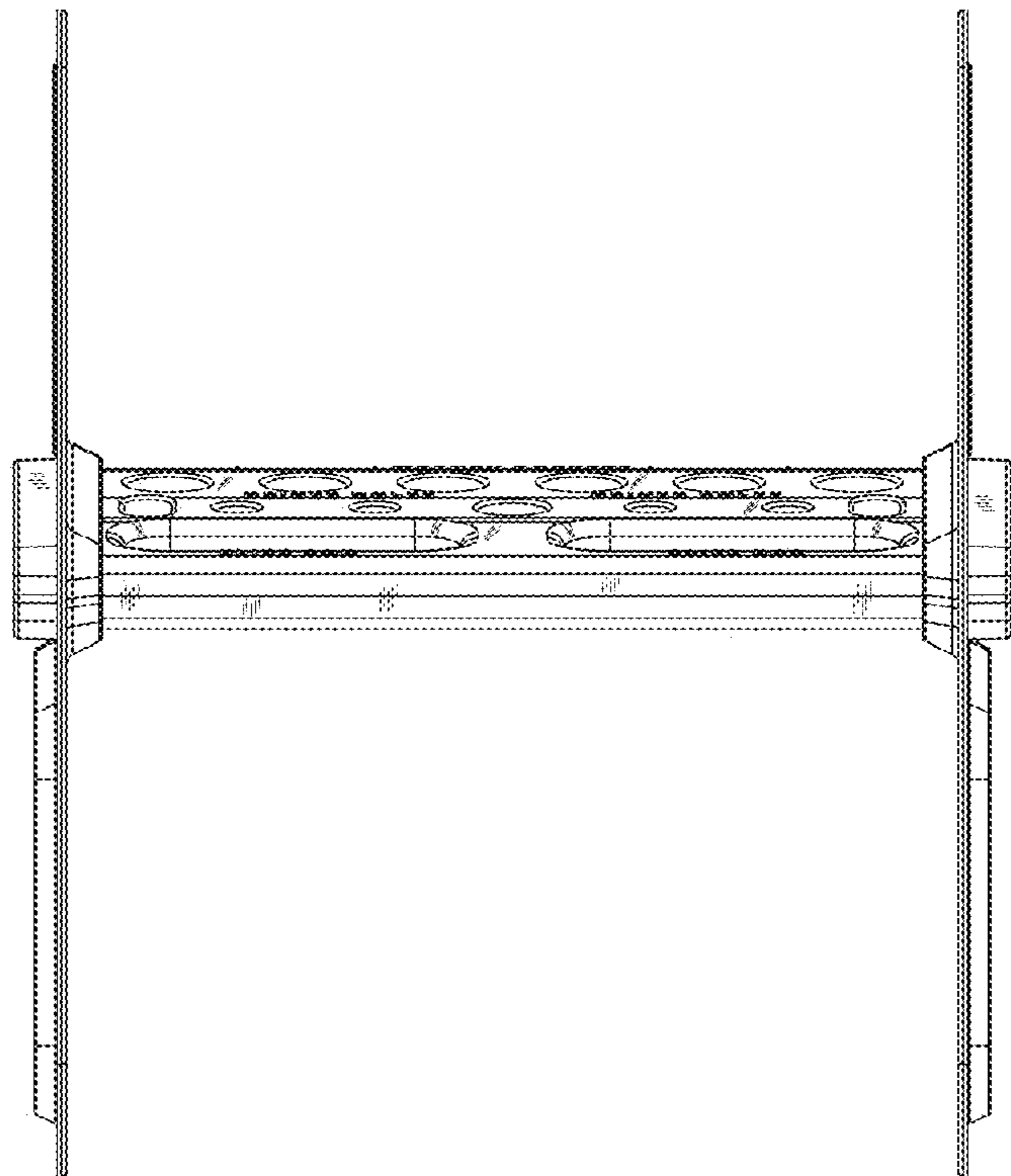


Fig. 12

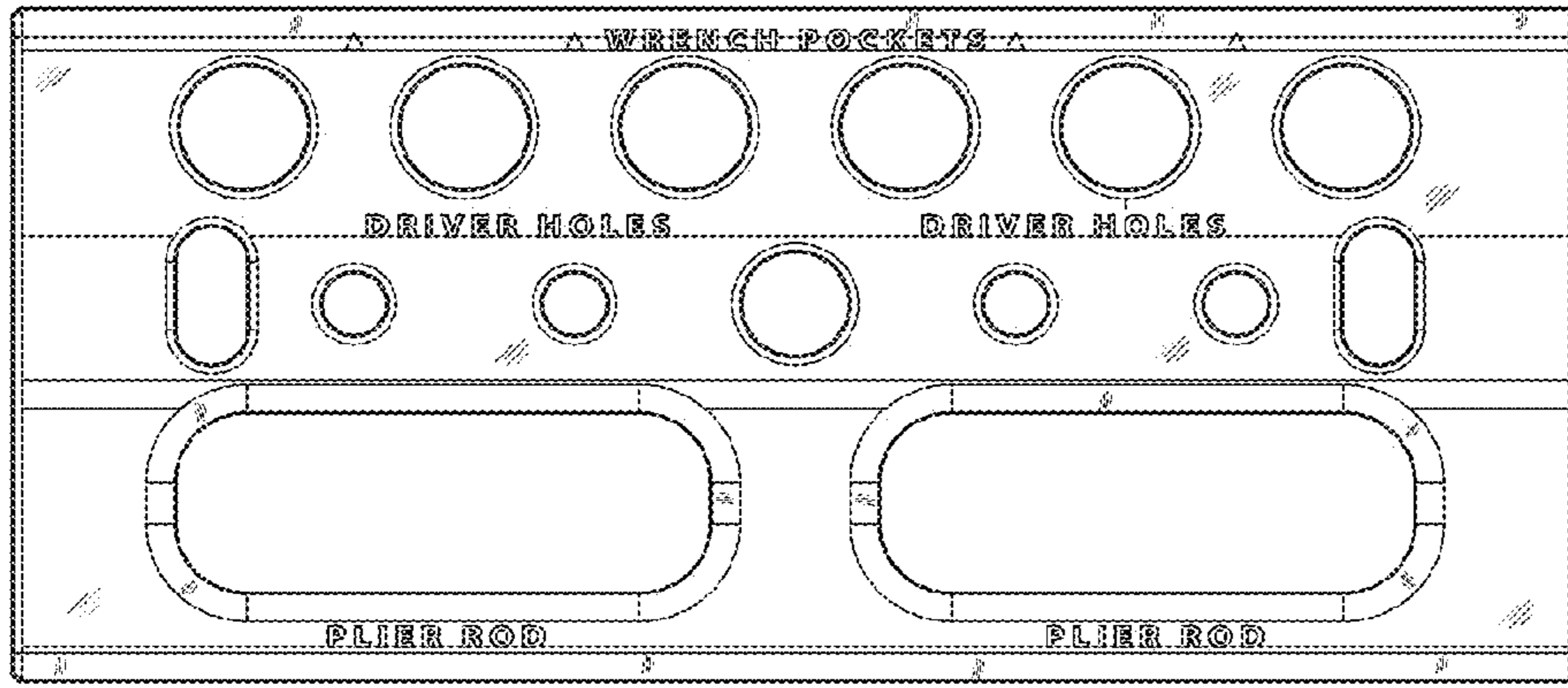


Fig. 13

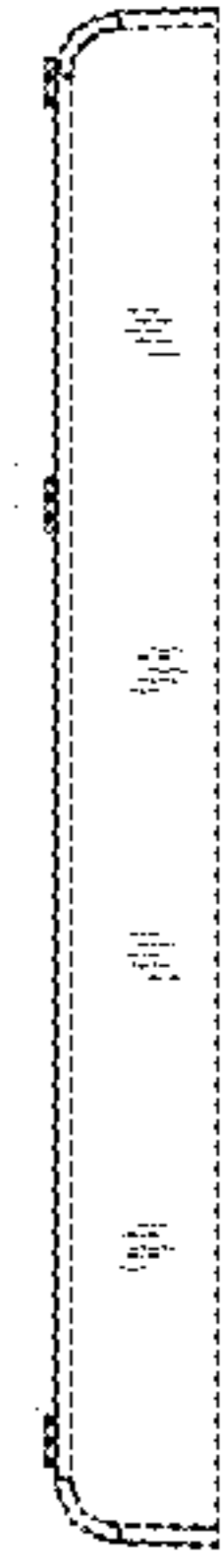


Fig. 15

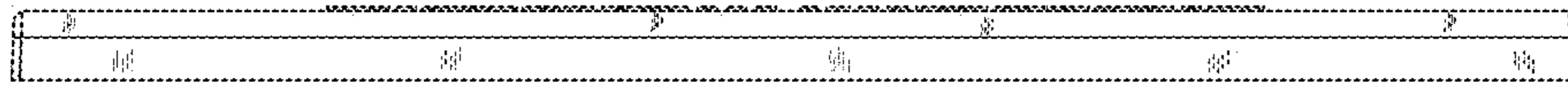


Fig. 14

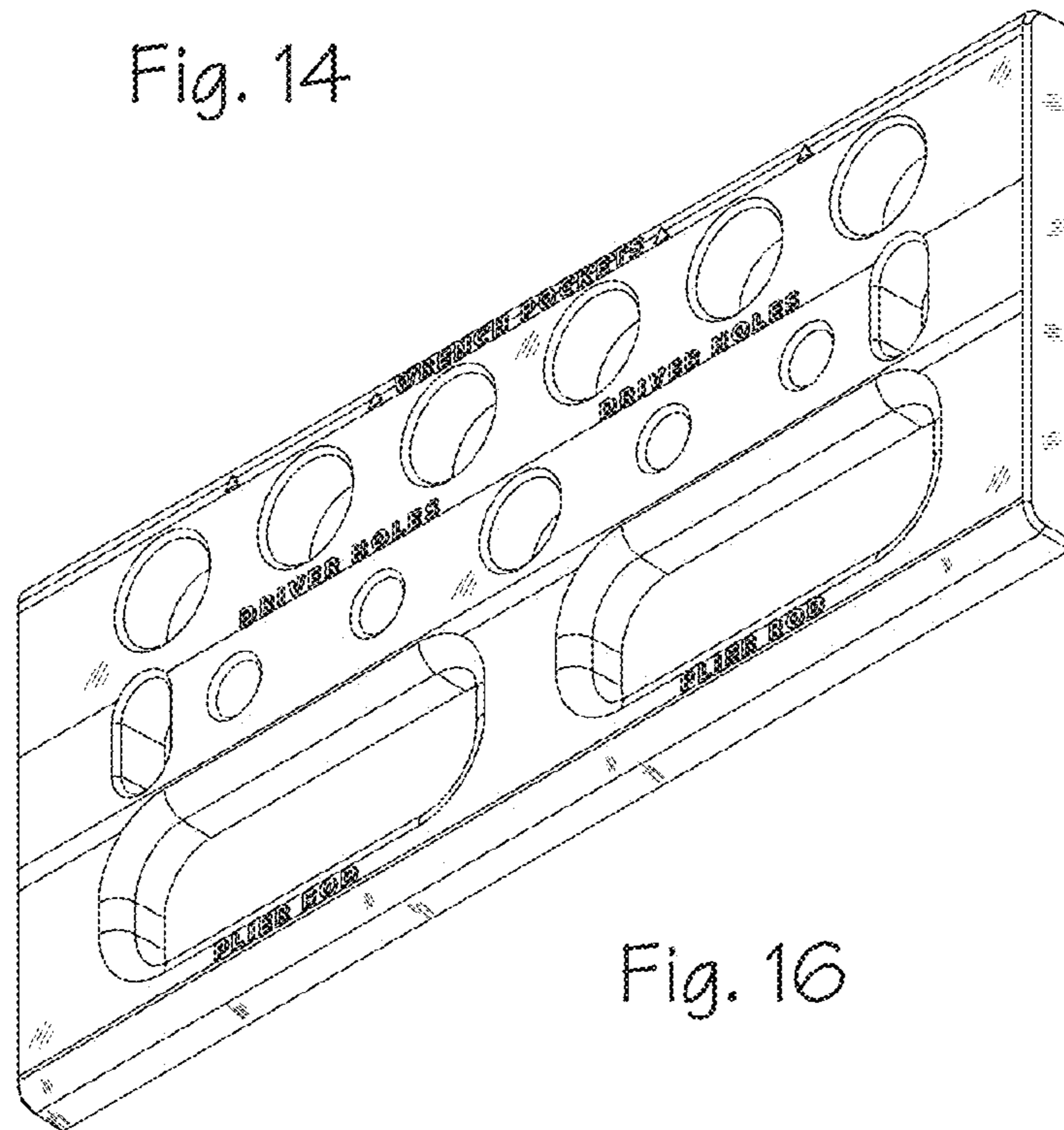


Fig. 16