



US00D917152S

(12) **United States Design Patent** (10) **Patent No.:** **US D917,152 S**
Kambouris et al. (45) **Date of Patent:** **** Apr. 27, 2021**

- (54) **SCREW DRIVE CASING FOR A CONTROL PANEL**
- (71) Applicant: **Technology Licensing Corporation**, Fort Lauderdale, FL (US)
- (72) Inventors: **Christos Kambouris**, Shelton, CT (US); **Oswald Mesidor**, Waterbury, CT (US); **Mark Slavin**, Waterbury, CT (US)
- (73) Assignee: **Technology Licensing Corporation**, Fort Lauderdale, FL (US)
- (**) Term: **15 Years**
- (21) Appl. No.: **29/665,909**
- (22) Filed: **Oct. 8, 2018**
- (51) **LOC (13) Cl.** **03-01**
- (52) **U.S. Cl.**
USPC **D3/201; D3/273**
- (58) **Field of Classification Search**
USPC D3/201, 269, 271.2, 273, 274, 276, 281, D3/282, 294, 318, 905
CPC B25H 3/00; B25H 3/003; B25H 3/006; B25H 3/02; B25H 3/023; B25H 3/026; B25H 3/028; A45F 5/00
See application file for complete search history.

(56) **References Cited**

U.S. PATENT DOCUMENTS

D348,152 S *	6/1994	Roeper	D3/282
D396,345 S *	7/1998	Sanderson	D3/204
D400,010 S *	10/1998	Vasudeva	D3/276
6,216,858 B1 *	4/2001	Chiu	B25G 1/085
				206/234
D459,580 S *	7/2002	Chen	D3/273
D474,340 S *	5/2003	Vasudeva	D3/276
D481,868 S *	11/2003	Cunningham	D3/273
D508,165 S *	8/2005	Catania	D3/201

D530,912 S *	10/2006	Wikle	D3/281
D555,357 S *	11/2007	Hsieh	D3/282
D555,902 S *	11/2007	Pendergraph	D3/273
D582,159 S *	12/2008	Gilbert	D3/274
D617,556 S *	6/2010	Molina	D3/282
D617,557 S *	6/2010	Molina	D3/282
D680,740 S *	4/2013	Konecny, III	D3/294
D691,802 S *	10/2013	Lin	D3/282
D728,935 S *	5/2015	Huang	D3/282
D793,074 S *	8/2017	Tollefsbol	D3/201
D793,729 S *	8/2017	Schneider	D3/294
D793,730 S *	8/2017	Zheng	D3/301
2003/0075467 A1 *	4/2003	Anderson	B25H 3/006
				206/349
2006/0131192 A1 *	6/2006	Hernandez	A45C 13/02
				206/349
2016/0236342 A1 *	8/2016	Evatt	B25H 3/003
2017/0297810 A1 *	10/2017	Di Bona	B65D 43/163

* cited by examiner

Primary Examiner — Selina Sikder

(74) *Attorney, Agent, or Firm* — Howard M. Gitten; Lewis, Brisbois, Bisgaard & Smith LLP

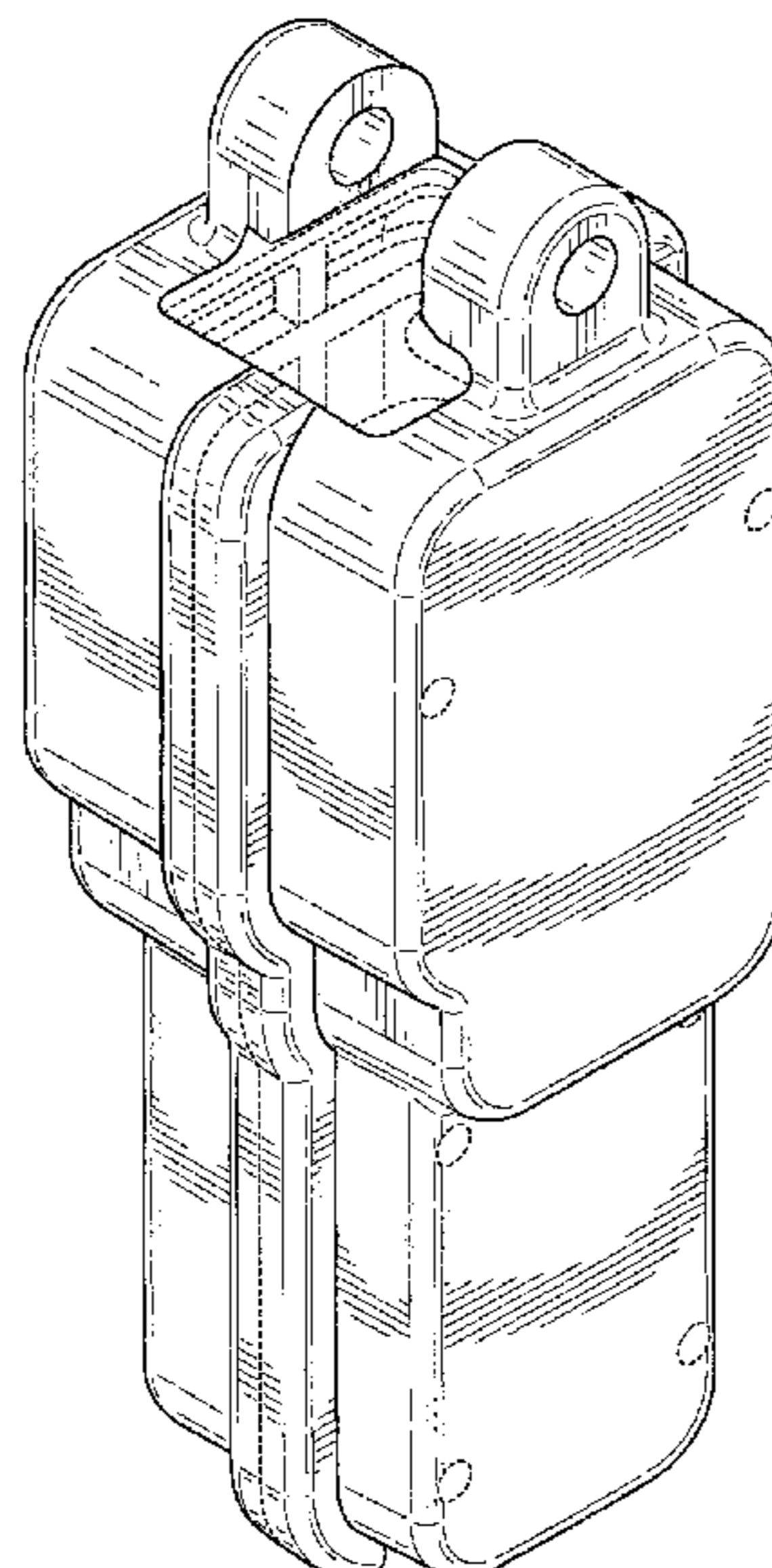
(57) **CLAIM**

The ornamental design of a screw drive casing for a control panel, as shown and described.

DESCRIPTION

FIG. 1 is a rear perspective view of the screw drive casing for a control panel showing a new design;
 FIG. 2 is an exploded rear perspective view thereof;
 FIG. 3 is a rear elevational view thereof;
 FIG. 4 is a front elevational view thereof;
 FIG. 5 is a right side elevational view thereof;
 FIG. 6 is a left side elevational view thereof;
 FIG. 7 is a top plan view thereof; and,
 FIG. 8 is a bottom plan view thereof.
 The broken lines in the drawings depict portions of the screw drive casing for a control panel that form no part of the claimed design.

1 Claim, 7 Drawing Sheets



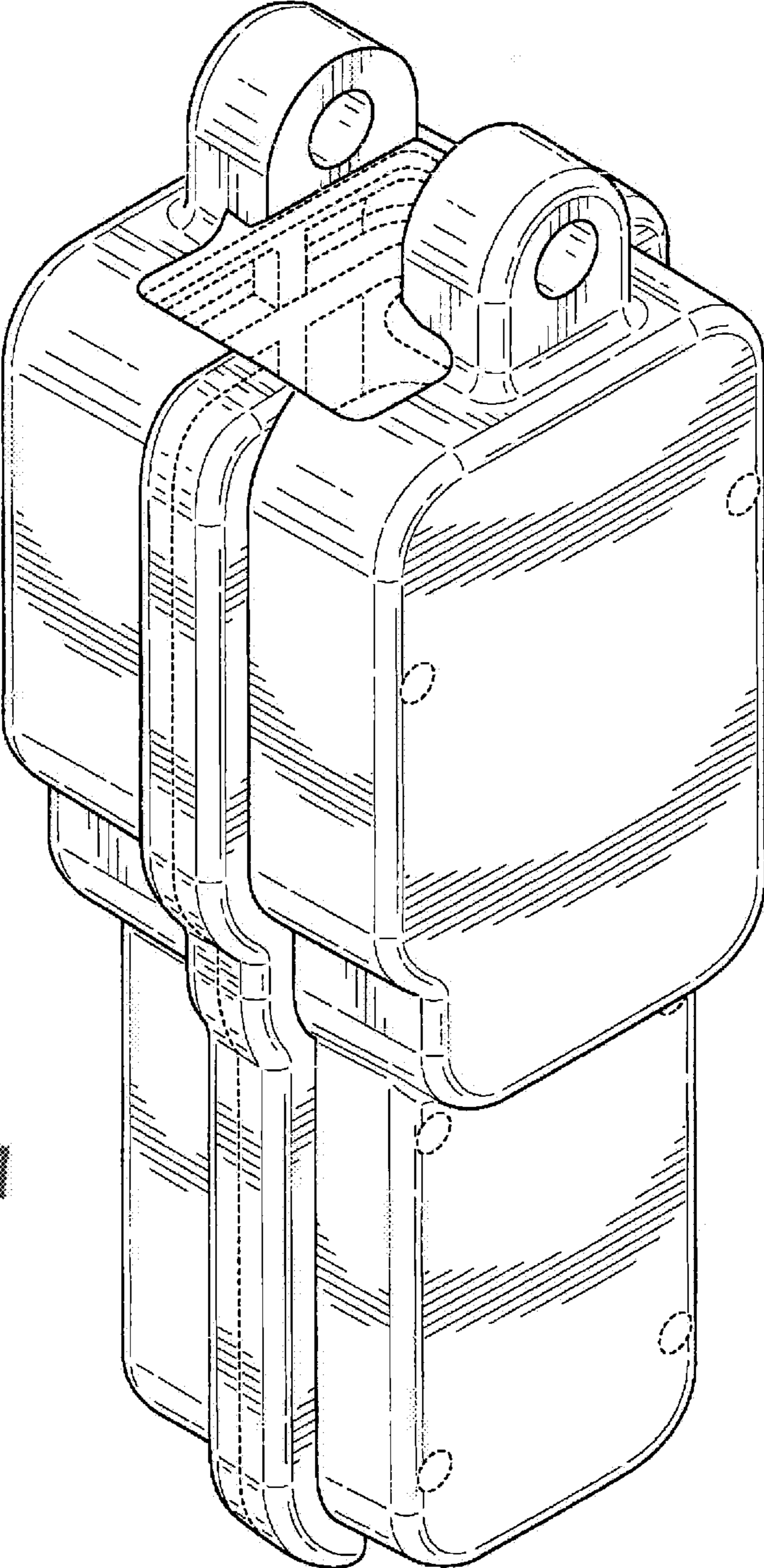
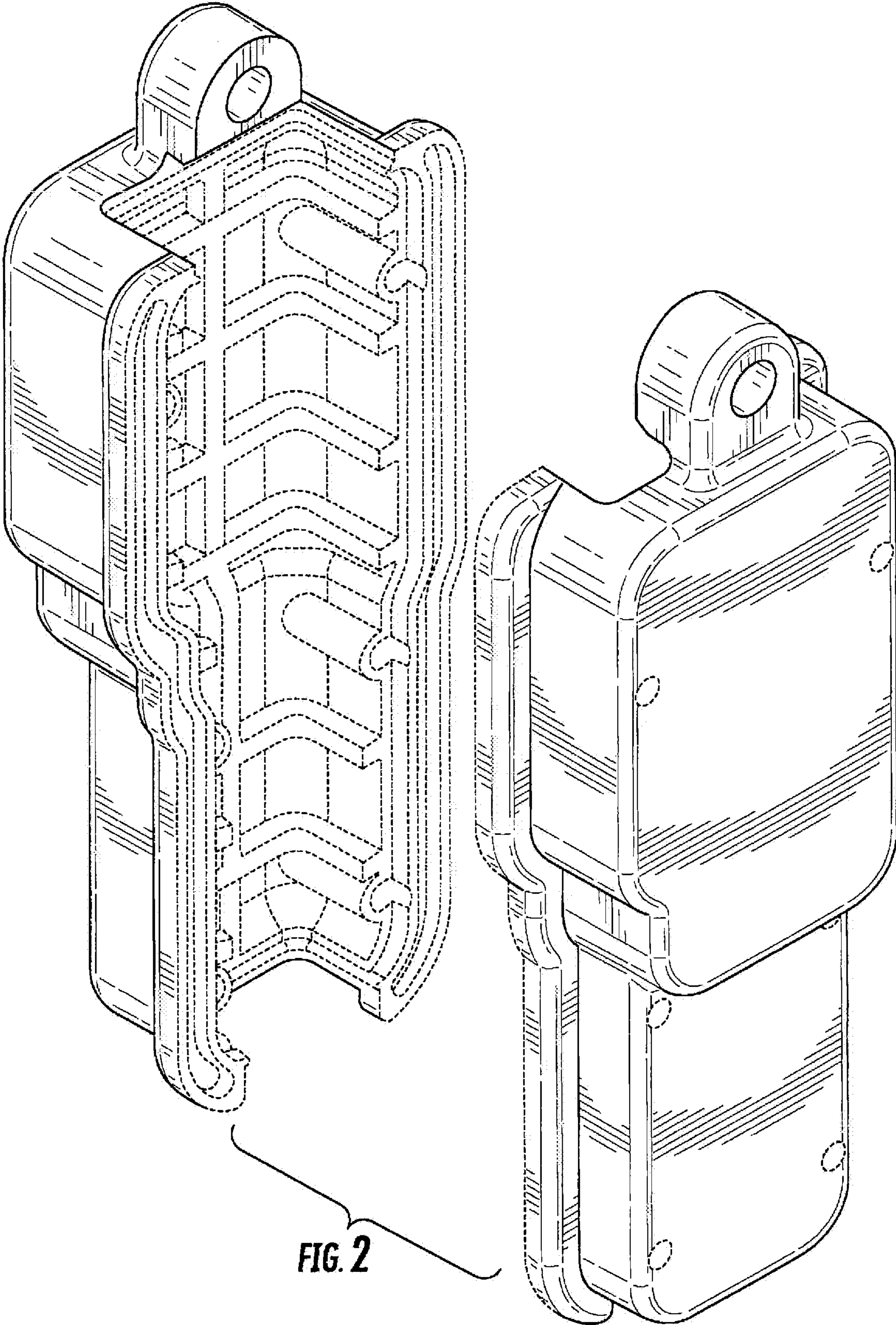


FIG. 1



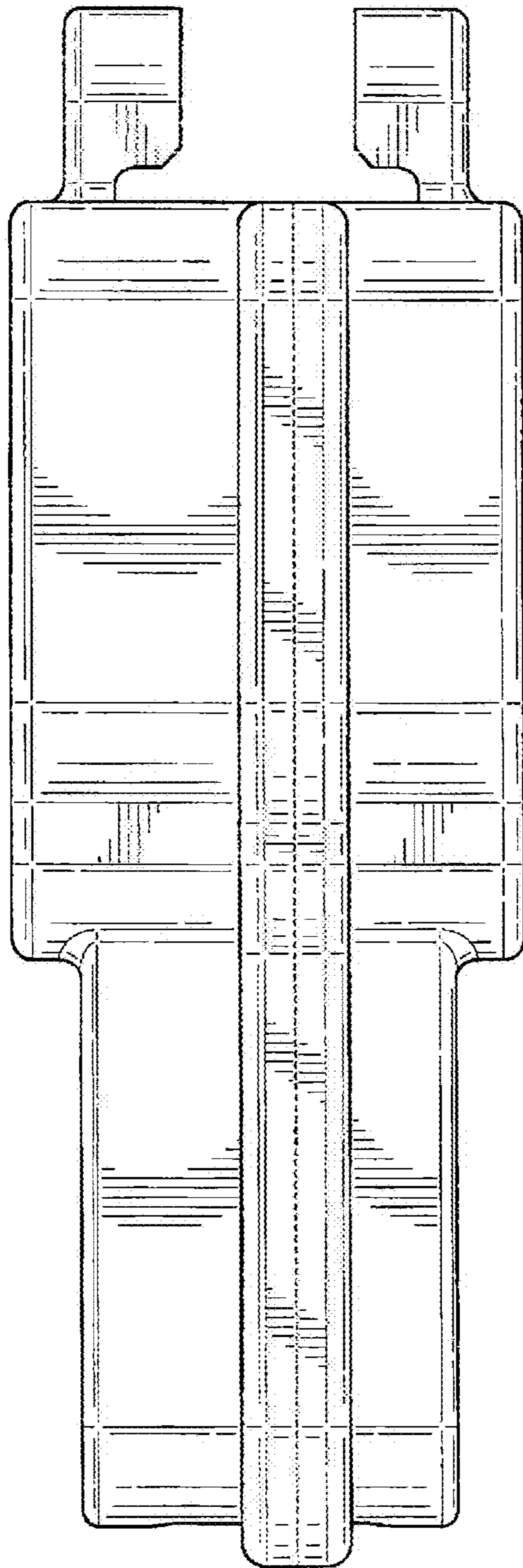


FIG. 3

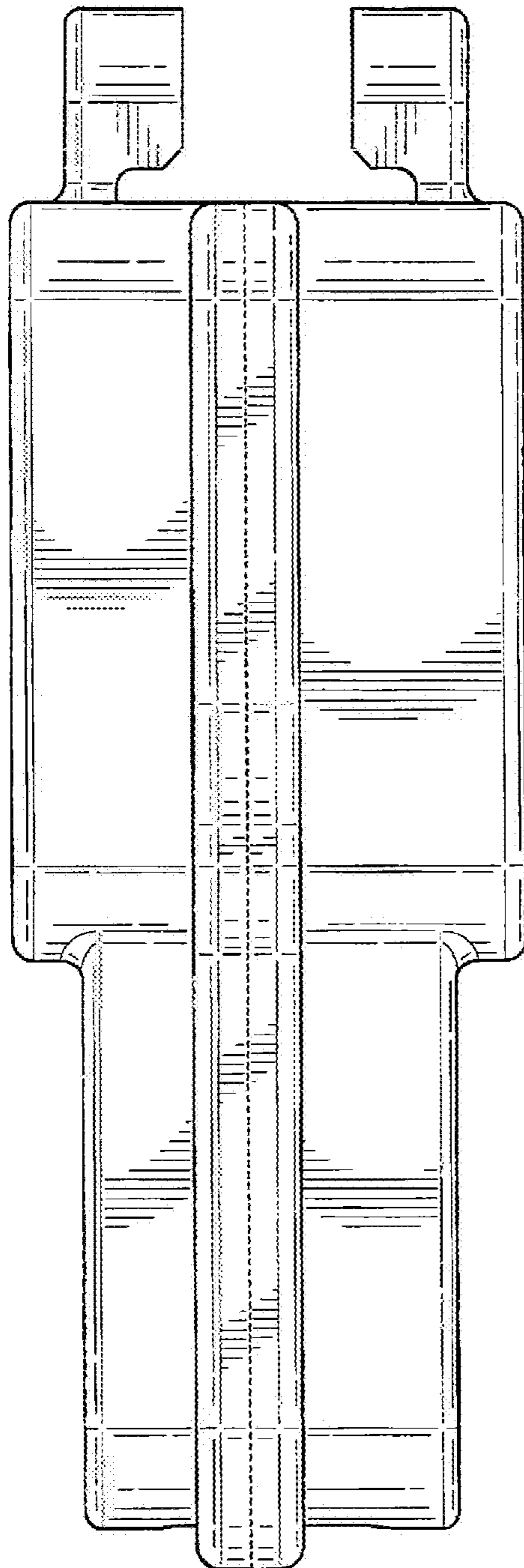


FIG. 4

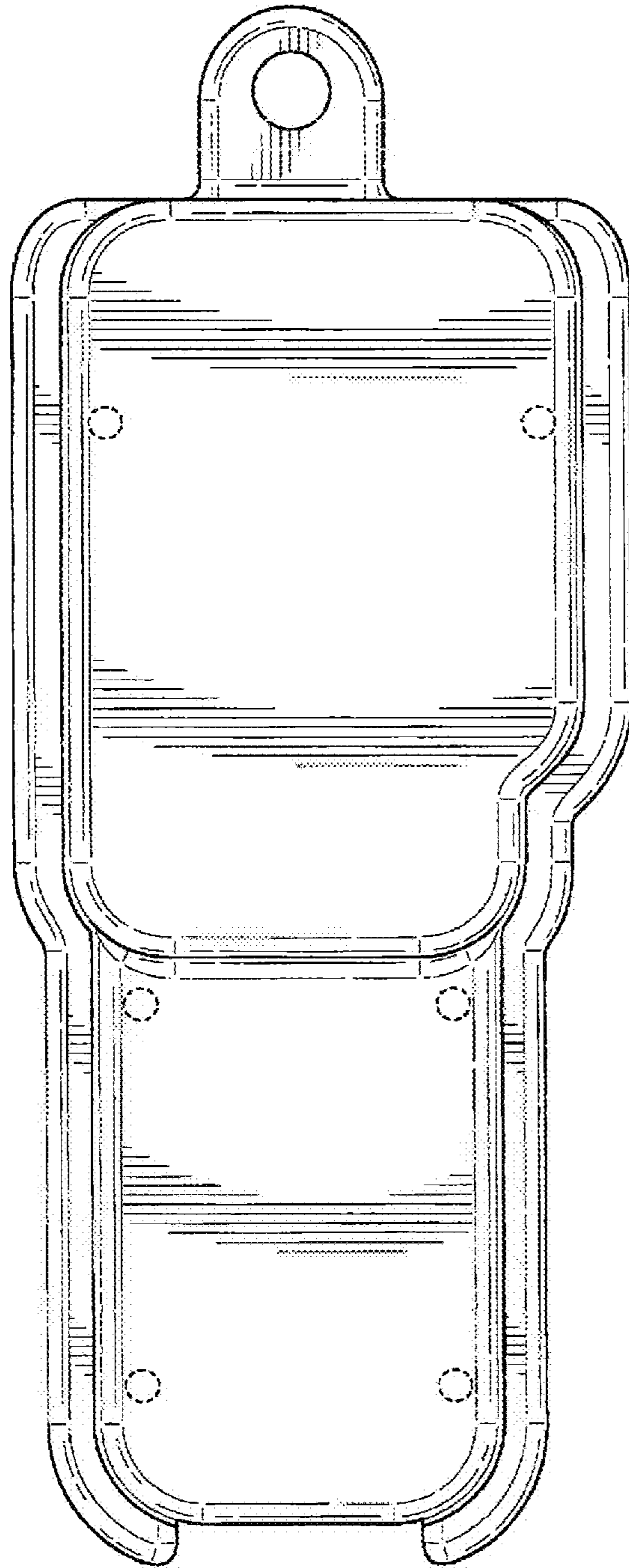


FIG. 5

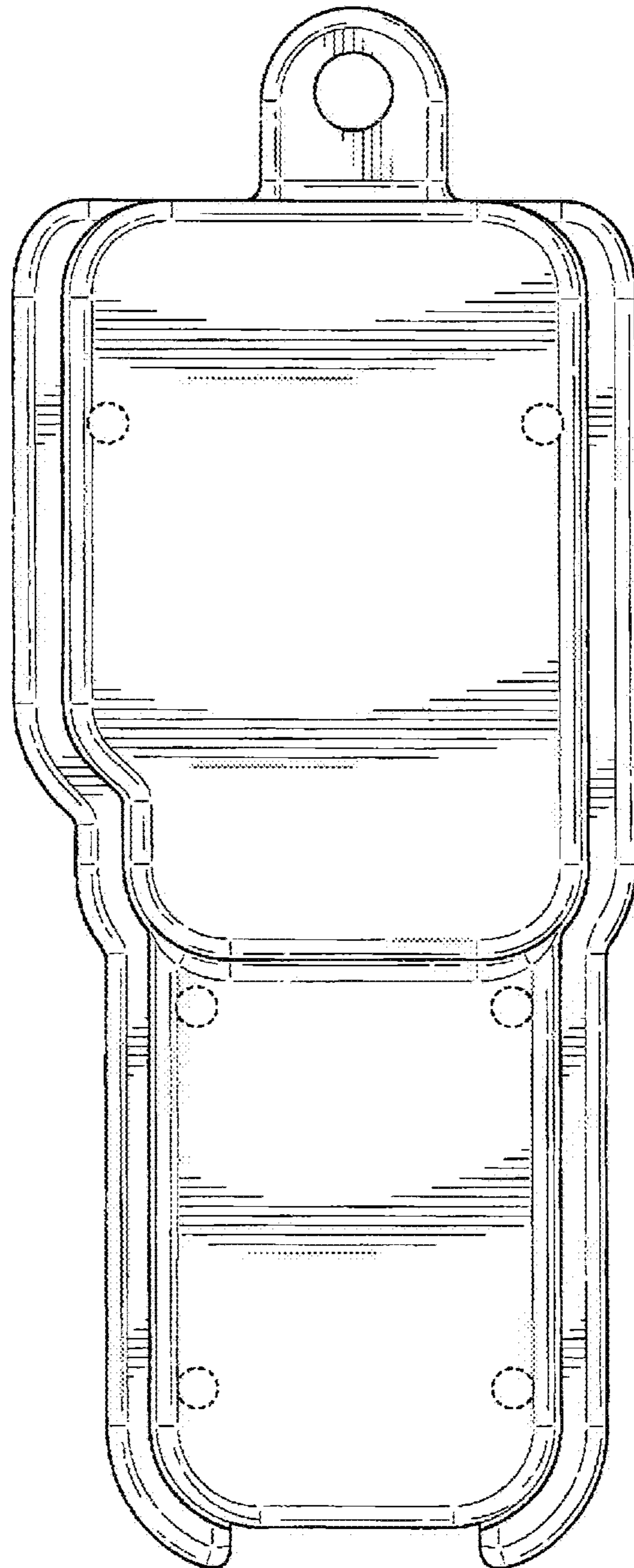


FIG. 6

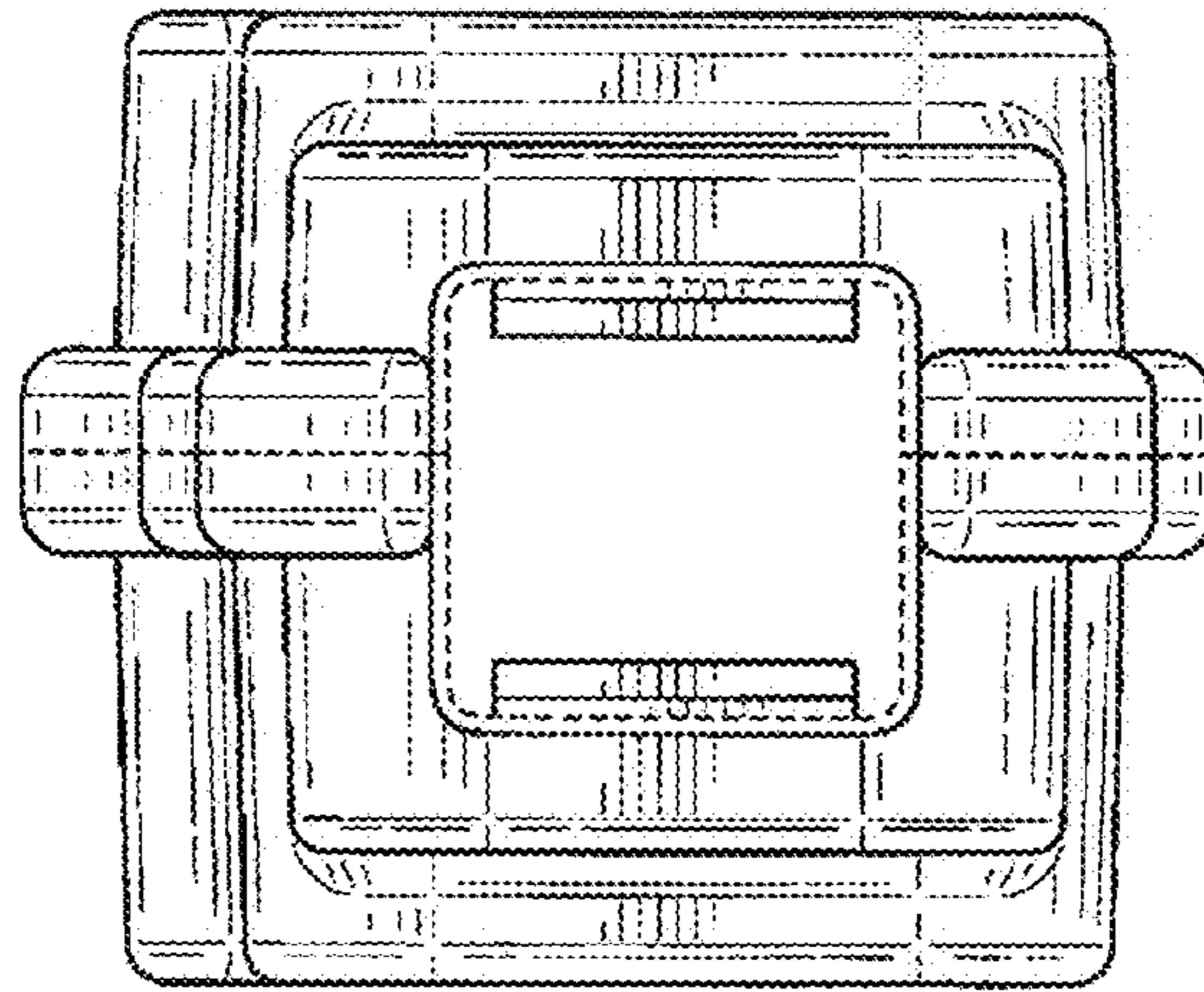


FIG. 8

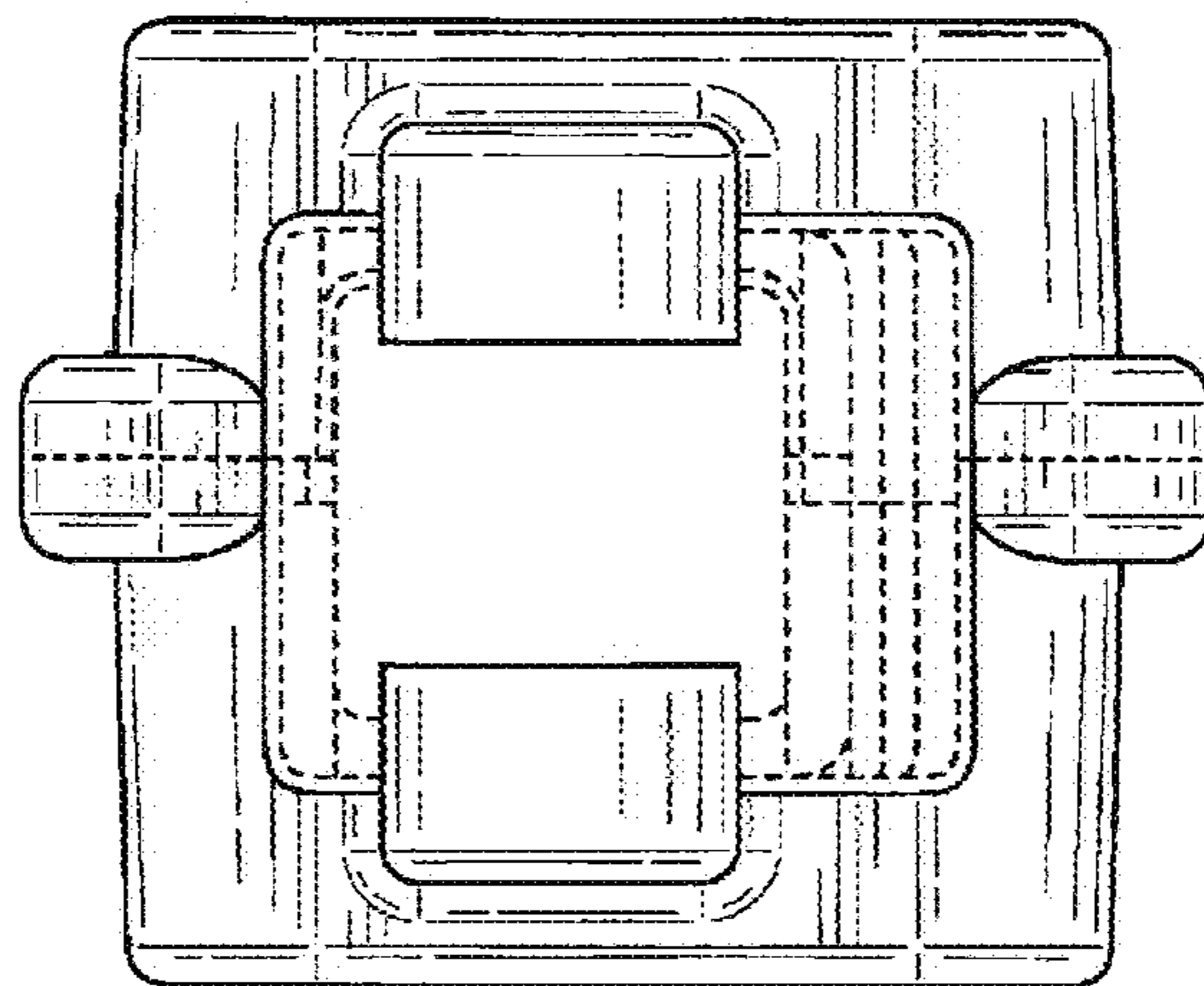


FIG. 7