



US00D917151S

(12) **United States Design Patent**  
**Wang**

(10) **Patent No.:** **US D917,151 S**  
(45) **Date of Patent:** **\*\* Apr. 27, 2021**

- (54) **SUNSHADE ROTATABLE BASE**
- (71) Applicant: **Linhai Guokang Leisure Products Co., Ltd.**, Taizhou (CN)
- (72) Inventor: **Ziguo Wang**, Taizhou (CN)
- (73) Assignee: **Linhai Guokang Leisure Products Co., Ltd.**
- (\*\*) Term: **15 Years**
- (21) Appl. No.: **29/698,523**
- (22) Filed: **Jul. 17, 2019**
- (51) **LOC (13) Cl.** ..... **03-03**
- (52) **U.S. Cl.**  
USPC ..... **D3/10**
- (58) **Field of Classification Search**  
USPC ..... D3/5, 6, 10; D6/708.2, 708.22, 708.23;  
D11/181, 182; D25/42, 43, 44, 131, 133  
CPC .. A45B 23/00; A45B 2023/0037; A45B 17/00  
See application file for complete search history.

- 6,585,219 B2 \* 7/2003 Li ..... A45B 17/00  
248/521
- D485,055 S \* 1/2004 Taylor ..... D3/10
- D516,297 S \* 3/2006 Smith ..... D3/10
- D573,786 S \* 7/2008 Smith ..... D3/10
- 7,431,259 B2 \* 10/2008 Tung ..... A45B 17/00  
135/20.3
- D599,915 S \* 9/2009 Godwin ..... E04C 3/32  
D25/133
- 7,836,902 B2 \* 11/2010 Tung ..... A45B 23/00  
135/20.3
- D635,278 S \* 3/2011 Stanford ..... D25/133  
(Continued)

(56) **References Cited**

**U.S. PATENT DOCUMENTS**

- 4,753,411 A \* 6/1988 Lechner ..... E04H 12/2215  
248/156
- D305,702 S \* 1/1990 Taliani ..... D3/10
- D315,997 S \* 4/1991 Bales ..... D6/708.2
- 5,354,031 A \* 10/1994 Bilotti ..... E04H 12/2238  
248/511
- 5,918,849 A \* 7/1999 Bliss ..... A47G 33/1213  
192/223.1
- 6,367,494 B1 \* 4/2002 Tung ..... E04H 12/2238  
135/44
- 6,446,930 B1 \* 9/2002 Li ..... E04H 12/2238  
135/15.1
- 6,488,254 B2 \* 12/2002 Li ..... A45B 17/00  
135/15.1
- 6,511,033 B2 \* 1/2003 Li ..... A45B 23/00  
248/519
- D470,305 S \* 2/2003 Clarke ..... D3/10

**OTHER PUBLICATIONS**

Cantilever Patio Parasol with Swivel, caveinnovations.com, <https://www.caveinnovations.com/product/deluxe-3-5m-cantilever-patio-parasol-with-swivel-cross-base/> (Year: 2020).\*  
(Continued)

*Primary Examiner* — Steven J Cxyz

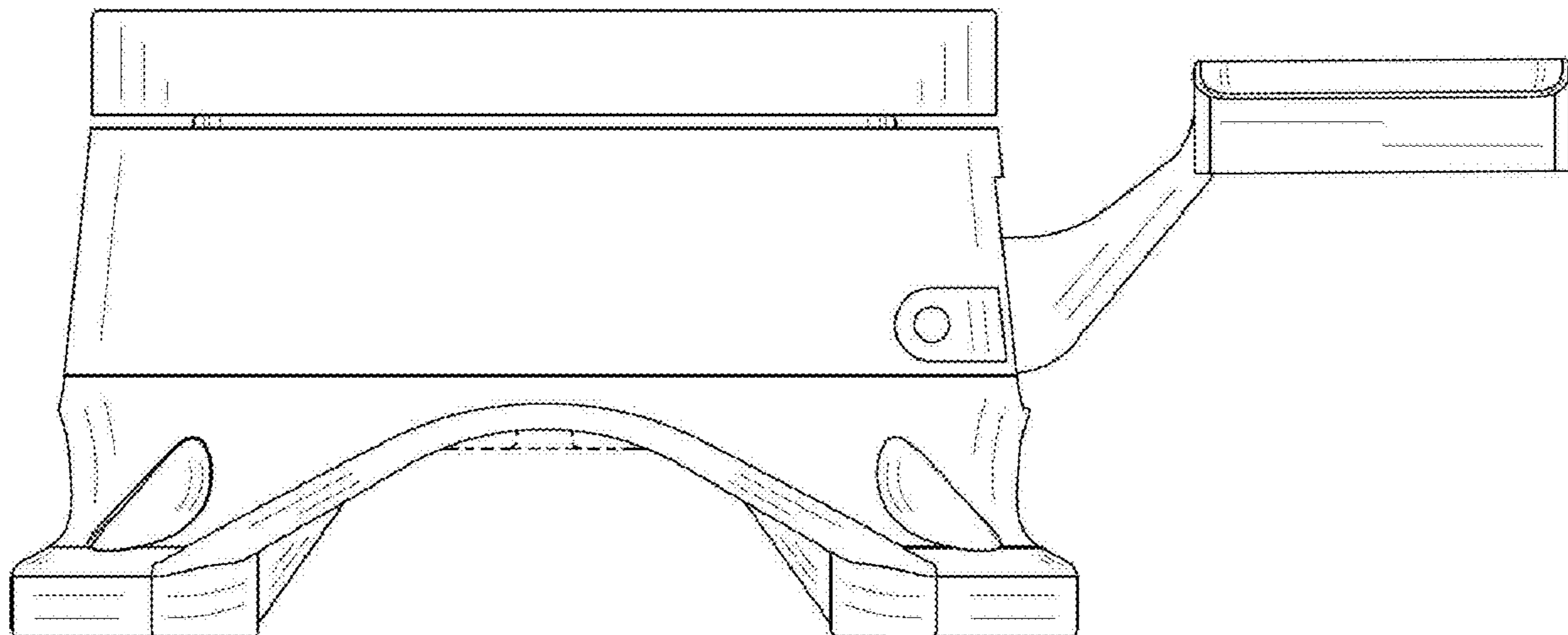
(57) **CLAIM**

The ornamental design for a sunshade rotatable base, as shown and described.

**DESCRIPTION**

FIG. 1 is a front view of a sunshade rotatable base, showing my new design;  
FIG. 2 is a back view thereof;  
FIG. 3 is a left side view thereof;  
FIG. 4 is a right side view thereof;  
FIG. 5 is a top view thereof;  
FIG. 6 is a bottom view thereof; and,  
FIG. 7 is a perspective view thereof.  
The broken lines show portions of the article not claimed and form no part of the claimed design.

**1 Claim, 7 Drawing Sheets**



(56)

**References Cited**

U.S. PATENT DOCUMENTS

D638,329 S \* 5/2011 Wu ..... D11/182  
 D673,306 S \* 12/2012 Chung ..... D25/133  
 D697,705 S \* 1/2014 Ma ..... D3/10  
 8,763,620 B1 \* 7/2014 Tung ..... A45B 17/00  
 135/20.1  
 D721,481 S \* 1/2015 Elazar ..... D3/10  
 9,057,475 B1 \* 6/2015 Macfarlane ..... E04H 12/2238  
 D741,098 S \* 10/2015 Andersen ..... D6/708.2  
 9,200,655 B2 \* 12/2015 Pan ..... F16B 9/023  
 D767,167 S \* 9/2016 Masuda ..... D25/133  
 D768,978 S \* 10/2016 Ma ..... D3/10  
 D771,935 S \* 11/2016 Ma ..... D3/10  
 9,540,840 B2 \* 1/2017 Ma ..... E04H 12/2269  
 D782,708 S \* 3/2017 Key ..... D25/133  
 9,644,385 B2 \* 5/2017 Ngu ..... A45B 17/00  
 D817,631 S \* 5/2018 Weng ..... D3/10  
 10,100,969 B1 \* 10/2018 Zhu ..... B62B 5/04  
 D833,136 S \* 11/2018 Ma ..... D3/10  
 10,813,425 B2 \* 10/2020 Shen ..... A45B 25/02

OTHER PUBLICATIONS

SimplyShade Dark Brown Mount Kit, bellacor.com, <https://www.bellacor.com/traditional-patio-umbrellas.htm?sN=4294965445+4294891298&featuredItemID=2234715> (Year: 2020).\*

\* cited by examiner

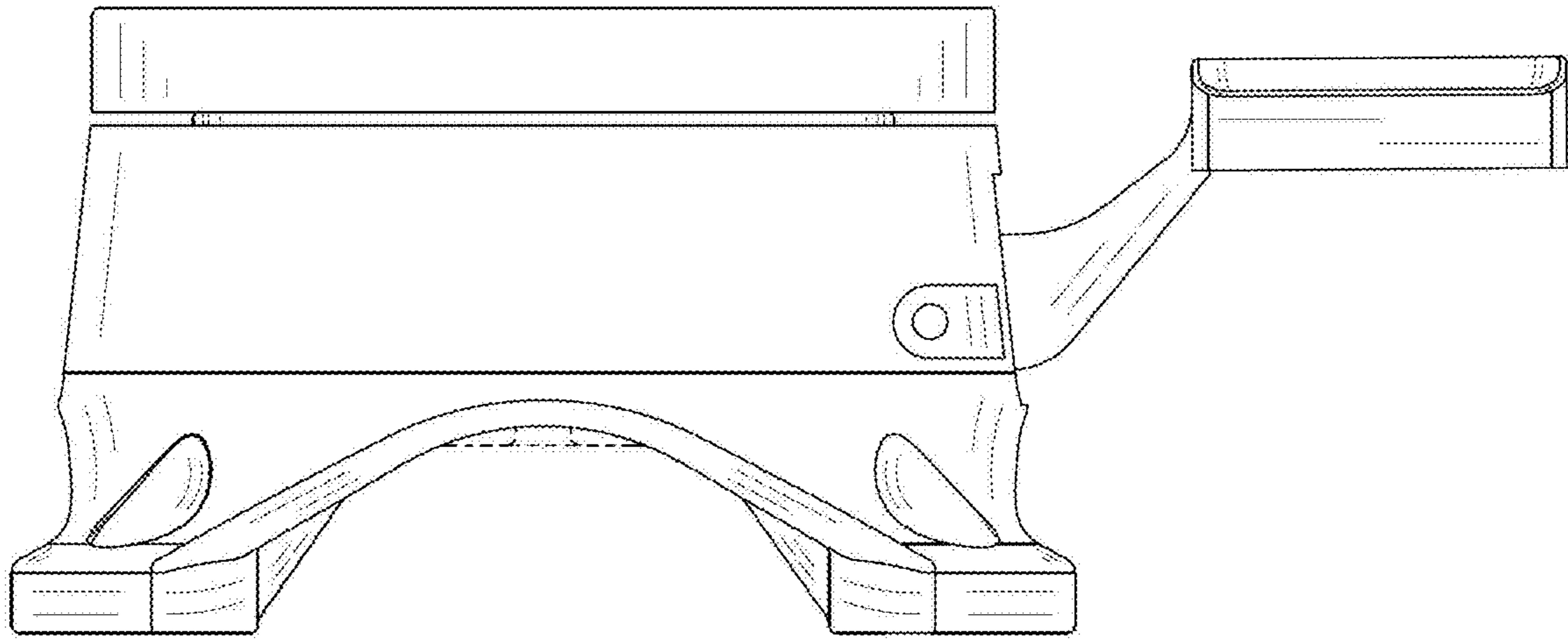


FIG. 1

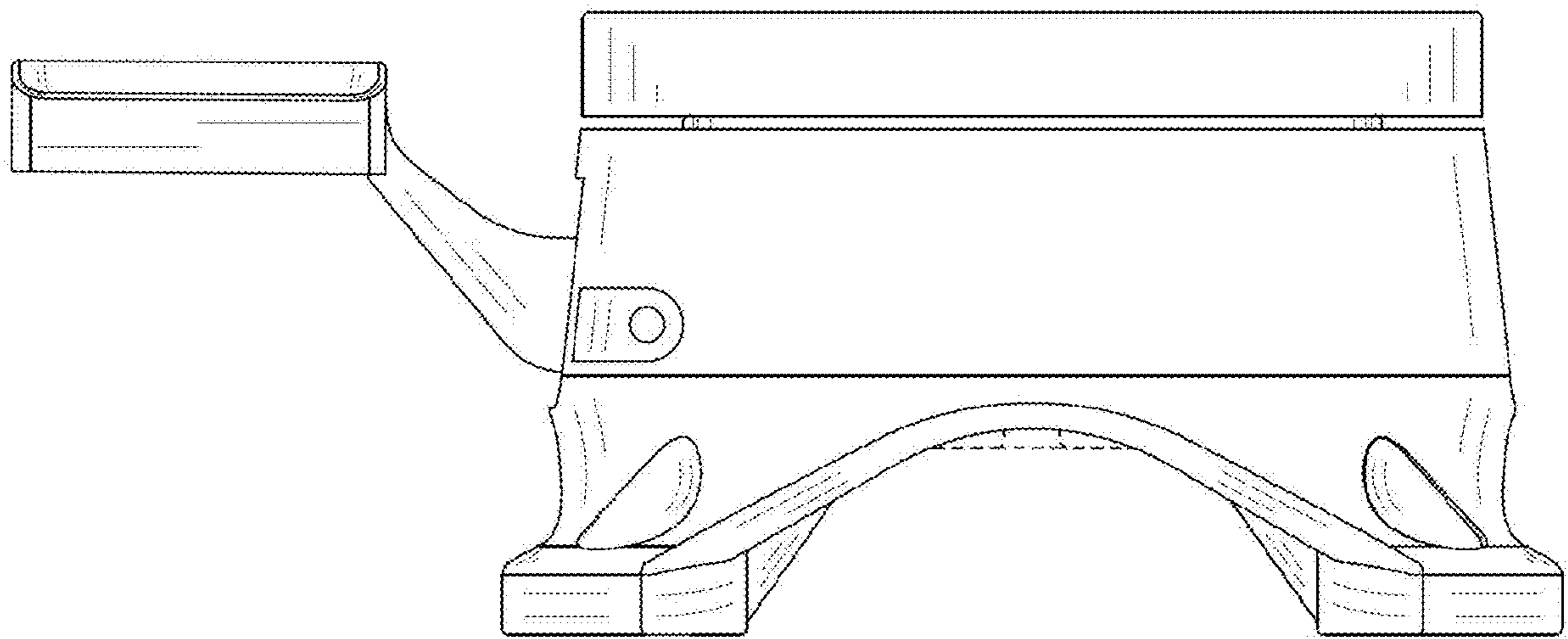


FIG. 2

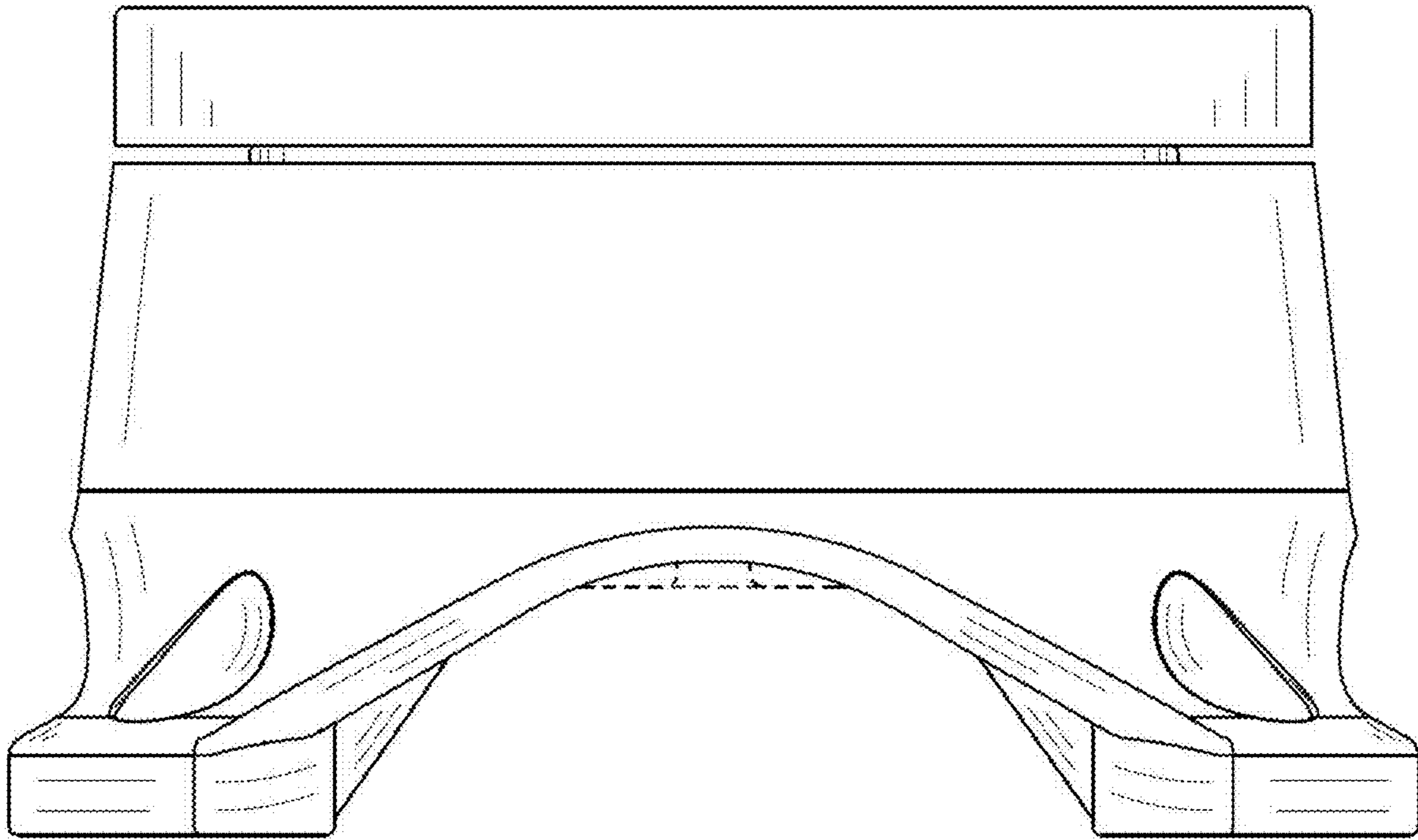


FIG. 3



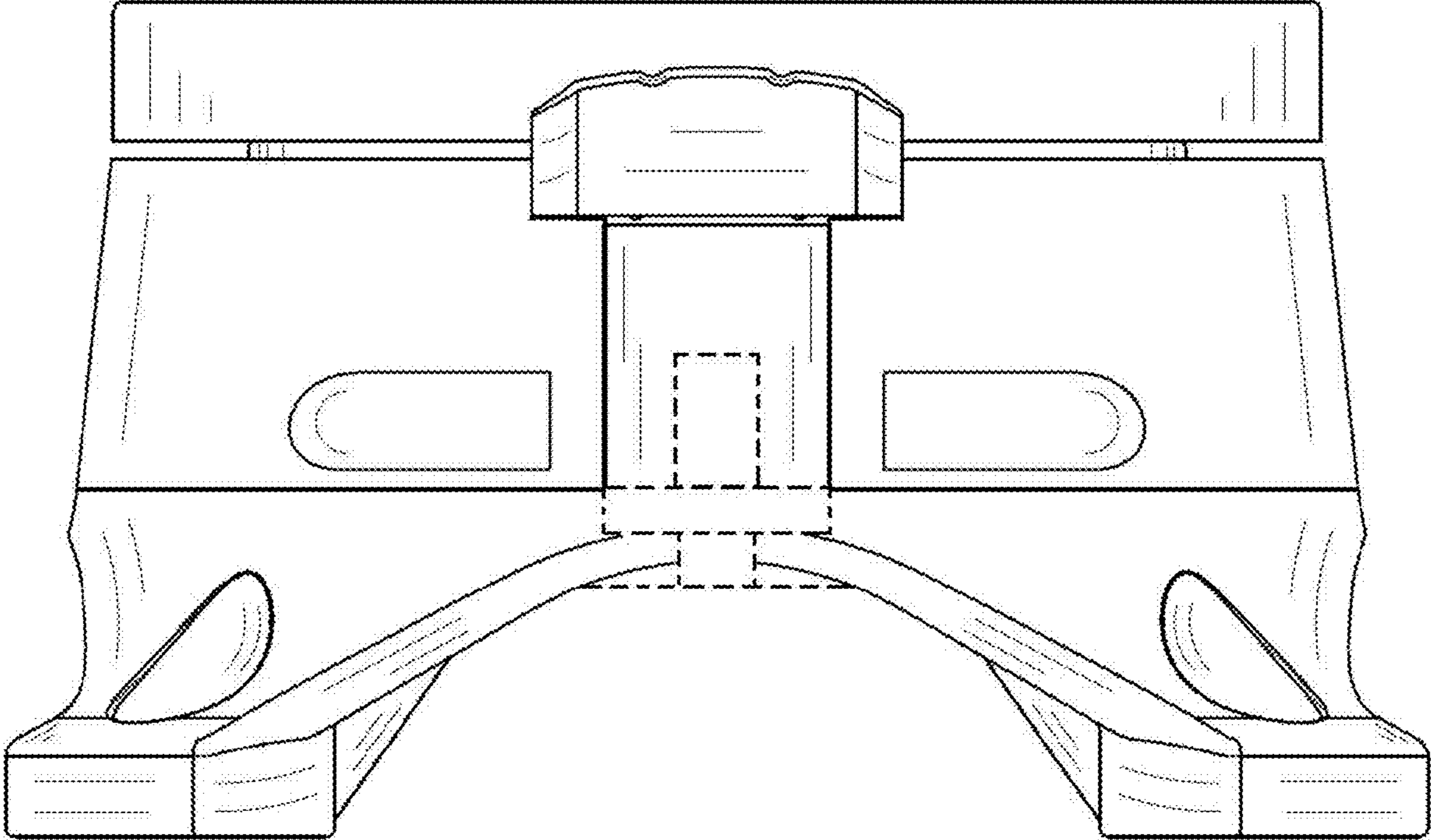


FIG. 4

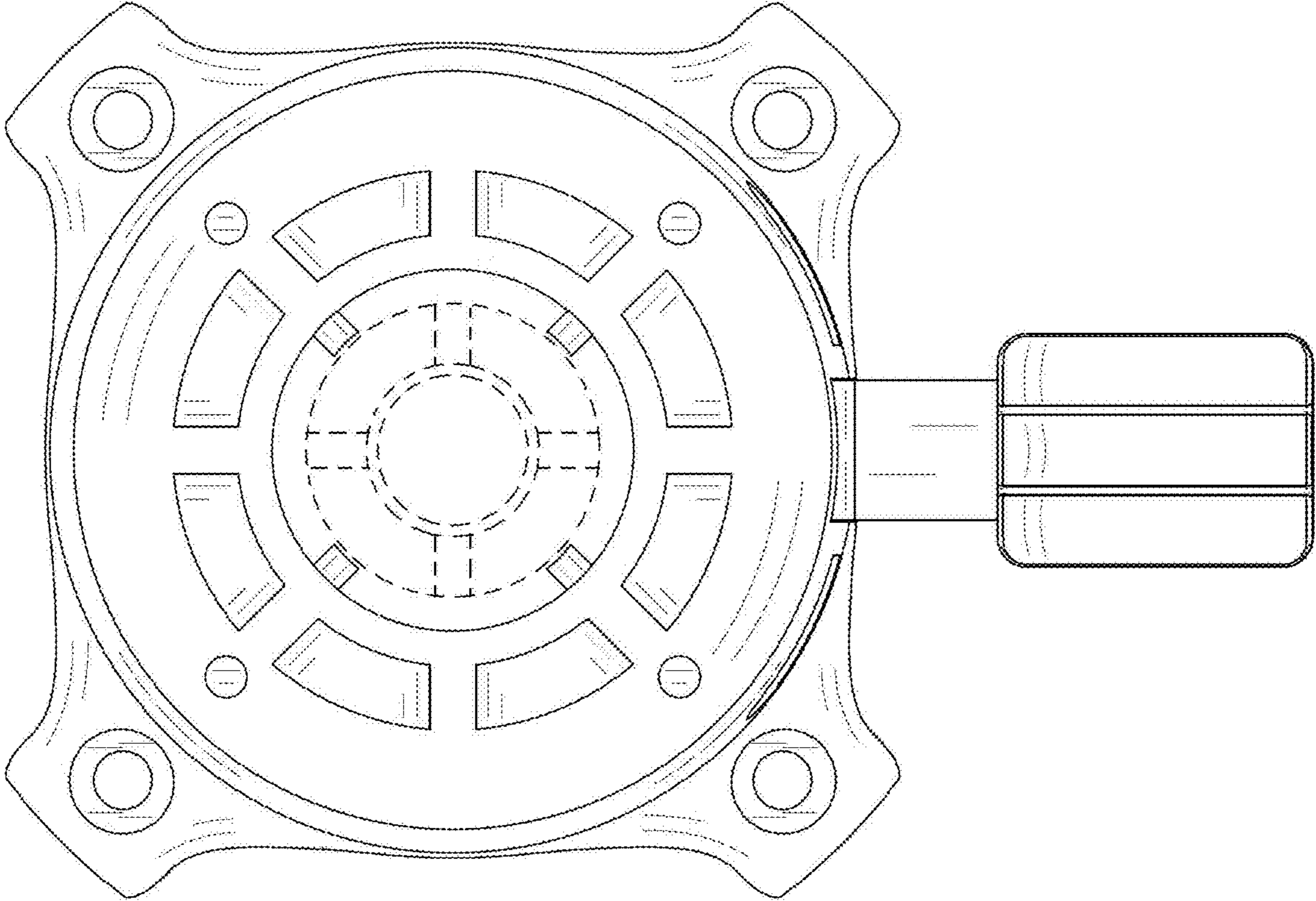


FIG. 5

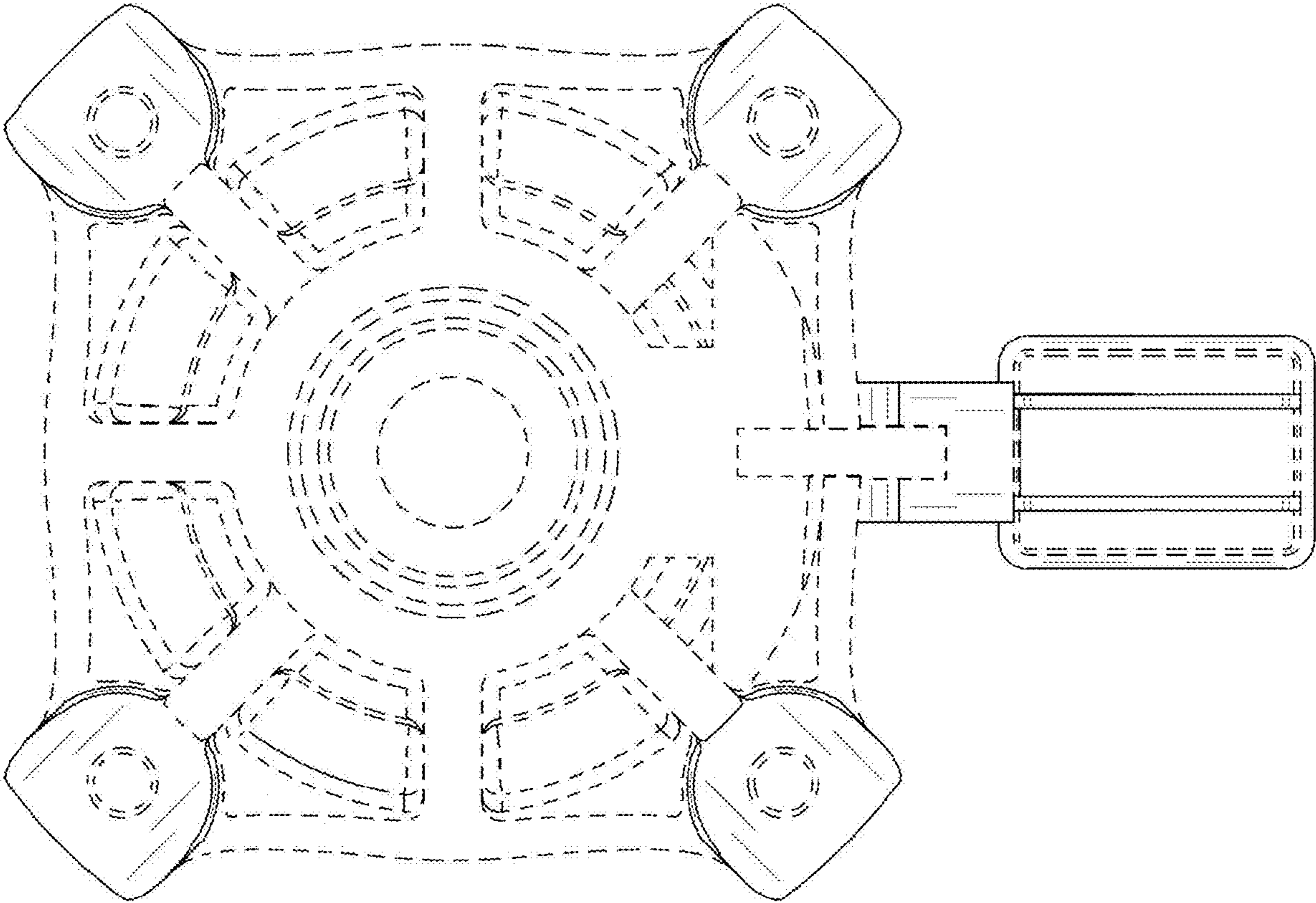


FIG. 6



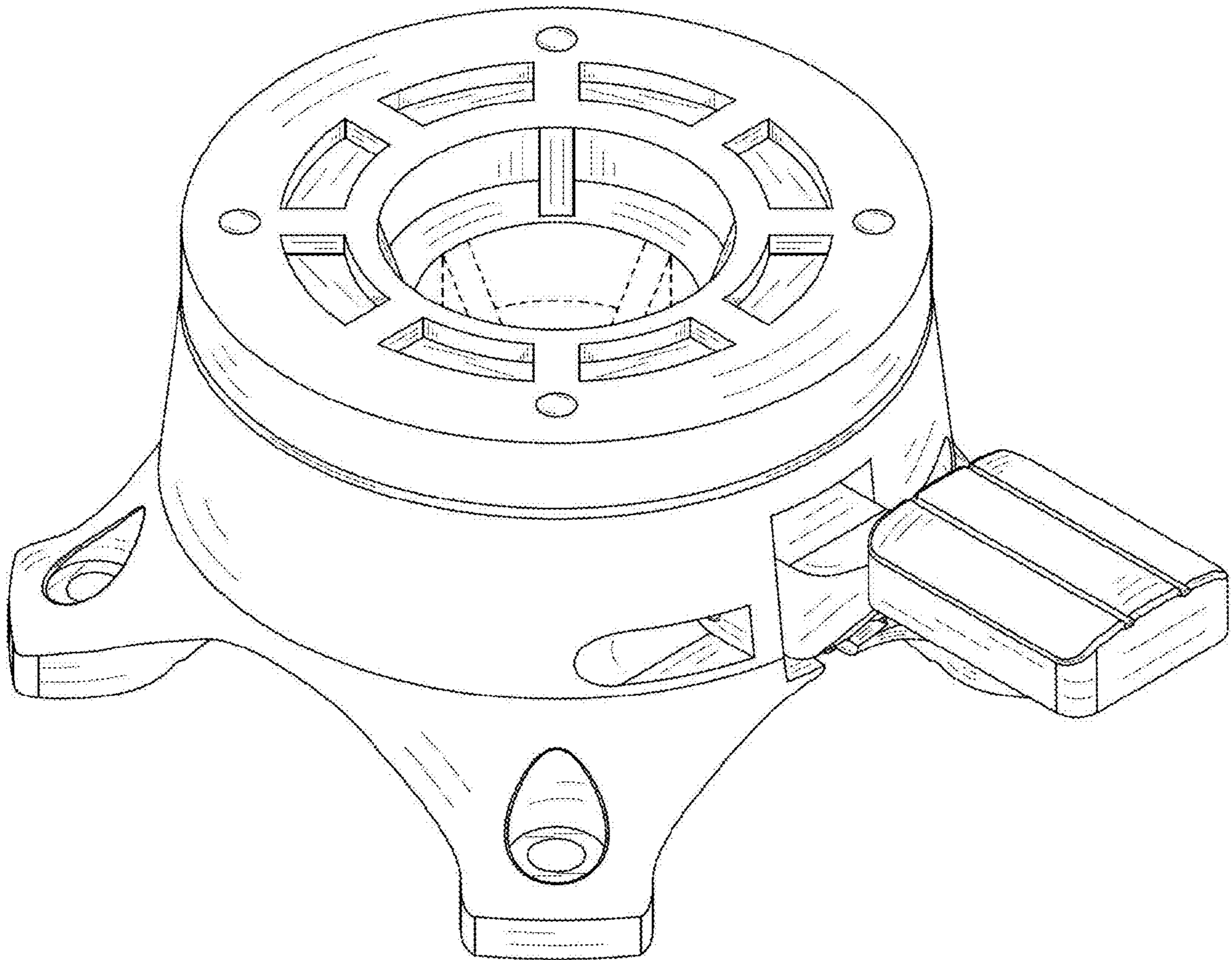


FIG. 7