



US00D917141S

(12) **United States Design Patent**
Radabaugh

(10) **Patent No.:** **US D917,141 S**

(45) **Date of Patent:** **** Apr. 27, 2021**

(54) **OUTSOLE FOR FOOTWEAR**

(71) Applicant: **Vionic Group LLC**, San Rafael, CA
(US)

(72) Inventor: **Scott Radabaugh**, Mill Valley, CA
(US)

(73) Assignee: **Vionic Group LLC**, San Rafael, CA
(US)

(**) Term: **15 Years**

(21) Appl. No.: **29/701,299**

(22) Filed: **Aug. 9, 2019**

(51) **LOC (13) Cl.** **02-04**

(52) **U.S. Cl.**
USPC **D2/953**; D2/947; D2/951; D2/960

(58) **Field of Classification Search**
USPC D2/902, 906, 908, 916, 918, 925,
D2/946-962, 977; 36/1, 1.5, 3 B, 22 R,
36/24.5, 25 R, 28, 32 R, 34 R, 59 C,
36/67 A, 101-107, 114-116, 117.3, 117.4,
36/124-136

CPC A43B 13/00; A43B 13/02; A43B 13/023;
A43B 13/026; A43B 13/04; A43B 13/08;
A43B 13/10; A43B 13/12; A43B 13/14;
A43B 13/141; A43B 13/143; A43B
13/16; A43B 13/18; A43B 13/181; A43B
13/187; A43B 13/189; A43B 13/20; A43B
13/22; A43B 13/223; A43B 13/24; A43B
13/28; A43B 13/30; A43B 13/32; A43B
13/34; A43B 13/36

See application file for complete search history.

(56) **References Cited**

U.S. PATENT DOCUMENTS

D470,998 S * 3/2003 Adreliunas D2/953
D491,717 S * 6/2004 Burg D2/951
D532,190 S * 11/2006 Scheurer D2/960

D571,087 S * 6/2008 Dillenbeck D2/947
D596,385 S * 7/2009 McDade D2/953
D643,605 S * 8/2011 Raysse D2/951

(Continued)

OTHER PUBLICATIONS

Khai Slip on, VionicShoes.com, [online], [site visited Aug. 28, 2020]. <URL: <https://www.vionicshoes.com/khai-slip-on.html?76=848>> (Year: 2020).*

(Continued)

Primary Examiner — T Chase Nelson

Assistant Examiner — Jonathan J. Han

(74) *Attorney, Agent, or Firm* — Reed Smith LLP; Nina Habib Borders

(57) **CLAIM**

The ornamental design for the outsole for footwear, as shown and described.

DESCRIPTION

FIG. 1 is a first perspective view of my ornamental design for an outsole for footwear;

FIG. 2 is a second perspective view thereof;

FIG. 3 is a right side view thereof

FIG. 4 is a left side view thereof;

FIG. 5 is a front view thereof

FIG. 6 is a rear view thereof;

FIG. 7 is a bottom view thereof;

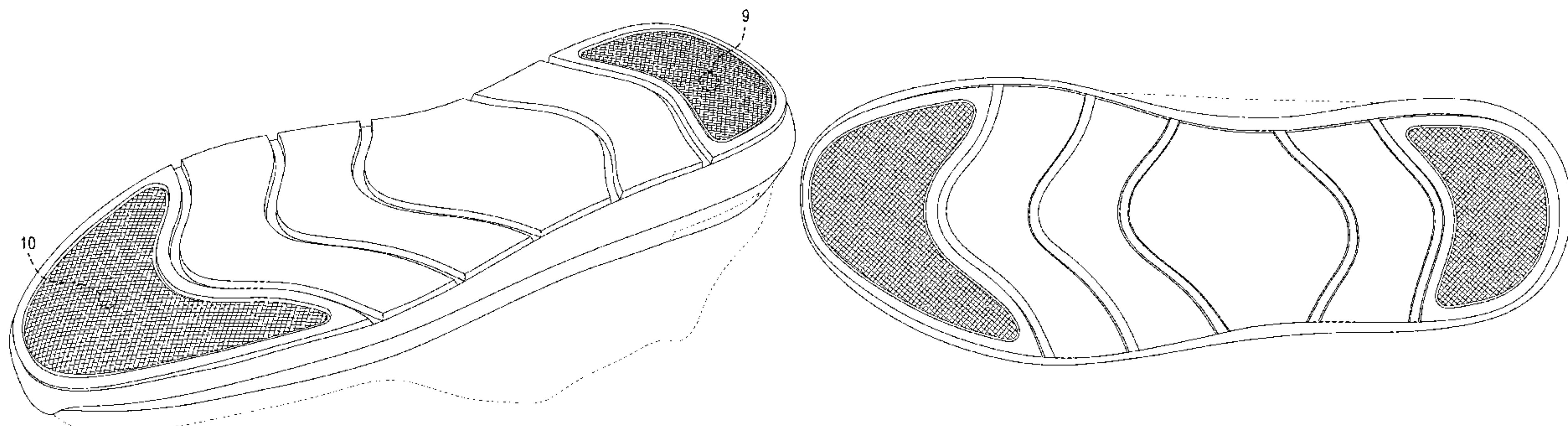
FIG. 8 is a top view thereof;

FIG. 9 is an enlargement of the tread detail shown at the heel portion of the outsole labeled “9” in FIG. 1; and,

FIG. 10 is an enlargement of the tread detail shown at the toe portion of the outsole labeled “10” in FIG. 1.

The broken lines in the drawings are used to show portions and environment that form no part of the claimed design. The thicker broken lines in FIG. 1 are used to identify areas of enlargement and also form no part of the claimed design.

1 Claim, 9 Drawing Sheets



(56)

References Cited

U.S. PATENT DOCUMENTS

D643,606 S * 8/2011 Raysse D2/951
 D679,899 S * 4/2013 Taestensen D2/953
 D688,035 S * 8/2013 Recchi D2/957
 D703,927 S * 5/2014 Taestensen D2/953
 D724,828 S * 3/2015 Lonigan D2/953
 D724,829 S * 3/2015 Lonigan D2/953
 D732,810 S * 6/2015 Healy D2/957
 D735,453 S * 8/2015 Monroy D2/957
 D746,562 S * 1/2016 Babcock D2/953
 D749,833 S * 2/2016 Hansen D2/960
 D754,424 S * 4/2016 Spring D2/960
 D802,897 S * 11/2017 Howe D2/953
 D813,509 S * 3/2018 O'Connor D2/953
 D820,568 S * 6/2018 Bray, Jr. D2/953
 D822,966 S * 7/2018 Thompson D2/953
 D843,098 S * 3/2019 Natowich McPhee D2/960
 D845,598 S * 4/2019 Loveder D2/957
 D848,722 S * 5/2019 Ruark D2/960
 D852,485 S * 7/2019 Gress D2/960

D858,060 S * 9/2019 McMillan D2/953
 D859,798 S * 9/2019 Healy D2/953
 D869,136 S * 12/2019 Natowich McPhee D2/957
 D876,774 S * 3/2020 Petrenka D2/953
 D880,124 S * 4/2020 Seamarks D2/953
 D884,325 S * 5/2020 O'Connor D2/953
 D886,428 S * 6/2020 Natowich McPhee D2/960
 D889,092 S * 7/2020 Verfl D2/954
 D889,792 S * 7/2020 O'Connor D2/953

OTHER PUBLICATIONS

Curtis Slip On, VionicShoes.com, [online], [site visited Aug. 28, 2020]. <URL: <https://www.vionicshoes.com/curtis-slip-on.html>> (Year: 2020).*

Georgia Boot: Men's 11" Steel Toe Pull-On Work Boot with Wedge Outsole—Style #G5353, Overstock.com, [online], [site visited Aug. 28, 2020]. <URL: <https://www.overstock.com/Clothing-Shoes/Georgia-Boot-Mens-11-Steel-Toe-Pull-On-Work-Boots-with-Wedge-Outsole-Style-G5353/27784410/product.html>> (Year: 2020).*

* cited by examiner

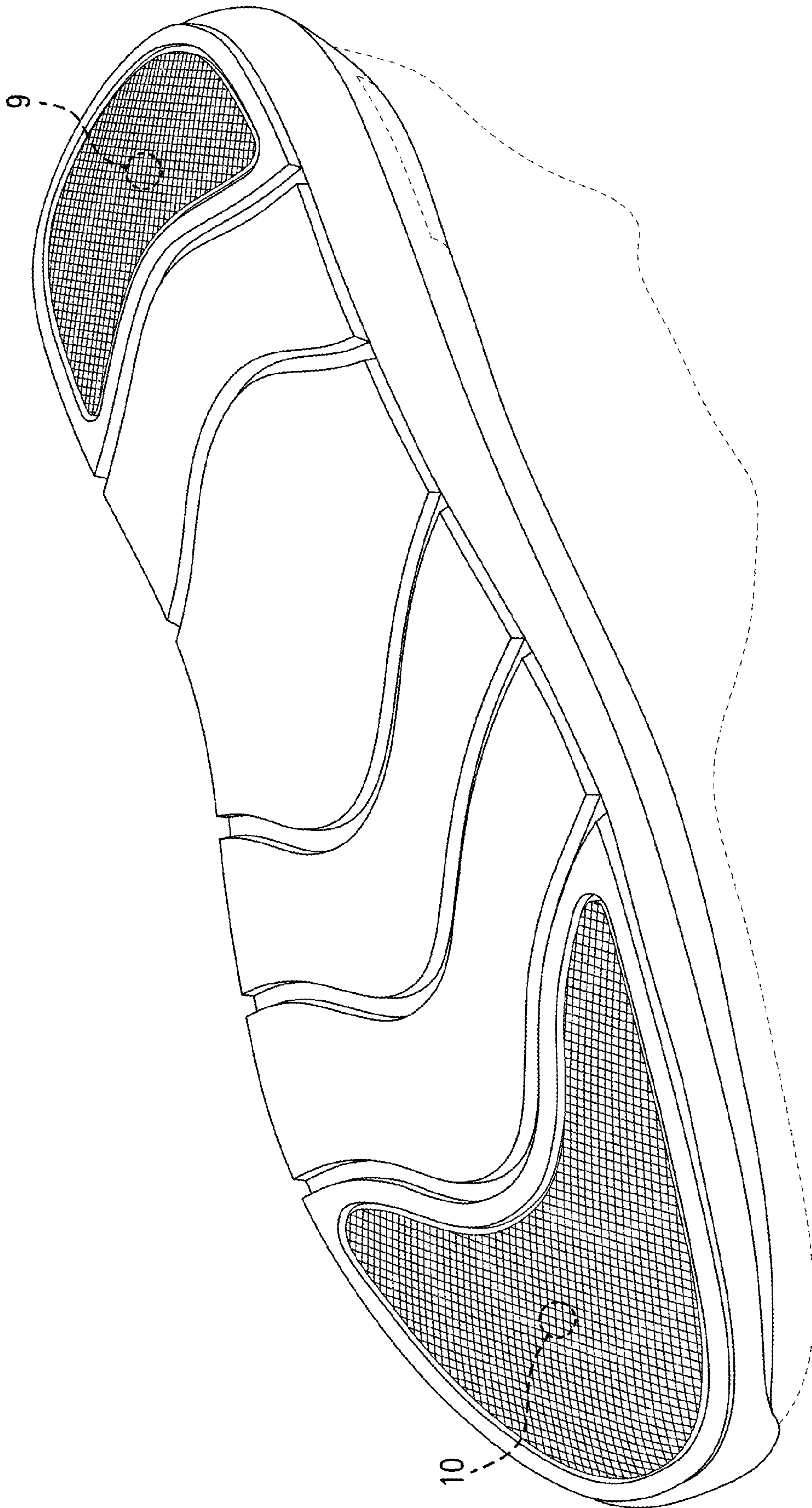


FIG. 1

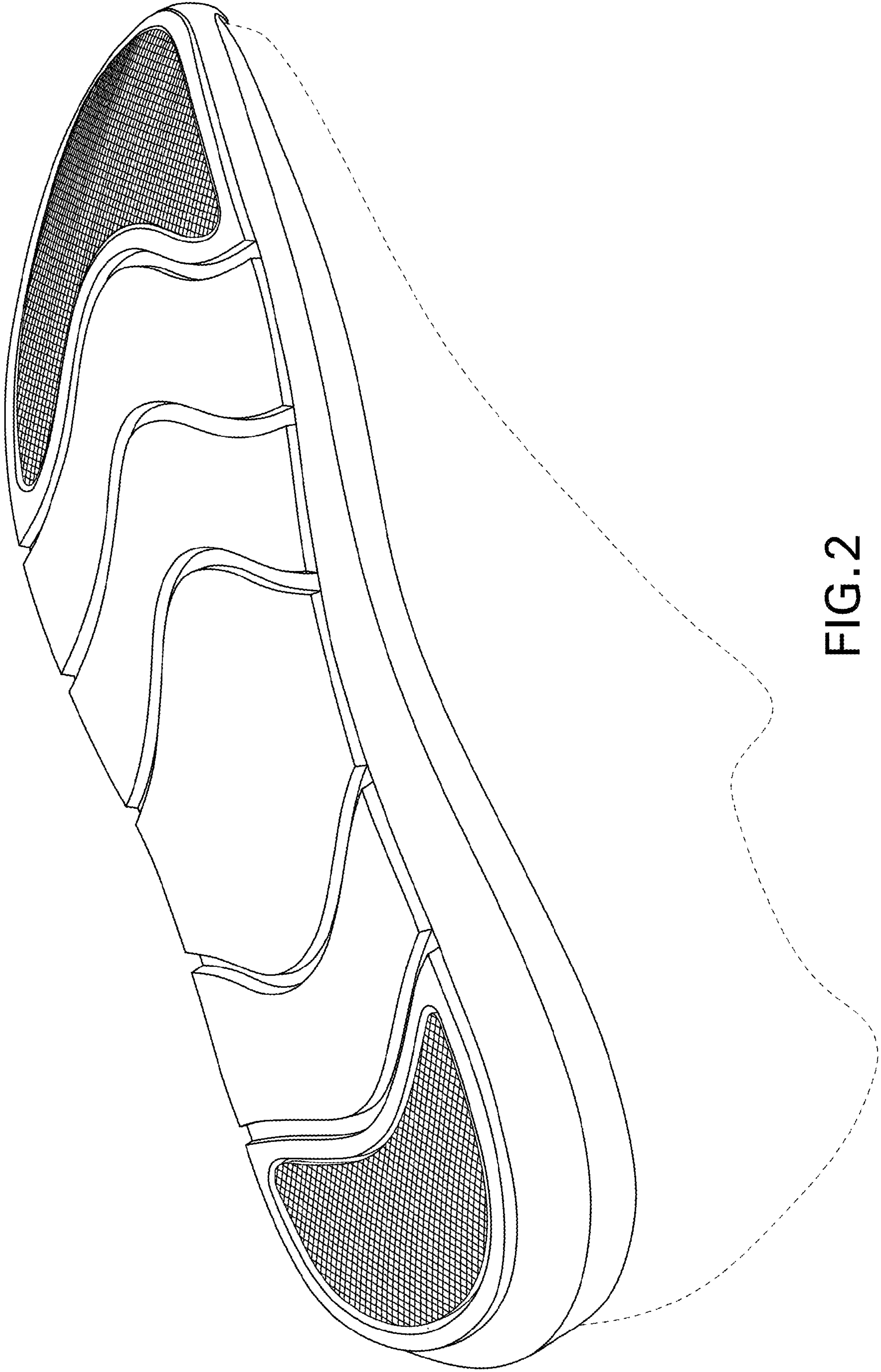


FIG.2

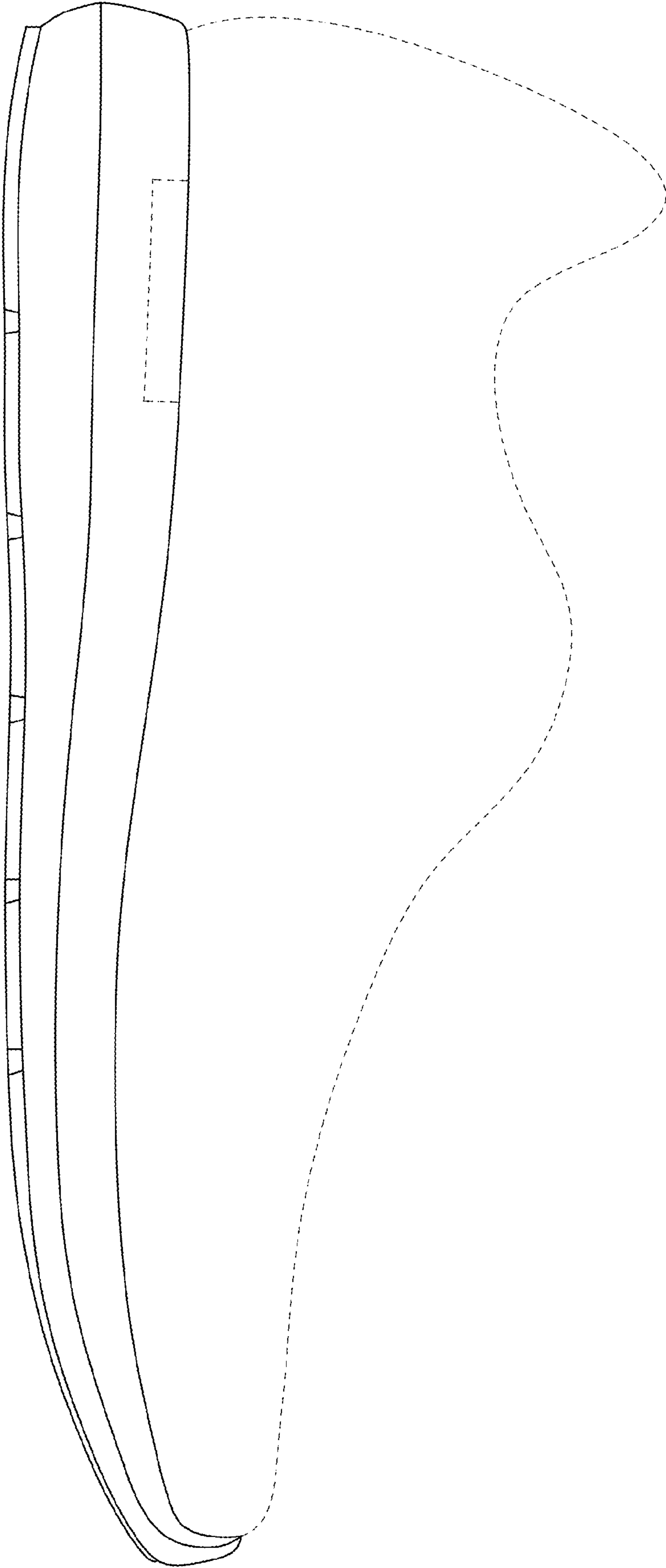


FIG. 3

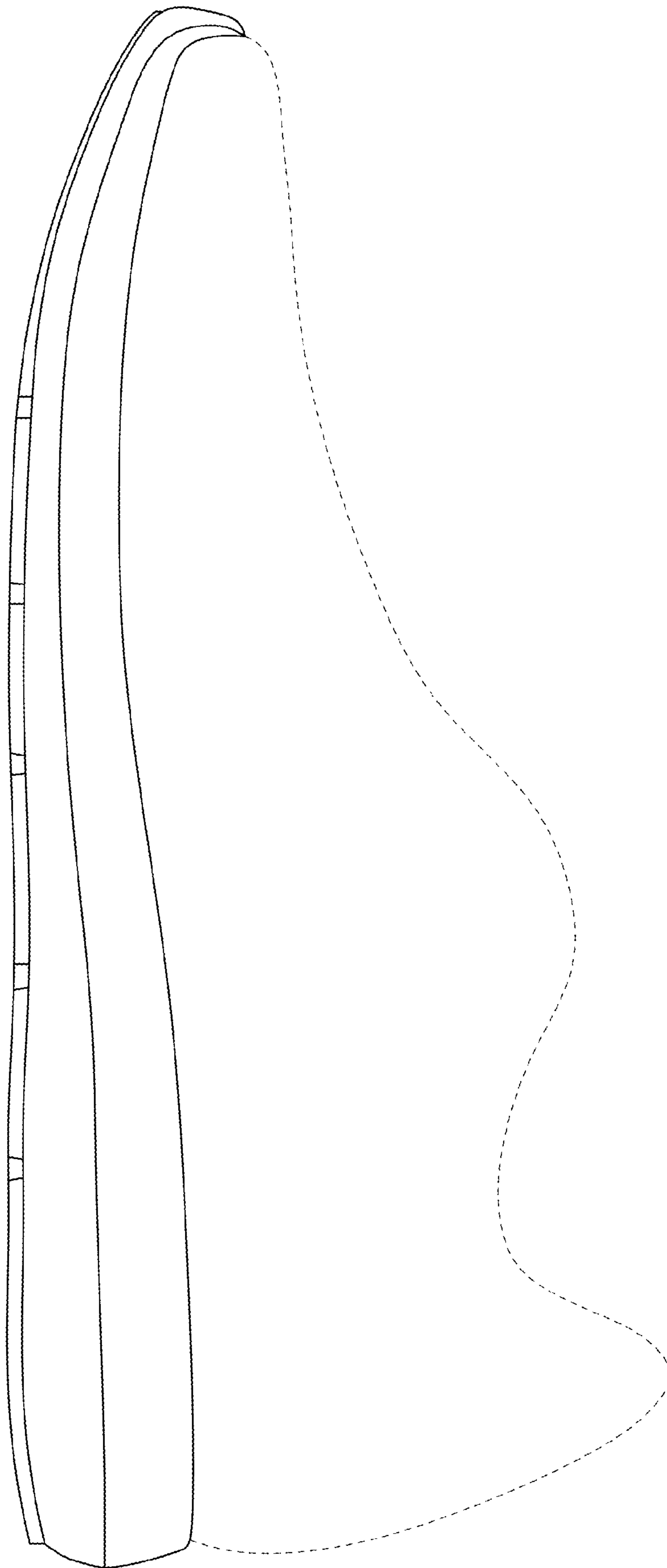


FIG. 4

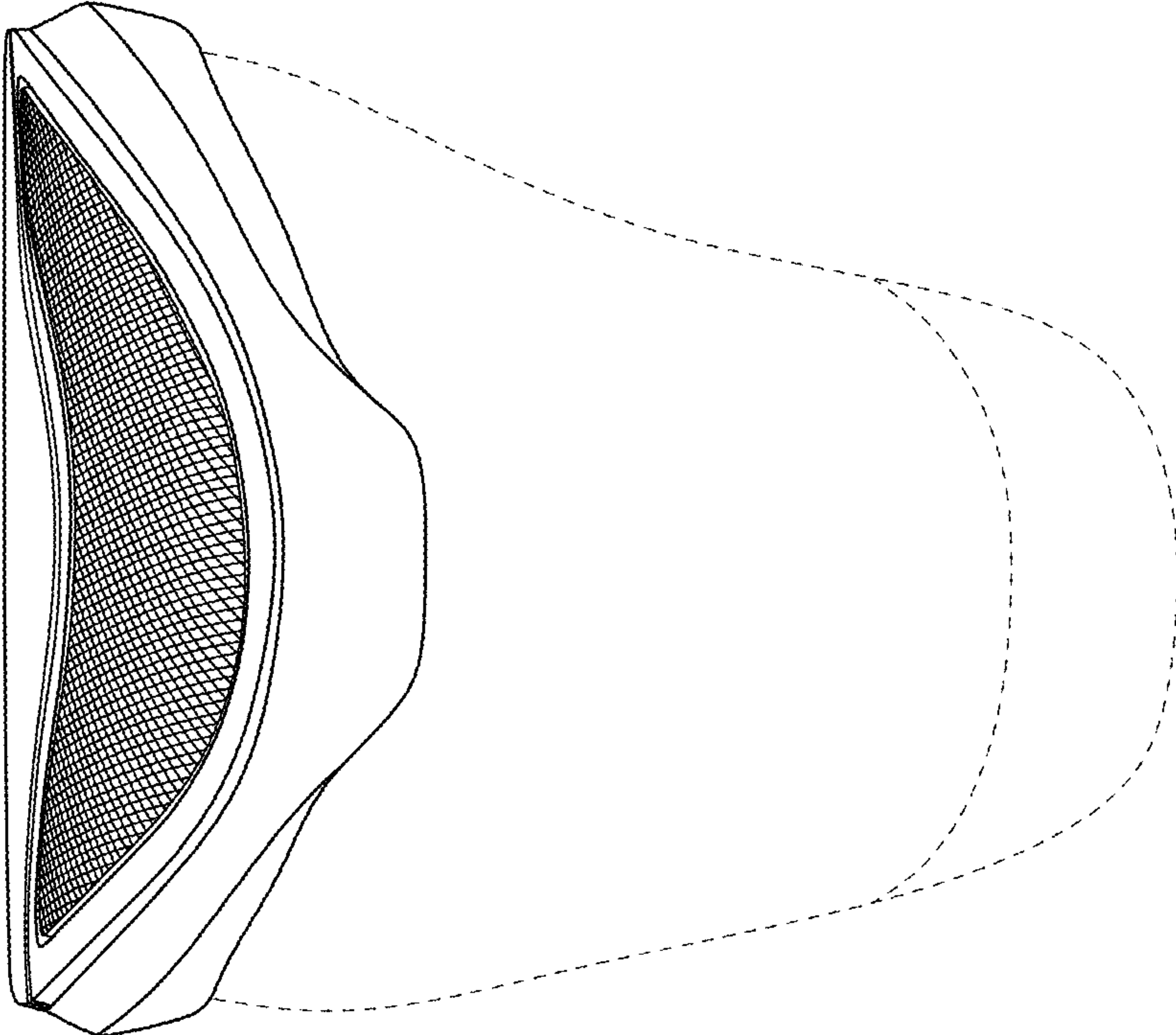


FIG. 5

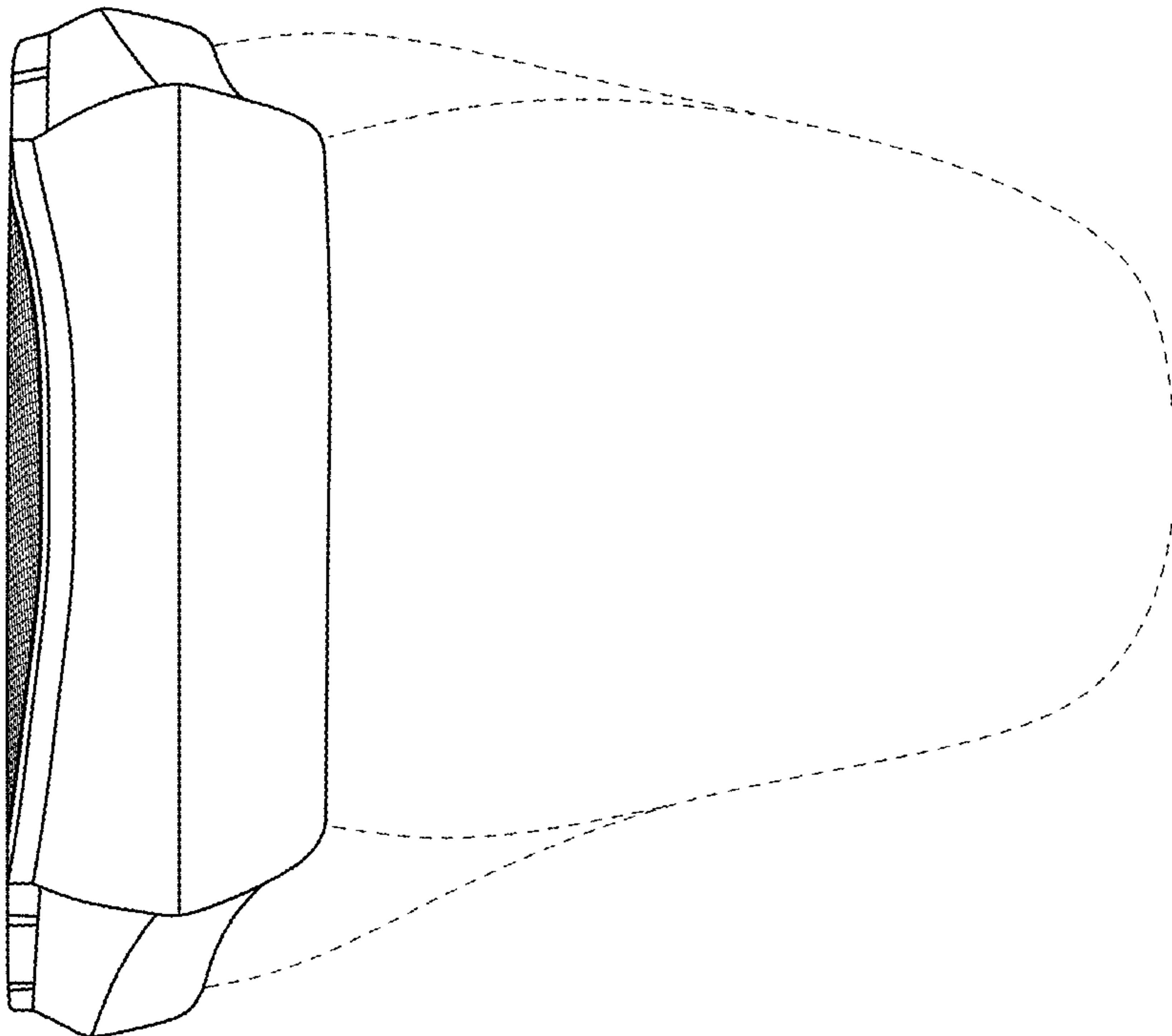


FIG. 6

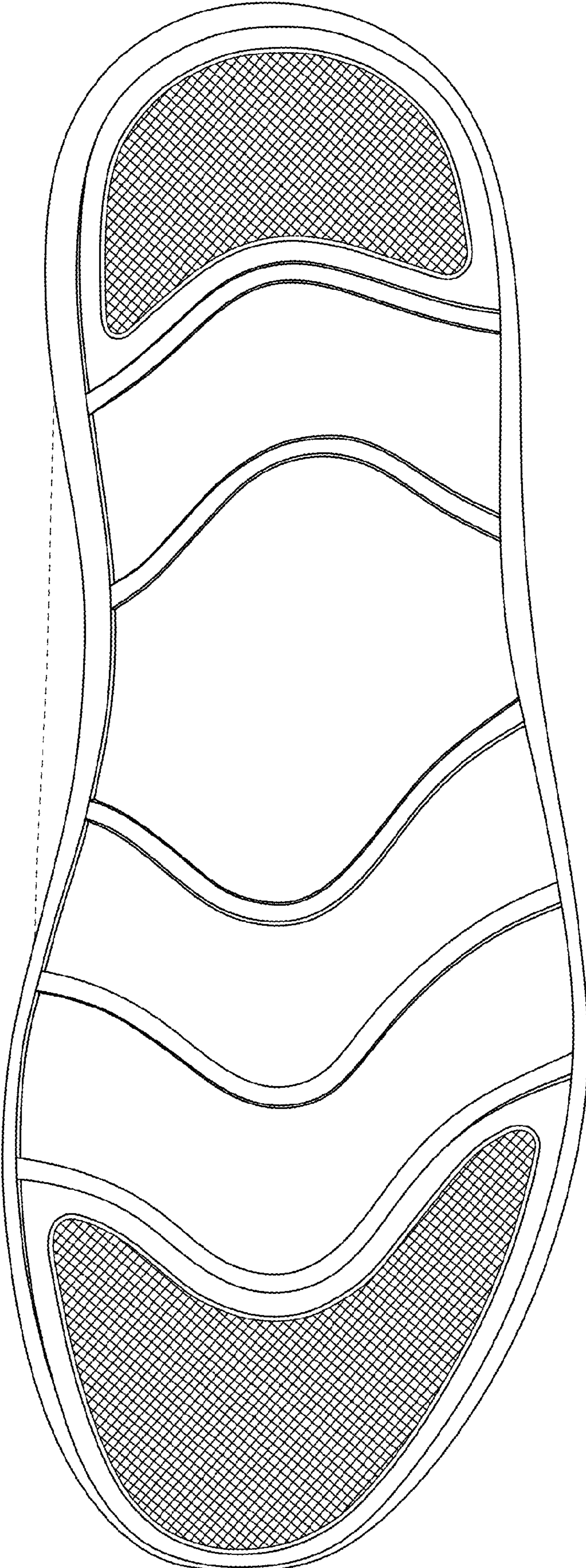


FIG. 7

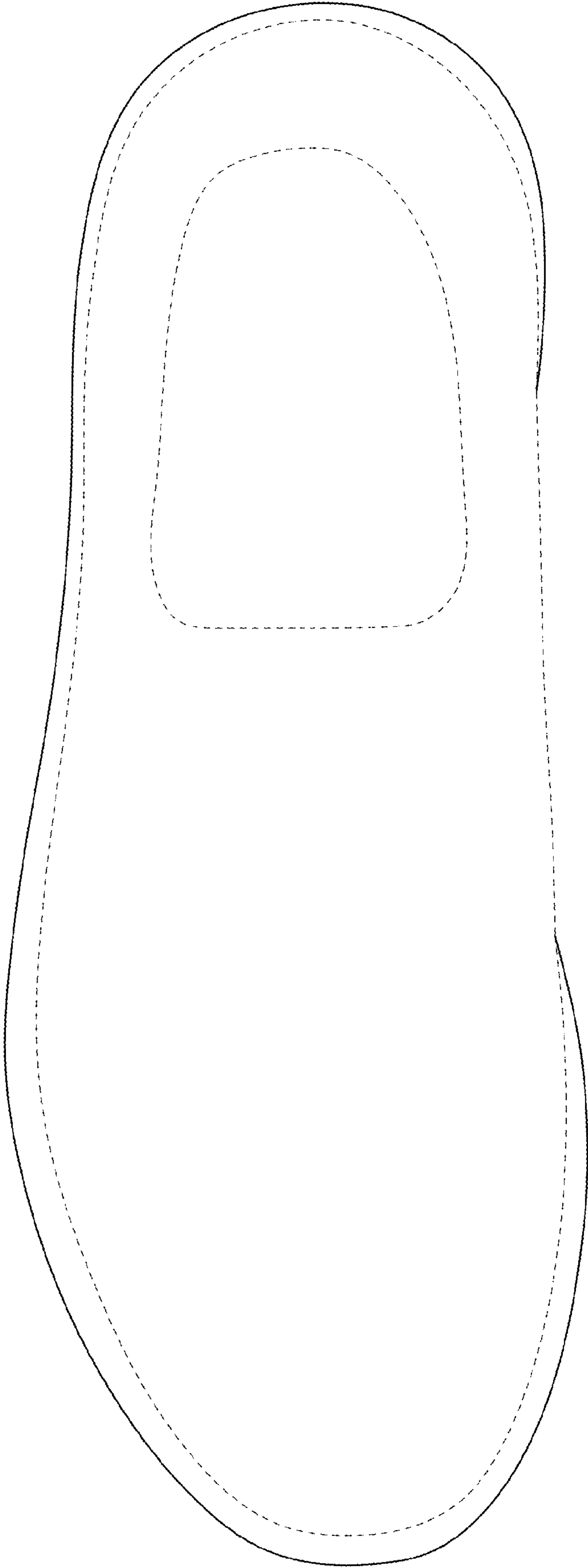


FIG. 8

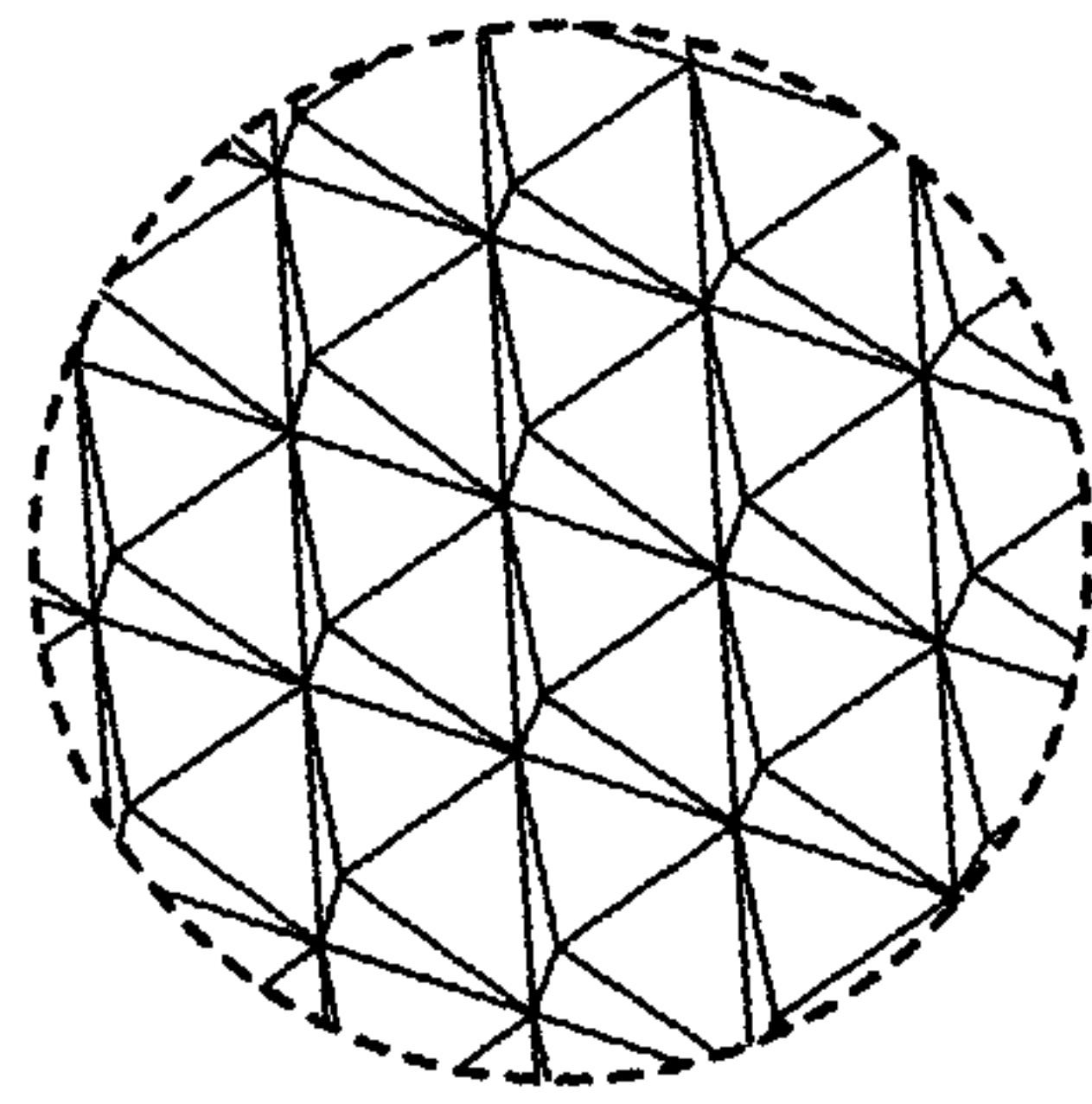


FIG. 10

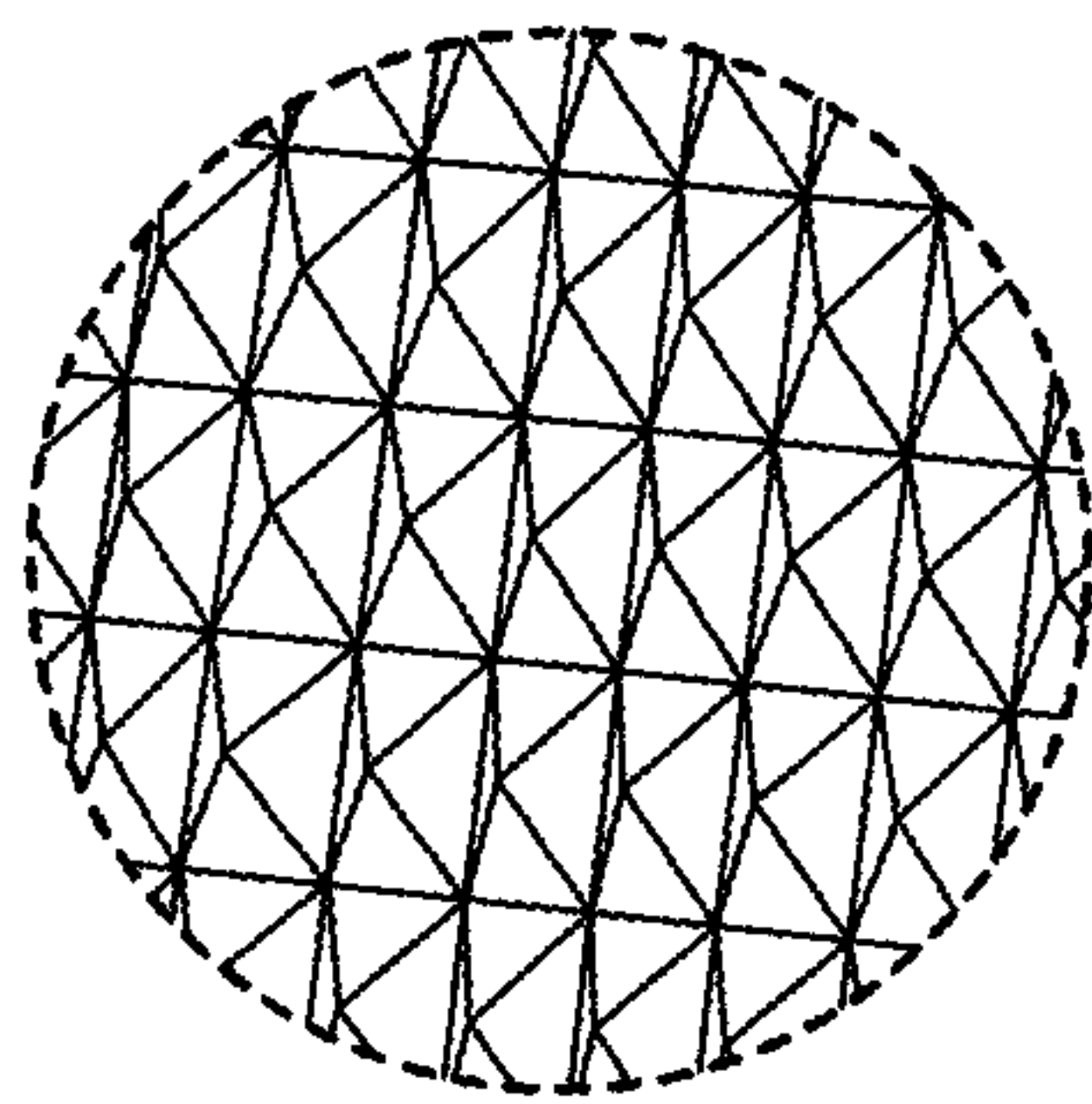


FIG. 9