



US00D917139S

(12) **United States Design Patent** (10) **Patent No.:** **US D917,139 S**  
**Nawa et al.** (45) **Date of Patent:** **\*\* Apr. 27, 2021**

(54) **FOOTWEAR TREAD**

(71) Applicant: **W-D Apparel Company, LLC**,  
Wilmington, DE (US)

(72) Inventors: **Nick Nawa**, Newburyport, MA (US);  
**Kevin Pagdon**, Newmarket, NH (US);  
**Jenna Lee Nadeau**, Hooksett, NH (US)

(73) Assignee: **IW APPAREL, LLC**, Wilmington, DE  
(US)

(\*\*) Term: **15 Years**

(21) Appl. No.: **29/690,159**

(22) Filed: **May 6, 2019**

(51) **LOC (13) Cl.** ..... **02-04**

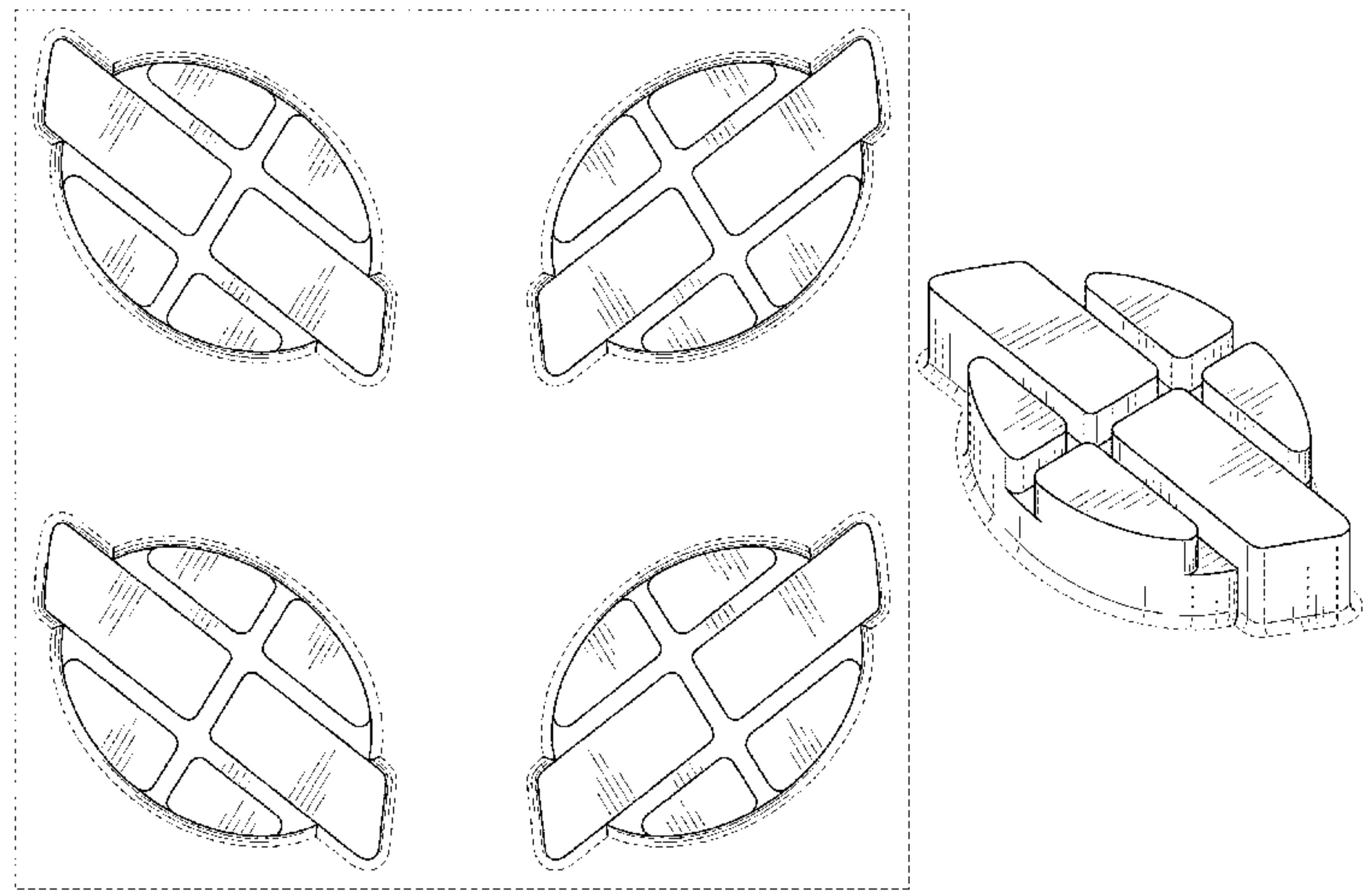
(52) **U.S. Cl.**  
USPC ..... **D2/951**; D2/956; D2/957; D2/960

(58) **Field of Classification Search**  
USPC ..... D2/902, 906, 908, 916, 918, 925,  
D2/946-962, 972, 977; 36/3 B, 22 R,  
36/24.5, 25 R, 28, 32 R, 34 R, 59 C,  
36/67 A, 103  
CPC ..... A43B 13/00; A43B 13/02; A43B 13/023;  
A43B 13/026; A43B 13/04; A43B 13/08;  
A43B 13/10; A43B 13/12; A43B 13/14;  
A43B 13/141; A43B 13/143; A43B  
13/16; A43B 13/18; A43B 13/181; A43B  
13/187; A43B 13/189; A43B 13/20; A43B  
13/22; A43B 13/223; A43B 13/24; A43B  
13/28; A43B 13/30; A43B 13/32; A43B  
13/34; A43B 13/36  
See application file for complete search history.

(56) **References Cited**  
U.S. PATENT DOCUMENTS

D78,502 S \* 5/1929 Blair ..... D2/954  
D113,620 S \* 3/1939 Cairns ..... D2/955  
D255,176 S \* 6/1980 Fuzita ..... D2/953  
D326,179 S \* 5/1992 Walker ..... D2/954  
5,699,627 A \* 12/1997 Castro ..... A43B 1/0045  
36/28

D431,346 S \* 10/2000 Birkenstock ..... D2/916  
6,178,662 B1 \* 1/2001 Legatzke ..... A43B 1/0009  
36/29  
6,195,920 B1 \* 3/2001 Morris ..... A43B 1/0027  
36/115  
D480,541 S \* 10/2003 Galway ..... D2/951  
D512,821 S \* 12/2005 Lee ..... D2/958  
D513,838 S \* 1/2006 Birkenstock ..... D2/916  
D564,191 S \* 3/2008 Jensen ..... D2/953  
D571,089 S \* 6/2008 Centurione ..... A43B 13/187  
D2/956  
D572,886 S \* 7/2008 Jensen ..... A43B 13/14  
D2/957  
D592,848 S \* 5/2009 Morgan ..... D2/951  
D616,187 S \* 5/2010 Moon ..... D2/957  
D619,346 S \* 7/2010 Moon ..... D2/957  
D635,342 S \* 4/2011 Youn ..... D2/951  
D652,202 S \* 1/2012 Huh ..... D2/957  
D669,844 S \* 10/2012 Ono ..... D12/604  
8,330,029 B2 \* 12/2012 Dunlop ..... B25G 1/102  
84/320  
D674,585 S \* 1/2013 Kubis ..... D2/957  
D686,403 S \* 7/2013 Denniston ..... D2/957  
D725,358 S \* 3/2015 Francis ..... D2/957  
D726,399 S \* 4/2015 Shen ..... D2/952  
D727,610 S \* 4/2015 Francis ..... D2/958  
D743,678 S \* 11/2015 Dombrow ..... D2/957  
D746,563 S \* 1/2016 Dombrow ..... D2/957  
D765,373 S \* 9/2016 Swierszczk ..... D2/957  
D765,962 S \* 9/2016 Brilliant ..... D2/958  
D767,264 S \* 9/2016 de Baere ..... D2/951  
D769,596 S \* 10/2016 Hardman ..... D2/959  
D789,056 S \* 6/2017 Tzenos ..... D2/957  
D794,932 S \* 8/2017 Parrett ..... D2/959  
D796,809 S \* 9/2017 Williams, Jr. .... D2/959  
D814,156 S \* 4/2018 Mial ..... D2/957  
D818,253 S \* 5/2018 Liu ..... D2/957  
D821,077 S \* 6/2018 Avar ..... D2/958  
D841,960 S \* 3/2019 Chow ..... D2/957  
D841,961 S \* 3/2019 Chow ..... D2/957  
D841,962 S \* 3/2019 Chow ..... D2/957  
D845,595 S \* 4/2019 Swegle ..... D2/957  
D854,293 S \* 7/2019 Mocos ..... D2/953  
D855,957 S \* 8/2019 Evans ..... D2/959  
D860,614 S \* 9/2019 Bishoff ..... D2/959  
D864,536 S \* 10/2019 Mocos ..... D2/953  
D864,537 S \* 10/2019 Mocos ..... D2/953  
D864,538 S \* 10/2019 Mocos ..... D2/953  
D879,438 S \* 3/2020 Brosseau ..... D2/959  
D880,818 S \* 4/2020 Eugene ..... B25G 1/102  
D2/902  
D881,537 S \* 4/2020 Dean ..... D2/956  
D881,542 S \* 4/2020 Lubart ..... D2/958





D885,727	S *	6/2020	Beaver	.....	D2/951
D885,729	S *	6/2020	Swierszczyk	.....	D2/953
D890,493	S *	7/2020	VanHook	.....	D2/957
D894,562	S *	9/2020	Enayah	.....	D2/954
D895,247	S *	9/2020	Rasmussen	.....	D2/957
2010/0180394	A1 *	7/2010	Lubart	.....	A47L 23/24 15/237
2018/0132565	A1 *	5/2018	Granger	.....	A43B 7/144
2019/0208858	A1 *	7/2019	Mokos	.....	A43B 13/14
2019/0208859	A1 *	7/2019	Mokos	.....	A43B 13/187
2019/0365048	A1 *	12/2019	Fontaine	.....	A43B 23/088
2020/0146389	A1 *	5/2020	Bidal	.....	A43B 13/223
2020/0245716	A1 *	8/2020	Bidal	.....	A43B 13/14

\* cited by examiner

*Primary Examiner* — T Chase Nelson  
(74) *Attorney, Agent, or Firm* — Botos Churchill IP Law LLP

(57) **CLAIM**

The ornamental design for a footwear tread, as shown and described.

**DESCRIPTION**

FIG. 1 is a perspective view of a footwear tread in accordance with a first embodiment of our design;  
 FIG. 2 is a top plan view of the footwear tread in accordance with FIG. 1;  
 FIG. 3 is a left side elevational view of the footwear tread in accordance with FIG. 1;  
 FIG. 4 is a right side elevational view of the footwear tread in accordance with FIG. 1;  
 FIG. 5 is a front elevational view of the footwear tread in accordance with FIG. 1;  
 FIG. 6 is a rear elevational view of the footwear tread in accordance with FIG. 1;  
 FIG. 7 is a perspective view of a footwear tread in accordance with a second embodiment of our design;  
 FIG. 8 is a top plan view of the footwear tread in accordance with FIG. 8;  
 FIG. 9 is a left side elevational view of the footwear tread in accordance with FIG. 8;  
 FIG. 10 is a right side elevational view of the footwear tread in accordance with FIG. 8;  
 FIG. 11 is a front elevational view of the footwear tread in accordance with FIG. 8;  
 FIG. 12 is a rear elevational view of the footwear tread in accordance with FIG. 8;  
 FIG. 13 is a perspective view of a footwear tread in accordance with a third embodiment of our design;  
 FIG. 14 is a top plan view of the footwear tread in accordance with FIG. 13;  
 FIG. 15 is a left side elevational view of the footwear tread in accordance with FIG. 13;  
 FIG. 16 is a right side elevational view of the footwear tread in accordance with FIG. 13;  
 FIG. 17 is a front elevational view of the footwear tread in accordance with FIG. 13;  
 FIG. 18 is a rear elevational view of the footwear tread in accordance with FIG. 13;  
 FIG. 19 is a perspective view of a footwear tread in accordance with a fourth embodiment of our design;  
 FIG. 20 is a top plan view of the footwear tread in accordance with FIG. 19;  
 FIG. 21 is a left side elevational view of the footwear tread in accordance with FIG. 19;

FIG. 22 is a right side elevational view of the footwear tread in accordance with FIG. 19;  
 FIG. 23 is a front elevational view of the footwear tread in accordance with FIG. 19;  
 FIG. 24 is a rear elevational view of the footwear tread in accordance with FIG. 19;  
 FIG. 25 is a perspective view of a footwear tread in accordance with a fifth embodiment of our design;  
 FIG. 26 is a top plan view of the footwear tread in accordance with FIG. 25;  
 FIG. 27 is a left side elevational view of the footwear tread in accordance with FIG. 25;  
 FIG. 28 is a right side elevational view of the footwear tread in accordance with FIG. 25;  
 FIG. 29 is a front elevational view of the footwear tread in accordance with FIG. 25;  
 FIG. 30 is a rear elevational view of the footwear tread in accordance with FIG. 25;  
 FIG. 31 is a perspective view of a footwear tread in accordance with a sixth embodiment of our design;  
 FIG. 32 is a top plan view of the footwear tread in accordance with FIG. 31;  
 FIG. 33 is a left side elevational view of the footwear tread in accordance with FIG. 31;  
 FIG. 34 is a right side elevational view of the footwear tread in accordance with FIG. 31;  
 FIG. 35 is a front elevational view of the footwear tread in accordance with FIG. 31;  
 FIG. 36 is a rear elevational view of the footwear tread in accordance with FIG. 31;  
 FIG. 37 is a perspective view of a footwear tread in accordance with a seventh embodiment of our design;  
 FIG. 38 is a top plan view of the footwear tread in accordance with FIG. 37;  
 FIG. 39 is a left side elevational view of the footwear tread in accordance with FIG. 37;  
 FIG. 40 is a right side elevational view of the footwear tread in accordance with FIG. 37;  
 FIG. 41 is a front elevational view of the footwear tread in accordance with FIG. 37;  
 FIG. 42 is a rear elevational view of the footwear tread in accordance with FIG. 37;  
 FIG. 43 is a perspective view of a footwear tread in accordance with an eighth embodiment of our design;  
 FIG. 44 is a top plan view of the footwear tread in accordance with FIG. 43;  
 FIG. 45 is a left side elevational view of the footwear tread in accordance with FIG. 43;  
 FIG. 46 is a right side elevational view of the footwear tread in accordance with FIG. 43;  
 FIG. 47 is a front elevational view of the footwear tread in accordance with FIG. 43;  
 FIG. 48 is a rear elevational view of the footwear tread in accordance with FIG. 43;  
 FIG. 49 is a perspective view of a footwear tread in accordance with a ninth embodiment of our design;  
 FIG. 50 is a top plan view of the footwear tread in accordance with FIG. 49;  
 FIG. 51 is a left side elevational view of the footwear tread in accordance with FIG. 49;  
 FIG. 52 is a right side elevational view of the footwear tread in accordance with FIG. 49;  
 FIG. 53 is a front elevational view of the footwear tread in accordance with FIG. 49;

FIG. 54 is a rear elevational view of the footwear tread in accordance with FIG. 49;

FIG. 55 is a perspective view of a footwear tread in accordance with a tenth embodiment of our design;

FIG. 56 is a top plan view of the footwear tread in accordance with FIG. 55;

FIG. 57 is a left side elevational view of the footwear tread in accordance with FIG. 55;

FIG. 58 is a right side elevational view of the footwear tread in accordance with FIG. 55;

FIG. 59 is a front elevational view of the footwear tread in accordance with FIG. 55;

FIG. 60 is a rear elevational view of the footwear tread in accordance with FIG. 55;

FIG. 61 is a perspective view of a footwear tread in accordance with an eleventh embodiment of our design;

FIG. 62 is a top plan view of the footwear tread in accordance with FIG. 61;

FIG. 63 is a left side elevational view of the footwear tread in accordance with FIG. 61;

FIG. 64 is a right side elevational view of the footwear tread in accordance with FIG. 61;

FIG. 65 is a front elevational view of the footwear tread in accordance with FIG. 61; and,

FIG. 66 is a rear elevational view of the footwear tread in accordance with FIG. 61.

Broken lines are environmental only and form no part of the claimed design. Broken lines adjacent shaded areas of the design represent the bounds of the claimed design and are not themselves a part of the claimed design. Broken lines surrounding multiple tread elements of the footwear tread indicate an arrangement of the elements relative to one another, and are not themselves a part of the claimed design.

**1 Claim, 40 Drawing Sheets**

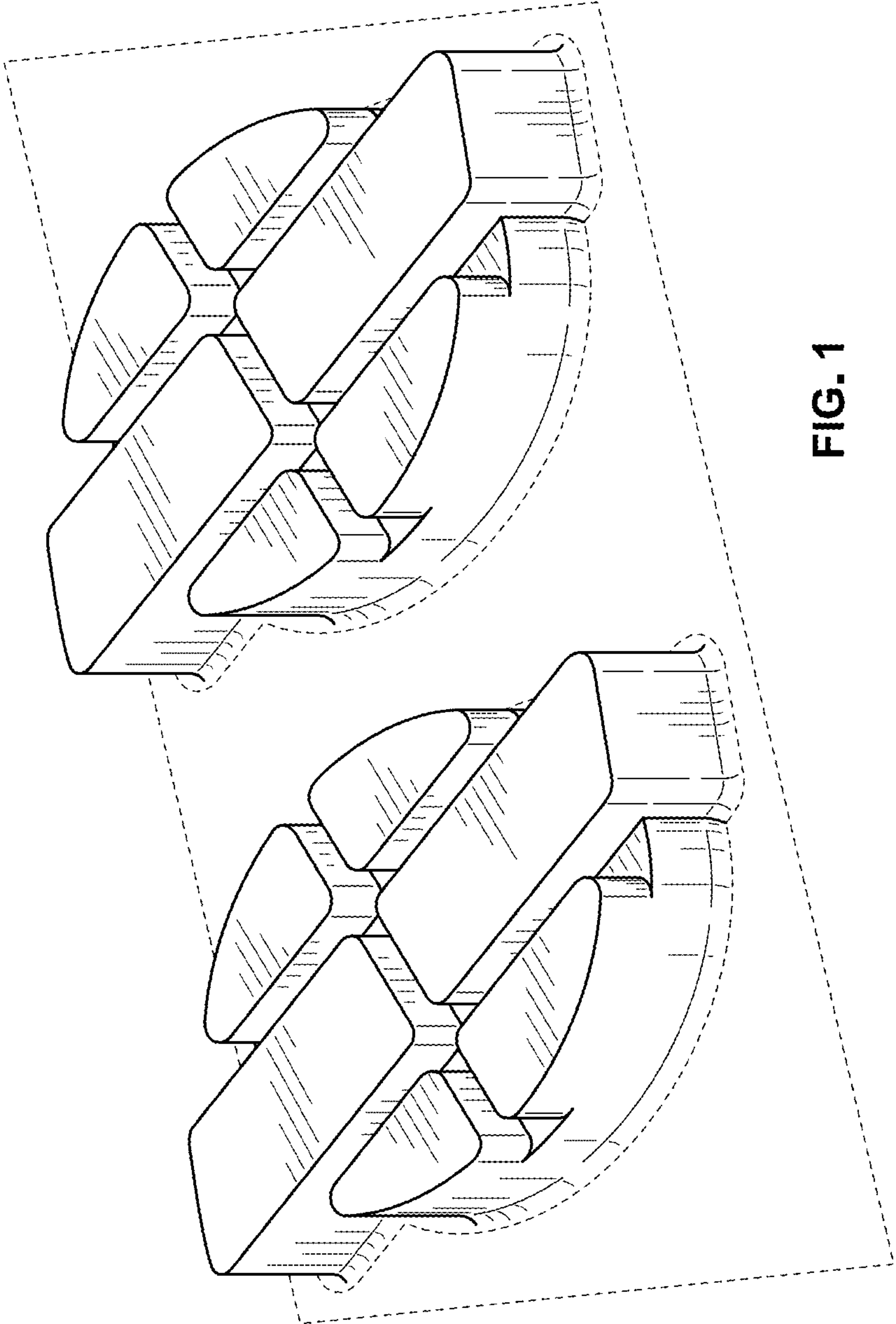


FIG. 1



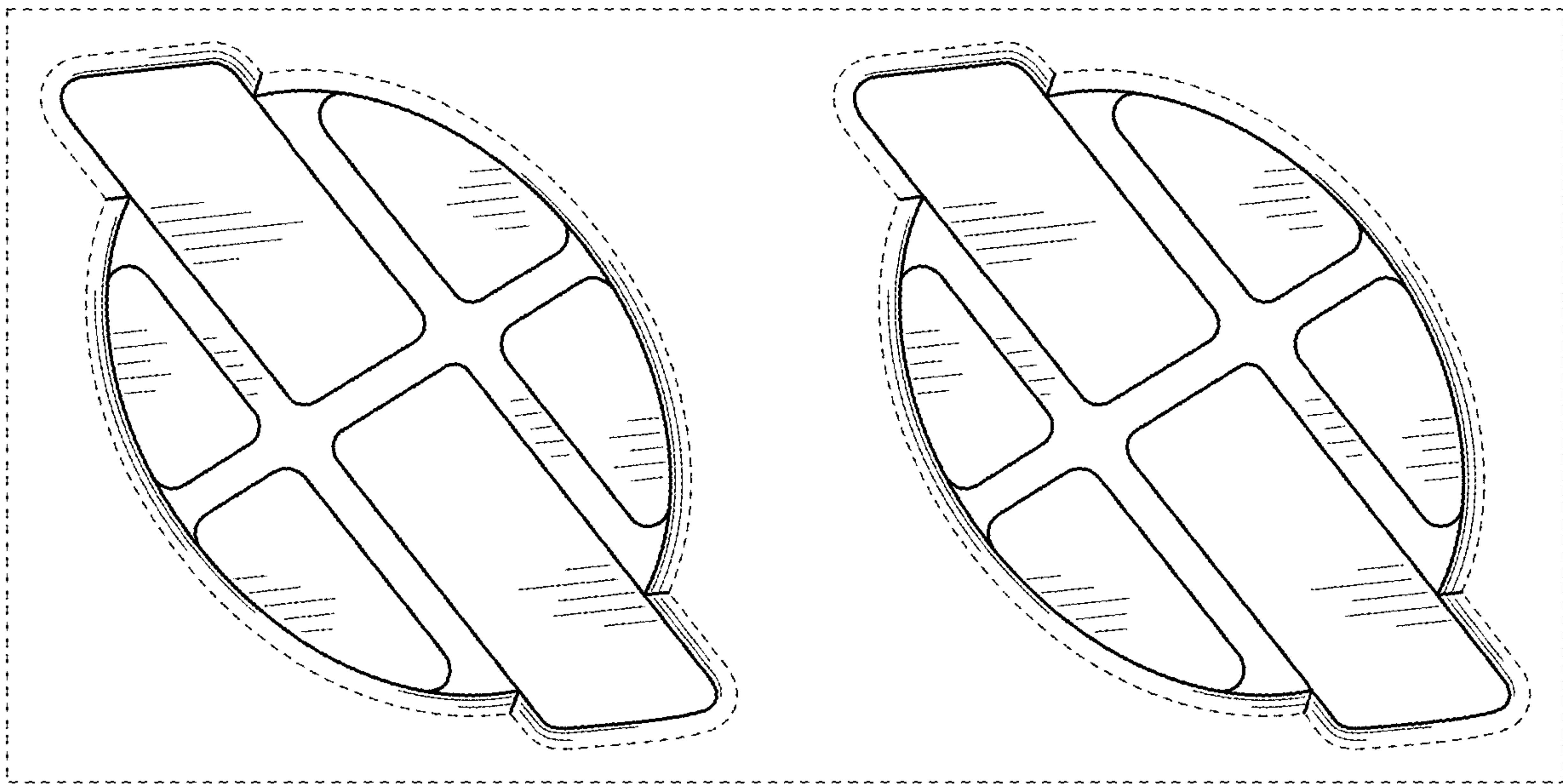


FIG. 2

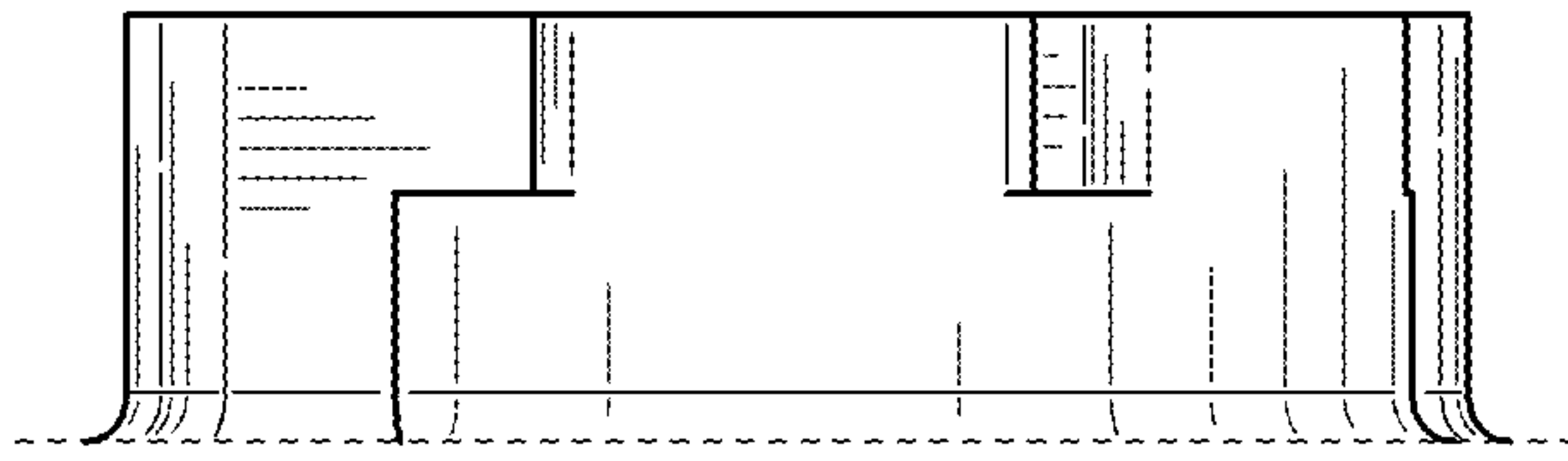


FIG. 3

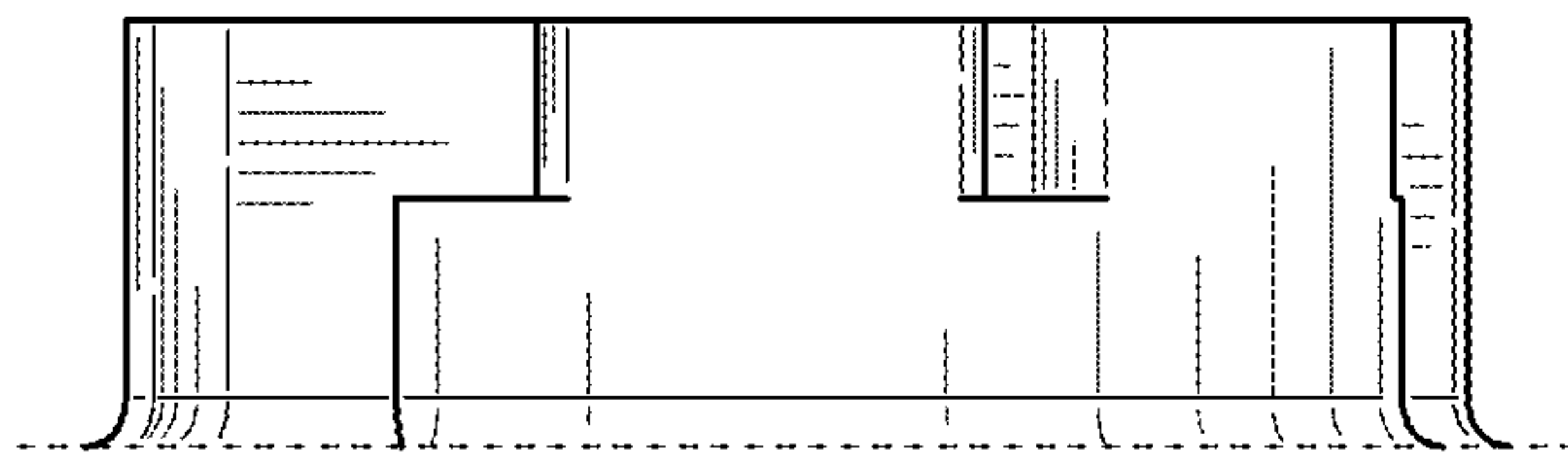


FIG. 4

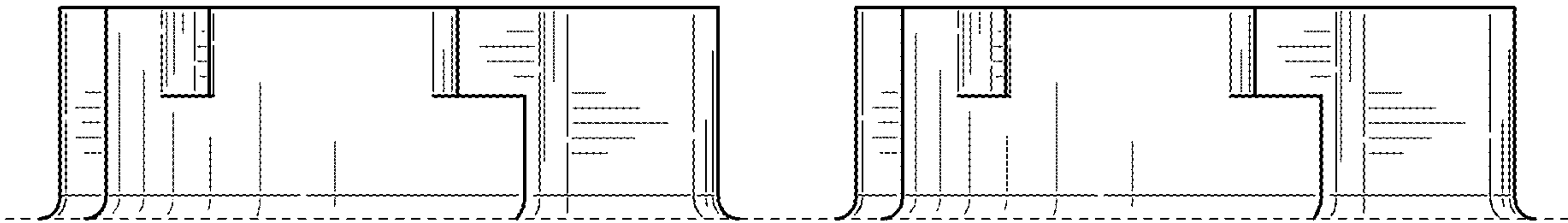


FIG. 5

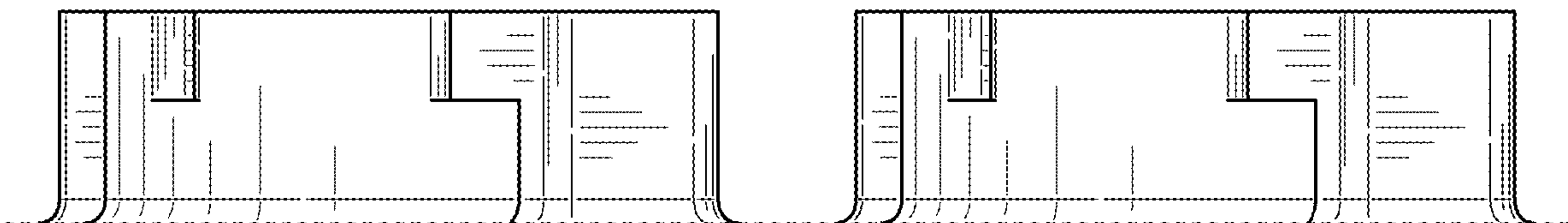


FIG. 6

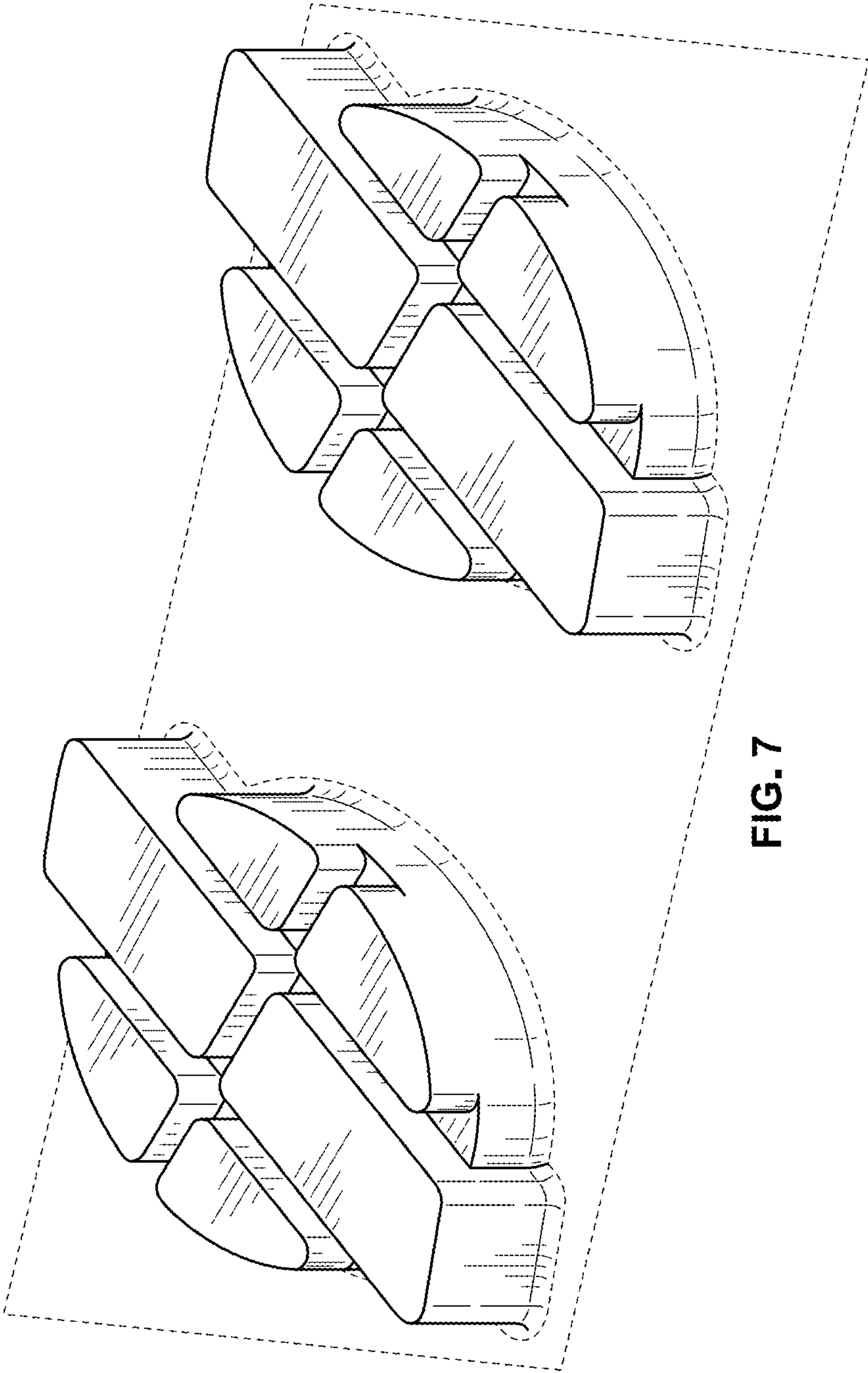


FIG. 7

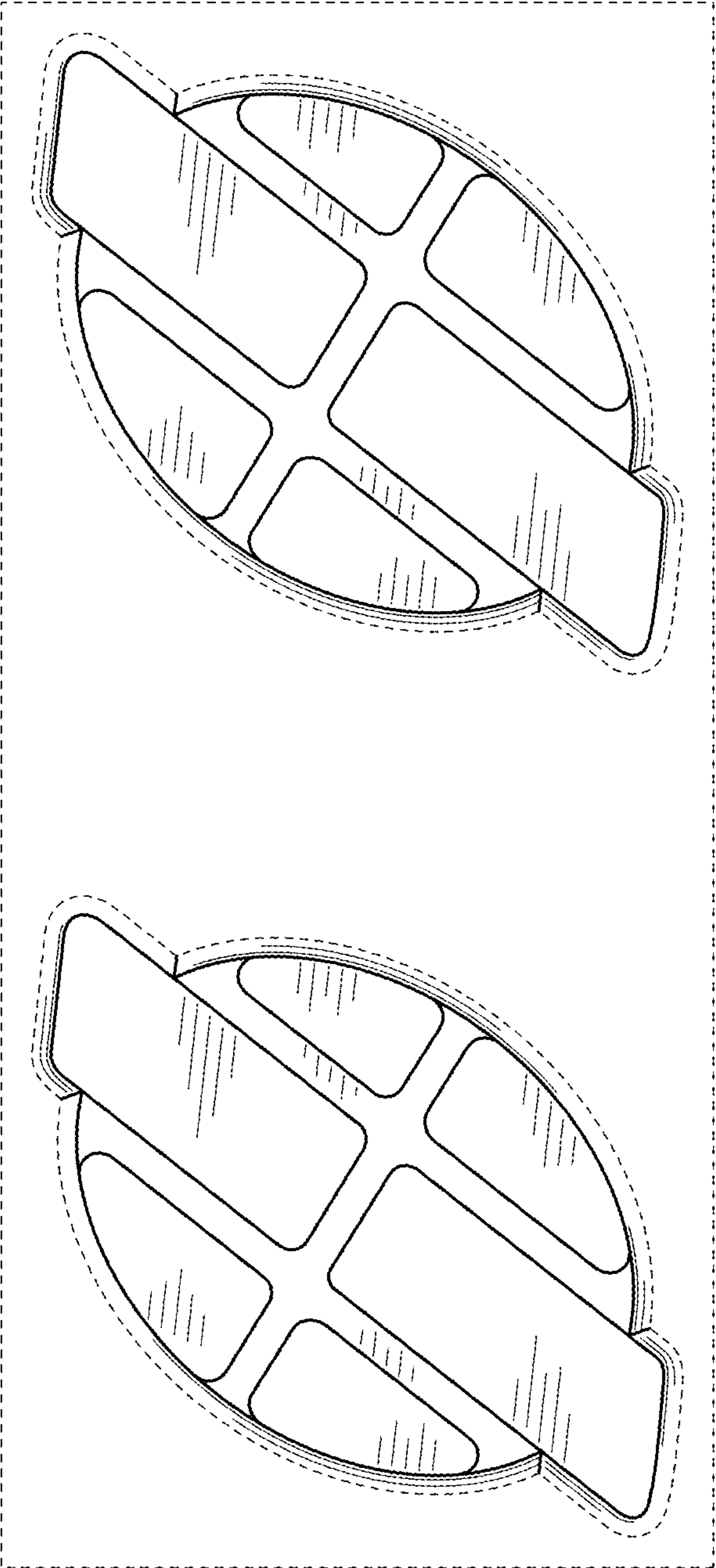


FIG. 8



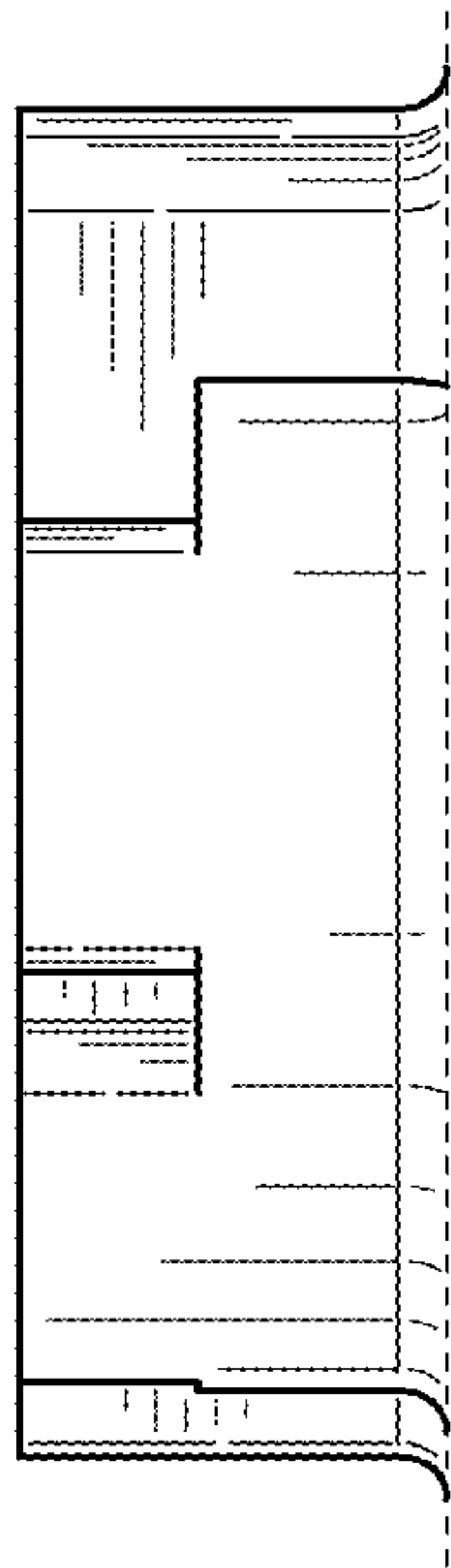


FIG. 9

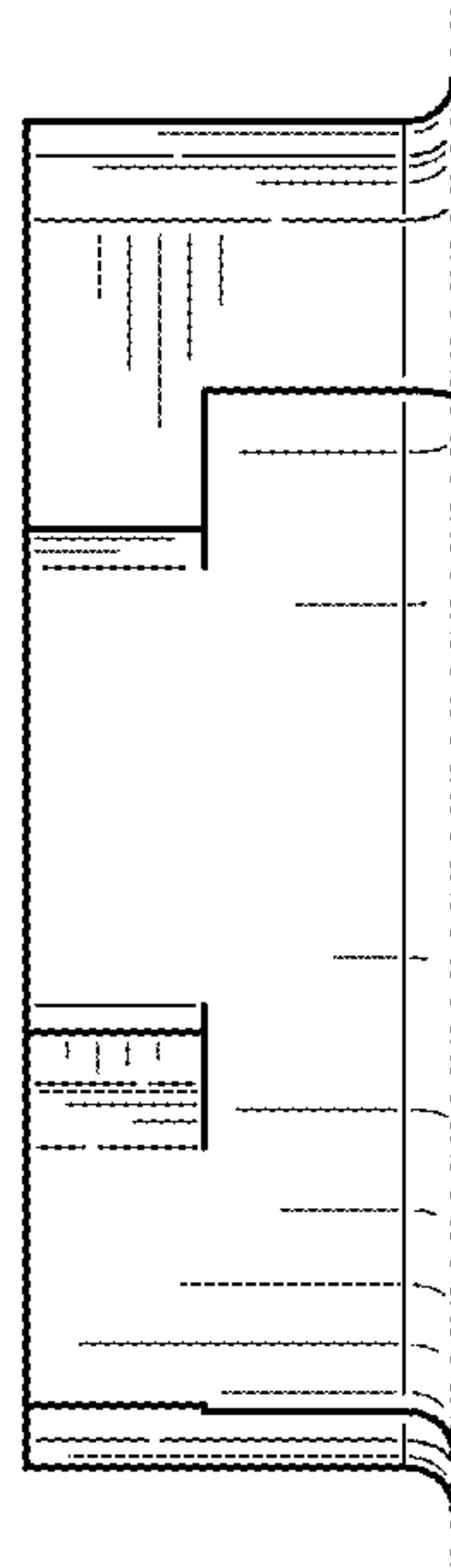


FIG. 10

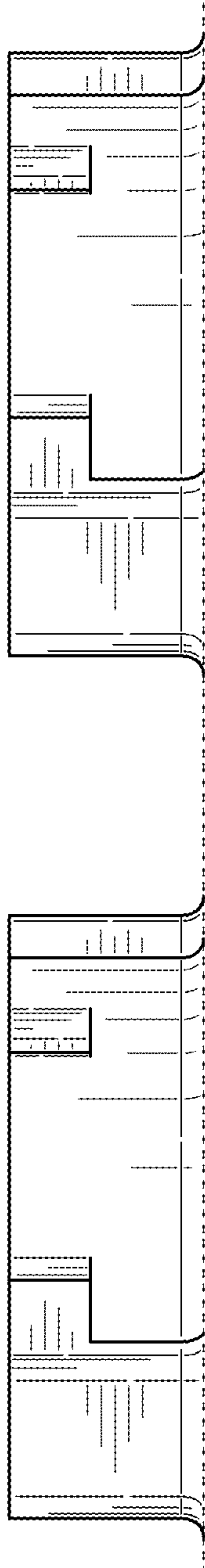


FIG. 11



FIG. 12

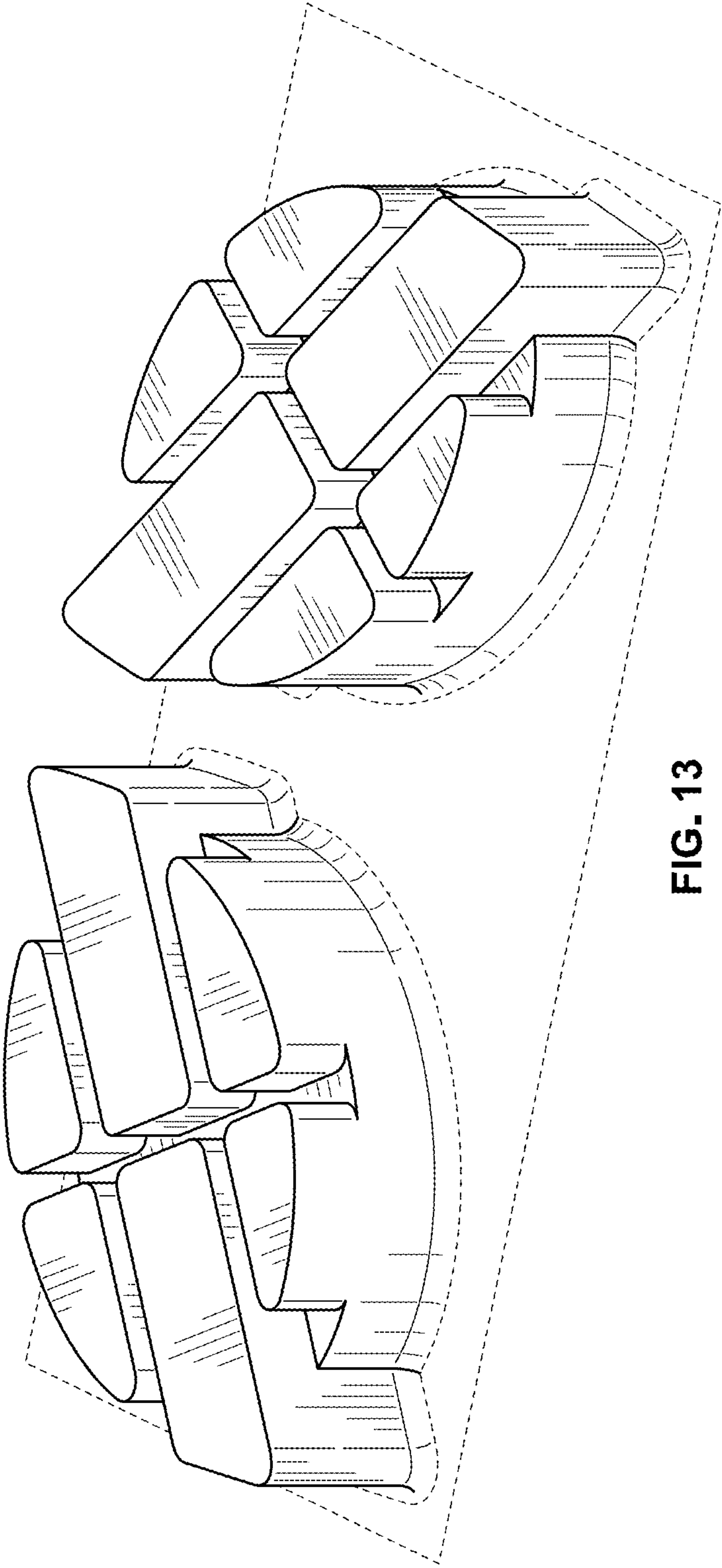


FIG. 13



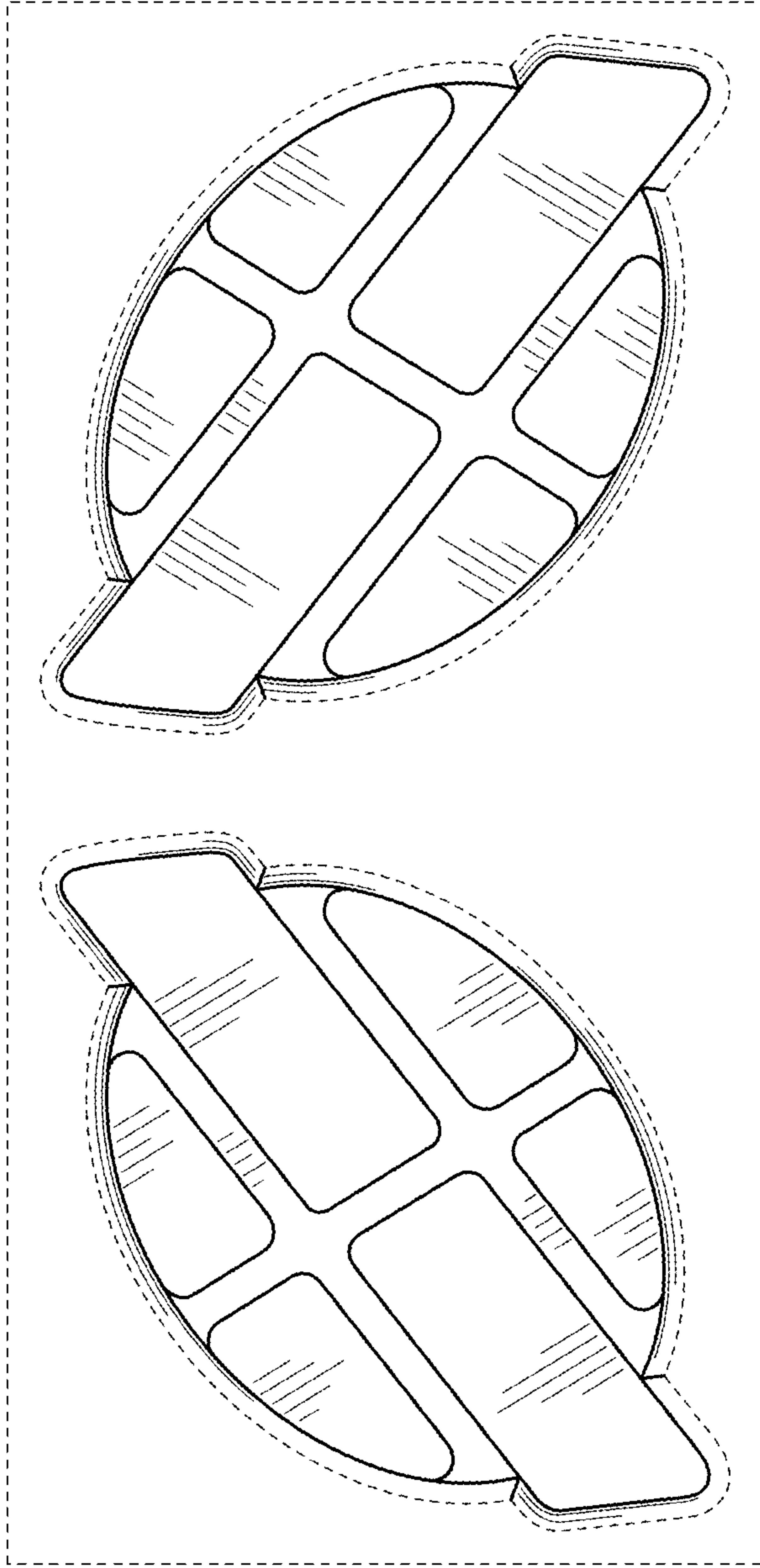


FIG. 14

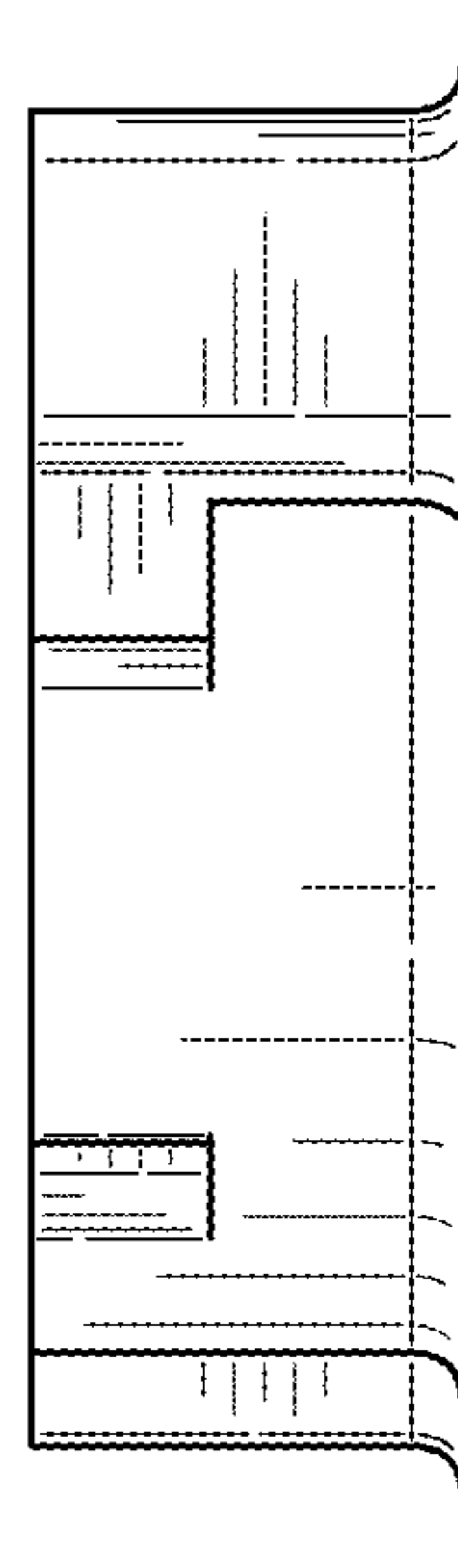


FIG. 16

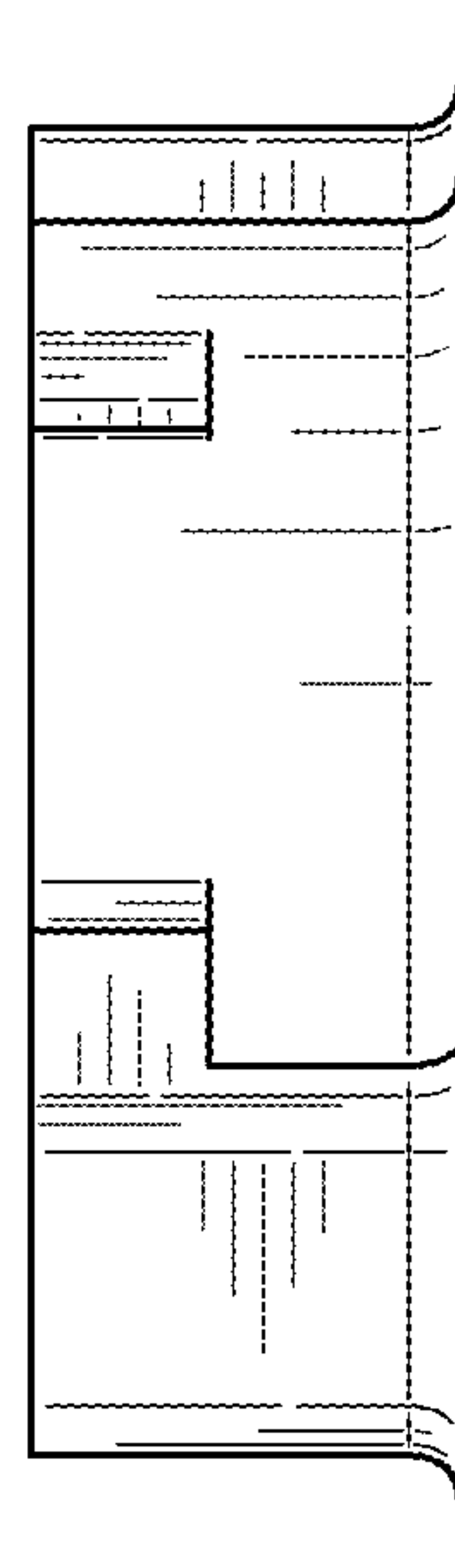


FIG. 15

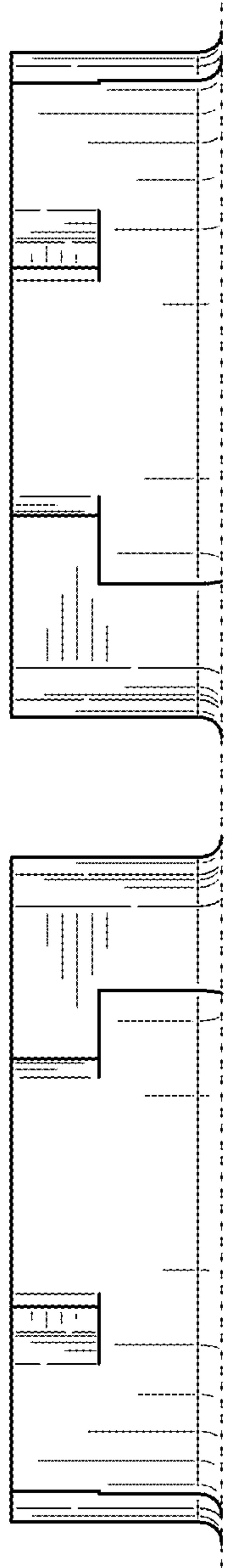


FIG. 17

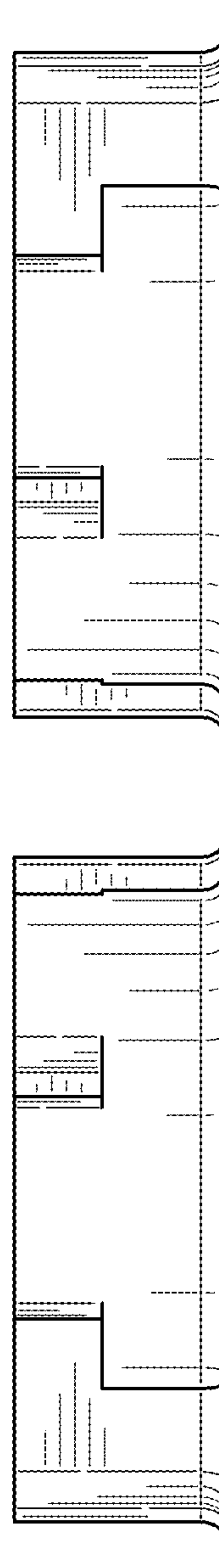


FIG. 18

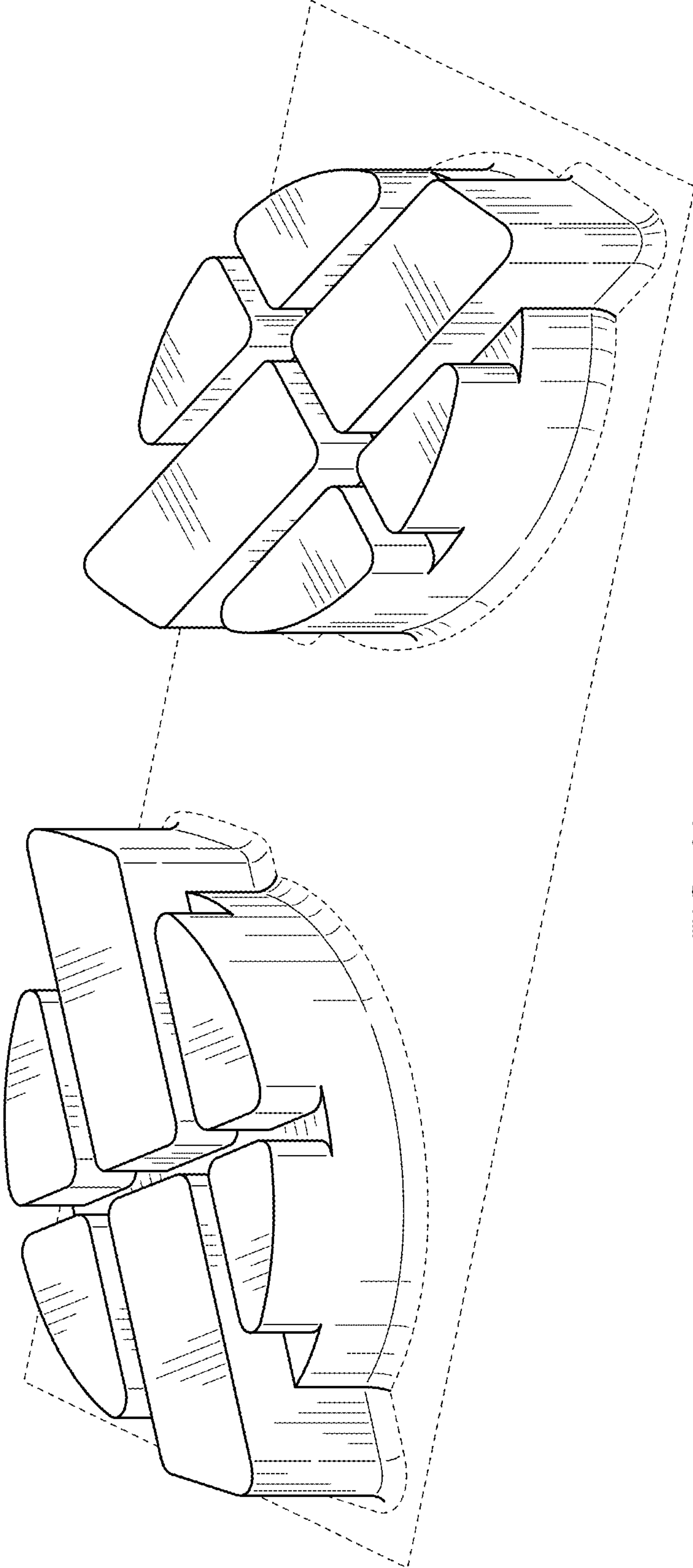


FIG. 19



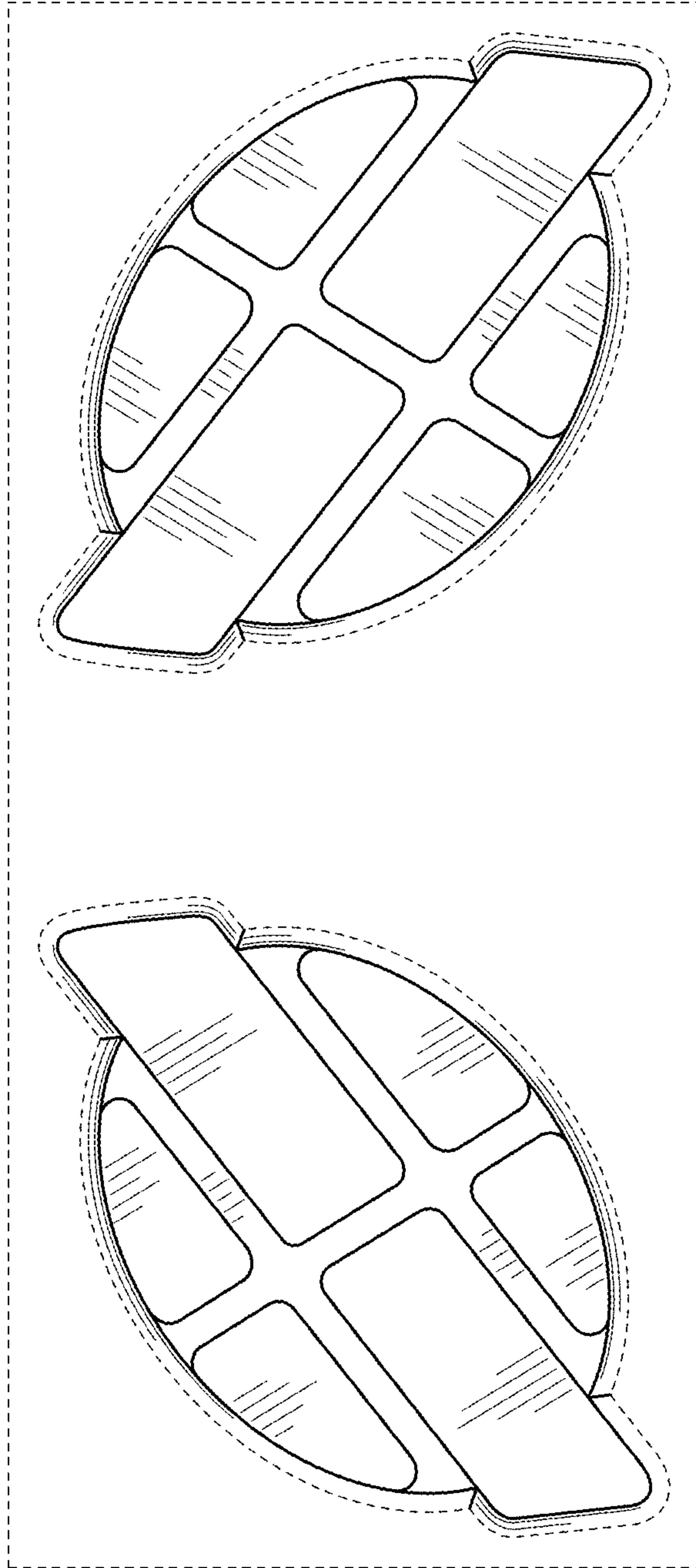


FIG. 20

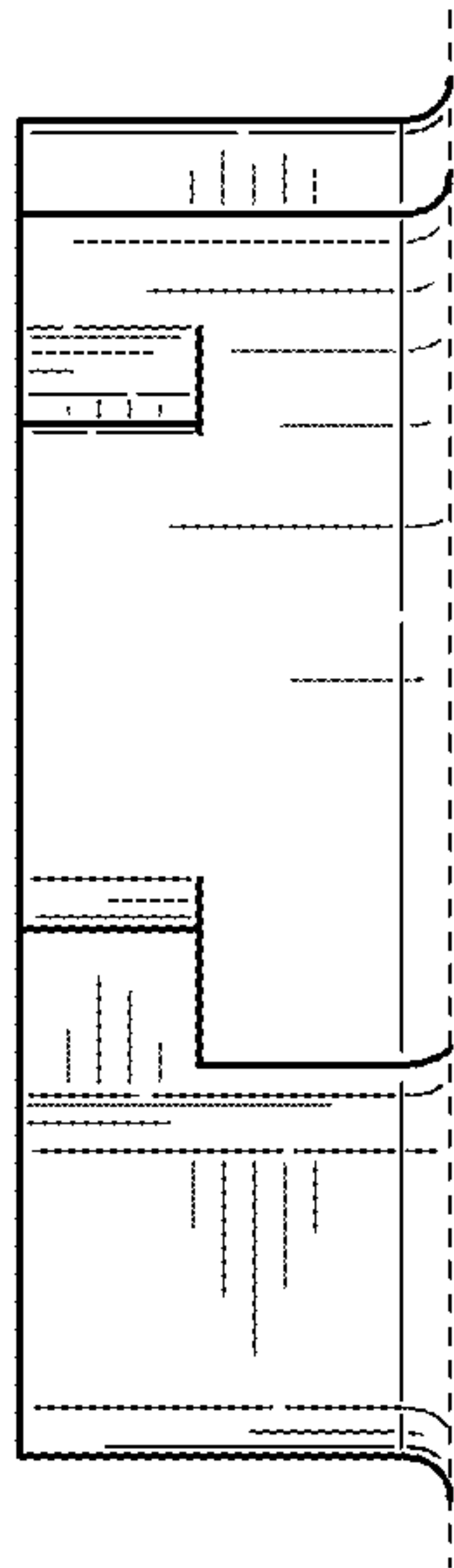


FIG. 21

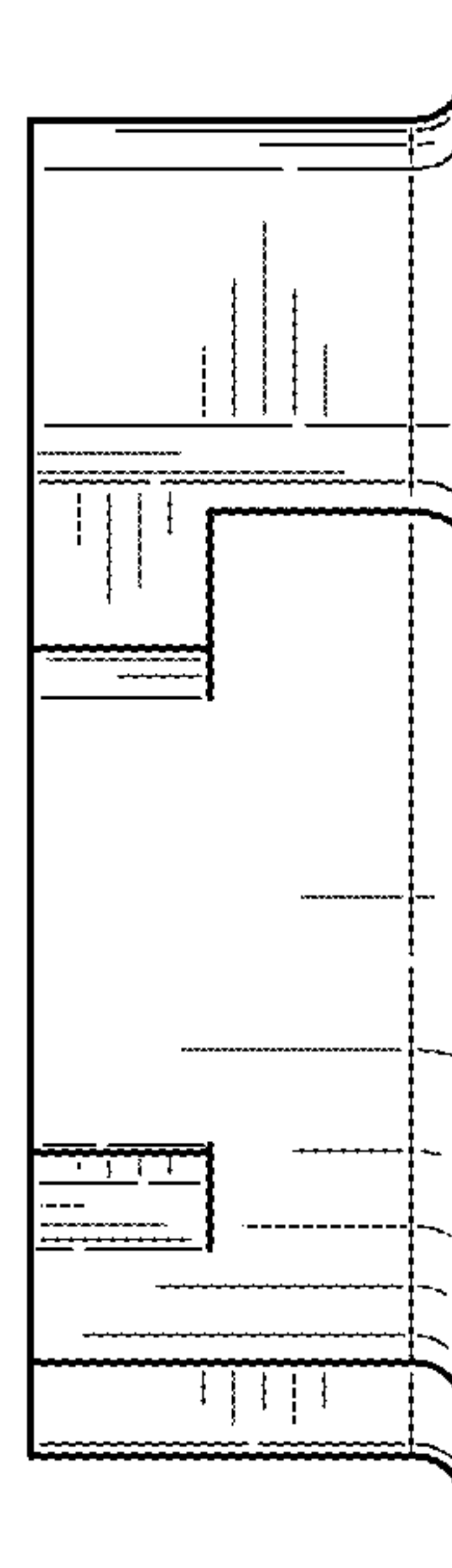


FIG. 22

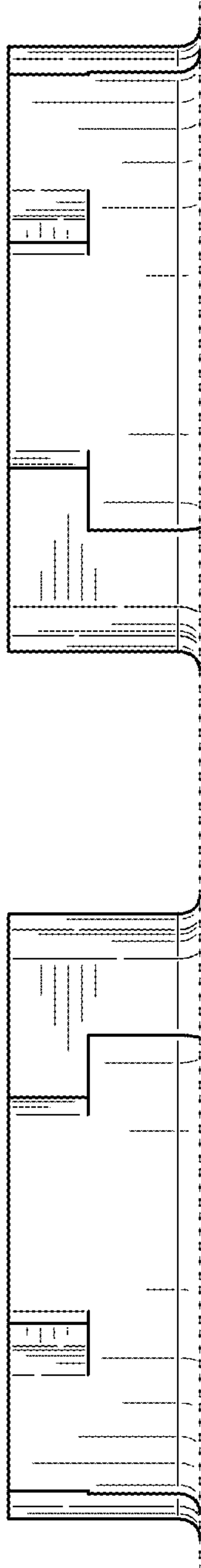


FIG. 23

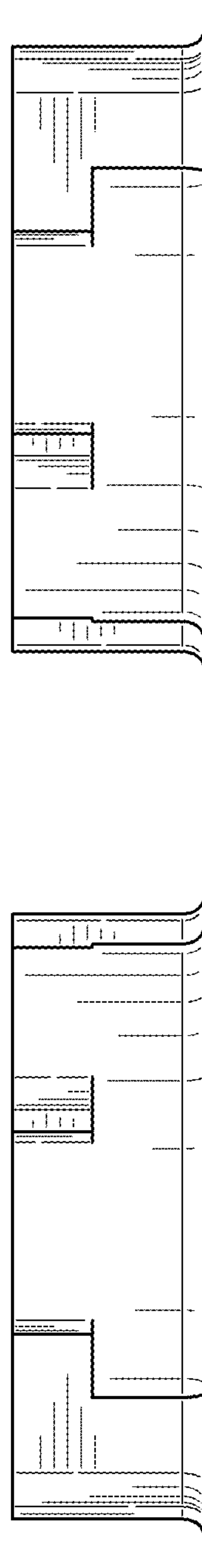


FIG. 24



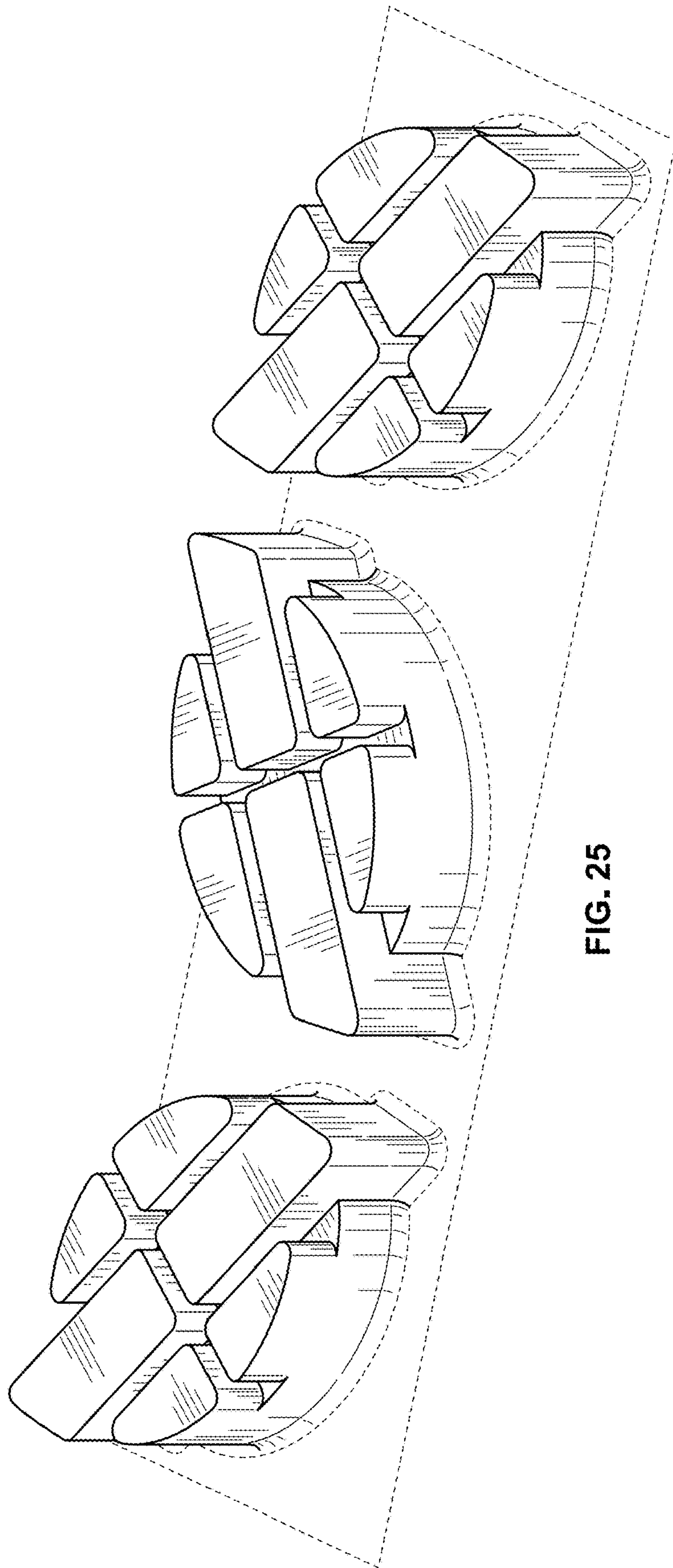


FIG. 25

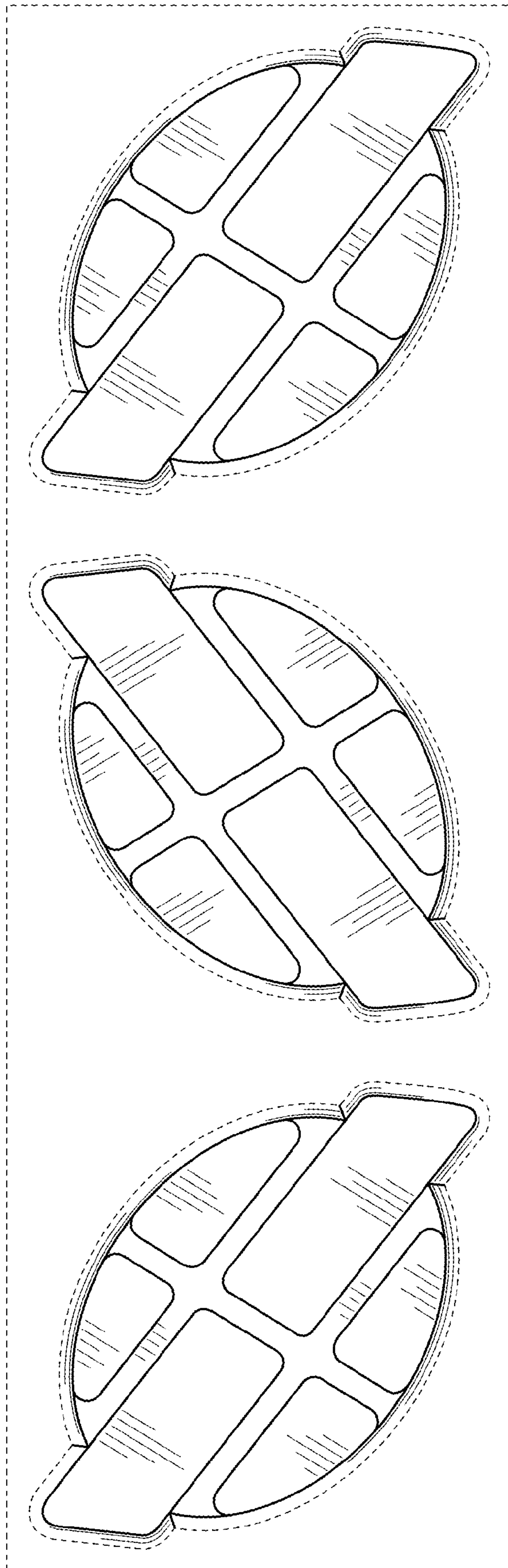


FIG. 26

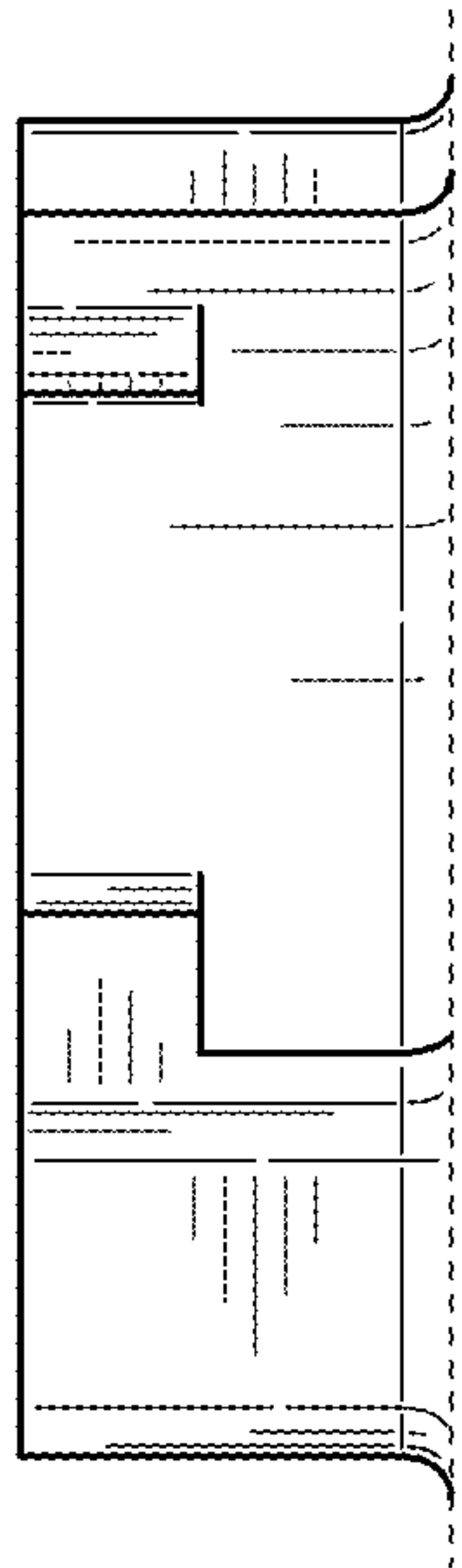


FIG. 27

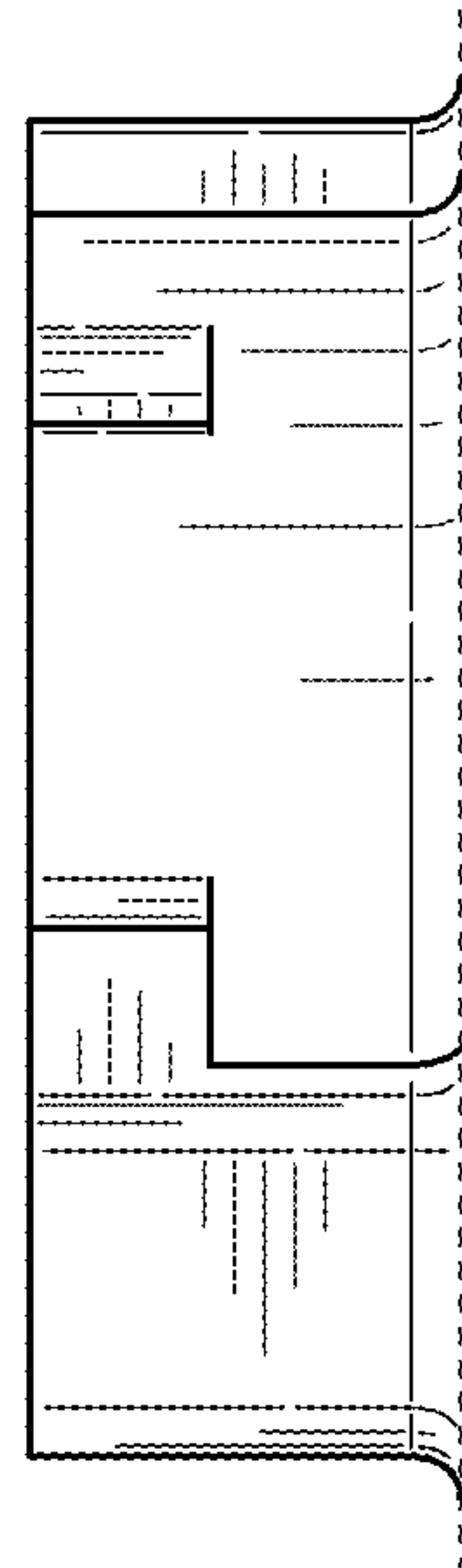


FIG. 28



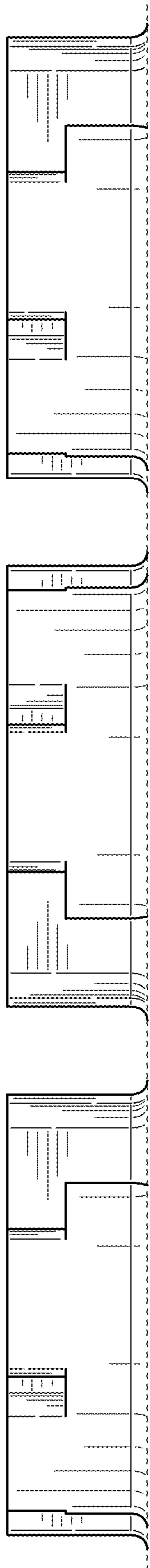


FIG. 29

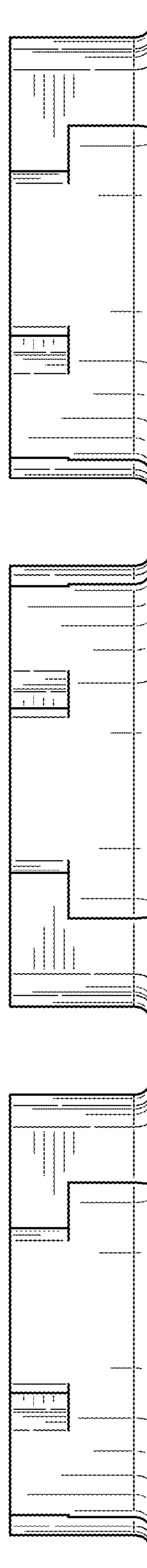


FIG. 30

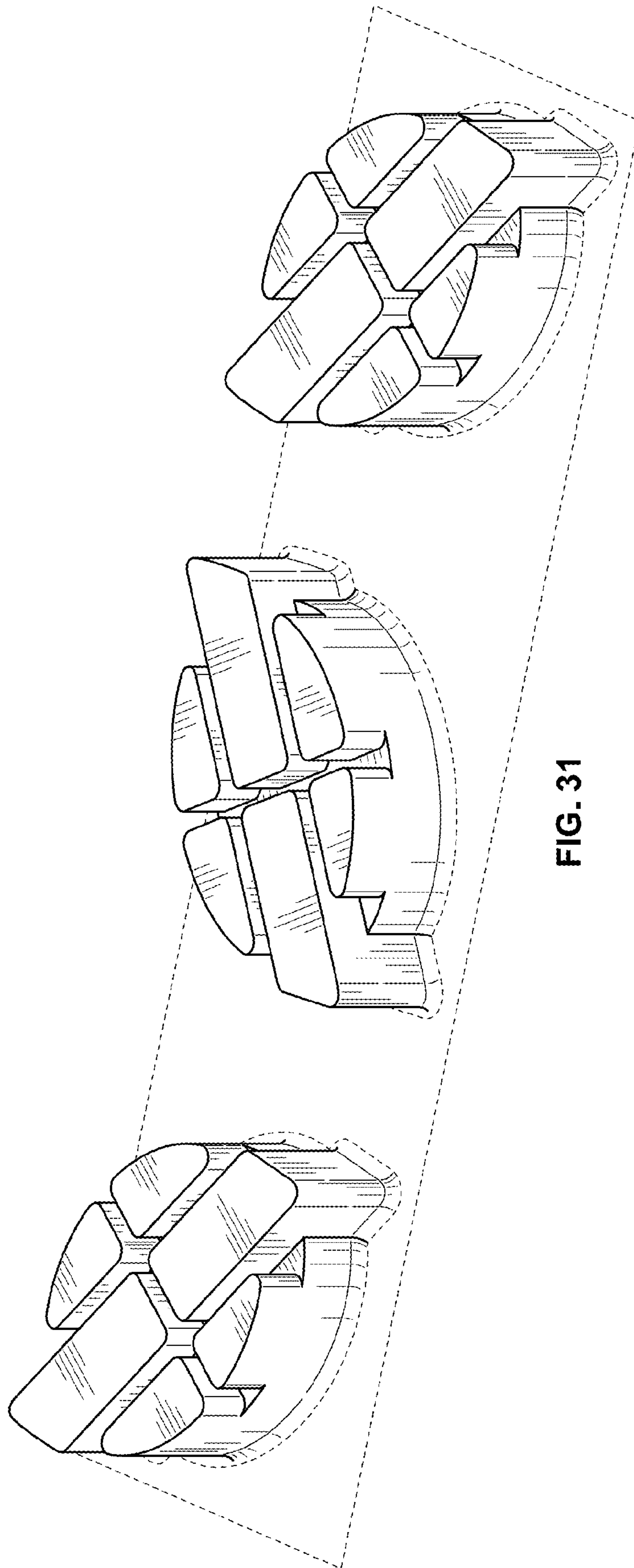


FIG. 31

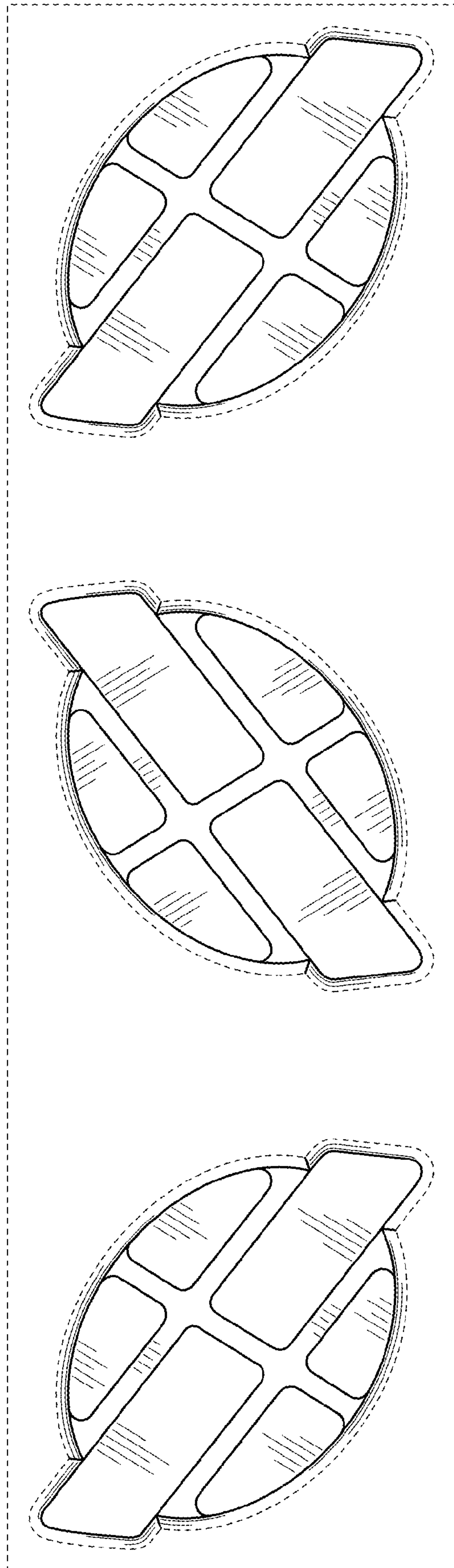


FIG. 32

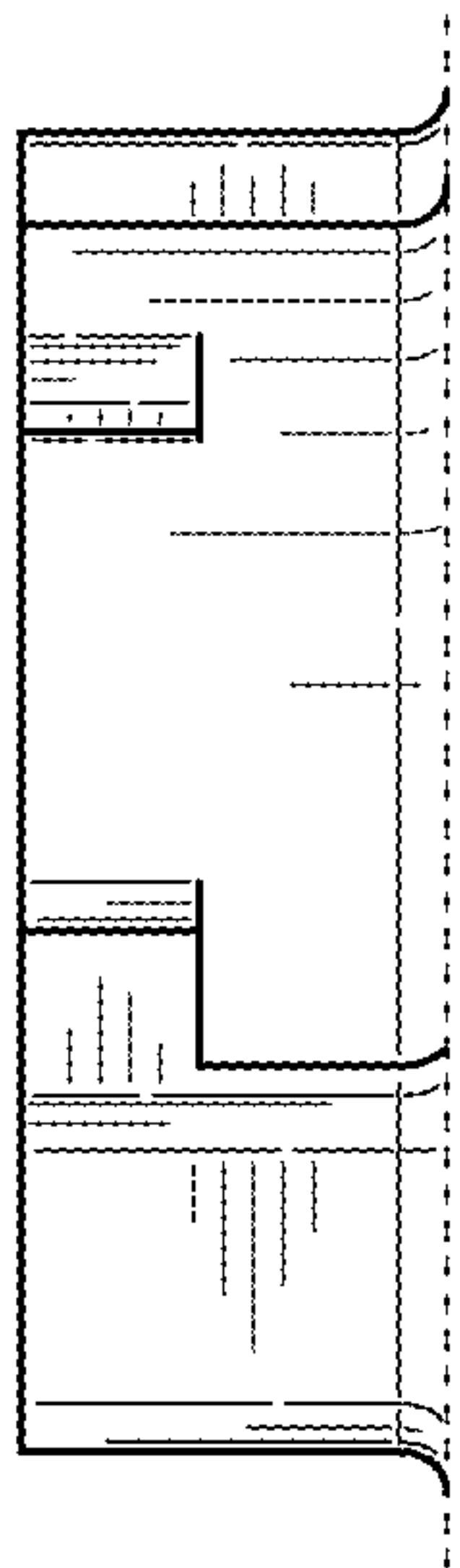


FIG. 33

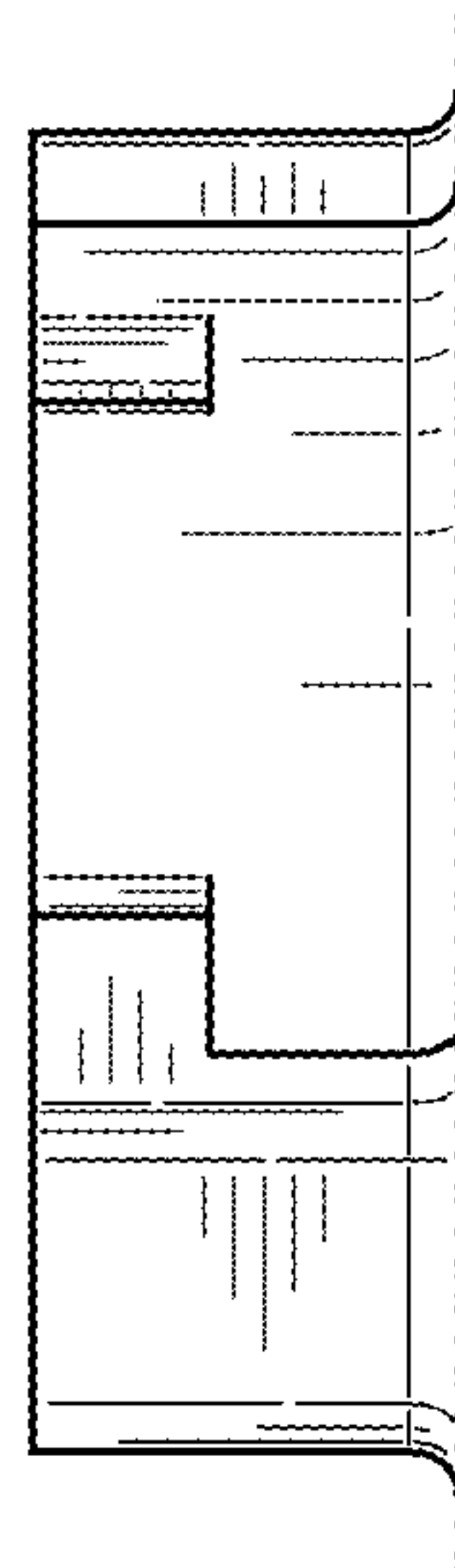


FIG. 34

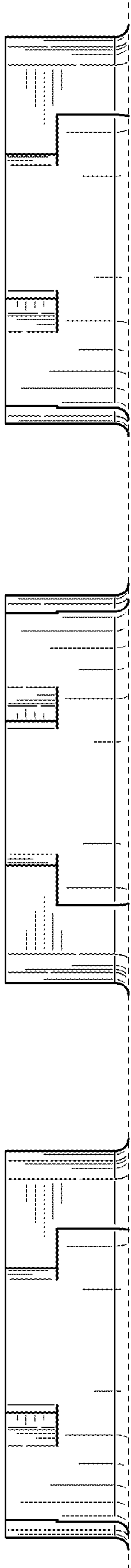


FIG. 35

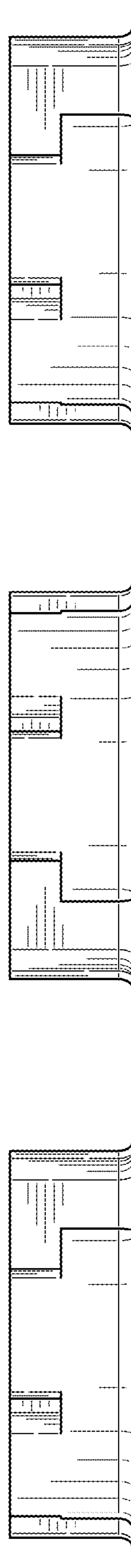


FIG. 36



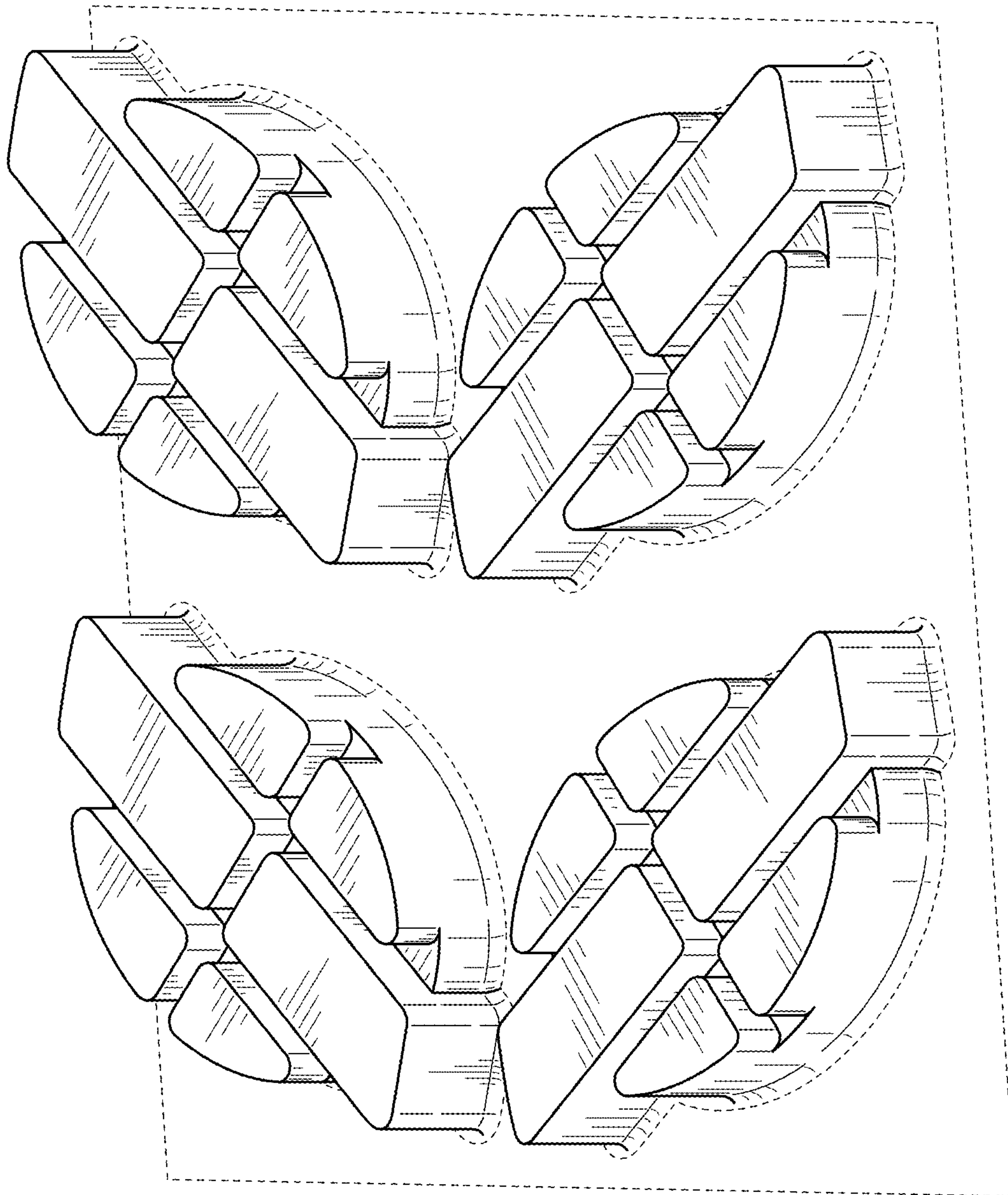
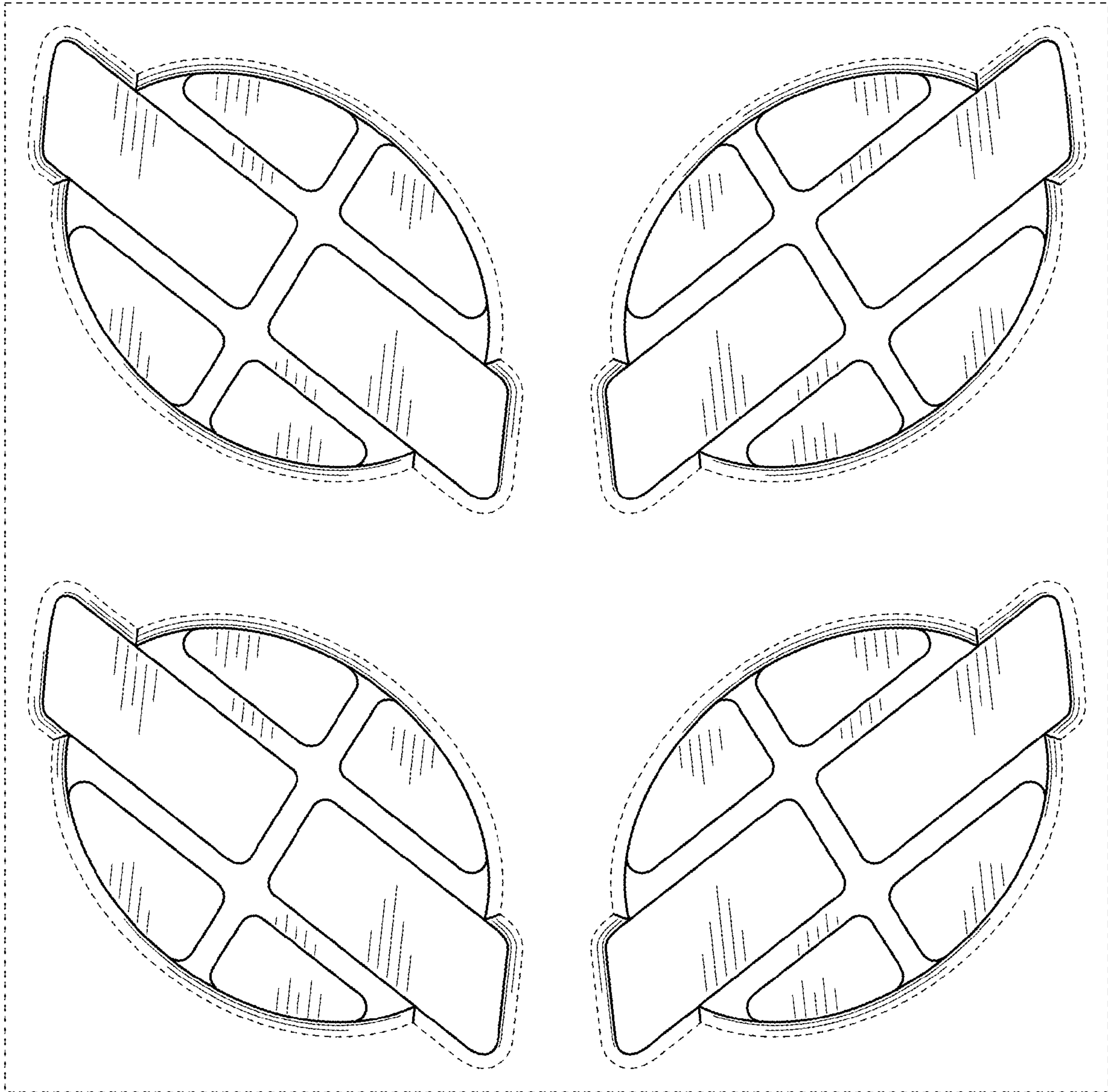


FIG. 37

FIG. 38



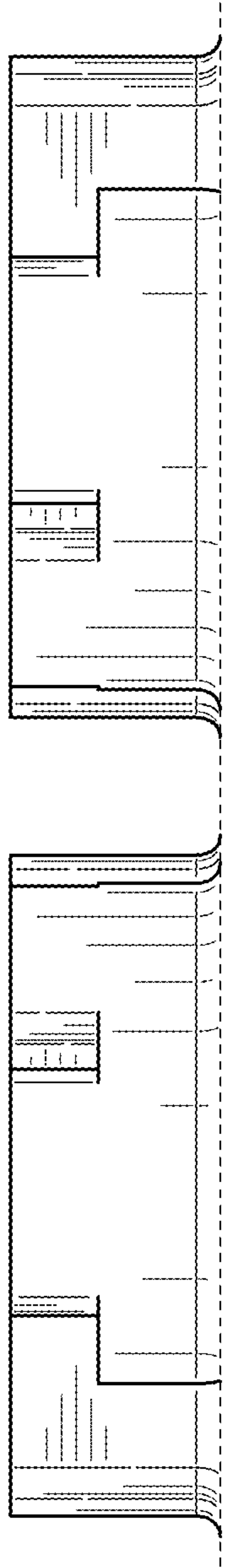


FIG. 39

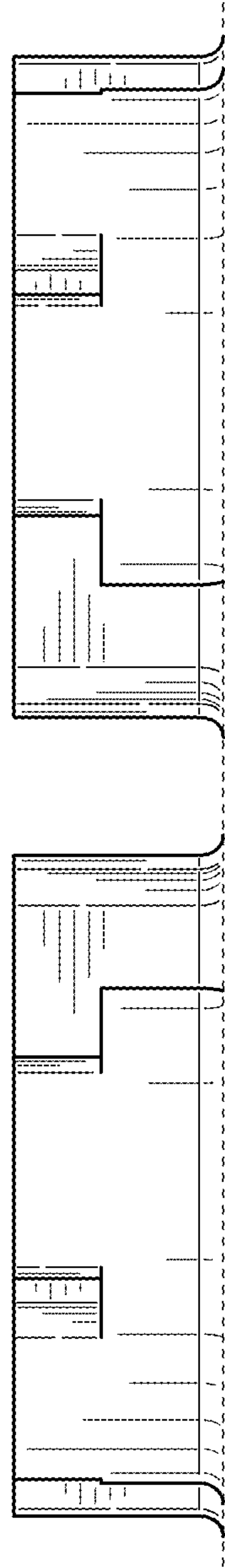


FIG. 40

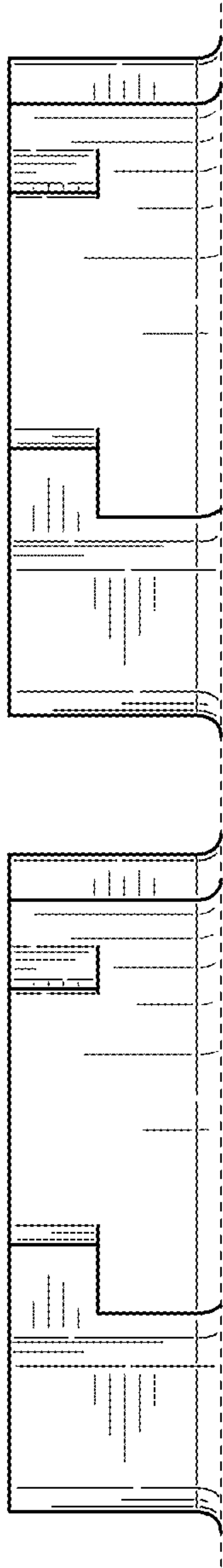


FIG. 41

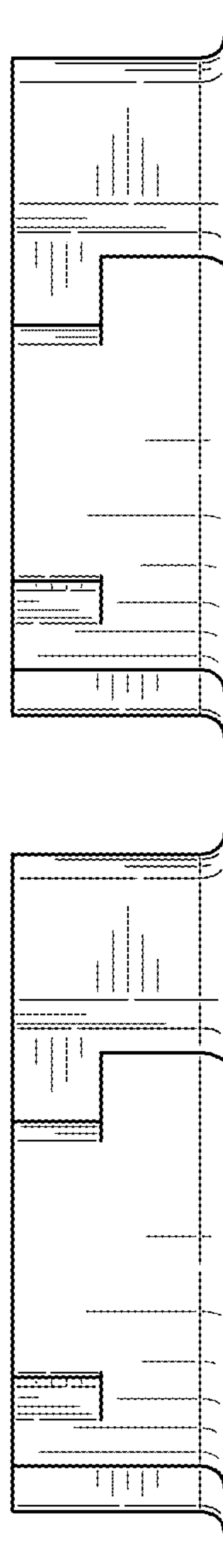


FIG. 42

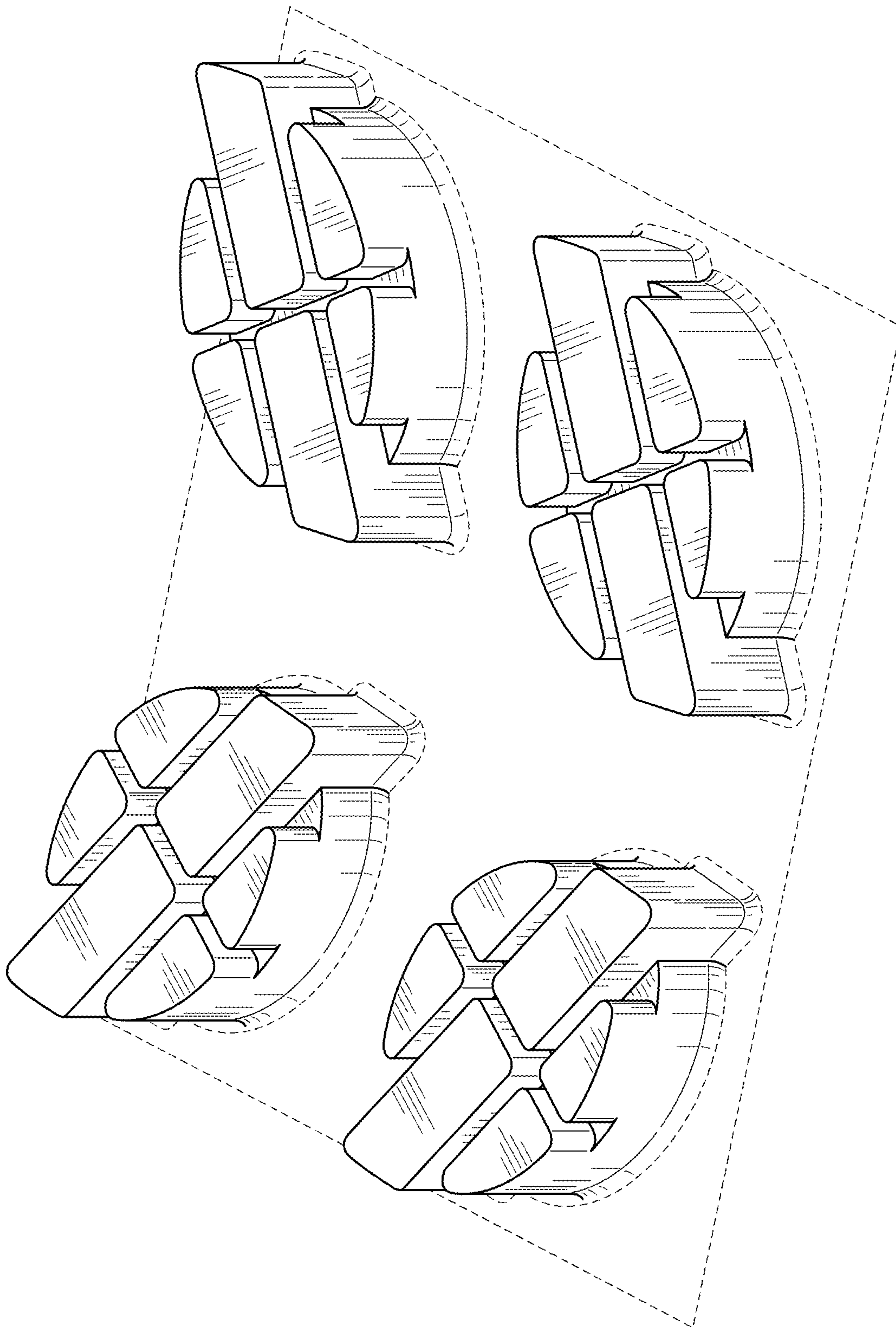
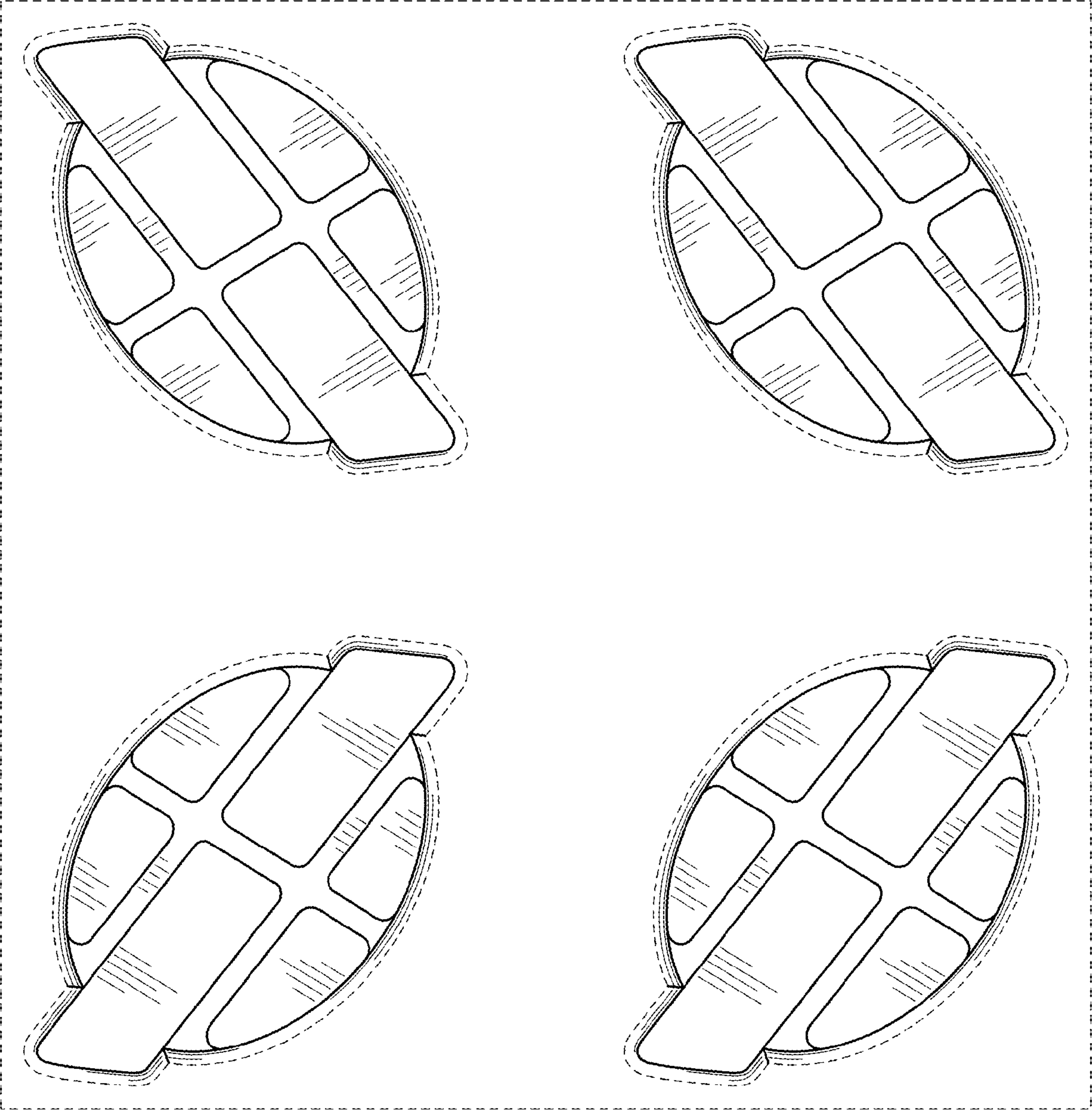


FIG. 43



FIG. 44



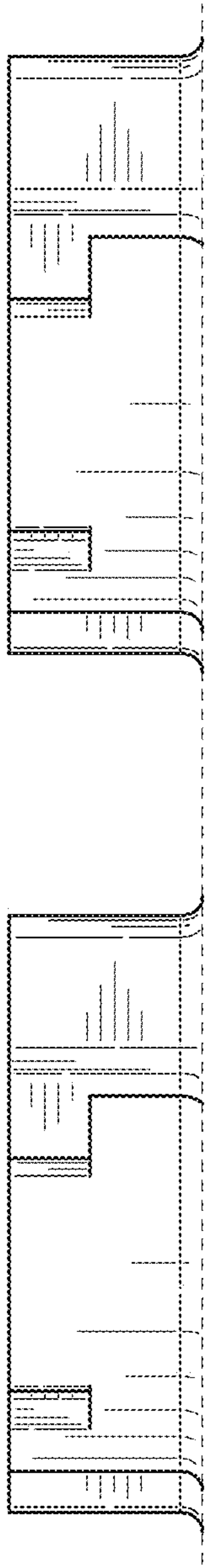


FIG. 45

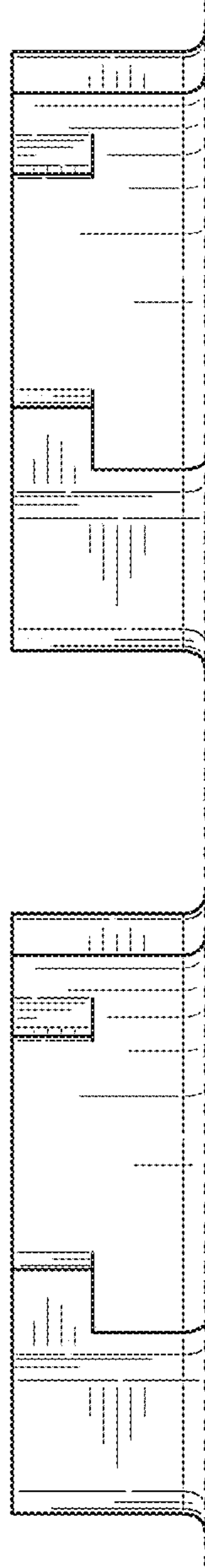


FIG. 46

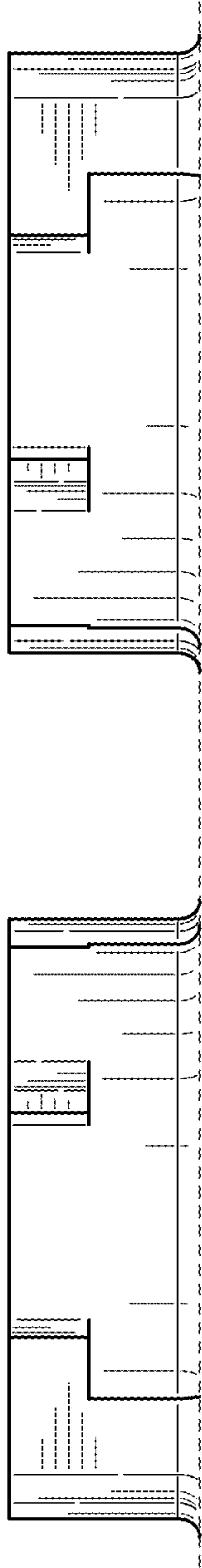


FIG. 47



FIG. 48

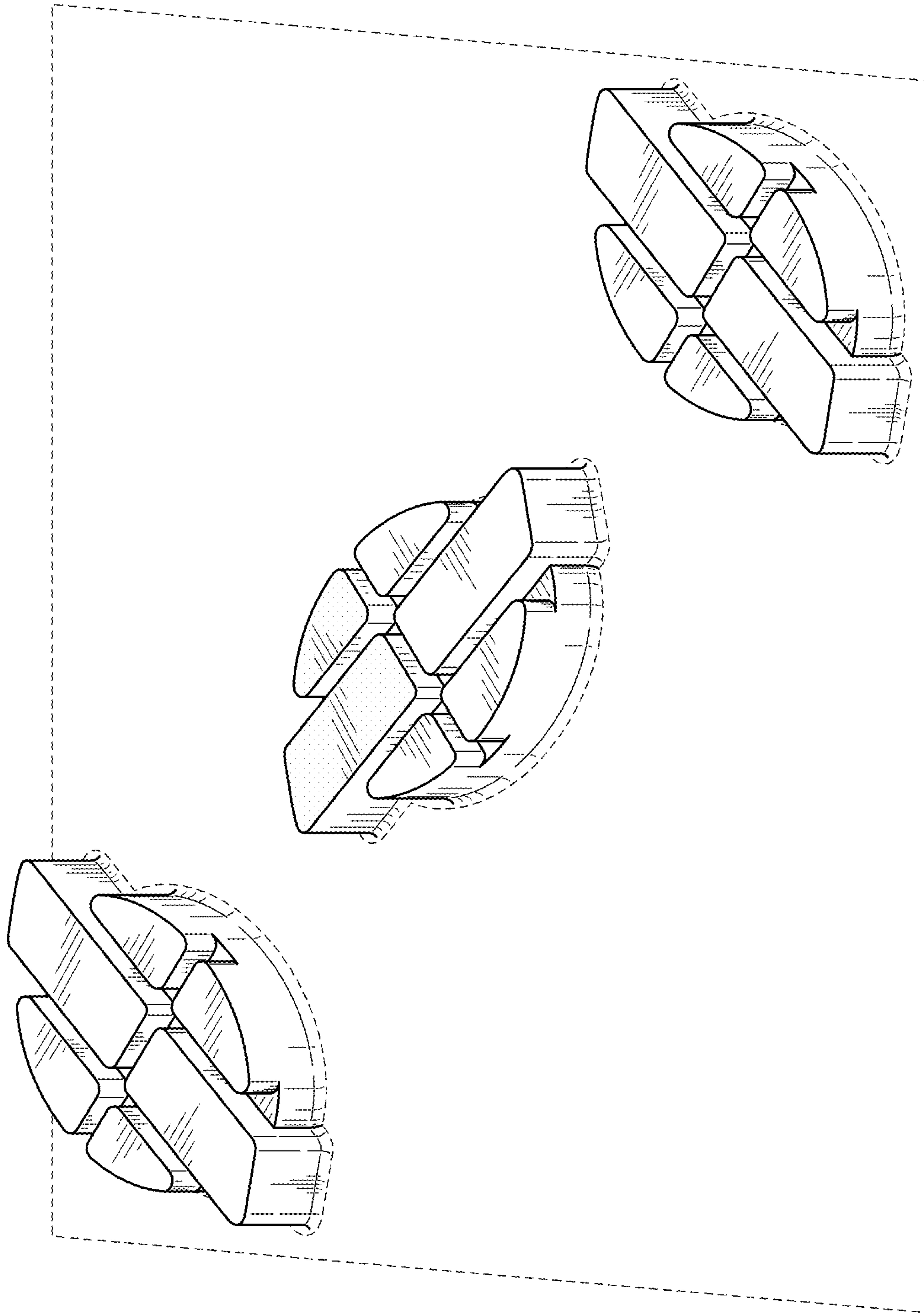
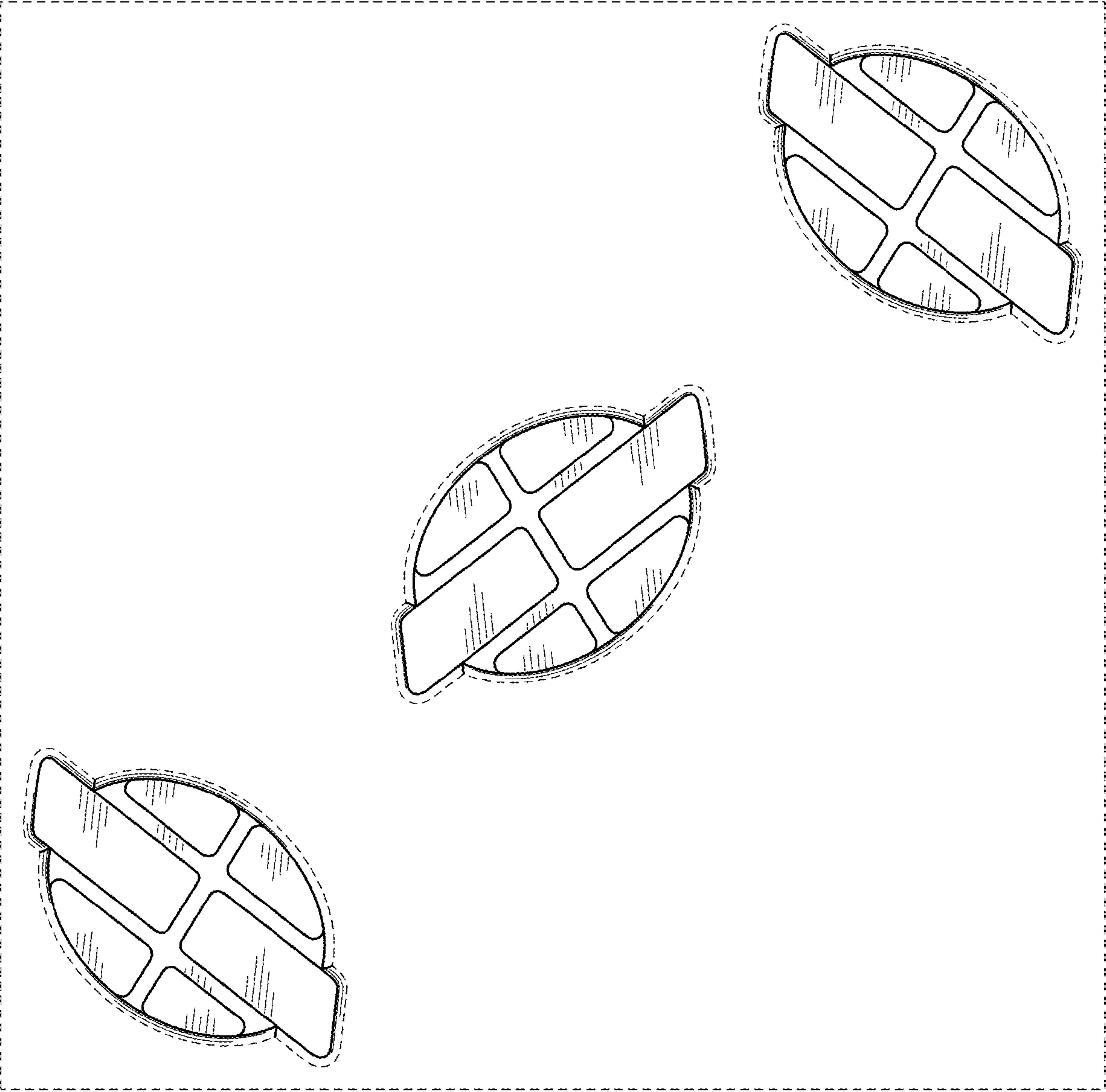


FIG. 49

FIG. 50





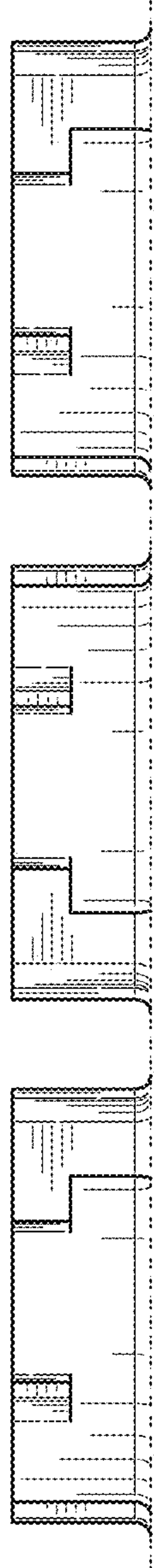


FIG. 51

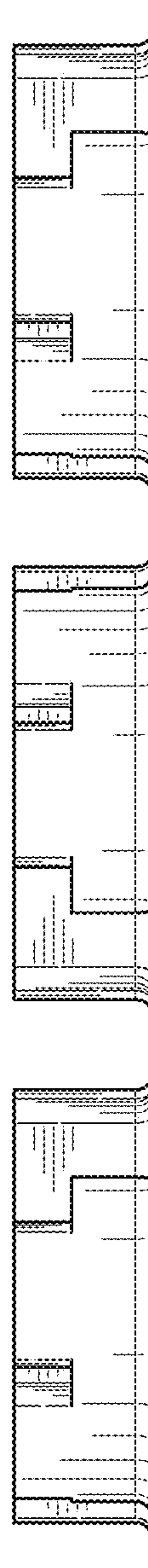


FIG. 52

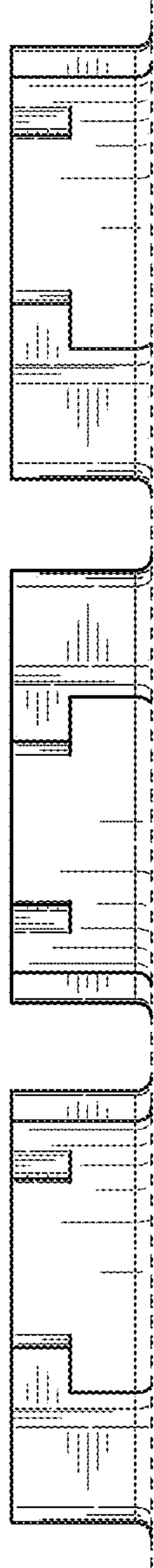


FIG. 53

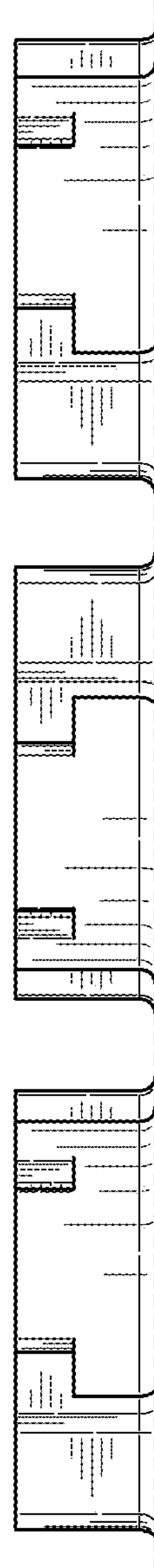


FIG. 54

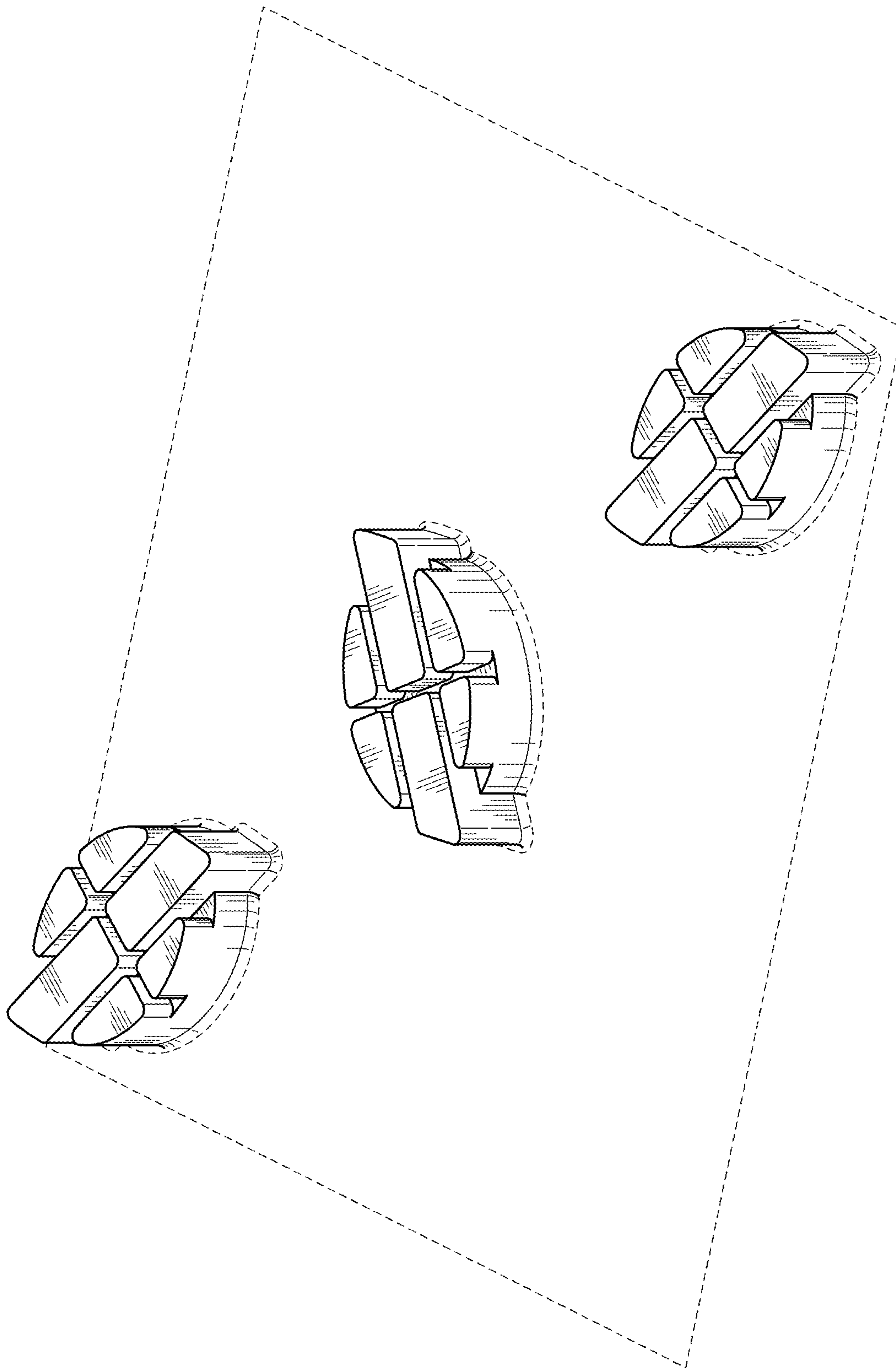
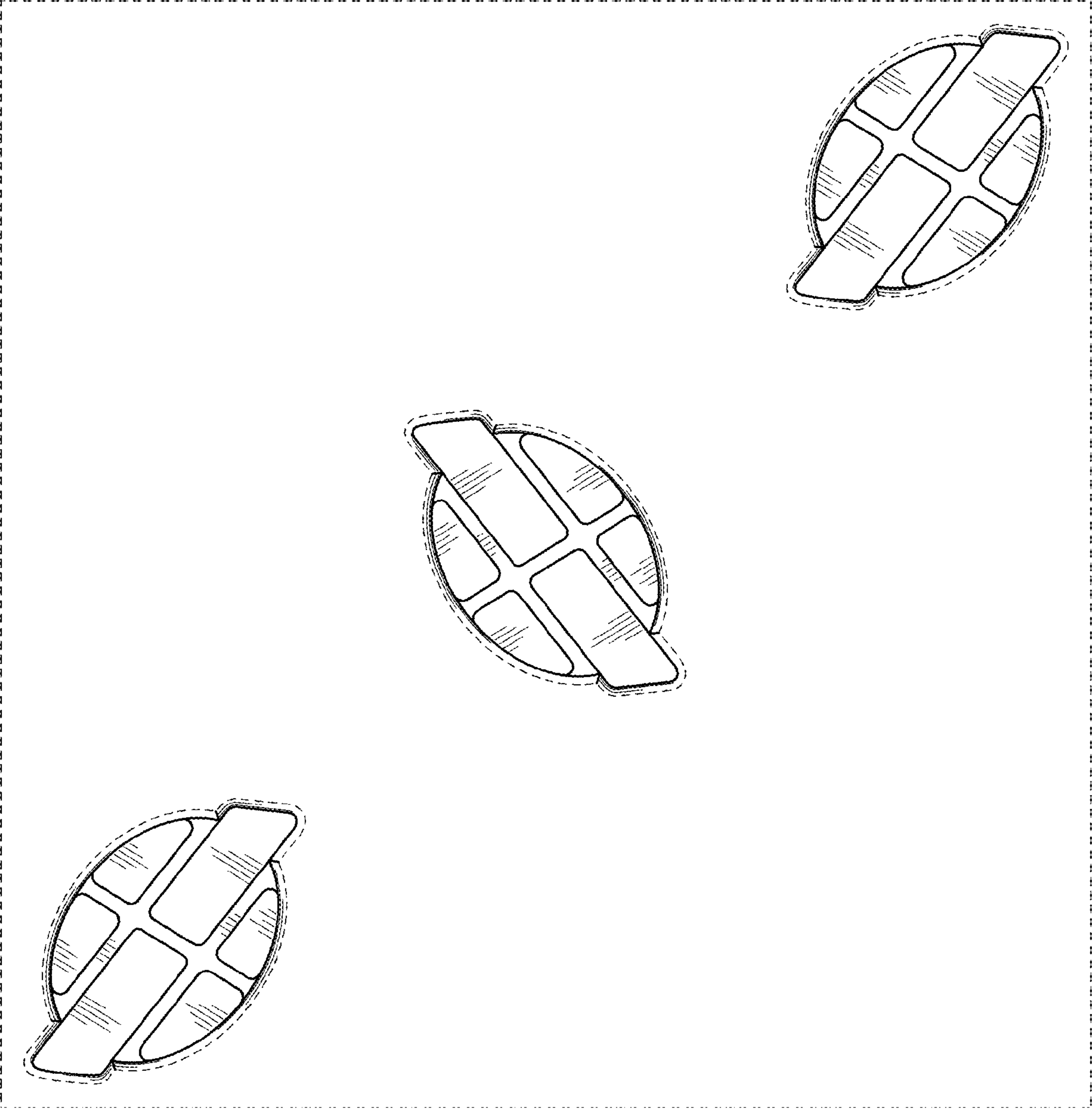


FIG. 55

FIG. 56



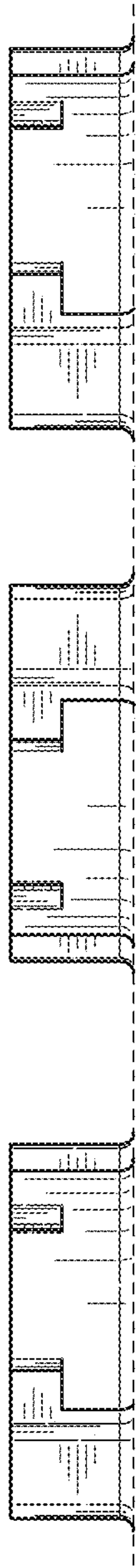


FIG. 57

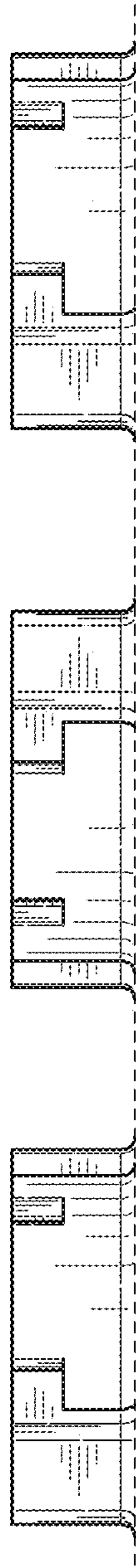


FIG. 58



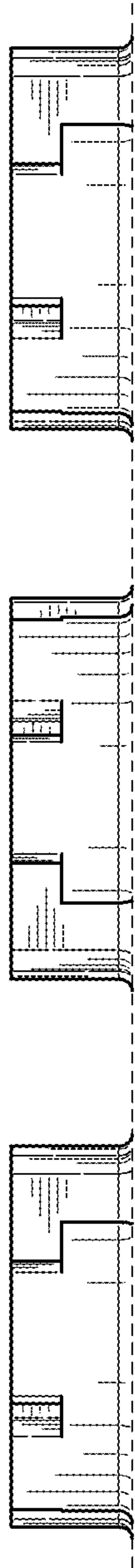


FIG. 59

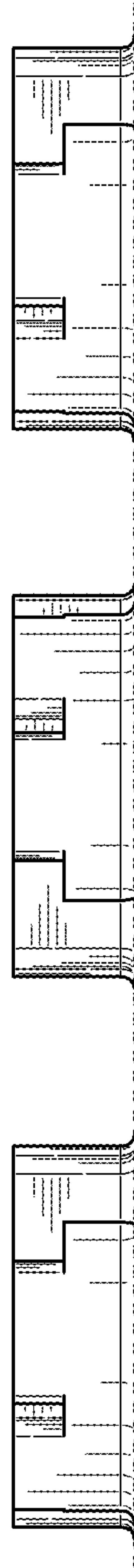


FIG. 60

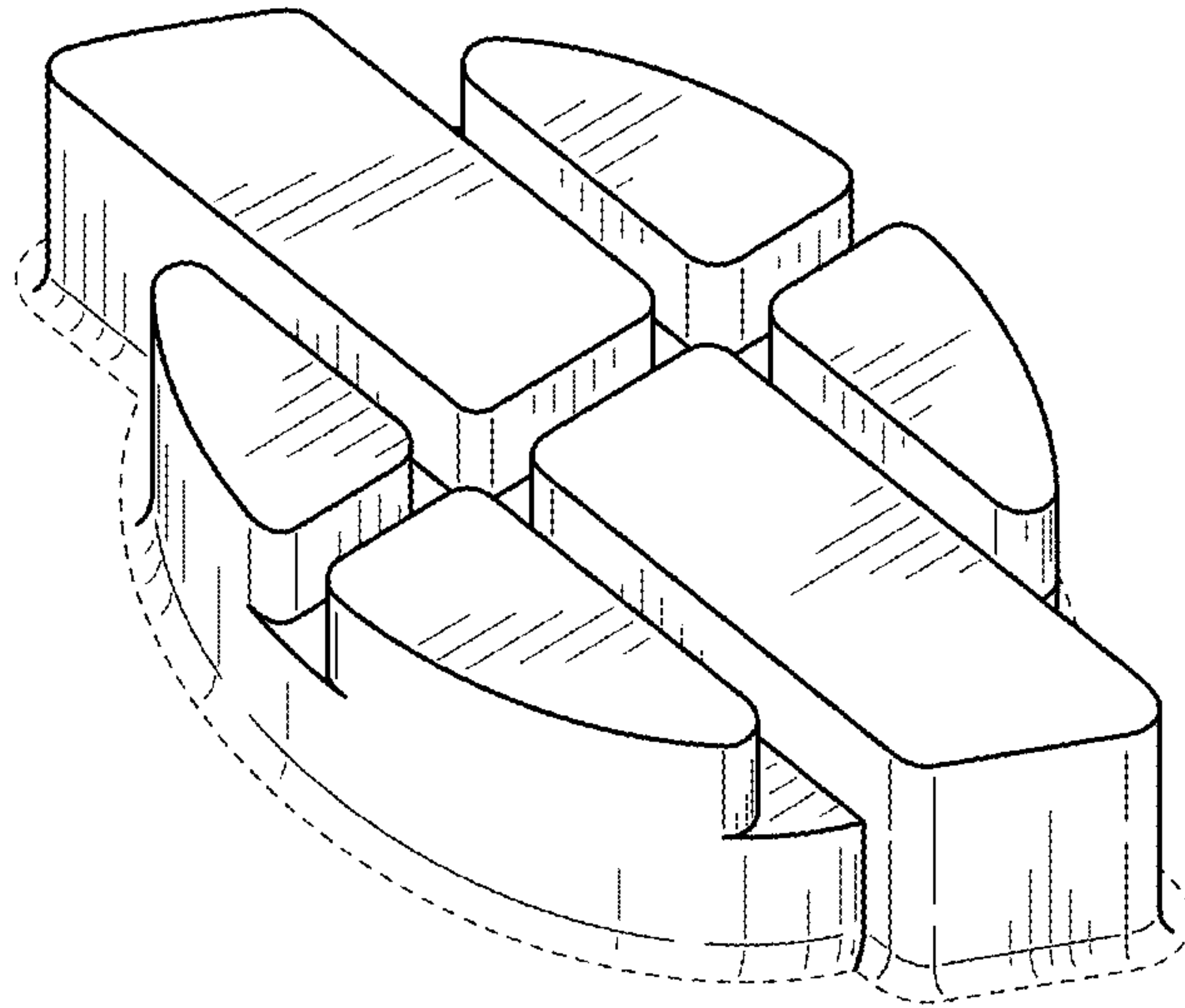


FIG. 61

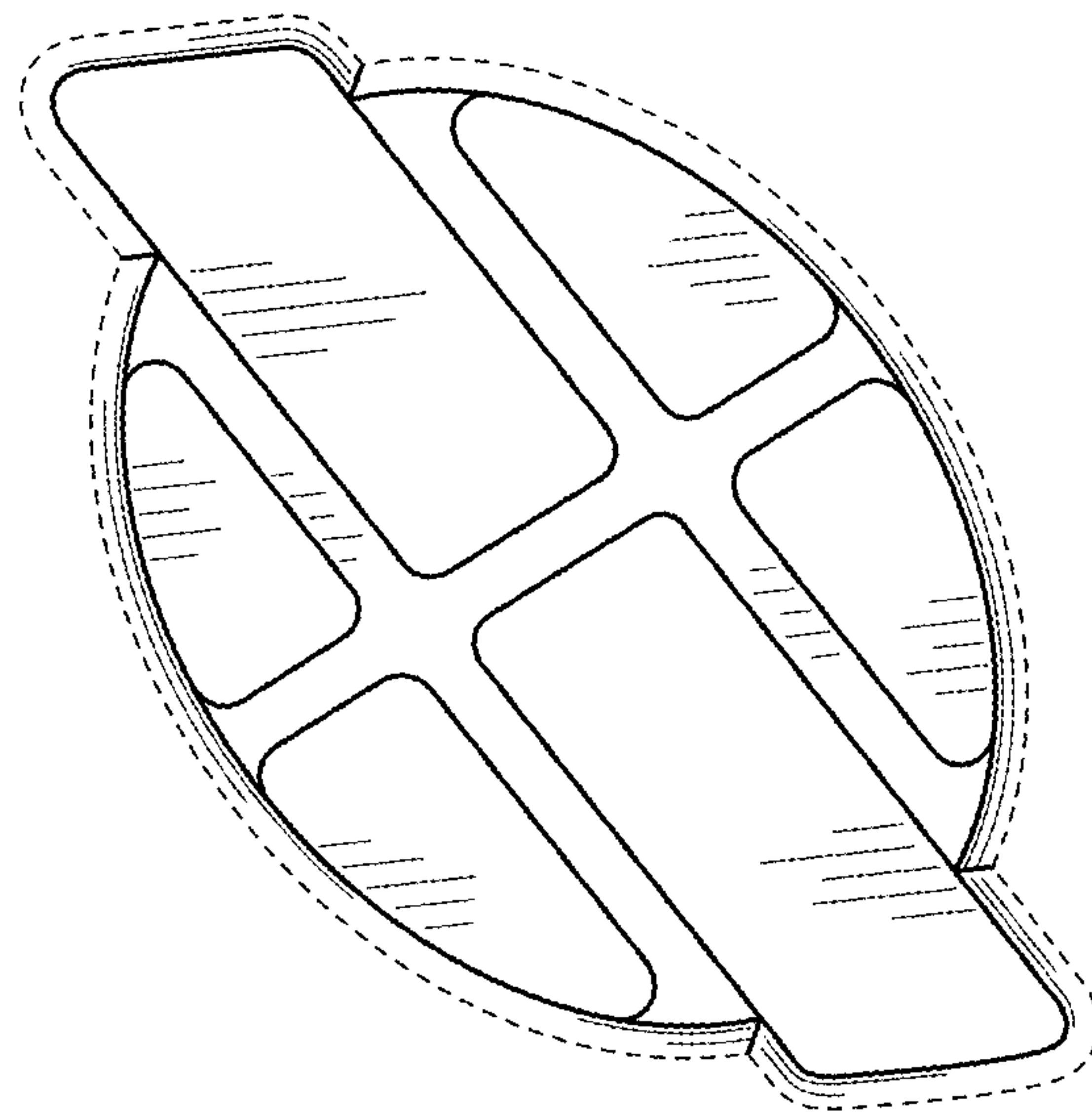


FIG. 62

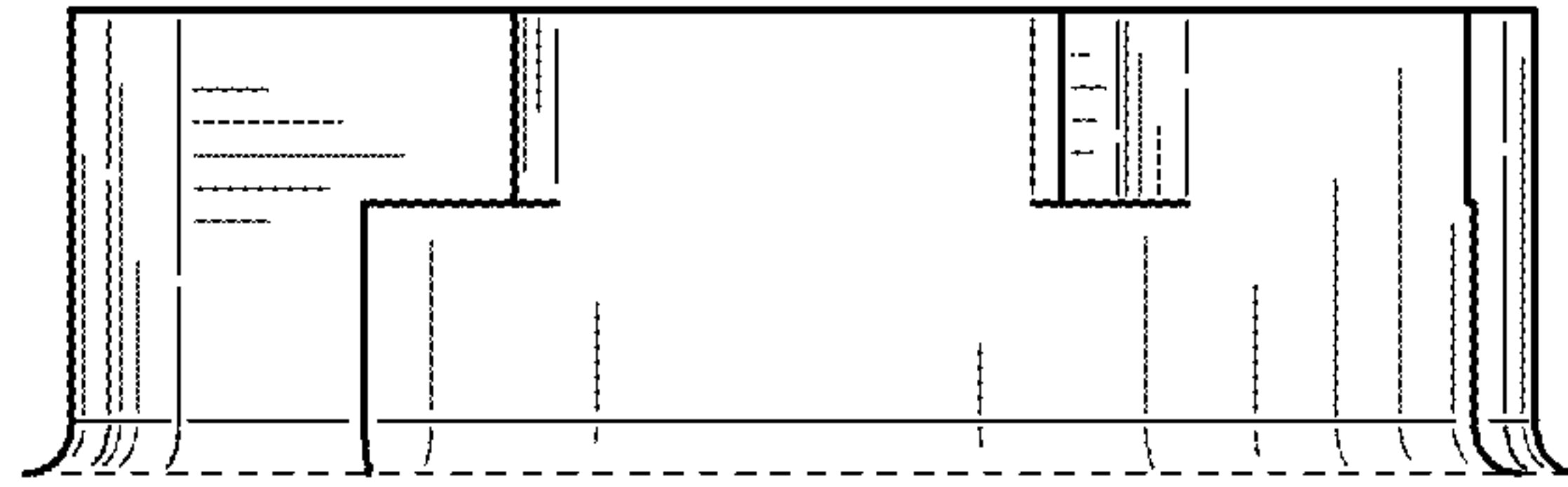


FIG. 63

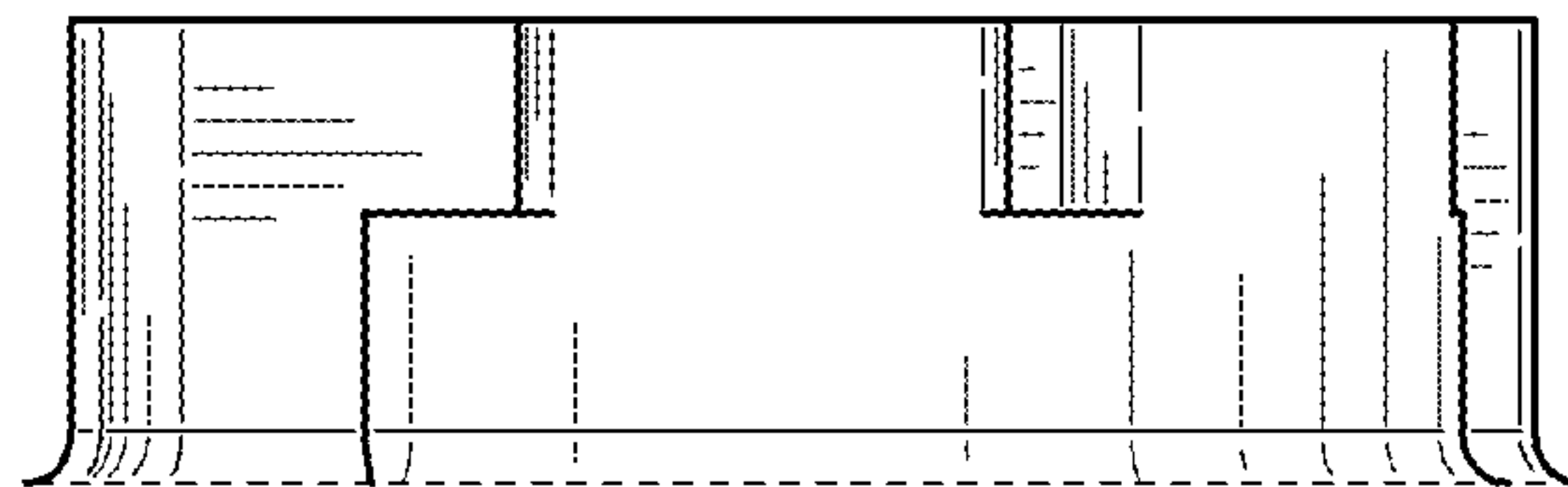


FIG. 64

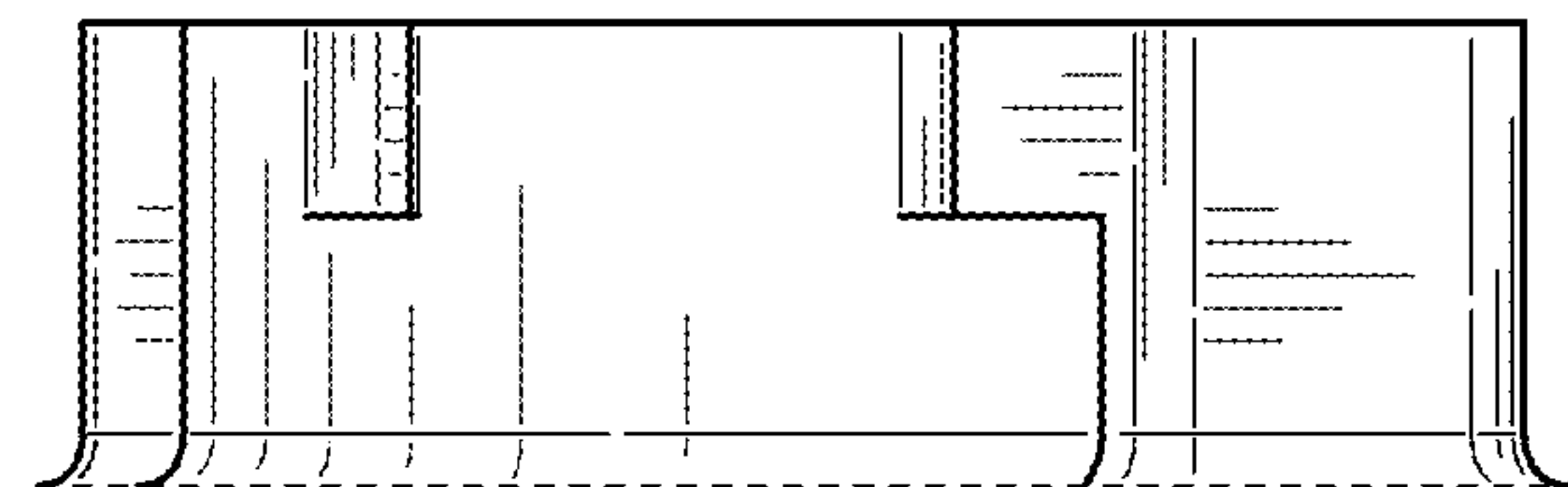


FIG. 65

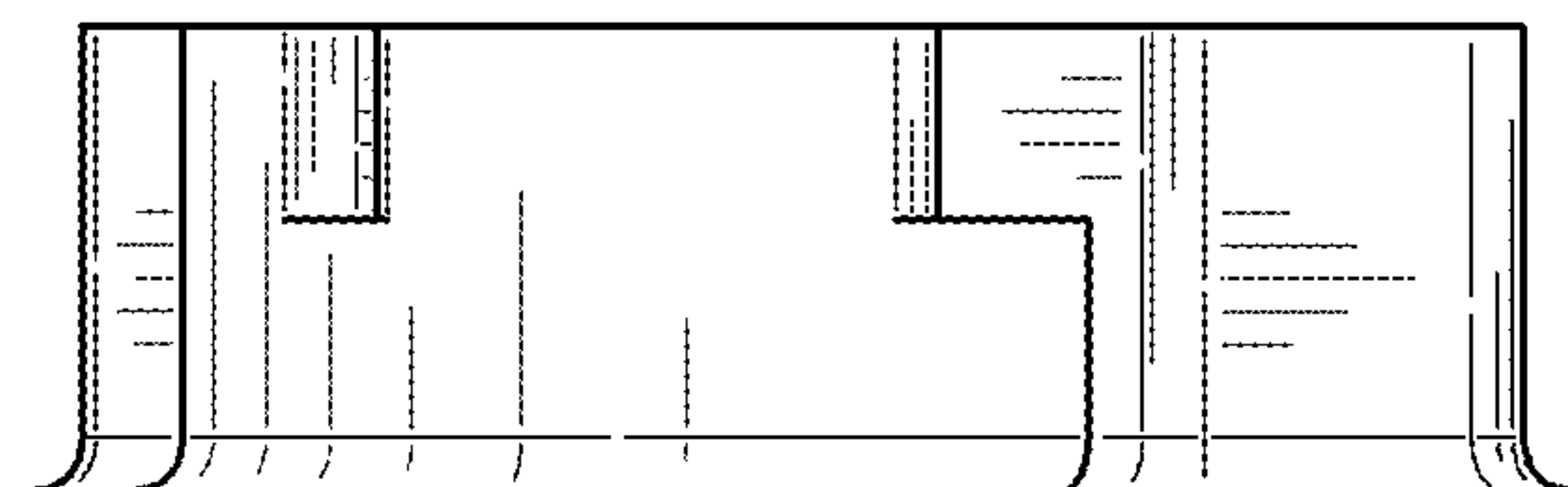


FIG. 66