



US00D917128S

(12) **United States Design Patent** (10) **Patent No.:** **US D917,128 S**  
**Sasaki** (45) **Date of Patent:** **\*\* Apr. 27, 2021**

(54) **CLOTHING WITH COLLAR**

(71) Applicant: **Beji Sasaki**, Tokyo (JP)

(72) Inventor: **Beji Sasaki**, Tokyo (JP)

(\*\*) Term: **15 Years**

(21) Appl. No.: **29/640,612**

(22) Filed: **Mar. 15, 2018**

(30) **Foreign Application Priority Data**

Sep. 19, 2017 (JP) ..... 2017-20390  
Sep. 19, 2017 (JP) ..... 2017-20393  
Dec. 22, 2017 (JP) ..... 2017-28760

(51) **LOC (13) Cl.** ..... **02-02**

(52) **U.S. Cl.**  
USPC ..... **D2/728; D2/602**

(58) **Field of Classification Search**  
USPC ..... D2/500, 501, 502, 503, 508, 600, 601,  
D2/602, 603, 604, 605, 608, 609, 802,  
D2/823, 826, 827, 840, 842, 853, 854,  
D2/858, 724, 725, 726, 727, 728, 739,  
D2/749, 750, 754, 755, 756, 779, 780,  
D2/781, 782, 797, 798, 799, 800, 801,  
D2/803, 804, 805, 806, 807, 808, 814,  
D2/829, 831, 834  
CPC .... A41B 1/00; A41B 1/08; A41B 1/12; A41B  
1/14; A41B 1/16; A41B 3/00; A41B  
3/005; A41B 3/02; A41B 3/06; A41B  
3/14; A41B 3/16; A41D 23/00; A41D  
2023/002; A41D 2023/004; A41D 25/00;  
A41D 25/001; A41D 25/005; A41D  
27/16; A41D 27/18

See application file for complete search history.

(56) **References Cited**

**U.S. PATENT DOCUMENTS**

D28,439 S \* 3/1898 Lockwood ..... D2/860  
805,259 A \* 11/1905 Brown ..... A41D 1/04  
2/90

D104,804 S \* 6/1937 Perper ..... D2/758  
D109,581 S \* 5/1938 Harris ..... D2/797  
D122,448 S \* 9/1940 Rentner ..... D2/797  
D129,195 S \* 8/1941 Weiser ..... D2/726  
D134,442 S \* 11/1942 Herdegen ..... D2/727  
D136,805 S \* 12/1943 Richman ..... D2/726  
D145,740 S \* 10/1946 McLaughlin ..... D2/727  
D157,214 S \* 2/1950 Taradash ..... D2/727  
D708,426 S \* 7/2014 Simons ..... D2/804

(Continued)

**OTHER PUBLICATIONS**

Vancouver Fashion Week 2017 FW\_WASSO VEGE's Collection shown Mar. 20-26, 2017, Vancouver, CA, and video of fashion show on youtube: <http://www.youtube.com/watch?v=RoVtefHevMo>, posted Apr. 26, 2017 and screen shots from throughout the video.

(Continued)

*Primary Examiner* — Jasmine Mlinarcik  
(74) *Attorney, Agent, or Firm* — Ladas & Parry, LLP

(57) **CLAIM**

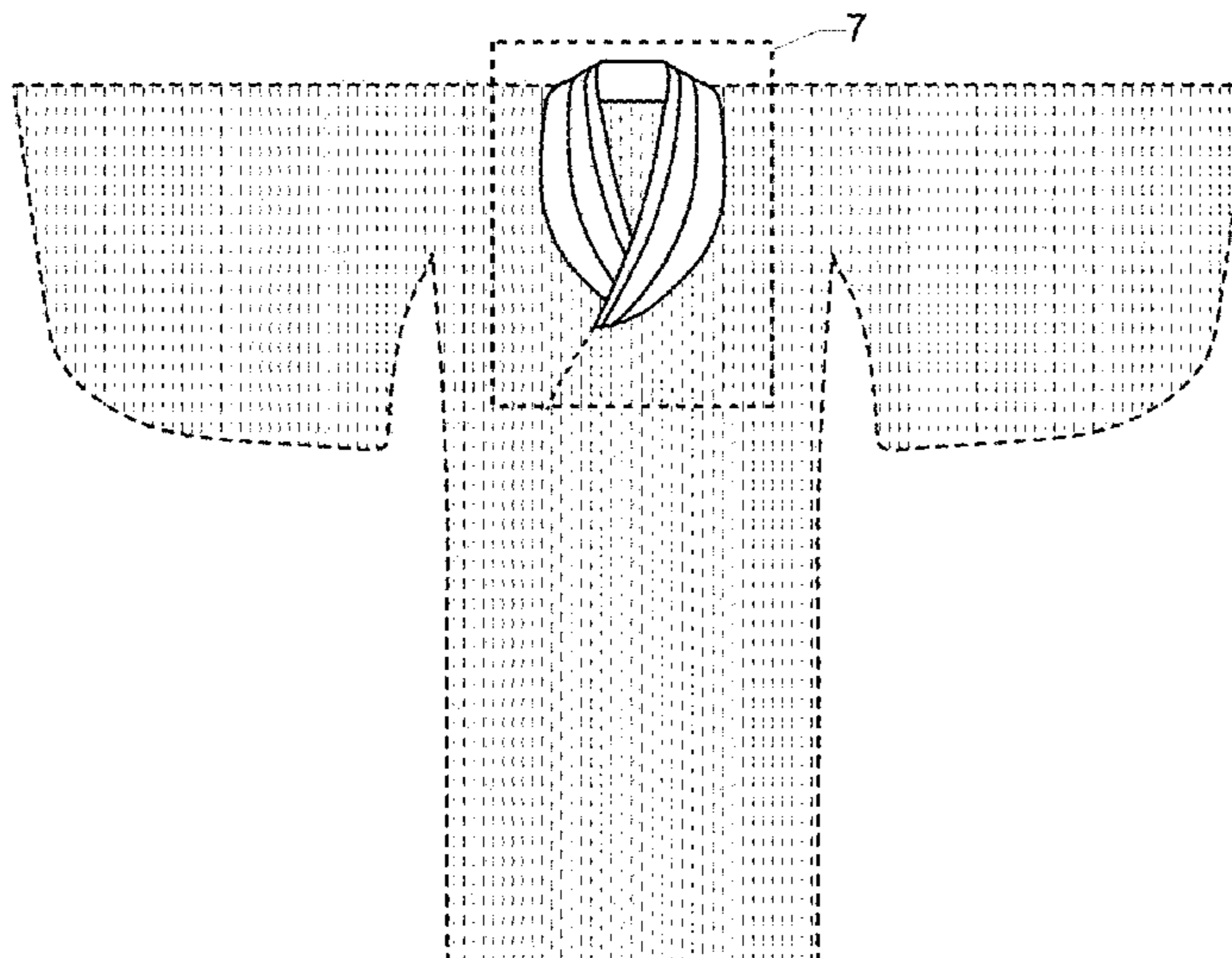
I claim the ornamental design for a clothing with collar, as shown and described.

**DESCRIPTION**

FIG. 1 is a front view of a first embodiment of a clothing with collar in accordance with the design;  
FIG. 2 is a rear view of the design thereof;  
FIG. 3 is a left side view of the design thereof;  
FIG. 4 is a right side view of the design thereof;  
FIG. 5 is a top plan view of the design thereof;  
FIG. 6 is an underside plan view of the design thereof; and,  
FIG. 7 is an enlarged partial view of the area labeled "7" shown in FIG. 1.

The broken lines depict portions of the clothing with collar that form no part of the claimed design.

**1 Claim, 5 Drawing Sheets**



(56)

**References Cited**

U.S. PATENT DOCUMENTS

D825,141 S \* 8/2018 Jeong ..... D2/739  
2015/0157064 A1\* 6/2015 Inoue ..... A41D 1/22  
2/74

OTHER PUBLICATIONS

Vancouver Fashion Week 2017 FW\_WASSO VEGE's Collection  
shown on Mar. 20-26, Vancouver, CA, Photographs posted to  
Instagram at [www.instagram.com/wassoveges](http://www.instagram.com/wassoveges).

\* cited by examiner

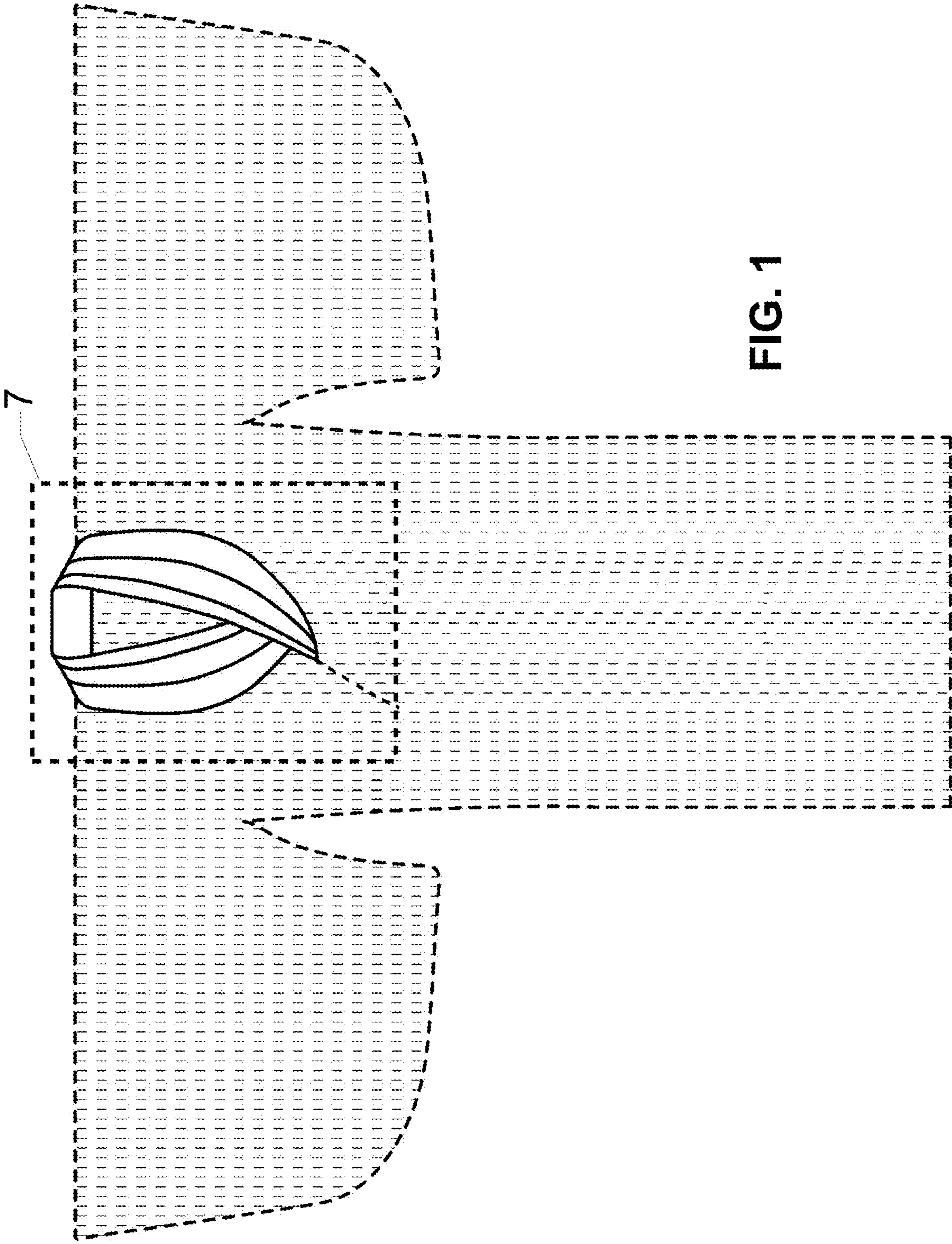


FIG. 1

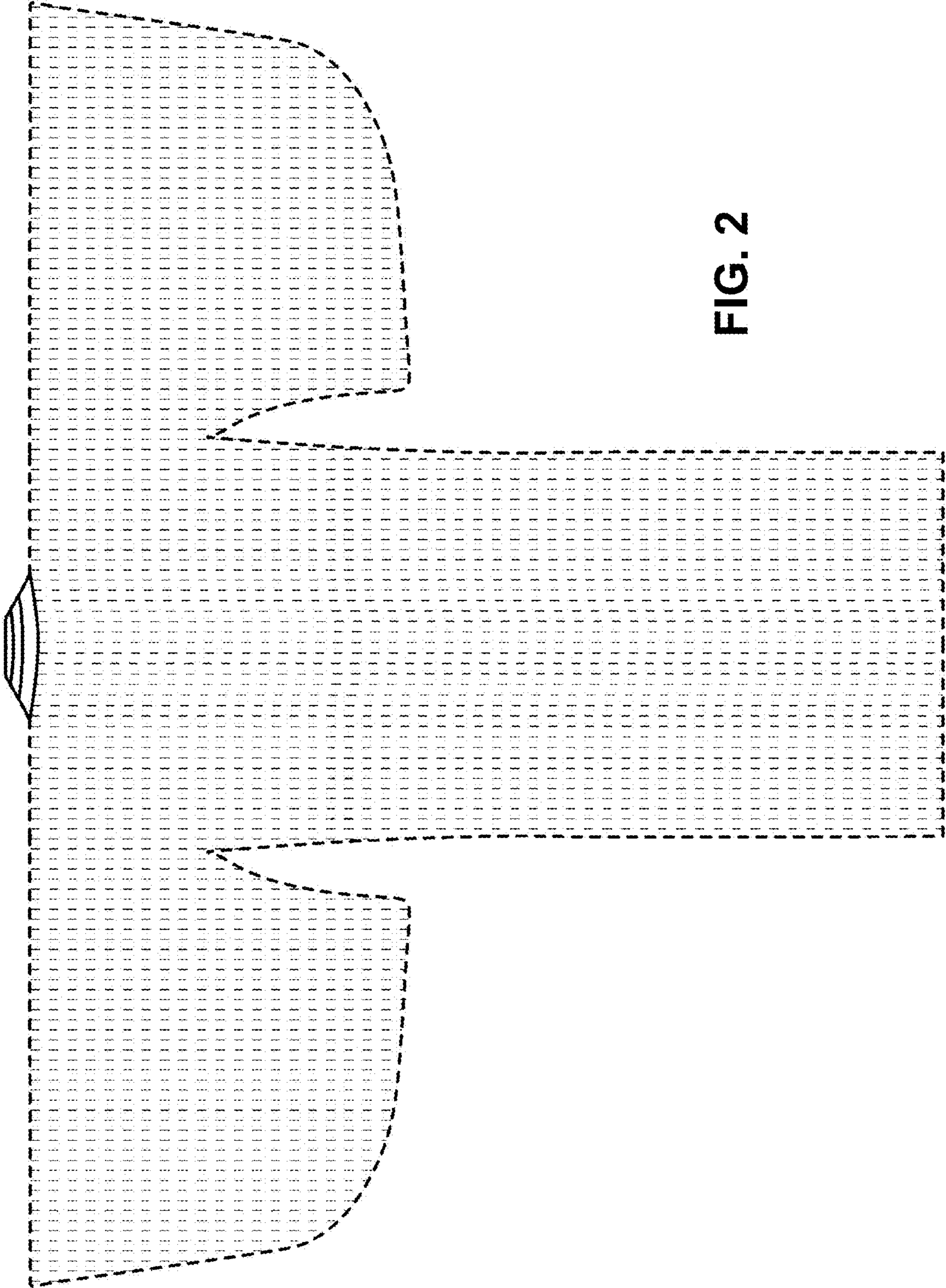
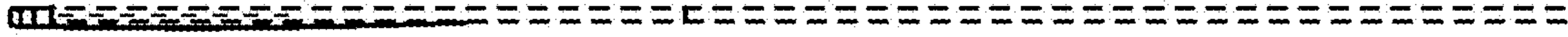
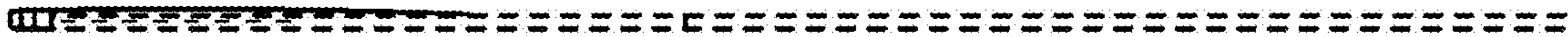


FIG. 2



**FIG. 4**



**FIG. 3**



**FIG. 5**



**FIG. 6**

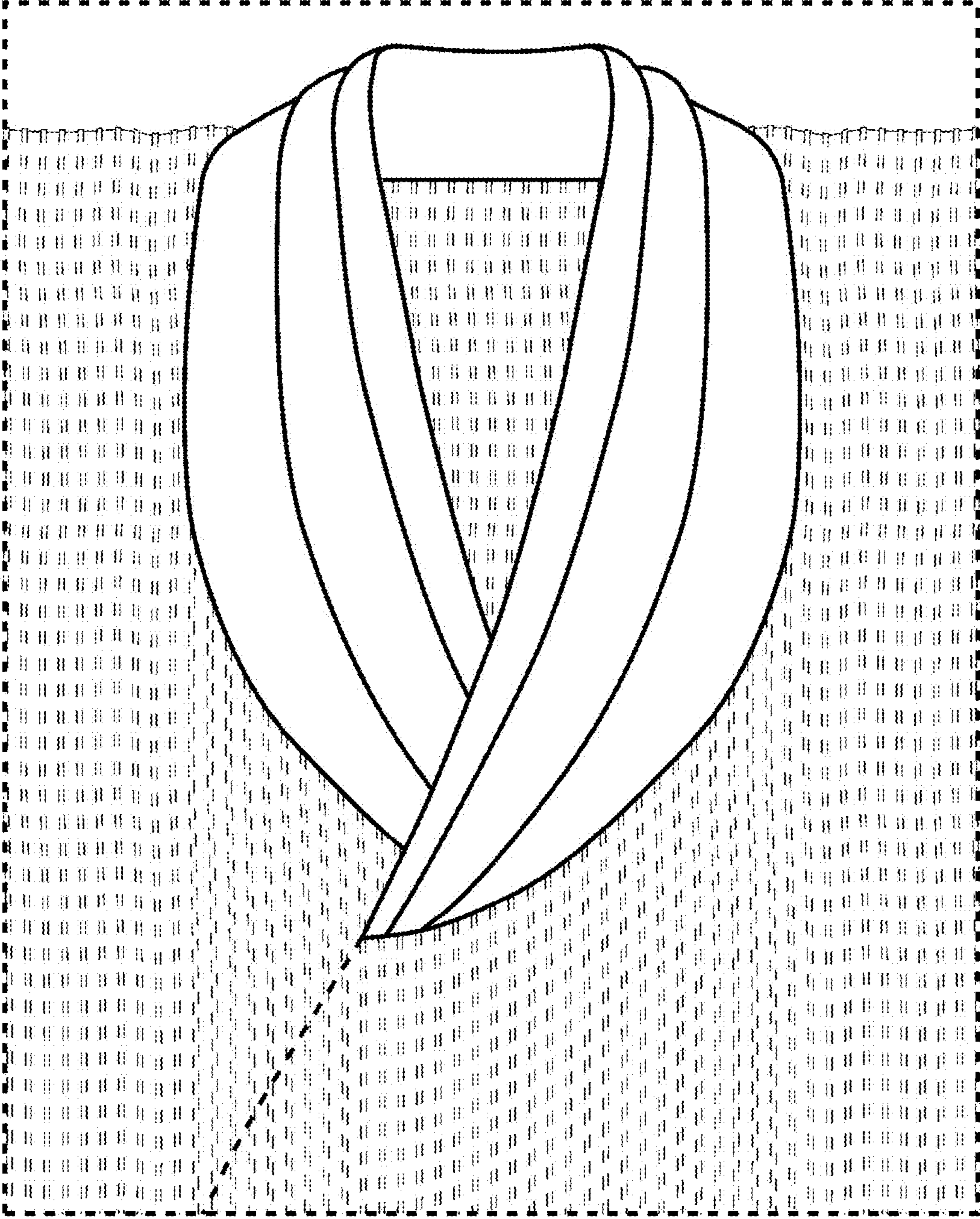


FIG. 7