



US00D917127S

(12) **United States Design Patent**  
**Chisholm et al.**

(10) **Patent No.:** **US D917,127 S**

(45) **Date of Patent:** **\*\* Apr. 27, 2021**

(54) **DOUBLE-LINED INTERIOR AND EXTERIOR  
POCKET MALE UNDERGARMENT**

(71) Applicants: **Clinton Chisholm**, Harrington Pk, NJ  
(US); **Mercedes Chisholm**, Harrington  
Pk, NJ (US); **Andrew Chisholm**,  
Harrington Pk, NJ (US)

(72) Inventors: **Clinton Chisholm**, Harrington Pk, NJ  
(US); **Mercedes Chisholm**, Harrington  
Pk, NJ (US); **Andrew Chisholm**,  
Harrington Pk, NJ (US)

(\*\*) Term: **15 Years**

(21) Appl. No.: **29/679,811**

(22) Filed: **Feb. 11, 2019**

(51) **LOC (13) Cl.** ..... **02-01**

(52) **U.S. Cl.**  
USPC ..... **D2/712**

(58) **Field of Classification Search**  
USPC ..... D2/712-714, 716, 738; 2/238, 400, 403,  
2/408  
CPC ... A41B 2300/30; A41B 2300/24; A41B 9/00;  
A41B 9/02  
See application file for complete search history.

(56) **References Cited**

U.S. PATENT DOCUMENTS

- 2,623,210 A \* 12/1952 Chatfield ..... D04B 1/243  
450/104
- 2,827,051 A \* 3/1958 Severson ..... A41B 9/02  
602/67
- 4,446,575 A \* 5/1984 Davis ..... A41D 13/1254  
2/400
- 5,070,869 A \* 12/1991 Zhang ..... A41B 9/02  
2/403
- D378,947 S \* 4/1997 Desmond ..... D2/701
- D408,964 S \* 5/1999 Hernandez ..... D2/700
- 5,901,607 A 5/1999 Kimura

- 6,295,651 B1 \* 10/2001 Kang ..... A41B 9/023  
2/403
- 6,848,121 B1 \* 2/2005 Halid ..... A61F 13/66  
2/400
- 7,958,571 B2 6/2011 Kitsch et al.
- D759,345 S \* 6/2016 Astin ..... D2/712
- D761,520 S \* 7/2016 Klein ..... D2/712
- D846,833 S \* 4/2019 Cai ..... D2/712
- D864,523 S \* 10/2019 Diamond ..... D2/712

(Continued)

*Primary Examiner* — Kevin K Rudzinski

*Assistant Examiner* — J. Thorn, Sr.

(74) *Attorney, Agent, or Firm* — Boudwin Intellectual  
Property; Daniel Boudwin

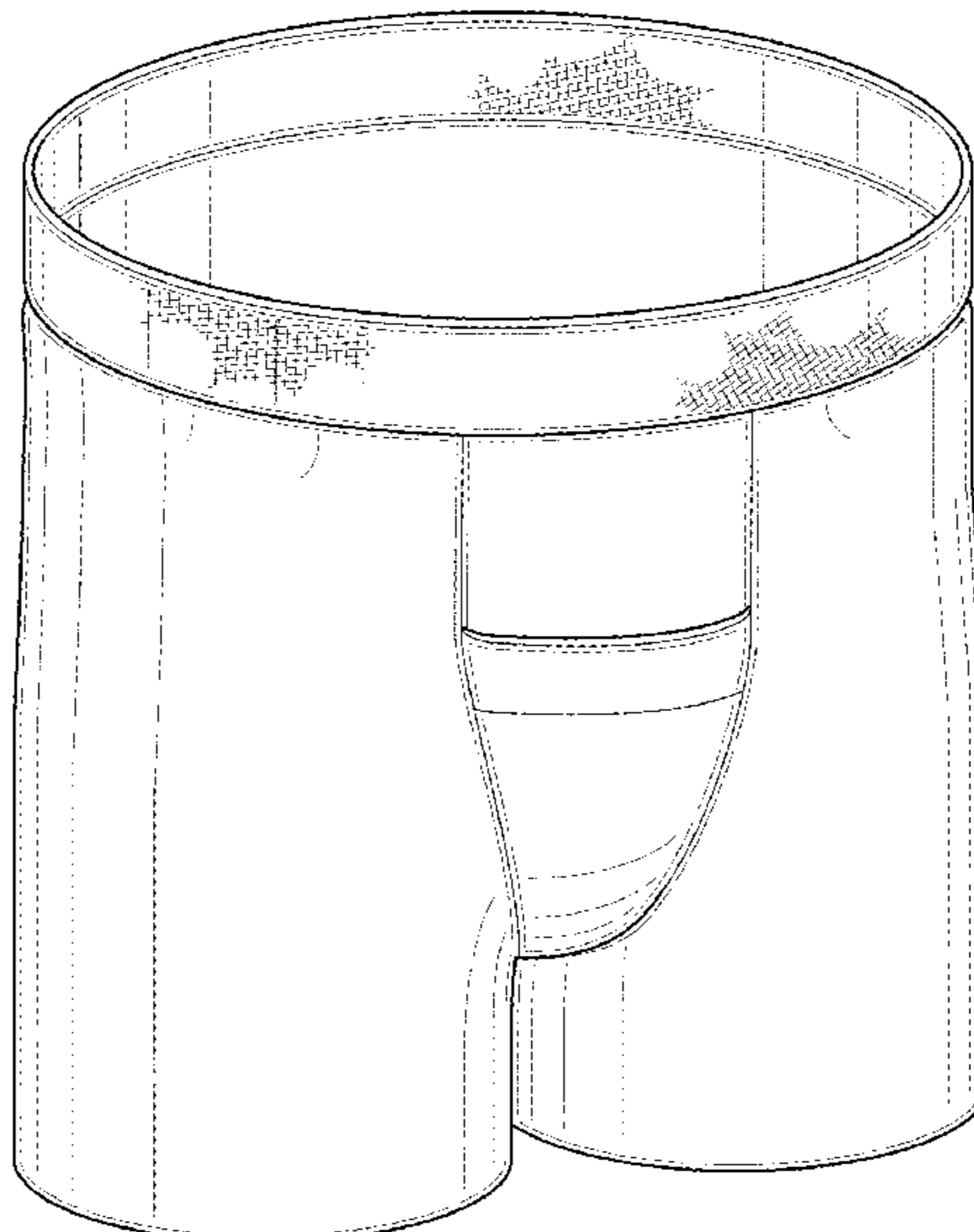
(57) **CLAIM**

The ornamental design for a double-lined interior and exterior pocket male undergarment, as shown and described.

**DESCRIPTION**

FIG. 1 is a perspective view of a double-lined interior and exterior pocket male undergarment;  
 FIG. 2 is a front view of the double-lined interior and exterior pocket male undergarment;  
 FIG. 3 is a rear view of the double-lined interior and exterior pocket male undergarment;  
 FIG. 4 is a right side view of the double-lined interior and exterior pocket male undergarment;  
 FIG. 5 is a left side view of the double-lined interior and exterior pocket male undergarment;  
 FIG. 6 is a top plan view of the double-lined interior and exterior pocket male undergarment; and,  
 FIG. 7 is a bottom plan view of the double-lined interior and exterior pocket male undergarment.  
 The shade lines in the Figures show contour and not surface ornamentation. The broken lines in FIG. 7 depict portions of the double-lined interior and exterior pocket male undergarment that form no part of the claimed design.

**1 Claim, 4 Drawing Sheets**



(56)

**References Cited**

U.S. PATENT DOCUMENTS

D871,020	S	*	12/2019	Williams	.....	D2/712
2006/0191059	A1		8/2006	Smith		
2009/0106874	A1		4/2009	Shlush		
2009/0158505	A1		6/2009	Fleming et al.		
2013/0174328	A1	*	7/2013	Rolon	.....	A41B 9/023 2/403
2016/0374403	A1	*	12/2016	Sklar	.....	A41B 9/02 2/404

\* cited by examiner

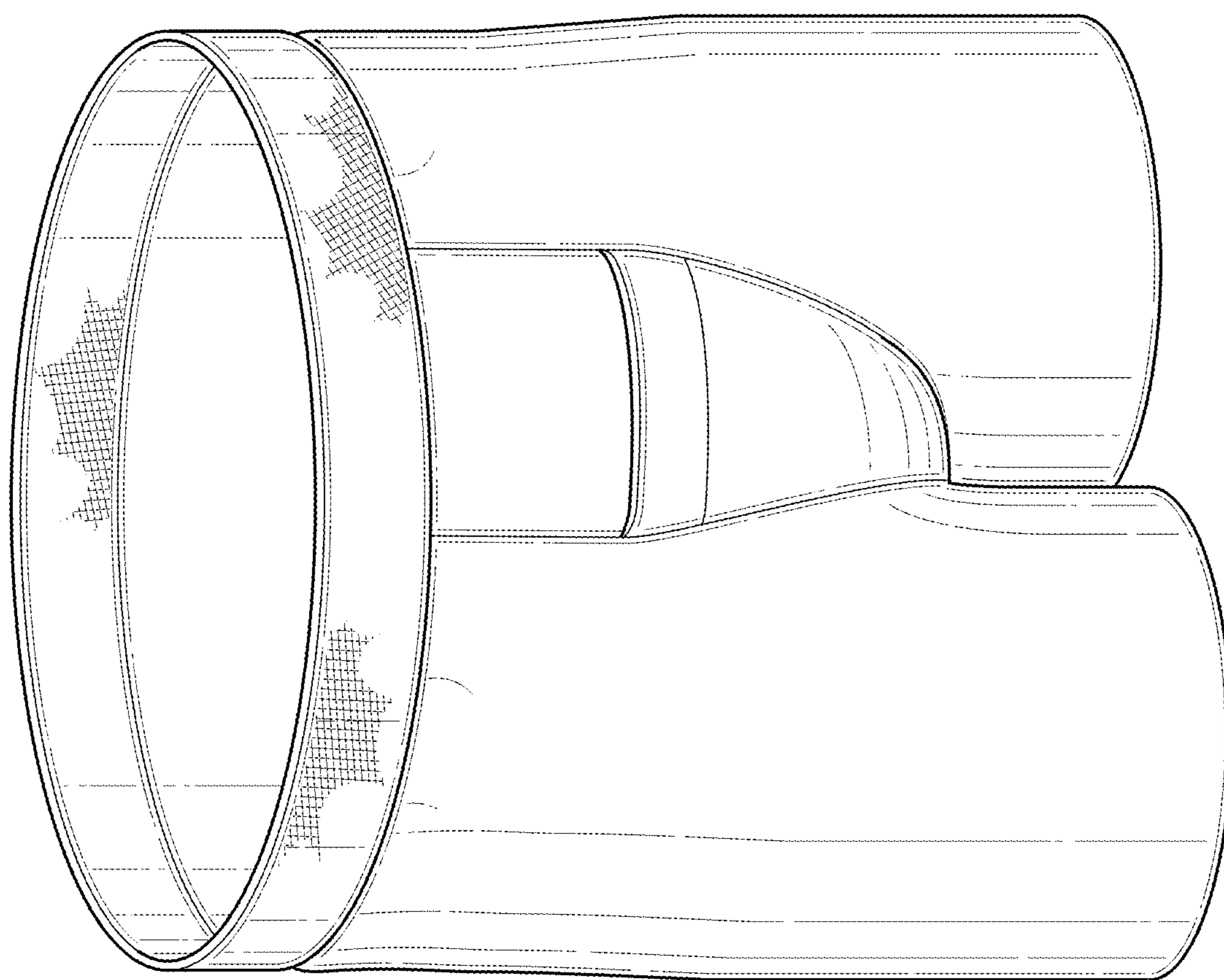


FIG. 1

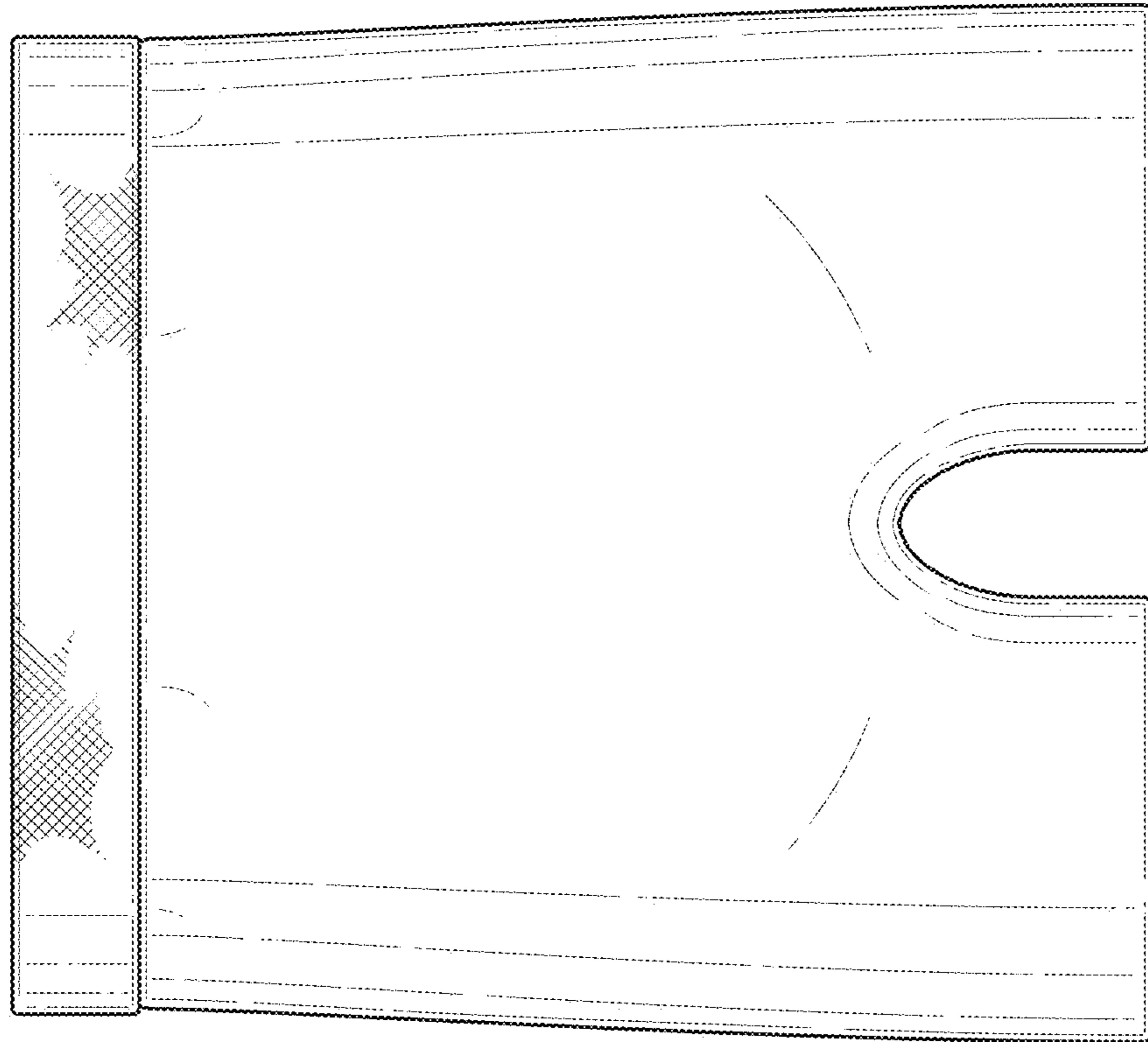


FIG. 3

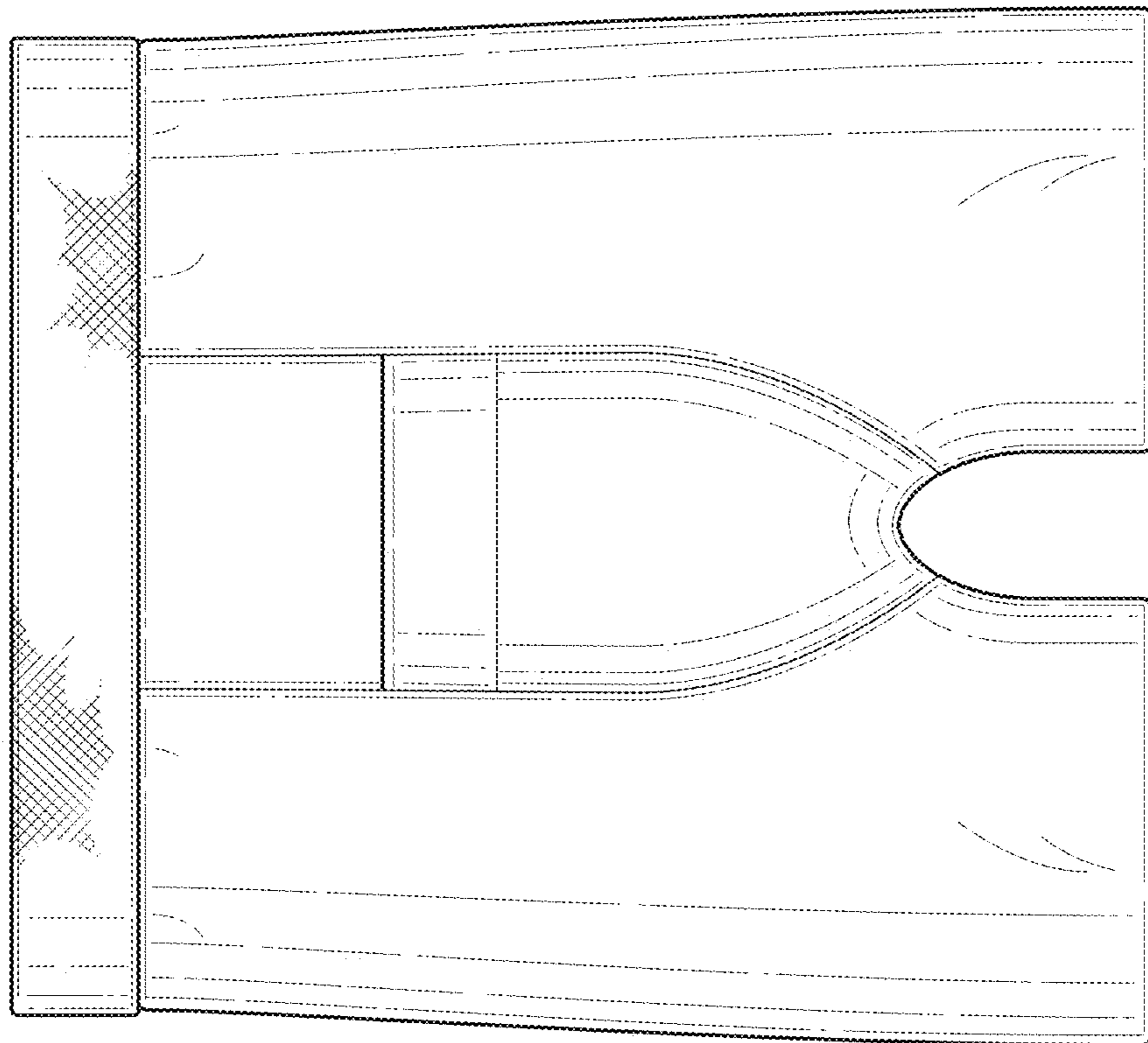


FIG. 2

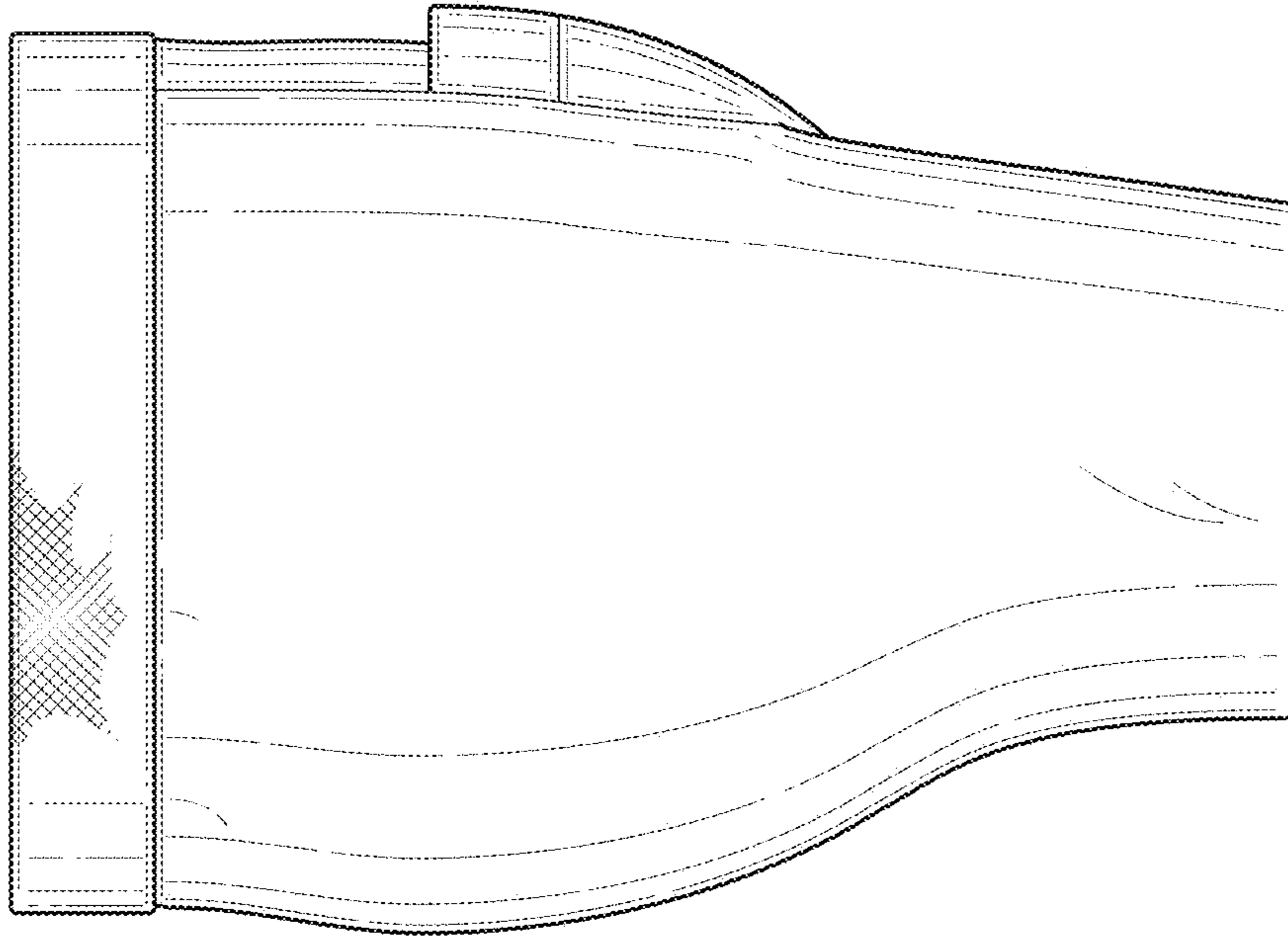


FIG. 5

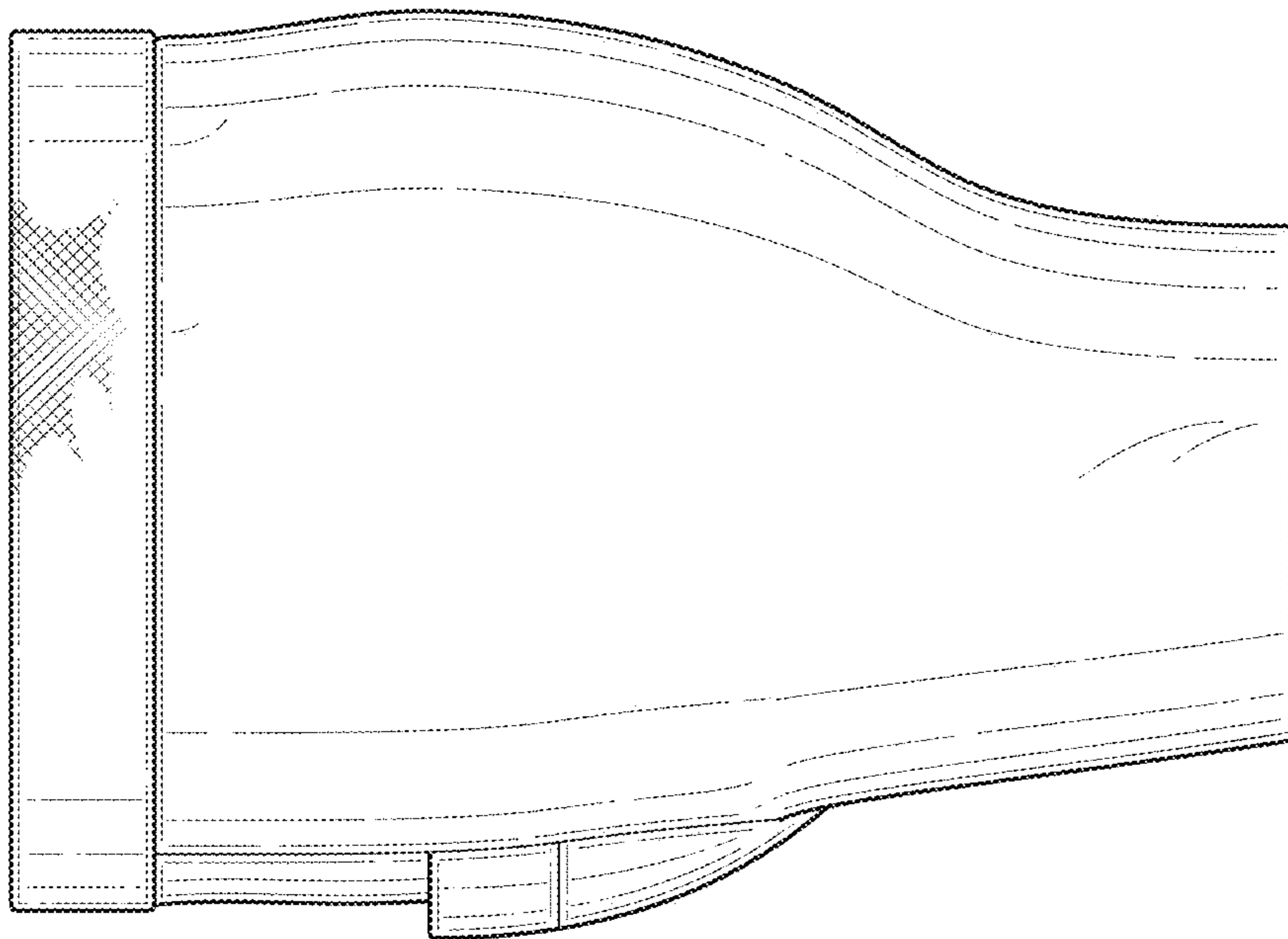


FIG. 4

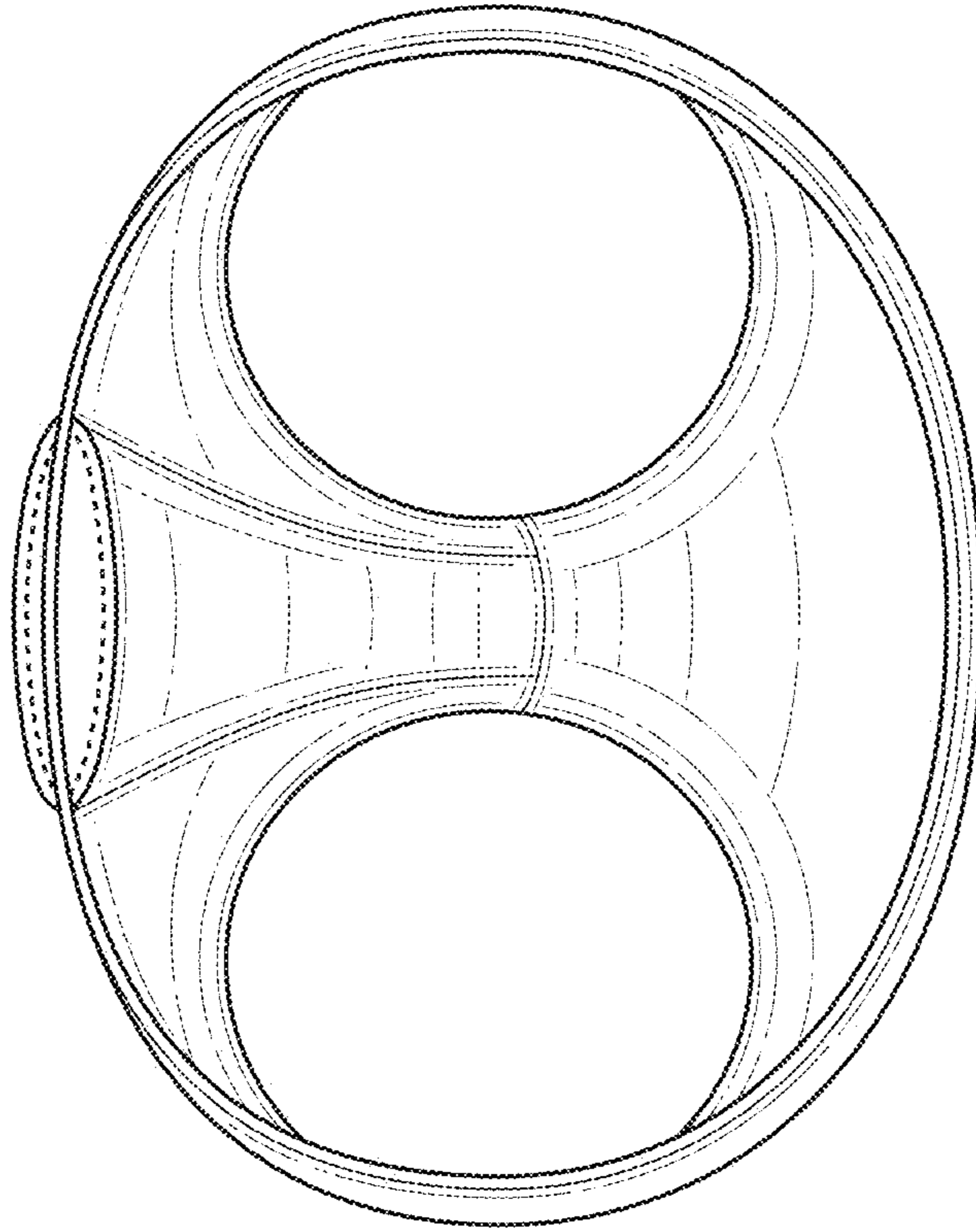


FIG. 7

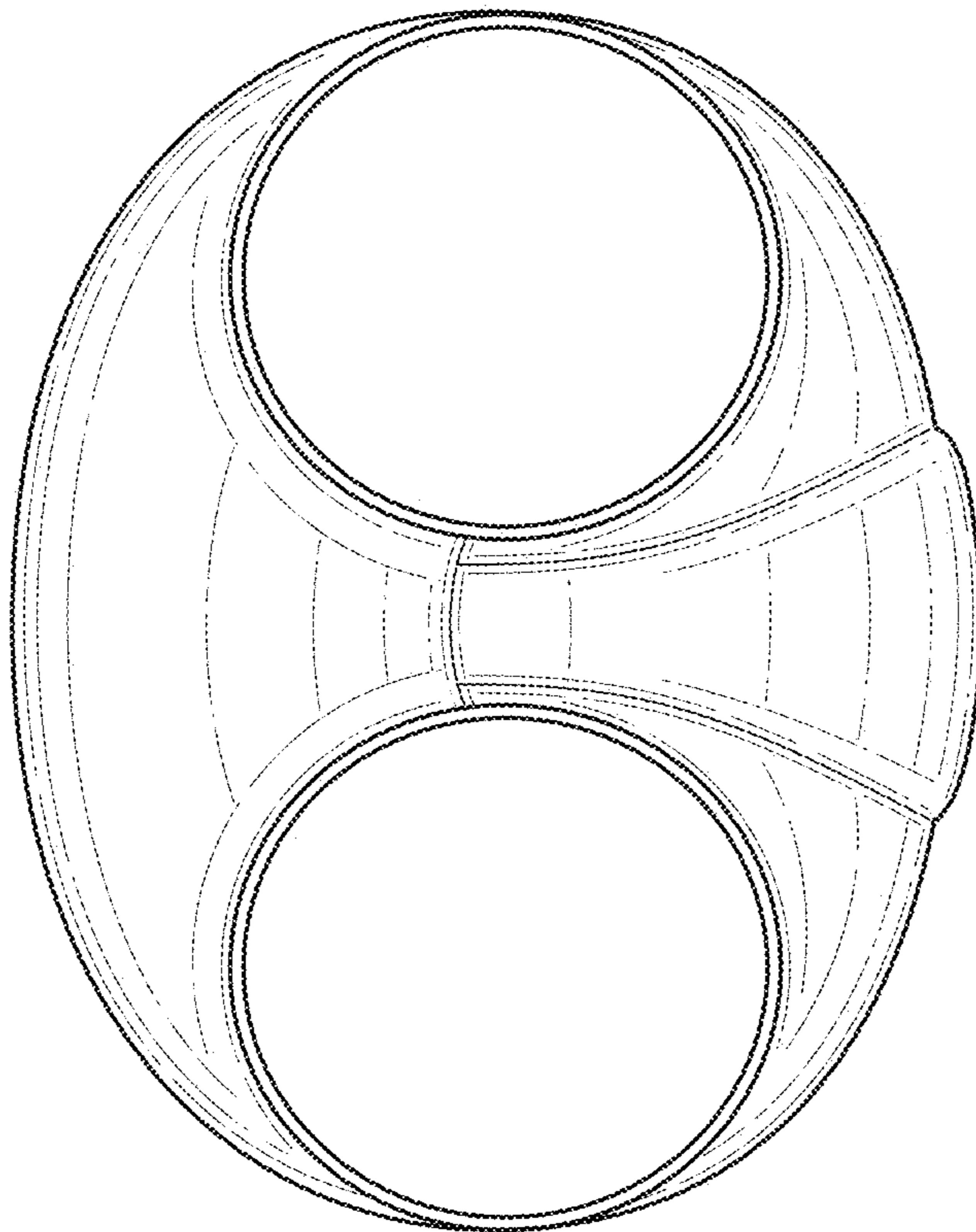


FIG. 6