



US00D917122S

(12) **United States Design Patent** (10) **Patent No.:** **US D917,122 S**
Hamilton (45) **Date of Patent:** **** Apr. 20, 2021**

(54) **PAINT TRAY LINER**
(71) Applicant: **James Elree Hamilton**, Georgetown, TX (US)
(72) Inventor: **James Elree Hamilton**, Georgetown, TX (US)
(**) Term: **15 Years**
(21) Appl. No.: **29/728,940**
(22) Filed: **Mar. 23, 2020**
(51) **LOC (13) Cl.** **07-05**
(52) **U.S. Cl.**
USPC **D32/53.1**
(58) **Field of Classification Search**
USPC D32/53, 53.1, 54
CPC B44D 3/126; A45F 5/10; A45F 15/57
See application file for complete search history.

2009/0265875 A1* 10/2009 Clamp B44D 3/126
15/257.06
2015/0165816 A1* 6/2015 Bar Shlomo B44D 3/126
220/570
2017/0268720 A1* 9/2017 Rogers B44D 3/126
2020/0247176 A1* 8/2020 Farias A45F 5/10

OTHER PUBLICATIONS

Ecosmart Paint Tray <https://hdsupplysolutions.com/p/paint-trays-00-100-80-25/encore-75eco-ecosmart-paint-tray-liner-fits-45-plastic-tray-package-of-75-p248384> (Year: 2021).*
Plastic Paint trays https://www.amazon.com/Piece-Paint-Roller-Repair-Tools/dp/B078SRNFC4/ref=zg_bs_17881638011_4?encoding=UTF8&psc=1&refRID=P72DZYSXND1ER95BSRGE (Year: 2018).*
Deepwell Plastic Tray liner <https://www.cappyspaint.com/3-qt-deepwell-plastic-tray-liner.html> (Year: 2021).*
Deep Well Disposable white <https://highway-to-buy.myshopify.com/products/200-ea-leaktite-75-deep-well-disposable-white-paint-roller-tray-liners> (Year: 2021).*

* cited by examiner

Primary Examiner — Michelle E. Wilson
Assistant Examiner — Richard E Yenchsky
(74) *Attorney, Agent, or Firm* — Patent Law Office PC; Bao Tran

(56) **References Cited**

U.S. PATENT DOCUMENTS

D208,969 S * 10/1967 Paxton D32/53.1
3,514,012 A * 5/1970 Martin B44D 3/126
220/570
D264,897 S * 6/1982 Smith D32/53.1
D583,521 S * 12/2008 Arvinte D32/53.1
D601,768 S * 10/2009 Moon D32/53.1
D604,920 S * 11/2009 Bergman D32/53.1
D612,119 S * 3/2010 Bergman D32/54
D619,319 S * 7/2010 Bergman D32/54
D627,120 S * 11/2010 Davidson D32/54
D630,394 S * 1/2011 Bergman D32/54
D654,644 S * 2/2012 Davidson D32/54
D692,632 S * 10/2013 Church D32/54
D765,935 S * 9/2016 Horton, III D32/53.1
D785,888 S * 5/2017 Hernandez D32/53.1

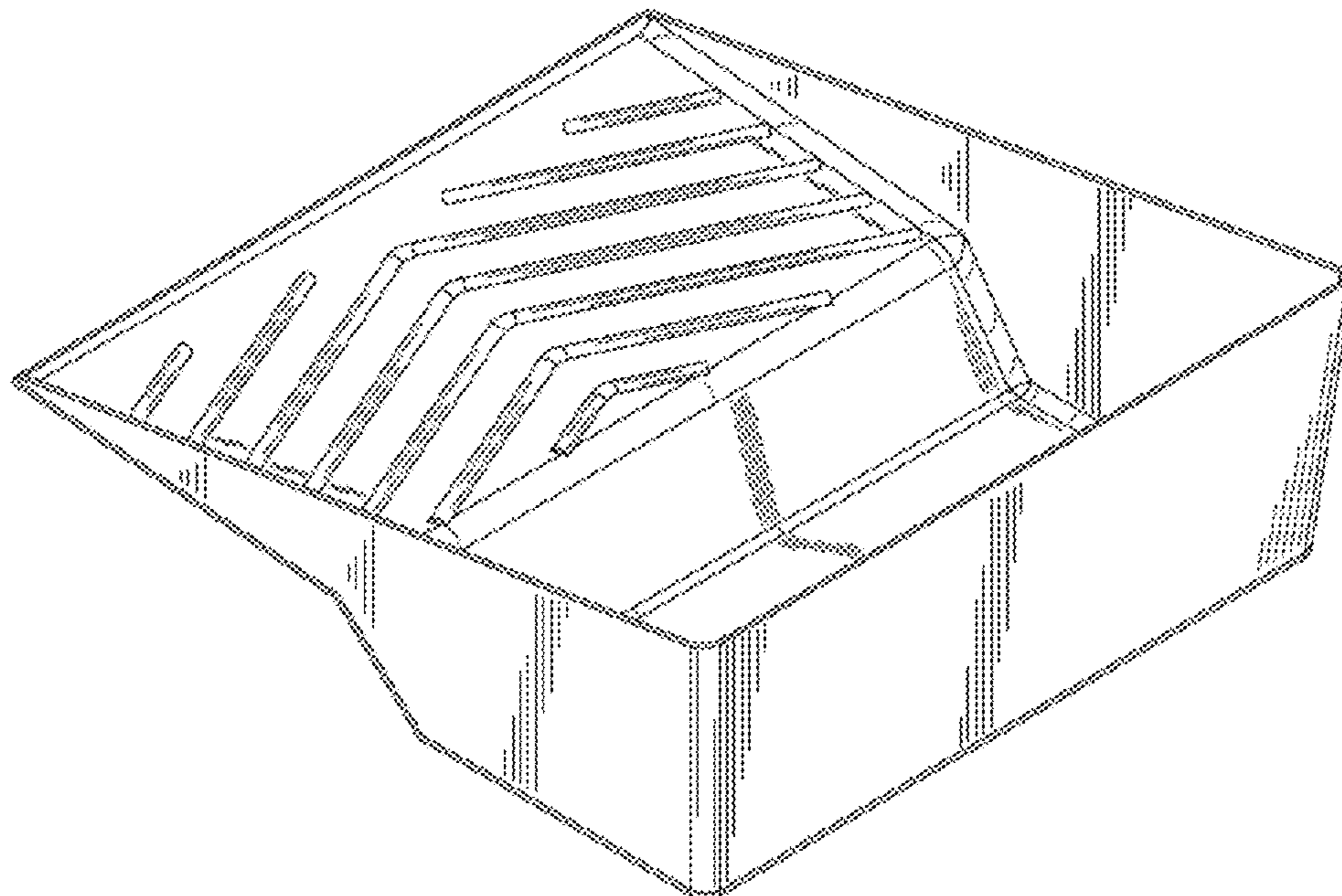
(57) **CLAIM**

The ornamental design for a paint tray liner, as shown and described.

DESCRIPTION

FIG. 1 is a perspective view of a paint tray liner.
FIG. 2 is a top view of a paint tray liner.
FIG. 3 is a bottom view of the paint tray liner.
FIG. 4 is a front view of the paint tray liner.
FIG. 5 is a rear view of the paint tray liner.
FIG. 6 is a left side view of the paint tray liner; and,
FIG. 7 is a right side view of the paint tray liner.

1 Claim, 6 Drawing Sheets



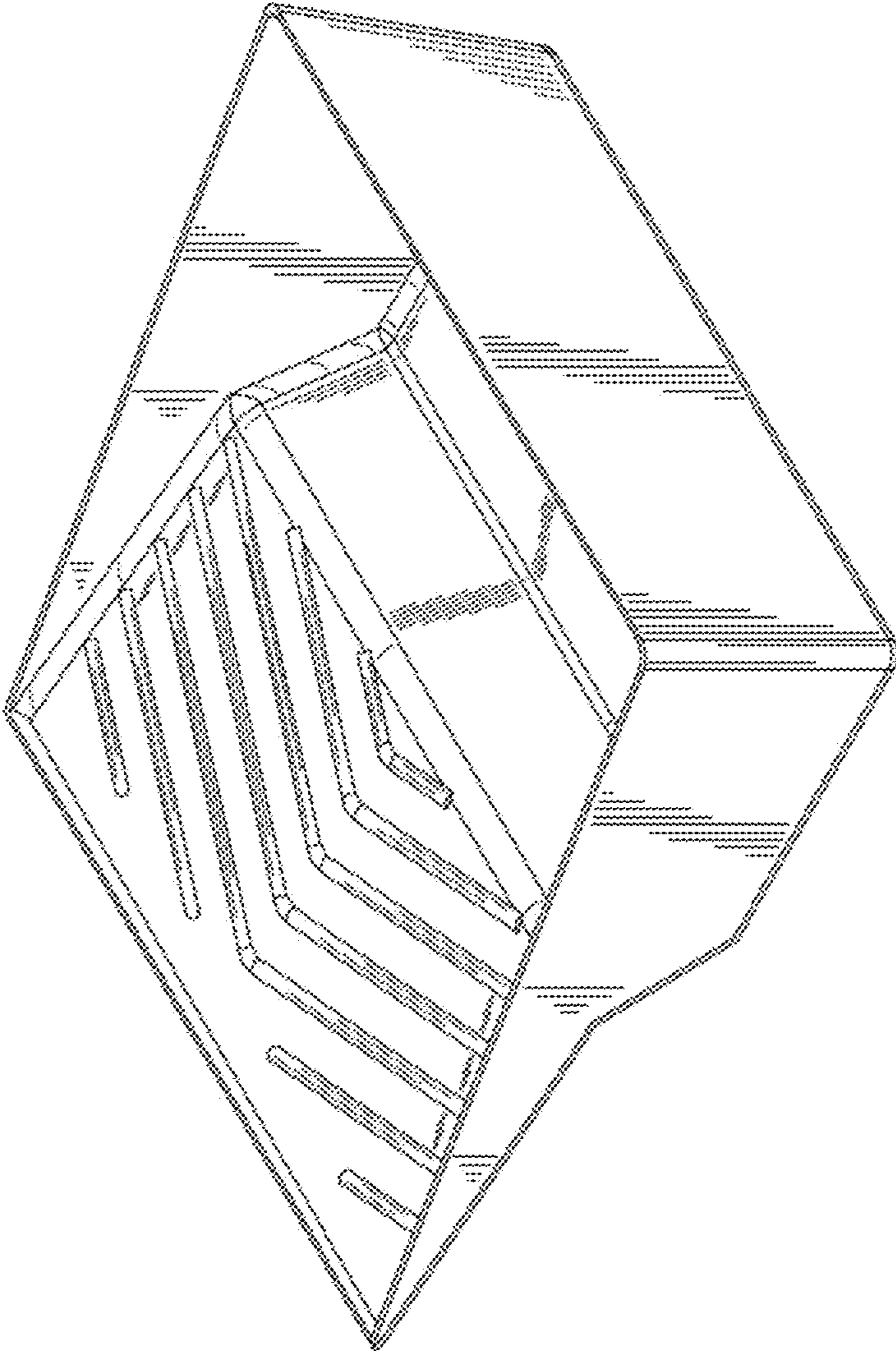


FIG. 1

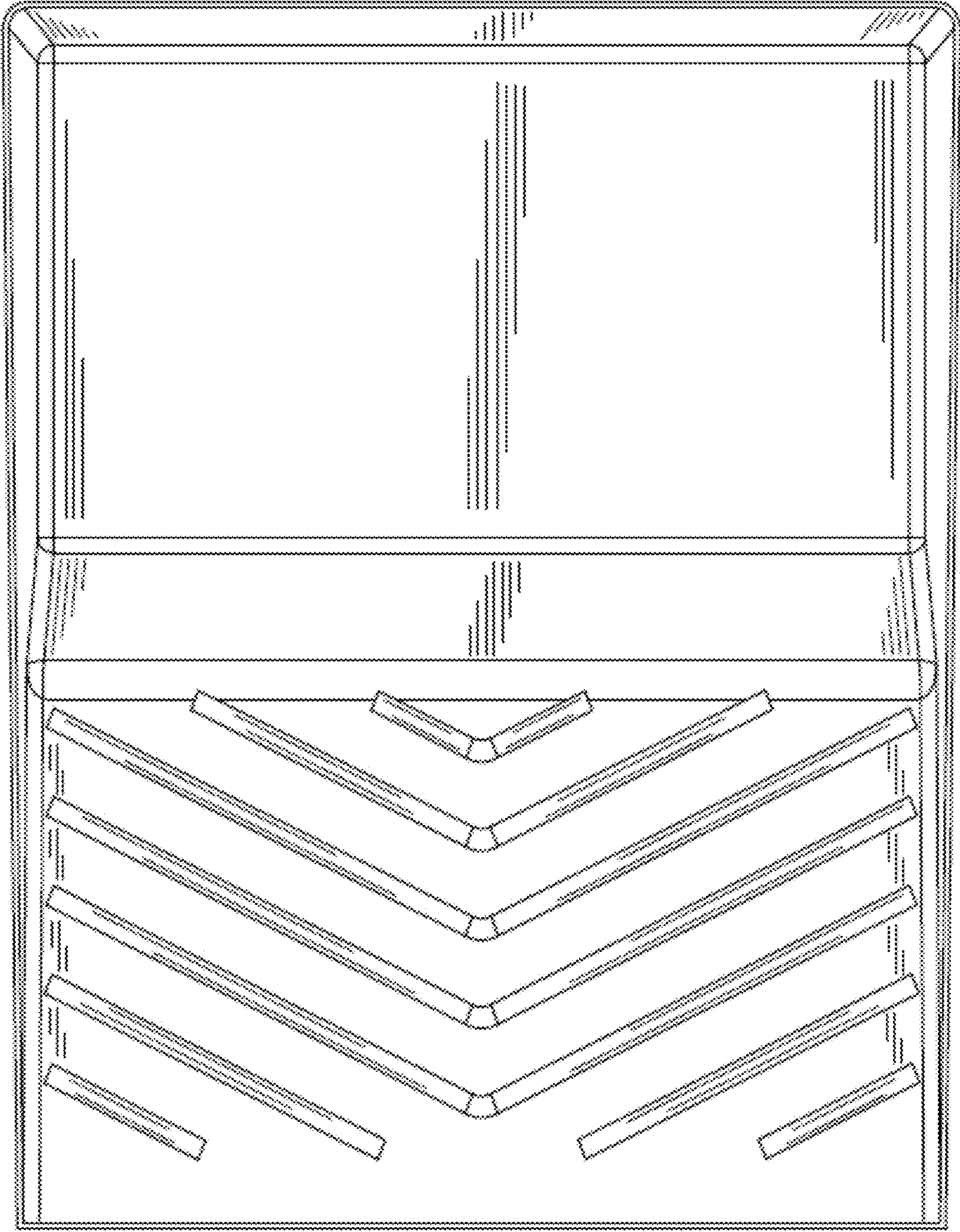


FIG. 2

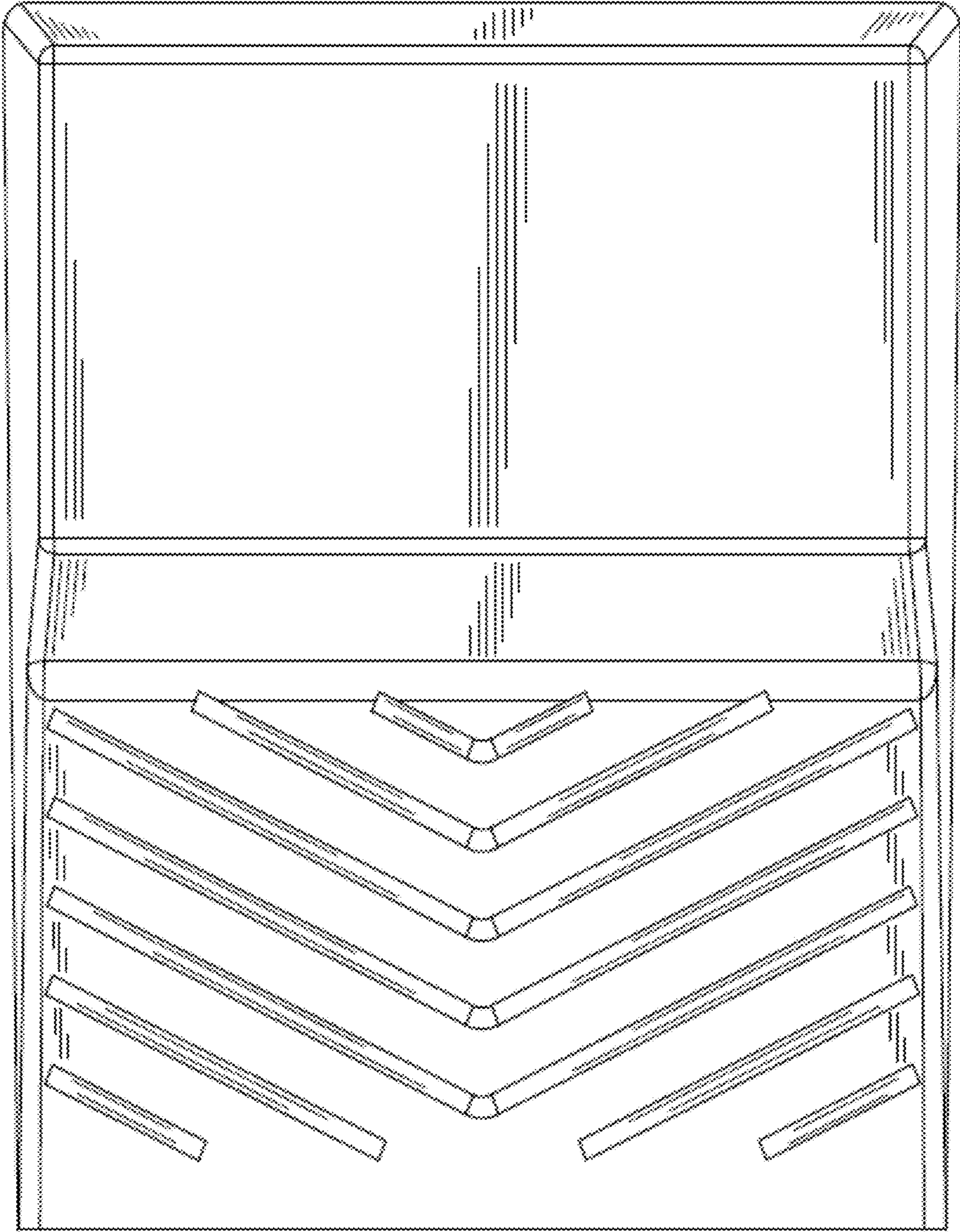


FIG. 3

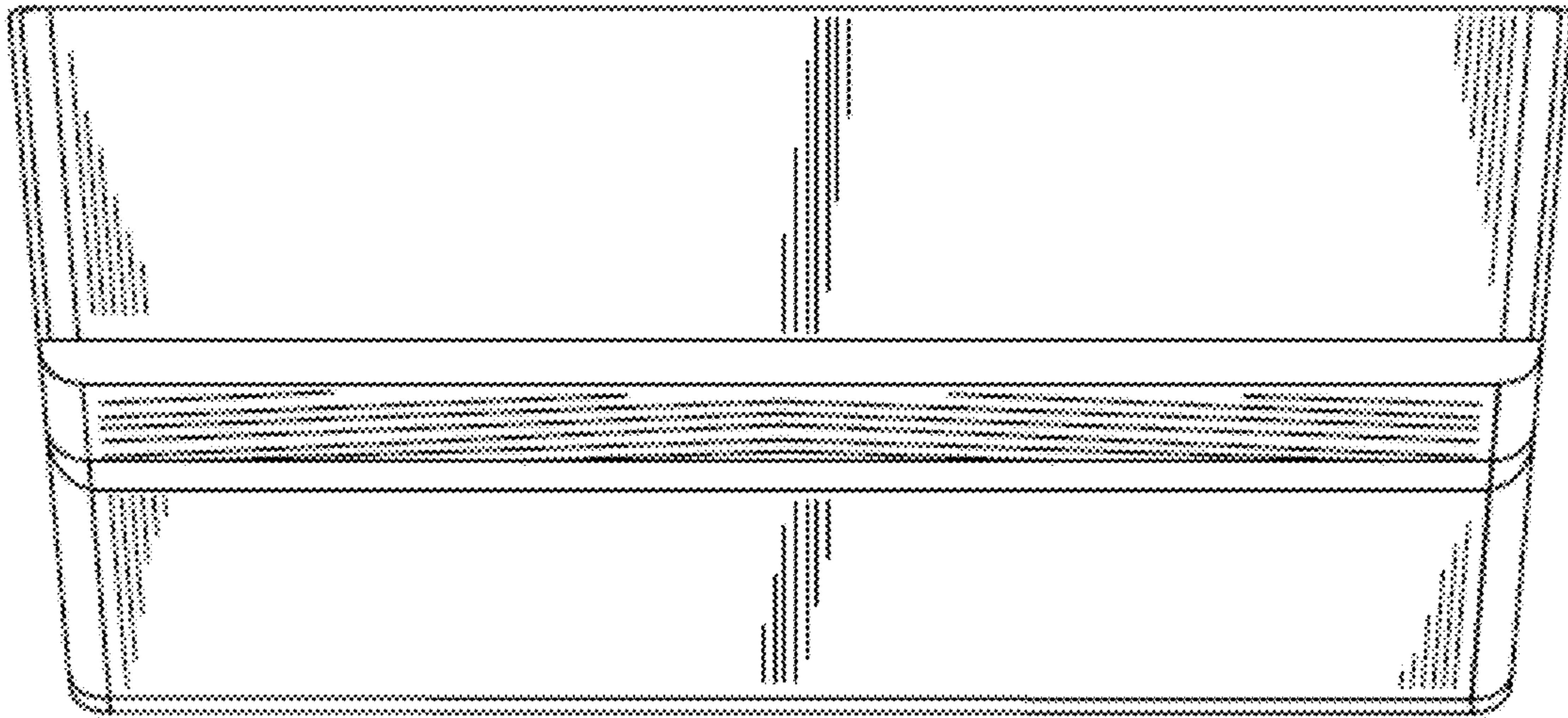


FIG. 4

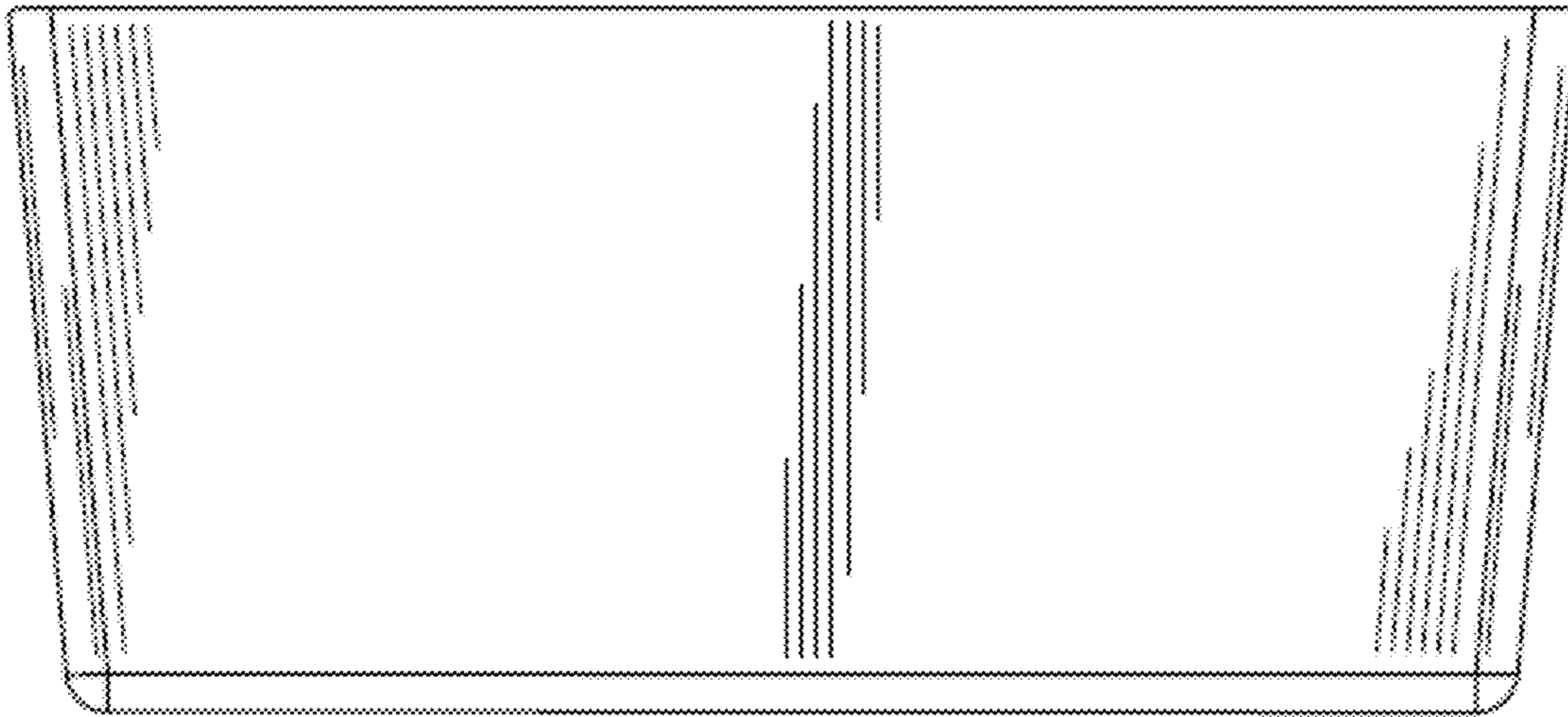


FIG. 5

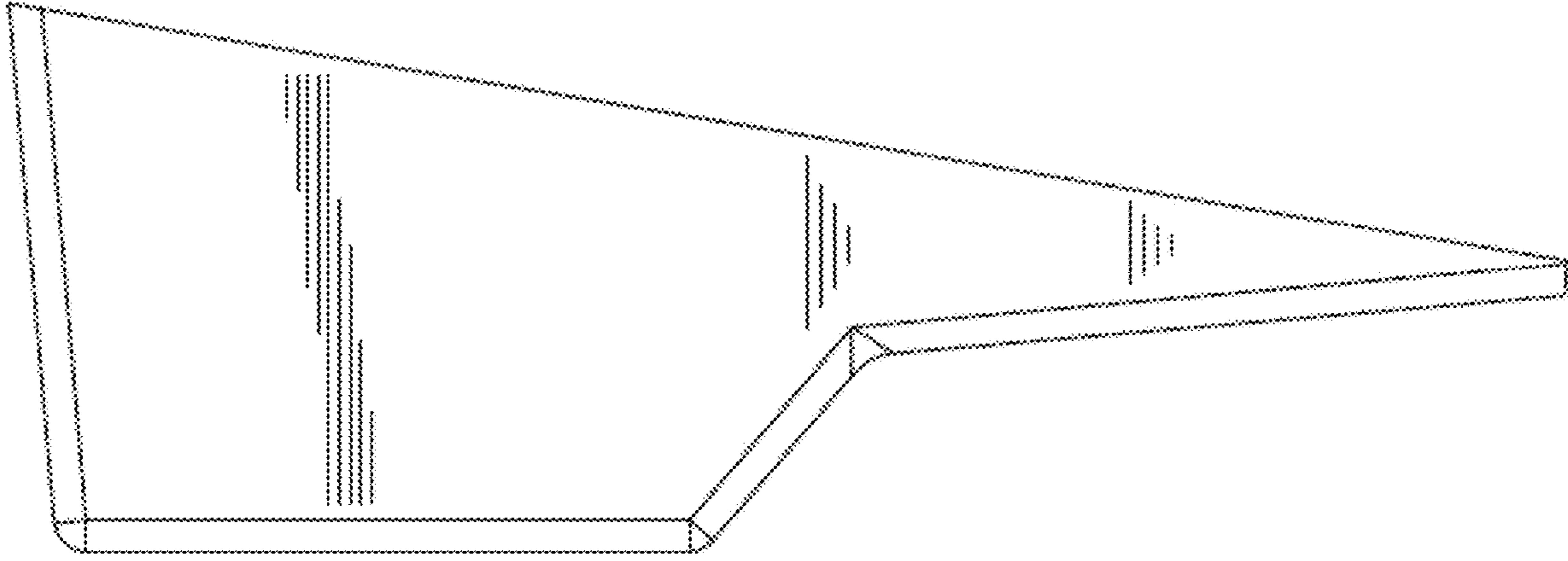


FIG. 6

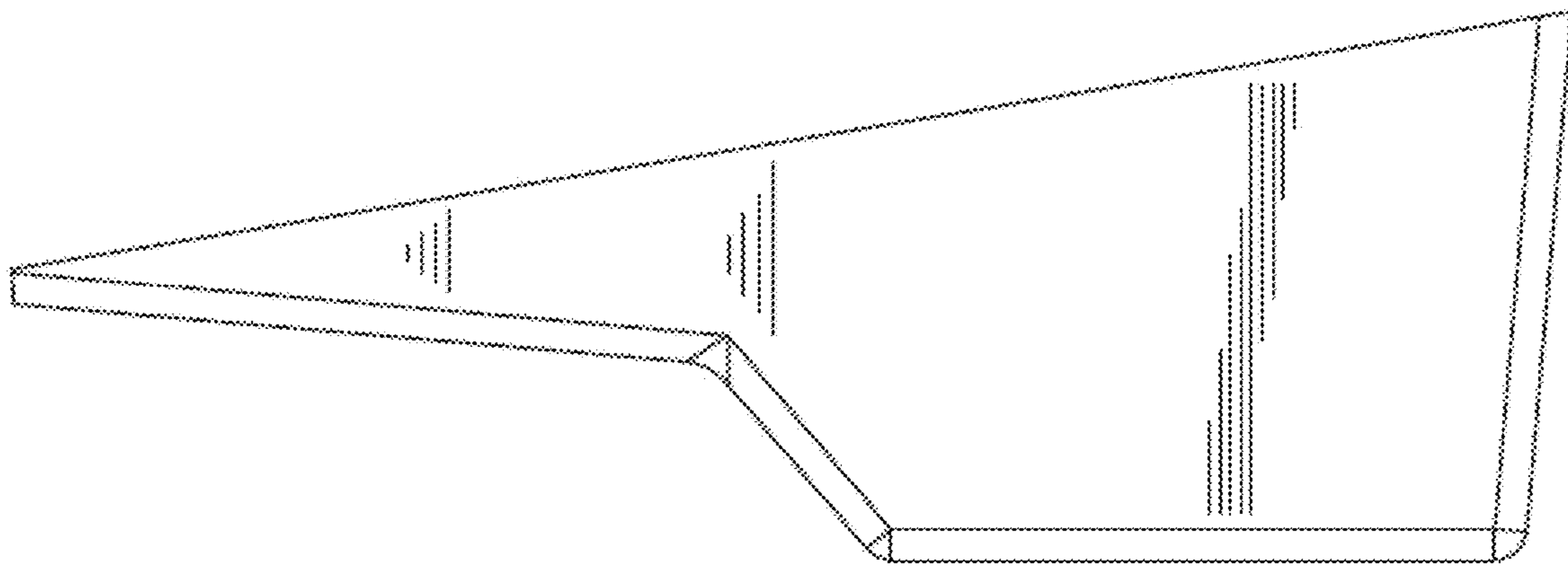


FIG. 7