



US00D917120S

(12) **United States Design Patent** (10) **Patent No.:** **US D917,120 S**
Lee et al. (45) **Date of Patent:** **** Apr. 20, 2021**

(54) **WASHING MACHINE DRUM LIFTER**
(71) Applicant: **LG ELECTRONICS INC.**, Seoul (KR)
(72) Inventors: **Kyungah Lee**, Seoul (KR); **Eunyoung Chee**, Seoul (KR); **Youngsoo Ha**, Seoul (KR)
(73) Assignee: **LG ELECTRONICS INC.**, Seoul (KR)
(**) Term: **15 Years**
(21) Appl. No.: **35/508,390**
(22) Filed: **Jul. 19, 2019**

(80) **Hague Agreement Data**
Int. Filing Date: **Jul. 19, 2019**
Int. Reg. No.: **DM/204969**
Int. Reg. Date: **Jul. 19, 2019**
Int. Reg. Pub. Date: **Jan. 24, 2020**

(51) **LOC (13) Cl.** **32-03**
(52) **U.S. Cl.**
USPC **D32/29**
(58) **Field of Classification Search**
USPC D32/1-6, 25, 28, 29
CPC D06F 58/10; D06F 11/00; D06F 2105/24;
D06F 33/00; D06F 39/008; D06F 39/02;
D06F 39/022; D06F 39/028; D06F 39/04;
D06F 45/22; D06F 58/02; D06F 58/04;
D06F 58/20; D06F 58/30; D06F 89/00
See application file for complete search history.

(56) **References Cited**
U.S. PATENT DOCUMENTS
D700,411 S * 2/2014 Ha D32/29
D713,105 S * 9/2014 Reger D32/25
D713,106 S * 9/2014 Reger D32/29
D720,901 S * 1/2015 Bangle D32/29

D773,763 S * 12/2016 Hwang D32/29
D852,441 S * 6/2019 Bauman D32/26
D854,766 S * 7/2019 Choi D32/26
D876,737 S * 2/2020 Bauman D32/26
D889,059 S * 6/2020 Ha D32/29
D897,618 S * 9/2020 Ha D32/29
2005/0022565 A1* 2/2005 Jung D06F 37/06
68/24
2008/0265074 A1* 10/2008 Melo B02C 17/22
241/299
2009/0071202 A1* 3/2009 Lee D06F 37/06
68/212
2009/0211313 A1* 8/2009 Exler D06F 37/04
68/142
2010/0287996 A1* 11/2010 Geyer D06F 58/02
68/139
2010/0326142 A1* 12/2010 Geyer D06F 37/06
68/139

(Continued)

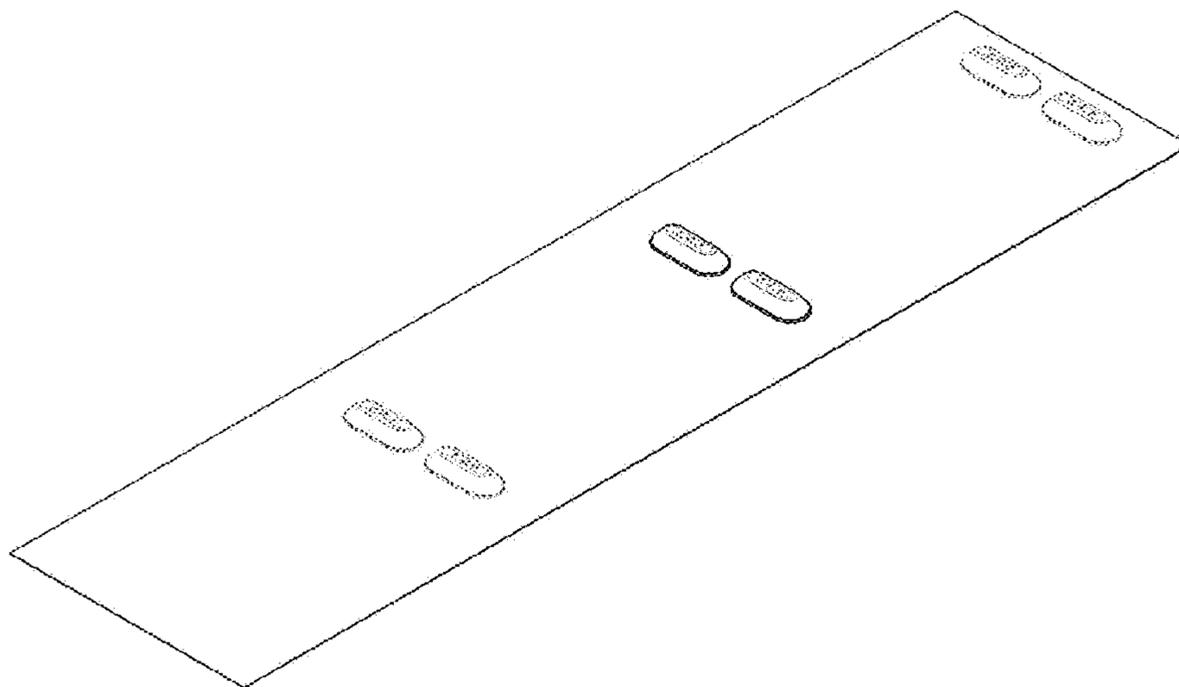
Primary Examiner — Khawaja Anwar
(74) *Attorney, Agent, or Firm* — Birch, Stewart, Kolasch & Birch LLP

(57) **CLAIM**
The ornamental design for a washing machine drum lifter, as shown and described.

DESCRIPTION

1. Washing machine drum lifter
1.1 : Perspective
1.2 : Front
1.3 : Back
1.4 : Left
1.5 : Right
1.6 : Top
1.7 : Bottom
1.8 : Reference
The broken lines indicate portions of the article that form no part of the claimed design; the dot-dashed lines in 1.8 represent boundary lines of drum so that the washing machine drum lifter inside drum can be seen and form no part of the claimed design.

1 Claim, 8 Drawing Sheets



(56)

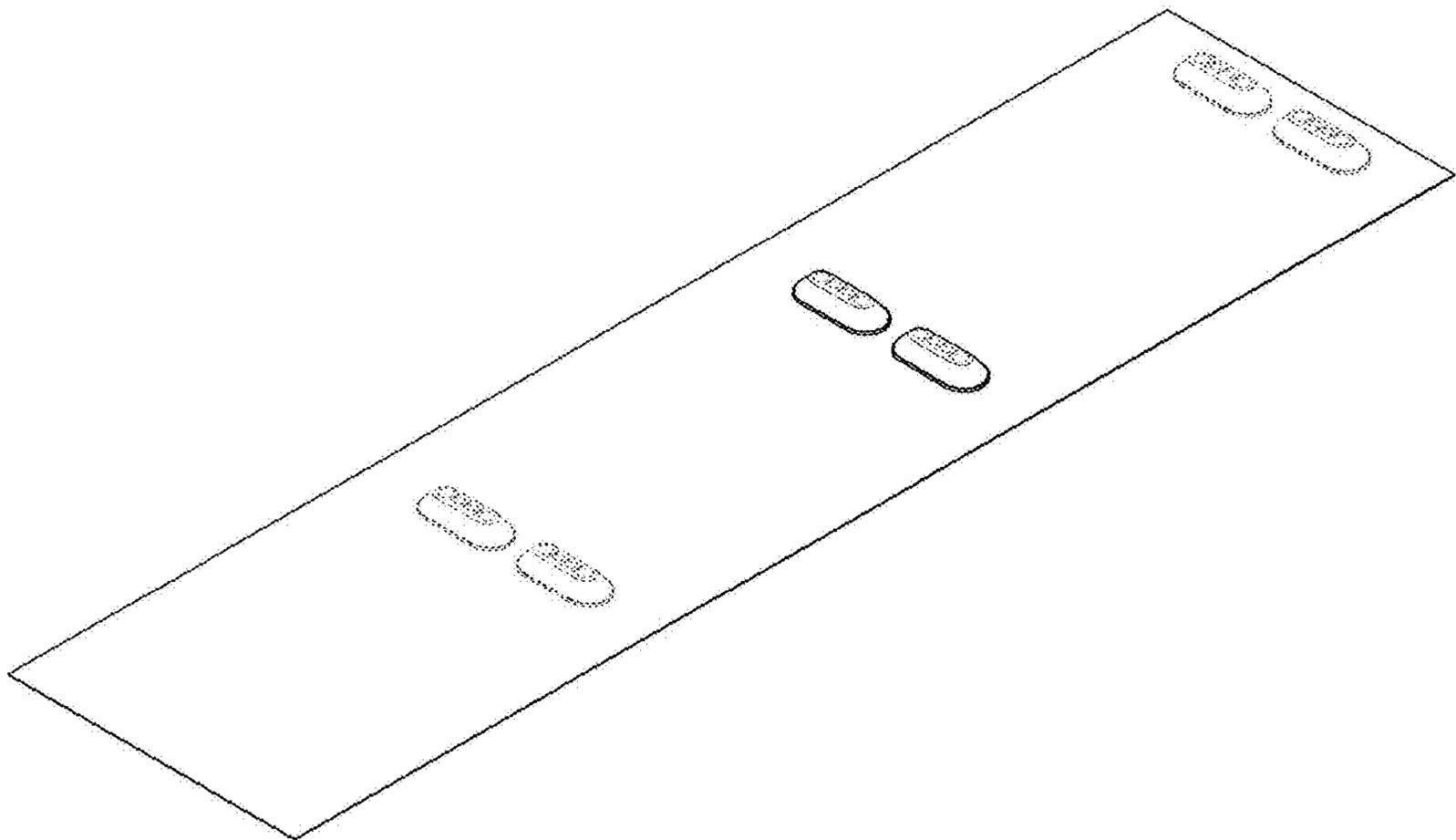
References Cited

U.S. PATENT DOCUMENTS

2011/0258872 A1* 10/2011 Kim F26B 11/022
34/85
2014/0001934 A1* 1/2014 Batur D06F 39/12
312/228

* cited by examiner

1.1



1.2



1.3



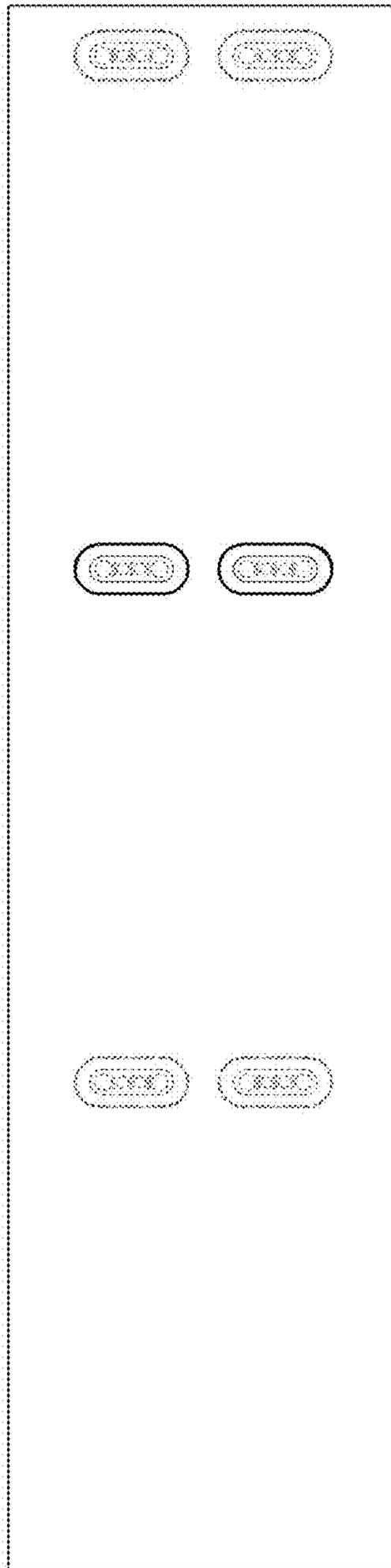
1.4



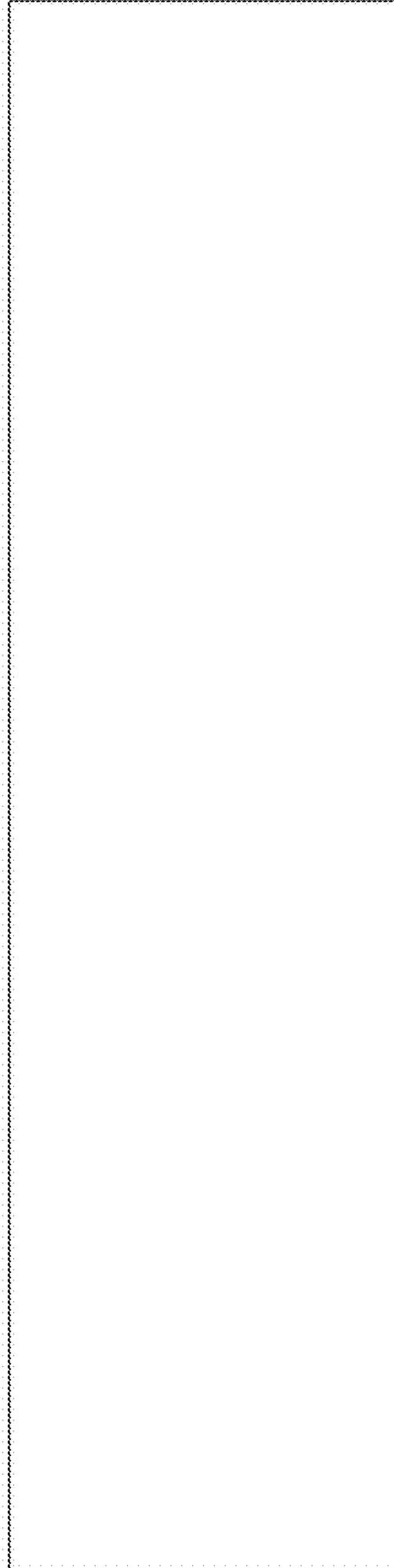
1.5



1.6



1.7



1.8

