



US00D917119S

(12) **United States Design Patent** (10) **Patent No.:** **US D917,119 S**
Jeon et al. (45) **Date of Patent:** **** Apr. 20, 2021**

(54) **TOP PLATE FOR CLOTHES DRYER**

D06F 37/02; D06F 37/225; D06F 37/263;
D06F 37/266; D06F 37/268; D06F 37/40;
D06F 37/42;

(71) Applicant: **LG ELECTRONICS INC.**, Seoul
(KR)

(Continued)

(72) Inventors: **Hoil Jeon**, Seoul (KR); **Junghwan Lee**,
Seoul (KR); **Nerry Son**, Seoul (KR)

(56)

References Cited

U.S. PATENT DOCUMENTS

(73) Assignee: **LG Electronics Inc.**, Seoul (KR)

D788,386 S * 5/2017 Kang D32/25
D789,628 S * 6/2017 Kang D32/25

(**) Term: **15 Years**

(Continued)

(21) Appl. No.: **35/508,848**

Primary Examiner — Khawaja Anwar

(22) Filed: **Sep. 20, 2019**

(74) *Attorney, Agent, or Firm* — Birch, Stewart, Kolasch
& Birch, LLP

(80) **Hague Agreement Data**

Int. Filing Date: **Sep. 20, 2019**
Int. Reg. No.: **DM/204582**
Int. Reg. Date: **Sep. 20, 2019**
Int. Reg. Pub. Date: **Mar. 20, 2020**

(57)

CLAIM

The ornamental design for a top plate for clothes dryer, as
shown and described.

(51) **LOC (13) Cl.** **15-05**

DESCRIPTION

(52) **U.S. Cl.**

USPC **D32/25**

(58) **Field of Classification Search**

USPC D32/2, 6-13, 55, 56, 58, 25-31; D6/410,
D6/411, 462, 546, 548, 553, 567, 574,
D6/566; D23/271, 273, 284, 286, 308
CPC D06F 33/02; D06F 39/14; D06F 37/304;
D06F 39/005; D06F 39/12; D06F 37/04;
D06F 39/02; D06F 29/00; D06F 37/203;
D06F 37/28; D06F 37/30; D06F 58/02;
D06F 2204/065; D06F 2222/00; D06F
29/005; D06F 29/02; D06F 31/00; D06F
33/00; D06F 37/10; D06F 37/12; D06F
37/36; D06F 58/206; D06F 58/22; D06F
58/24; D06F 17/08; D06F 1/04; D06F
2058/2803; D06F 2202/00; D06F
2202/02; D06F 2202/065; D06F 2202/12;
D06F 2204/02; D06F 2204/086; D06F
2224/00; D06F 2232/00; D06F 2232/08;
D06F 23/04; D06F 35/00; D06F 35/005;
D06F 35/006; D06F 35/007; D06F 37/00;

1. Top plate for clothes dryer

1.1 : Perspective

1.2 : Front

1.3 : Back

1.4 : Left

1.5 : Right

1.6 : Top

1.7 : Bottom

1.8 : Reference view showing a state of use

1.9 : Perspective

1.10 : Front

1.11 : Back

1.12 : Left

1.13 : Right

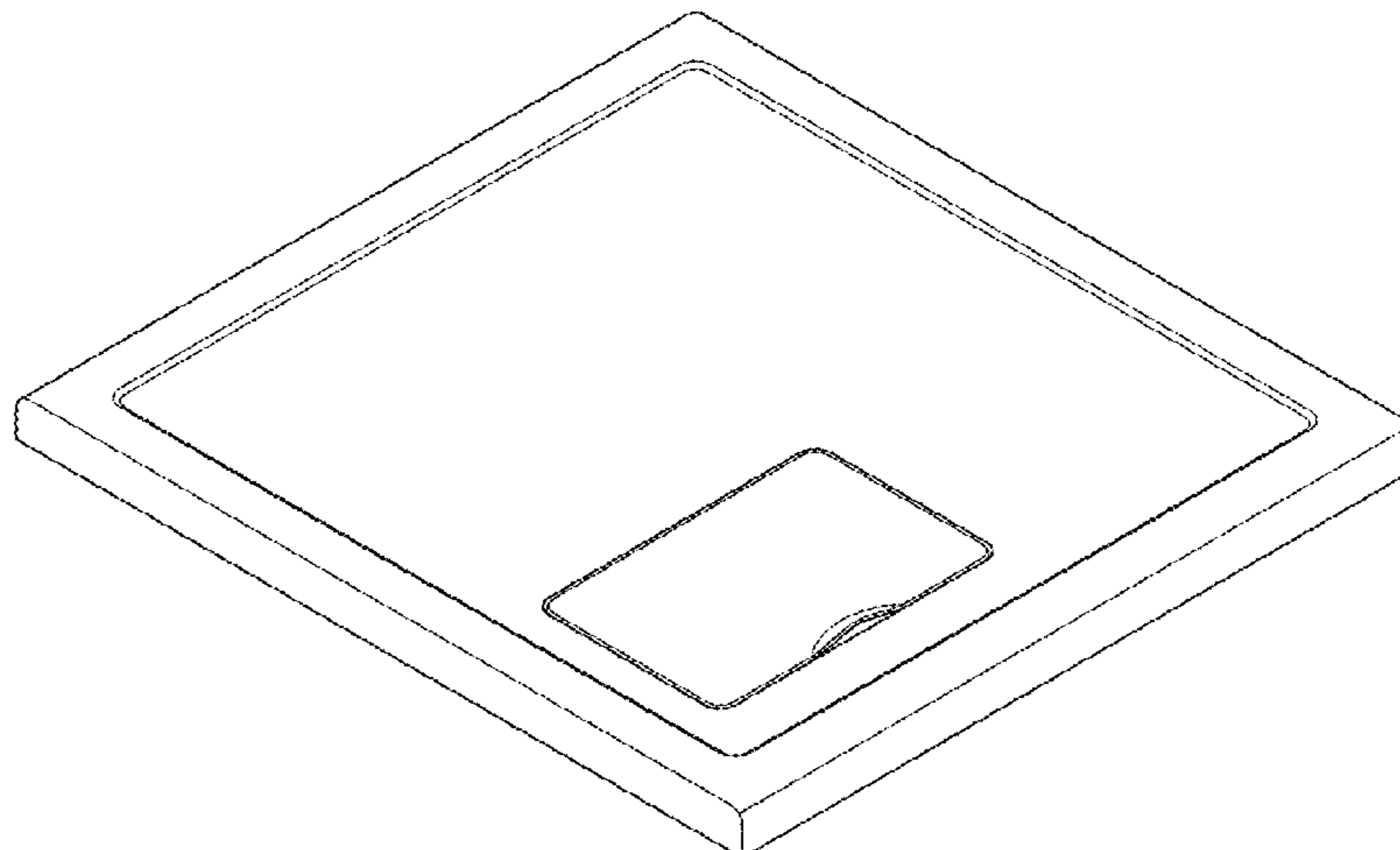
1.14 : Top

1.15 : Bottom

1.16 : Reference view showing a state of use

Reproductions 1.1 to 1.8 indicate a normal state of the
claimed design; reproductions 1.9 to 1.16 indicate a state of

(Continued)



its lid opened; broken lines illustrate environmental condition only and form no part of the claimed design.

1 Claim, 16 Drawing Sheets

(58) Field of Classification Search

CPC D06F 39/003; D06F 39/004; D06F 39/007;
D06F 39/08; D06F 39/088; D06F 39/125;
D06F 58/203; D06F 58/28; D06F 81/06
See application file for complete search history.

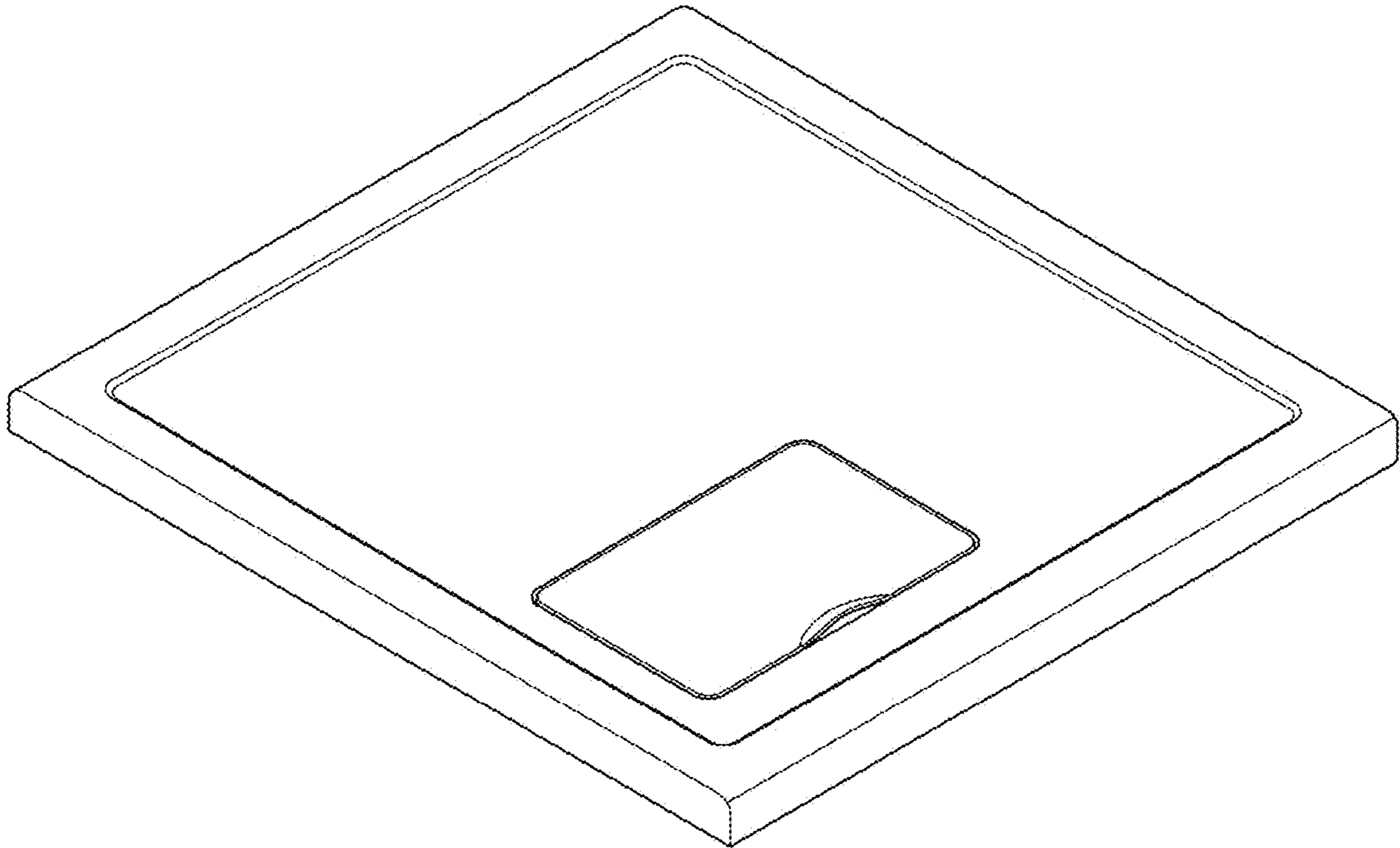
(56) References Cited

U.S. PATENT DOCUMENTS

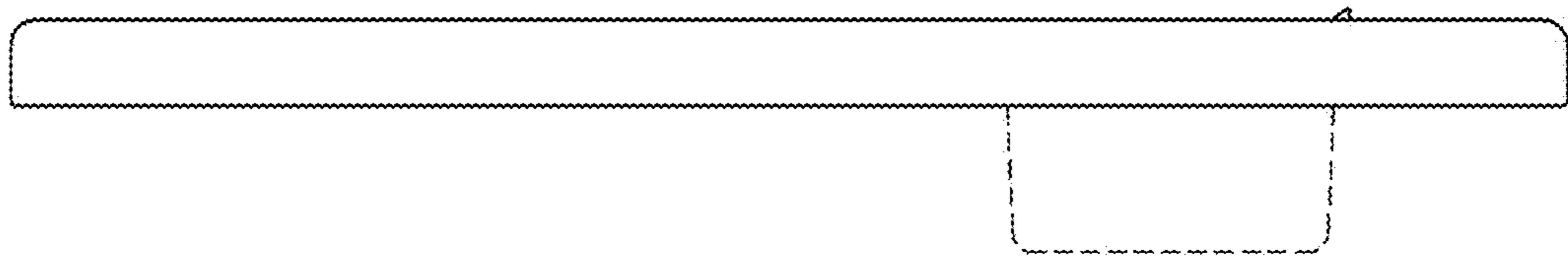
D804,118 S	*	11/2017	Kim	D32/25
D839,513 S	*	1/2019	Ayers	D32/25
D839,516 S	*	1/2019	Yoo	D32/25
D859,766 S	*	9/2019	Ayers	D32/25
D867,698 S	*	11/2019	Joo	D32/25
D869,799 S	*	12/2019	Ayers	D32/25
D894,507 S	*	8/2020	Kim	D32/25
D899,018 S	*	10/2020	Ayers	D32/25

* cited by examiner

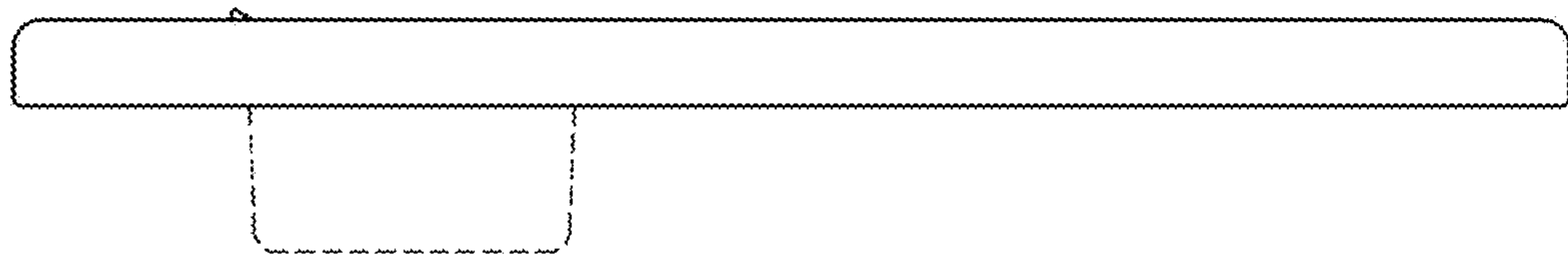
1.1



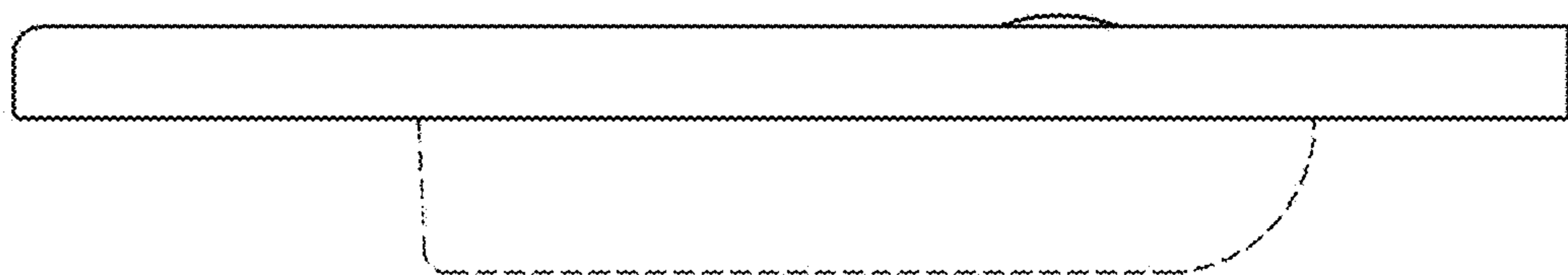
1.2



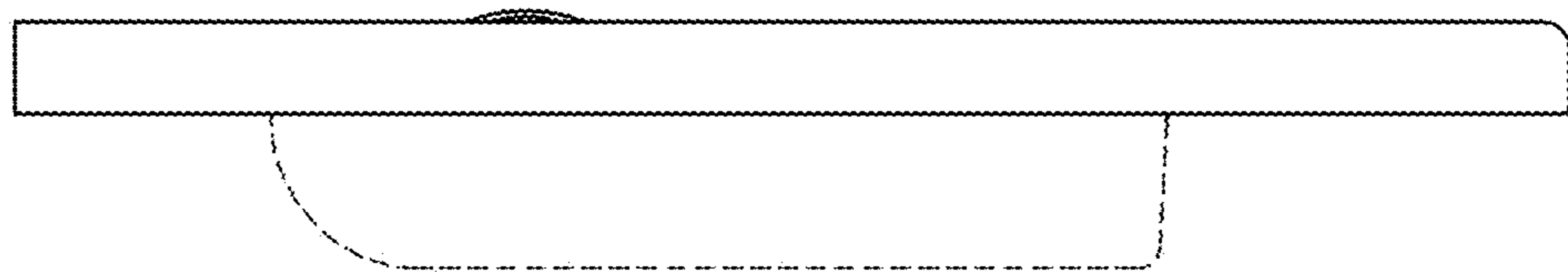
1.3



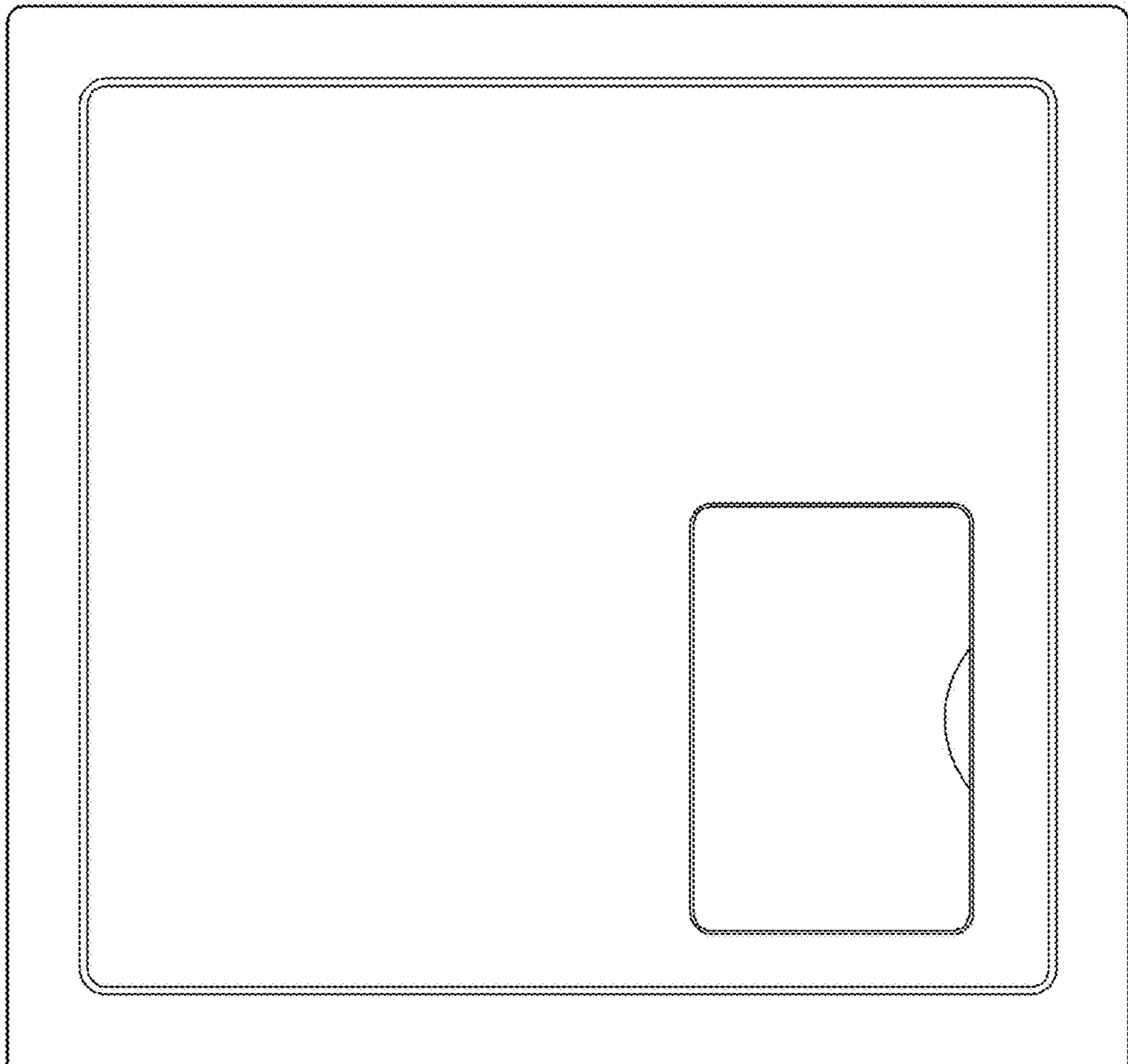
1.4



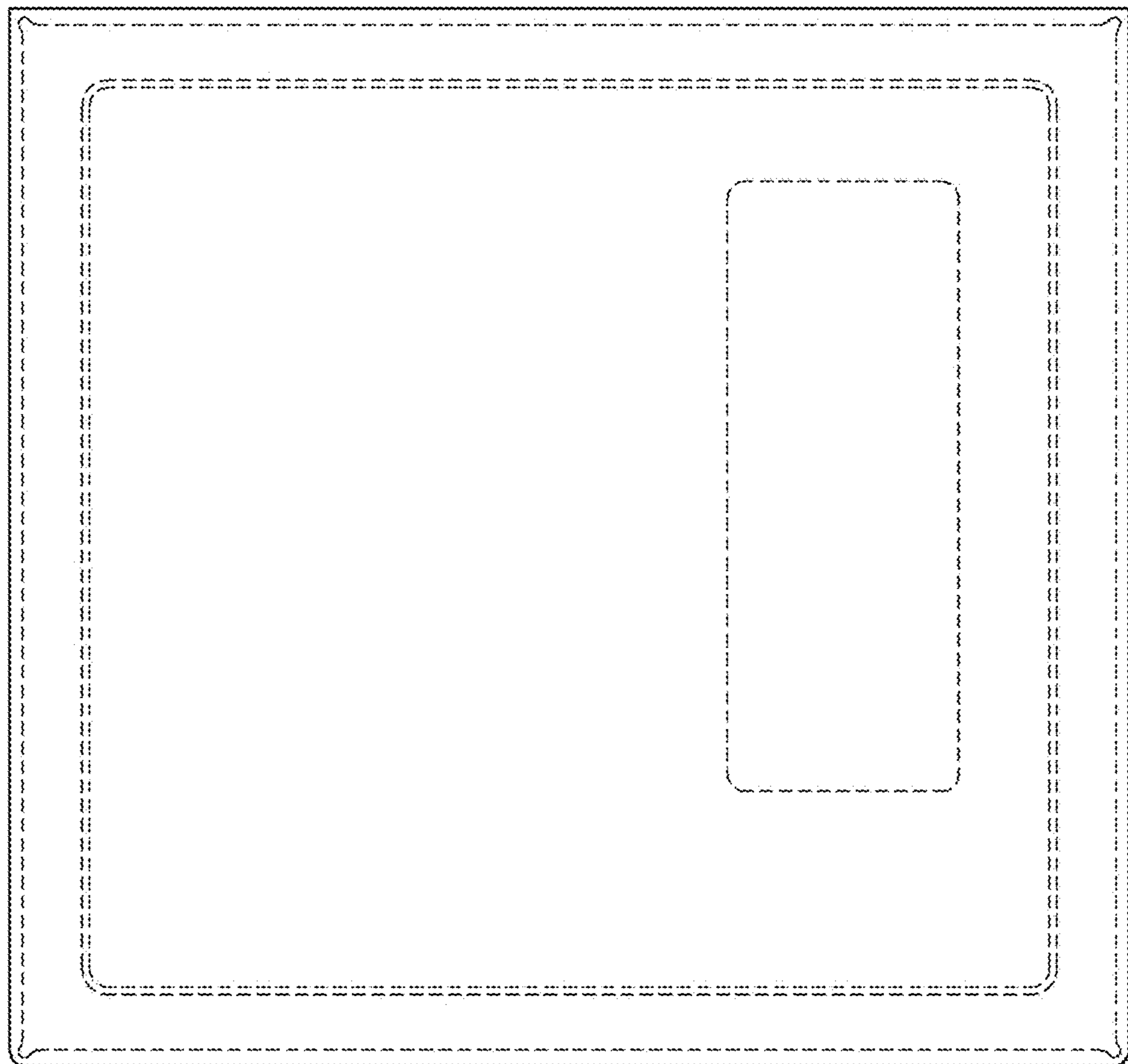
1.5



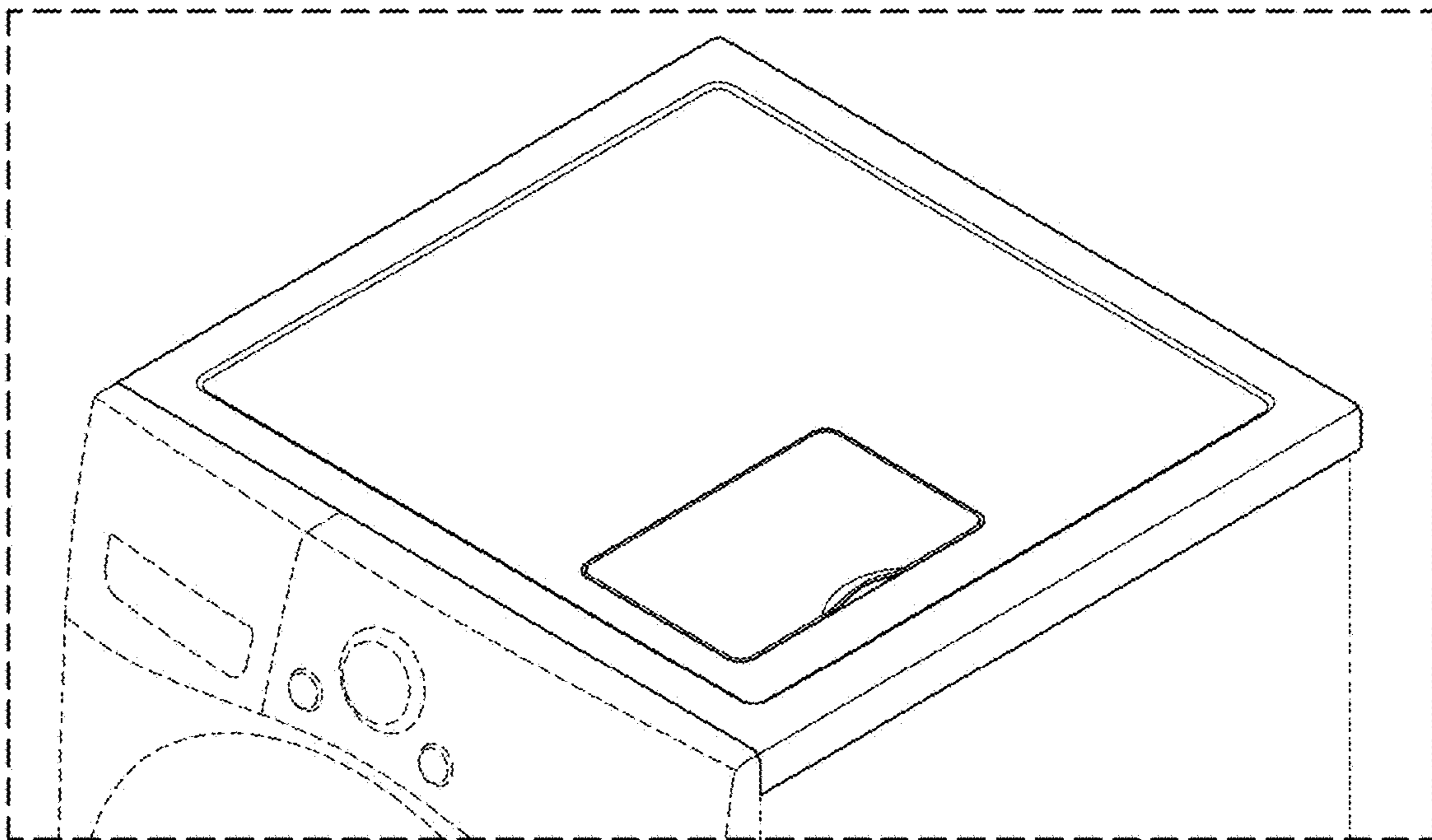
1.6



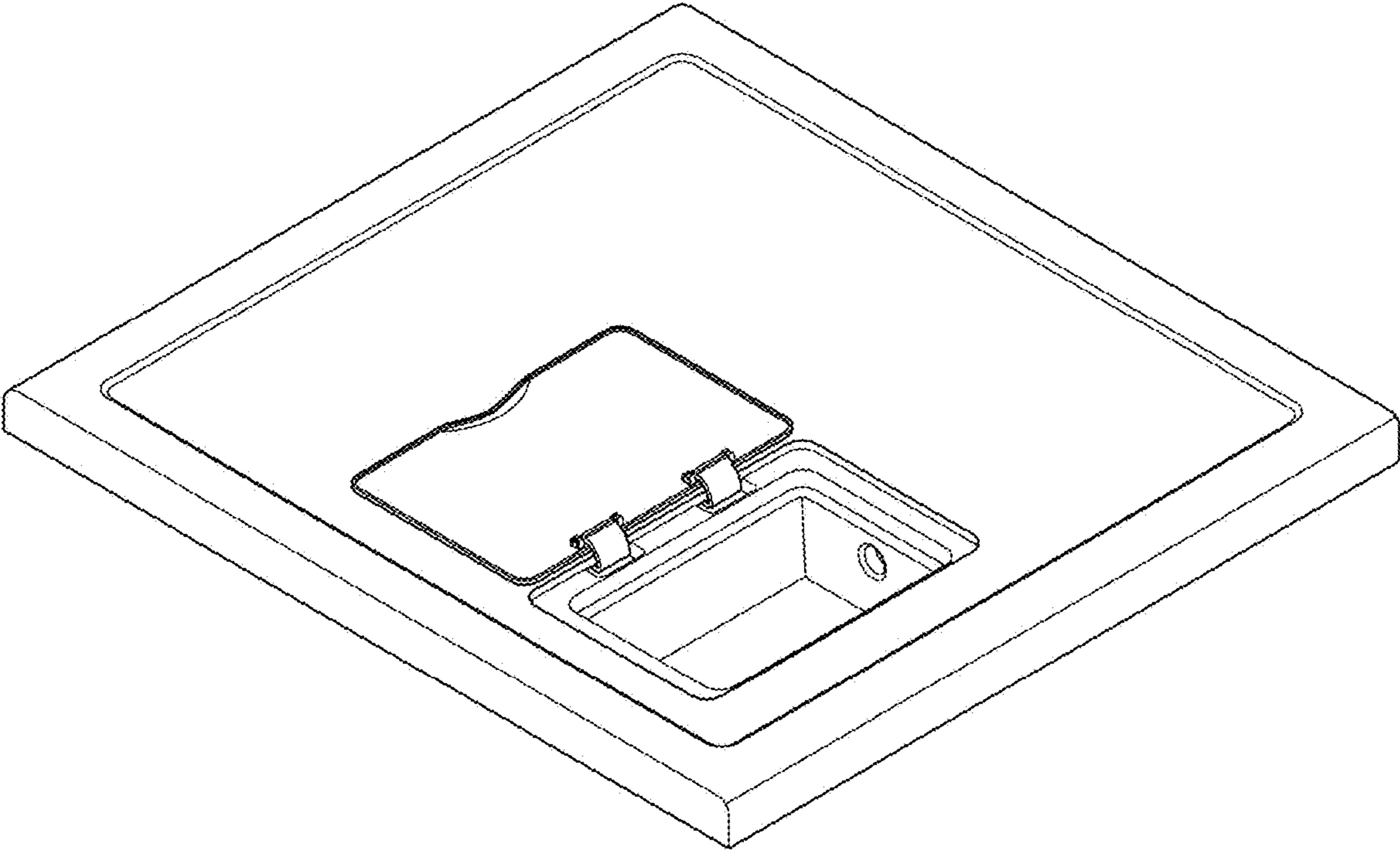
1.7



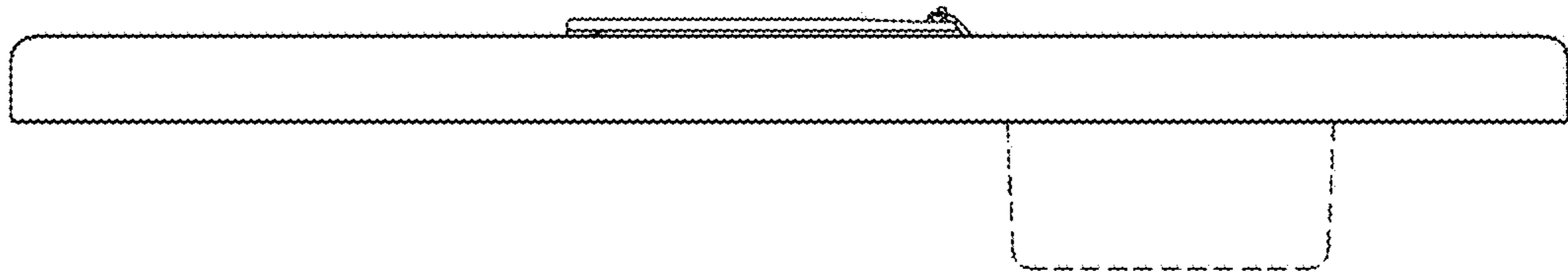
1.8



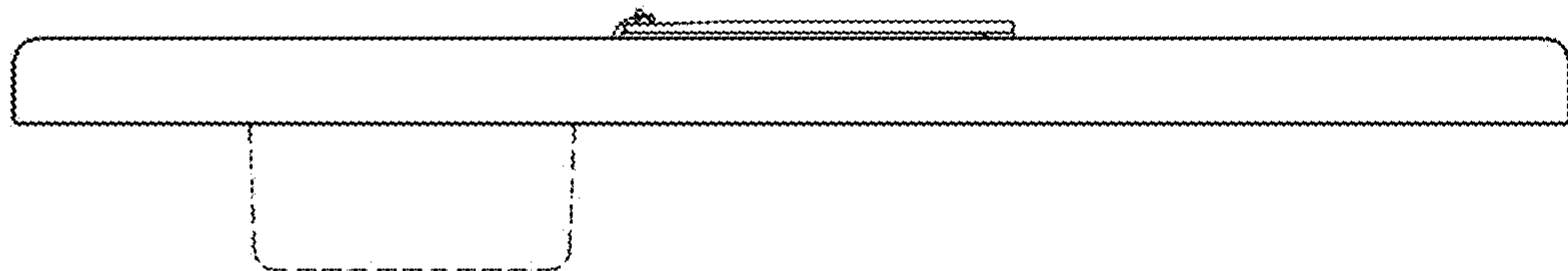
1.9



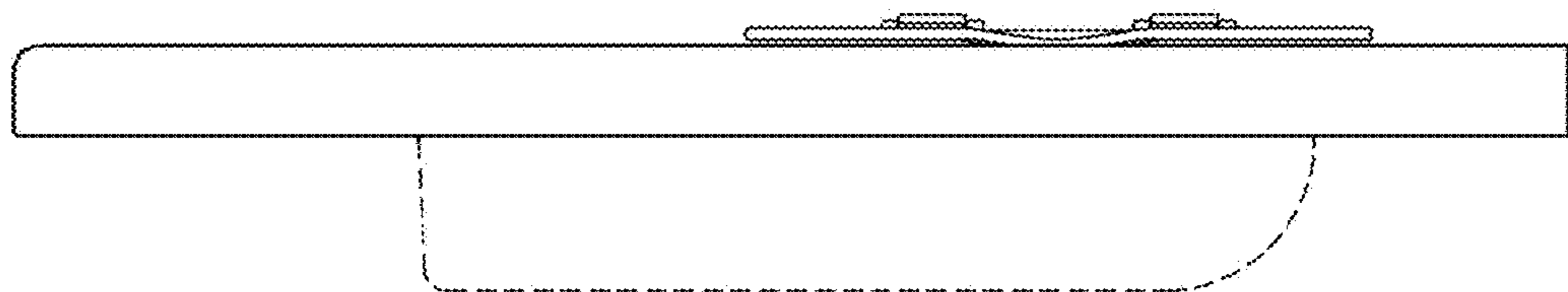
1.10



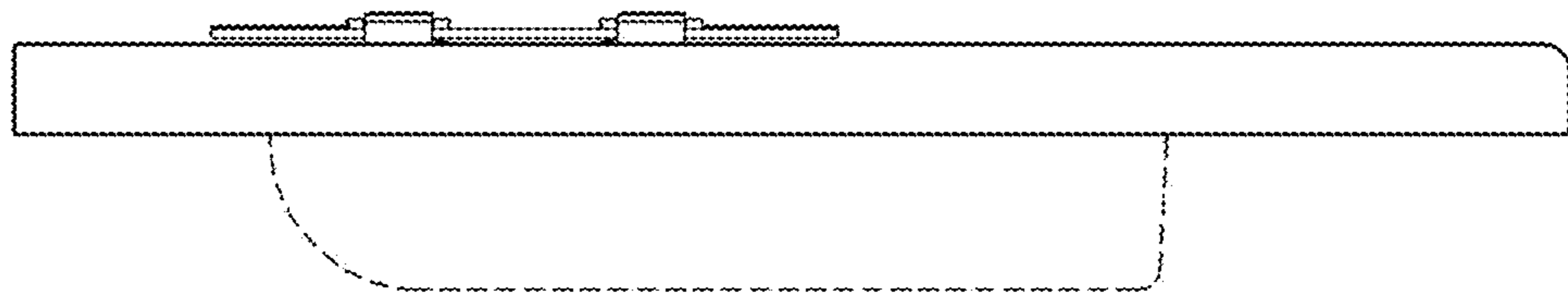
1.11



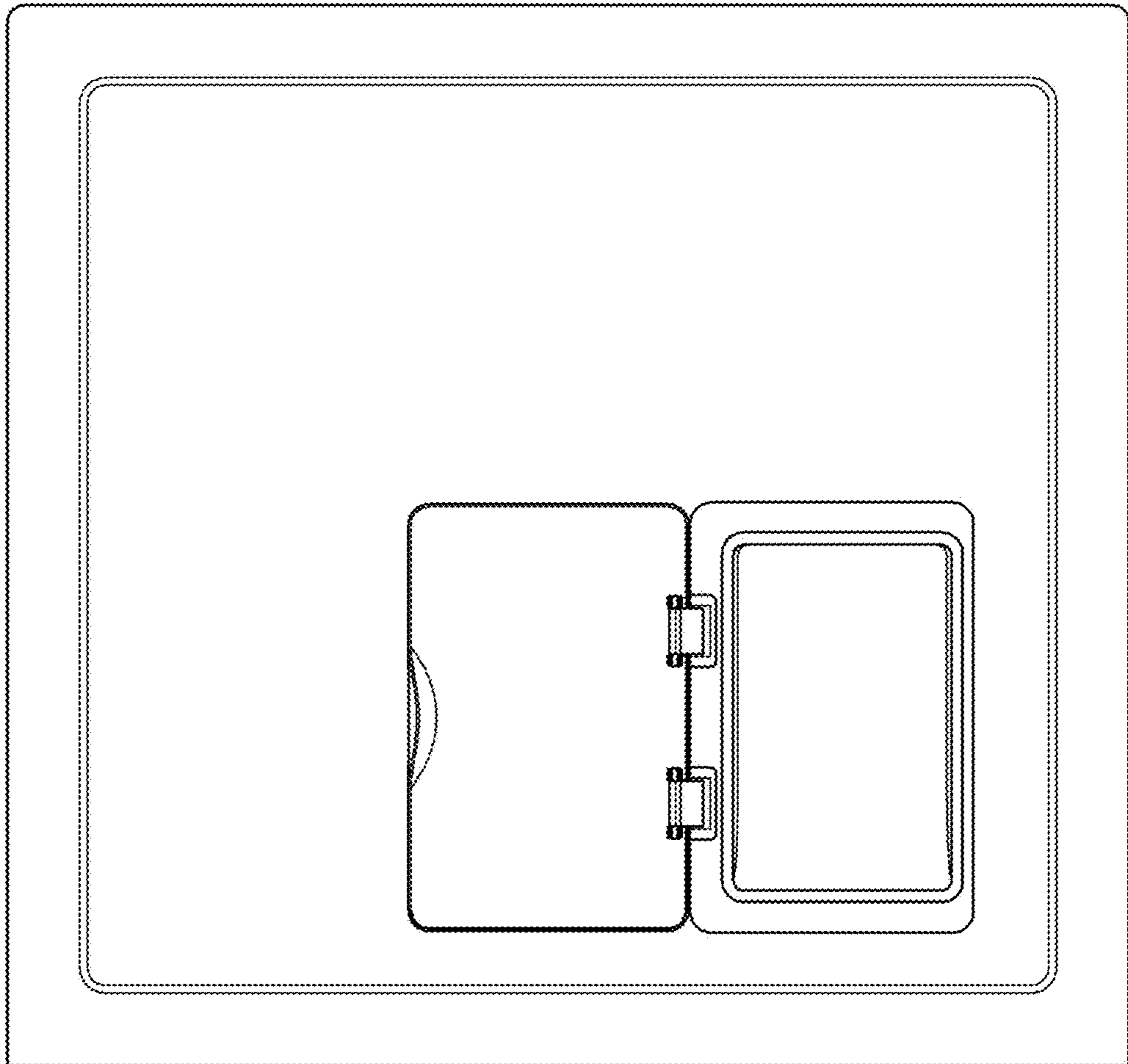
1.12



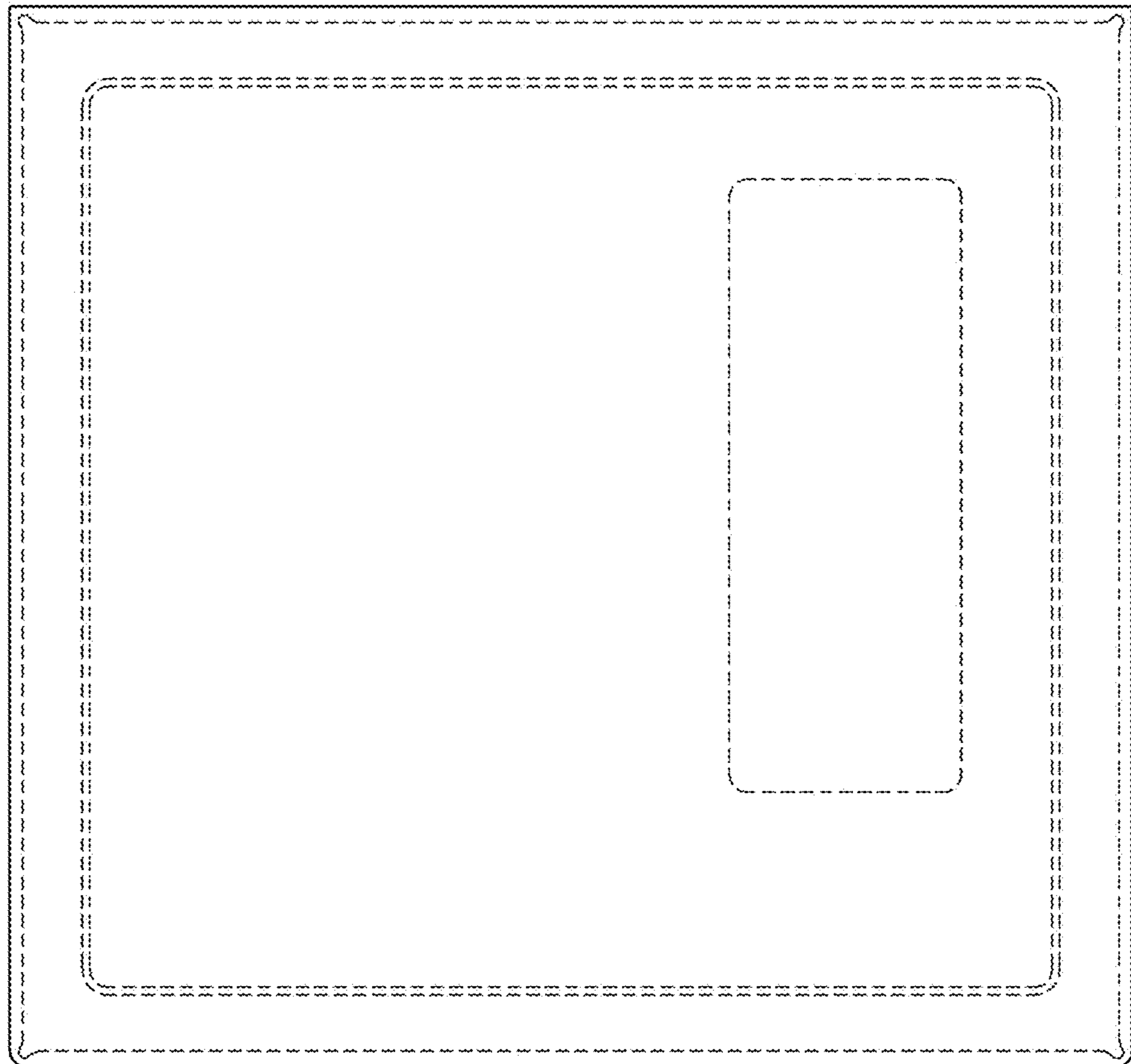
1.13



1.14



1.15



1.16

