



US00D917118S

(12) **United States Design Patent**
Ye

(10) **Patent No.:** **US D917,118 S**

(45) **Date of Patent:** **** Apr. 20, 2021**

(54) **PRESSURE WASHER SURFACE CLEANER**

(71) Applicant: **TAIZHOU LVYINWEI TRADE CO., LTD**, Taizhou (CN)

(72) Inventor: **Yining Ye**, Taizhou (CN)

(73) Assignee: **TAIZHOU LVYINWEI TRADE CO., LTD**, Taizhou (CN)

(**) Term: **15 Years**

(21) Appl. No.: **29/750,694**

(22) Filed: **Sep. 16, 2020**

(51) **LOC (13) Cl.** **15-05**

(52) **U.S. Cl.**
USPC **D32/25**

(58) **Field of Classification Search**
USPC D32/25; D23/213, 223–230;
D25/133–135; D9/435, 440, 447
CPC A46B 5/0033; A46B 11/063; A47L 11/16;
A47L 11/4005; A47L 11/162
See application file for complete search history.

(56) **References Cited**

U.S. PATENT DOCUMENTS

D331,499 S * 12/1992 Tsai D4/115
5,511,269 A * 4/1996 Watson A46B 5/0033
15/22.1
5,797,157 A * 8/1998 Gregg A47L 11/16
15/22.1

D451,288 S * 12/2001 Bean D4/121
D482,530 S * 11/2003 Evans D32/50
6,715,178 B2 * 4/2004 Graceffo A47L 11/162
15/145
D530,462 S * 10/2006 Davis D32/15
D532,946 S * 11/2006 Gansebom D32/25
D588,816 S * 3/2009 Hughes, IV D4/121
7,937,792 B2 * 5/2011 Munn A47L 11/4005
15/28
D644,799 S 9/2011 Bruneel
D817,569 S * 5/2018 Baker D32/25
D855,914 S * 8/2019 Baker D32/25
D870,404 S * 12/2019 Copp D32/25
2004/0265043 A1 * 12/2004 Palme A46B 11/063
401/289

* cited by examiner

Primary Examiner — Michelle E. Wilson

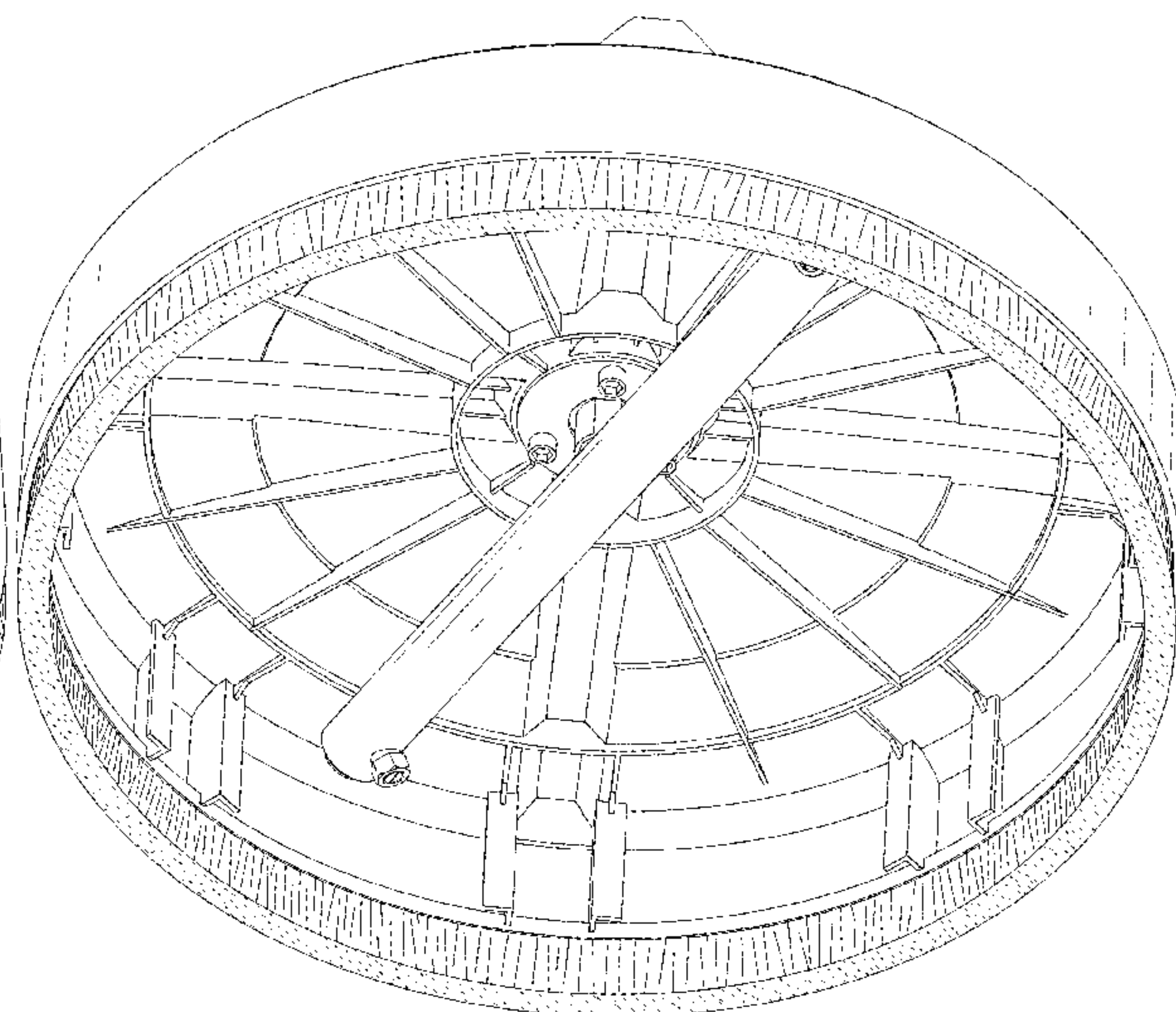
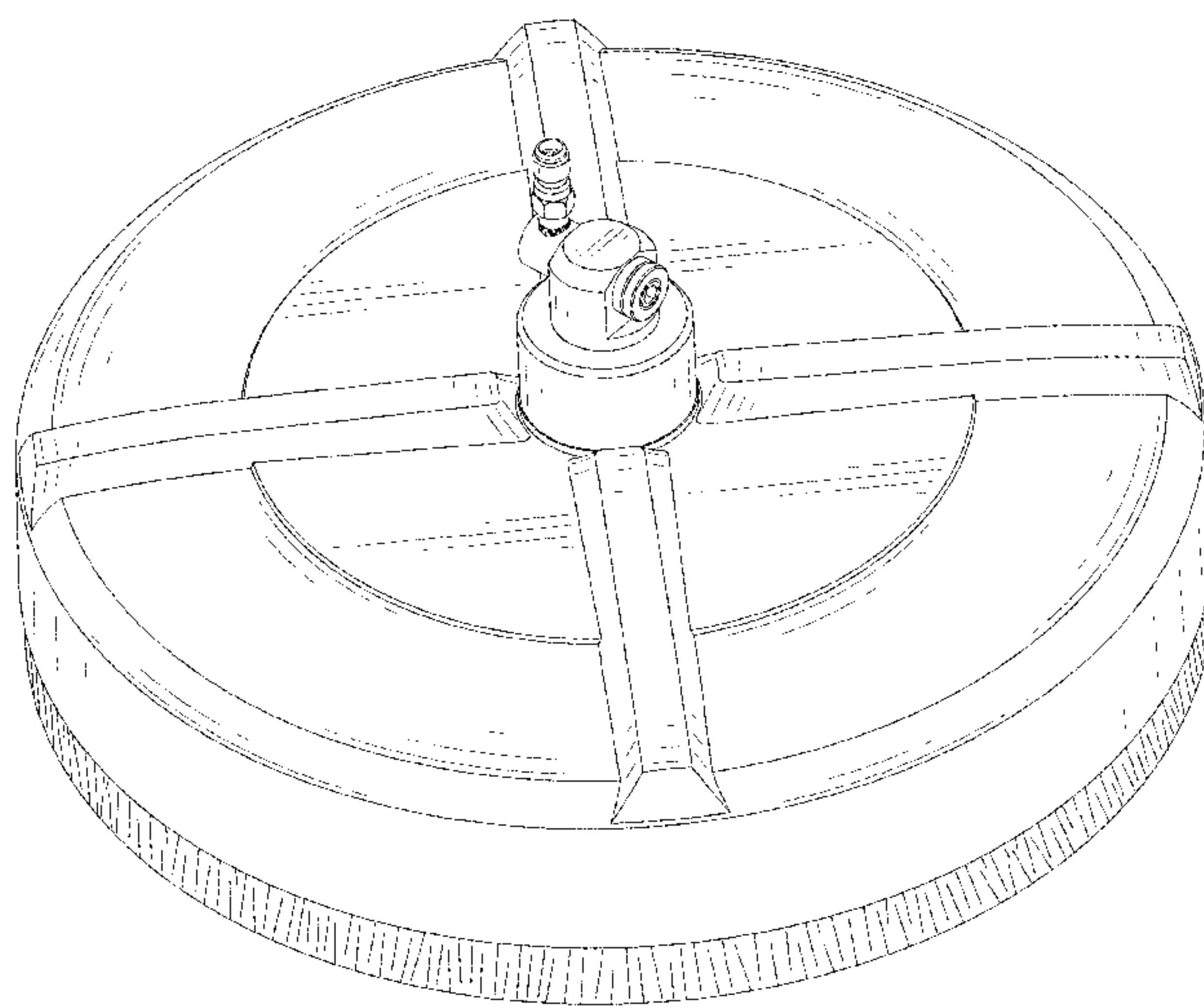
(57) **CLAIM**

The ornamental design for a pressure washer surface cleaner, as shown and described.

DESCRIPTION

FIG. 1 is a perspective view of a pressure washer surface cleaner showing my new design;
FIG. 2 is another perspective view thereof;
FIG. 3 is a front elevational view thereof;
FIG. 4 is a rear elevational view thereof;
FIG. 5 is a left side elevational view thereof;
FIG. 6 is a right side elevational view thereof;
FIG. 7 is a top plan view thereof; and,
FIG. 8 is a bottom plan view thereof.

1 Claim, 8 Drawing Sheets



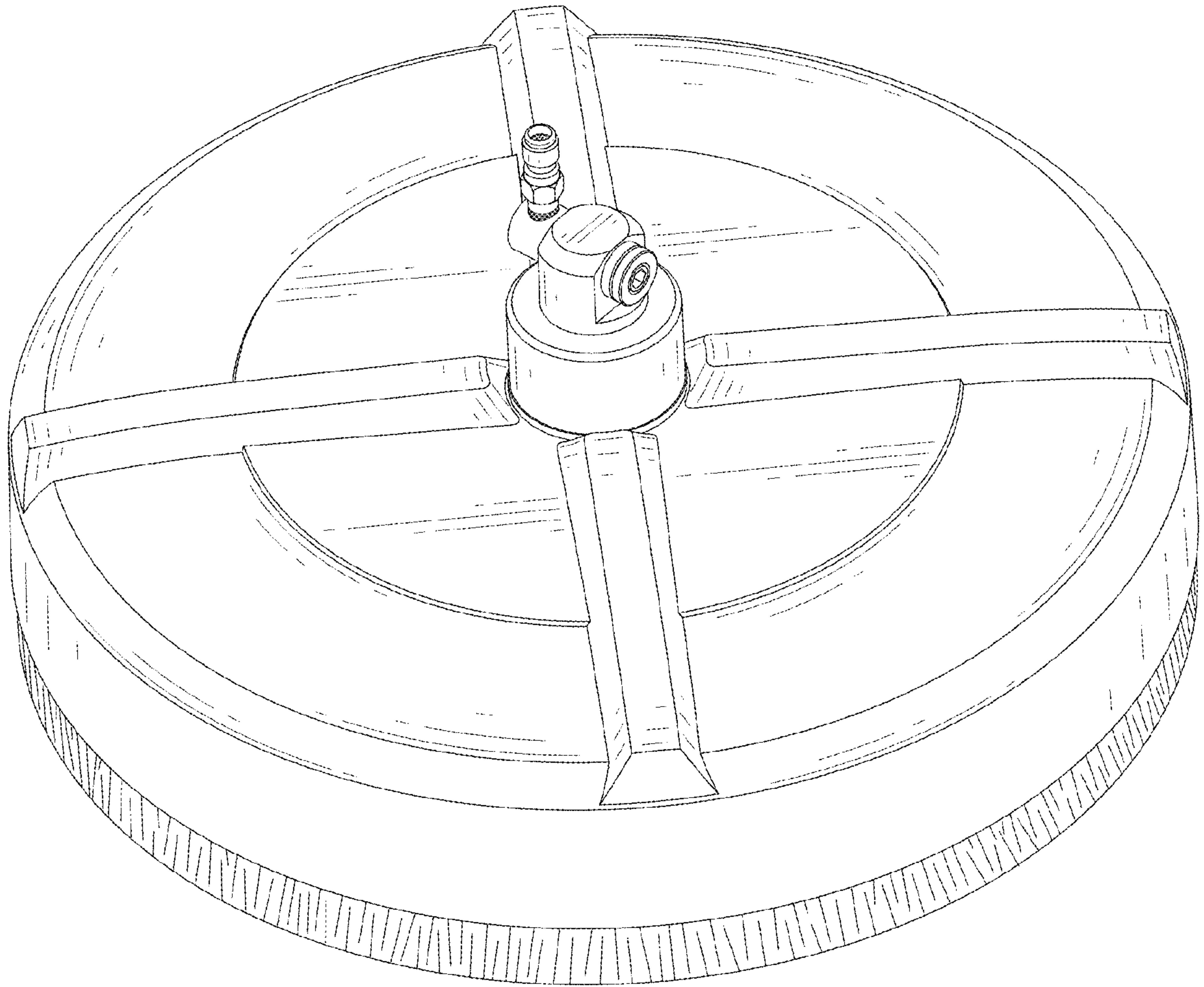


FIG. 1

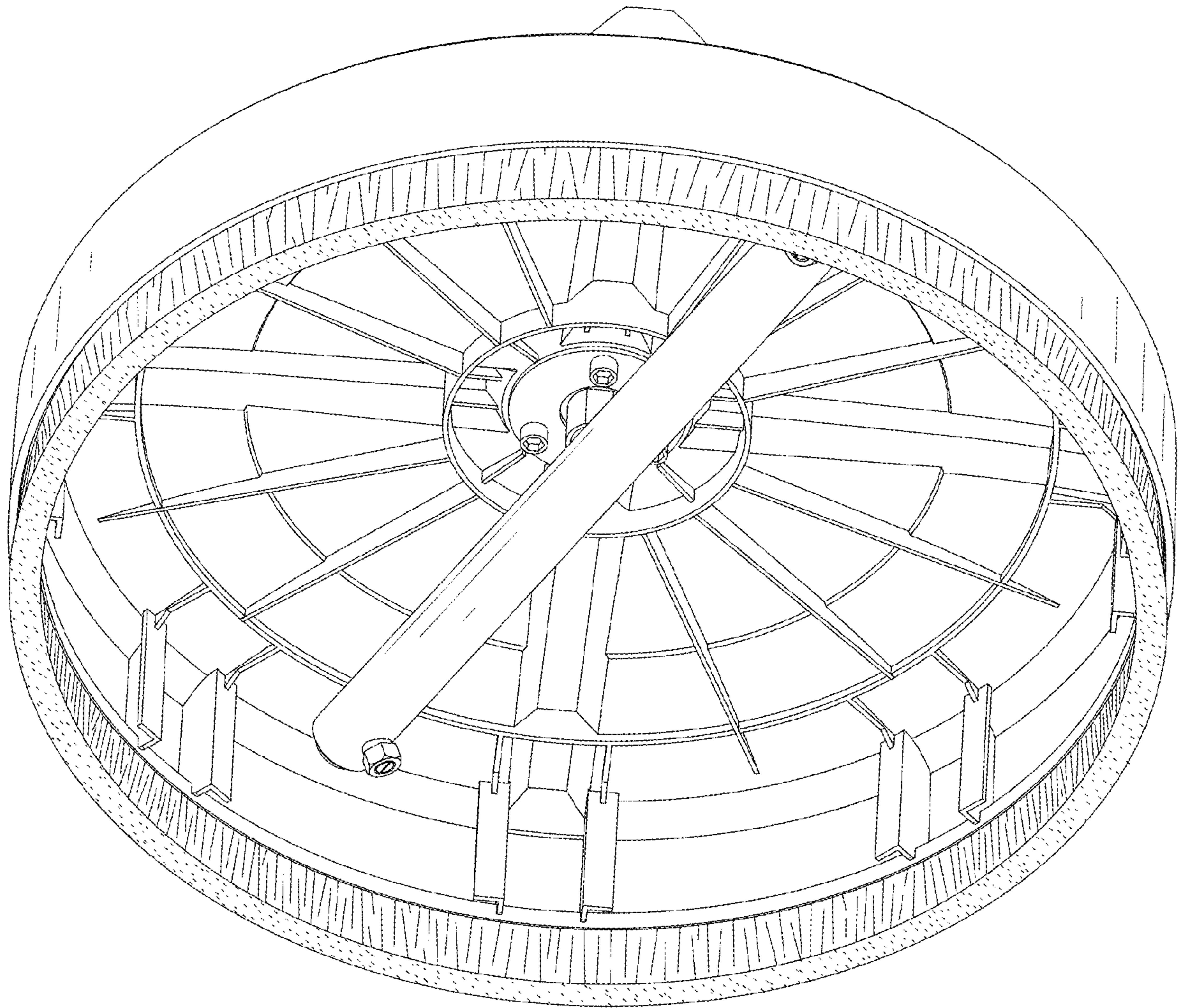


FIG. 2

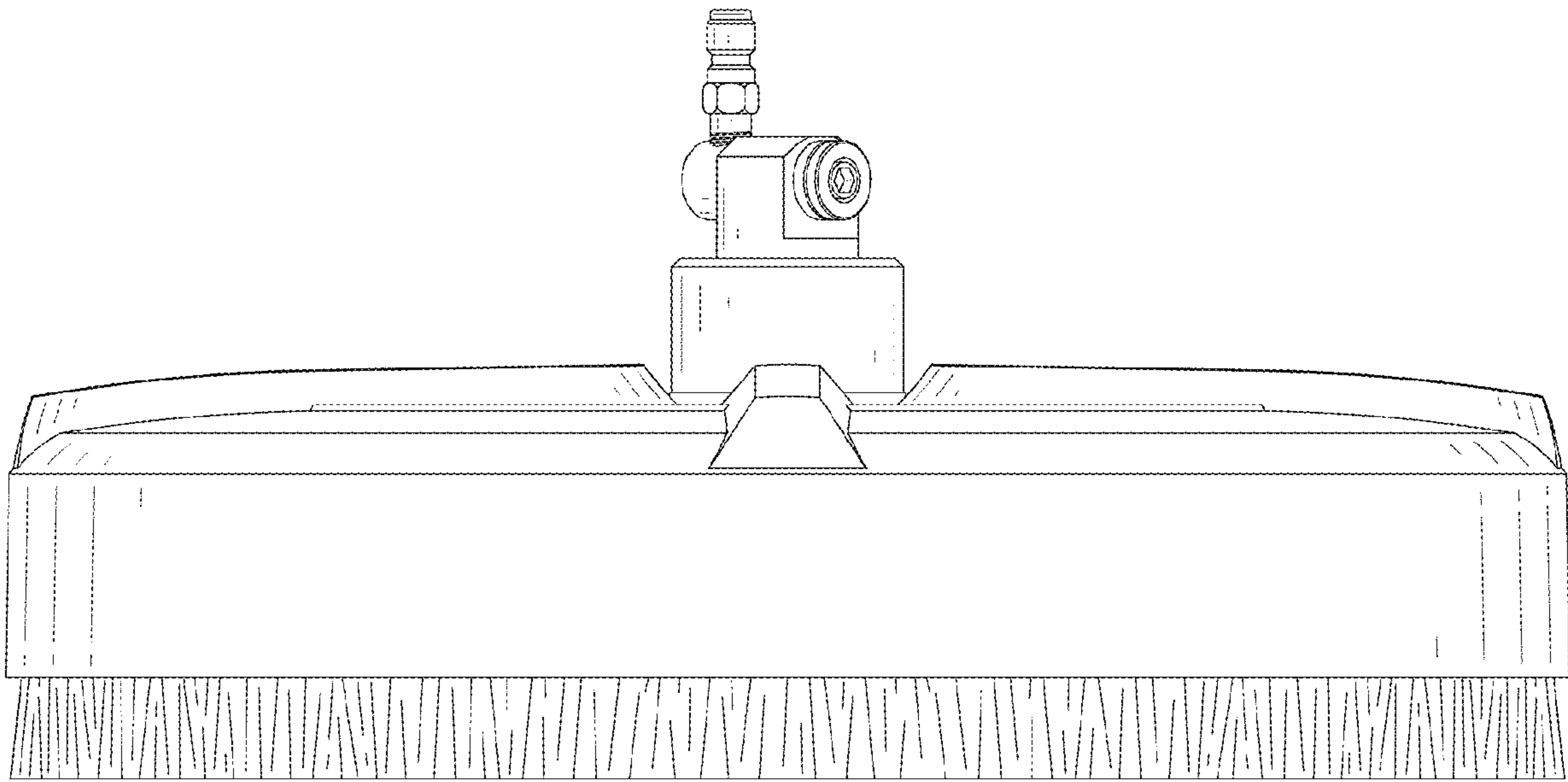


FIG. 3

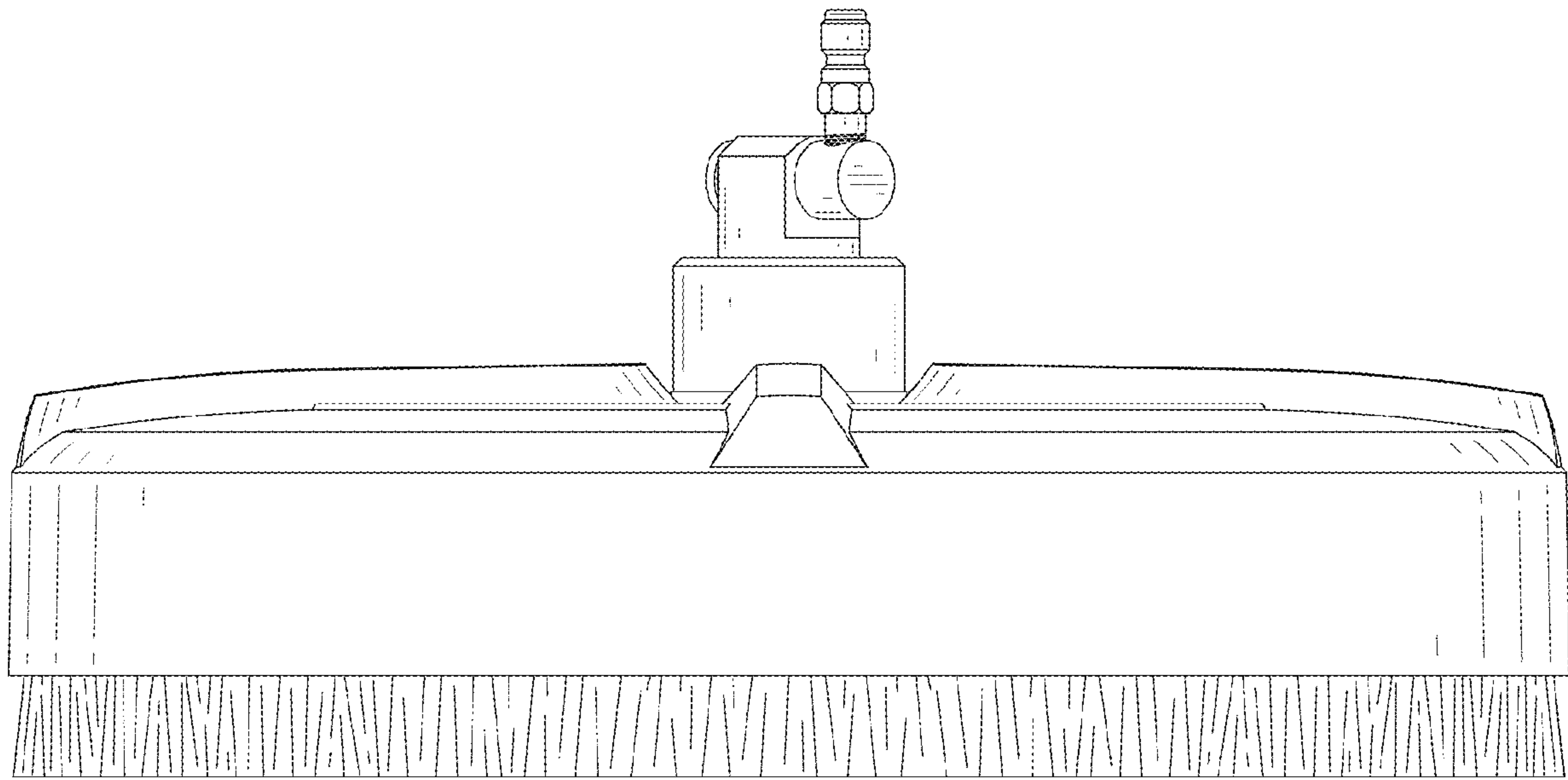


FIG. 4

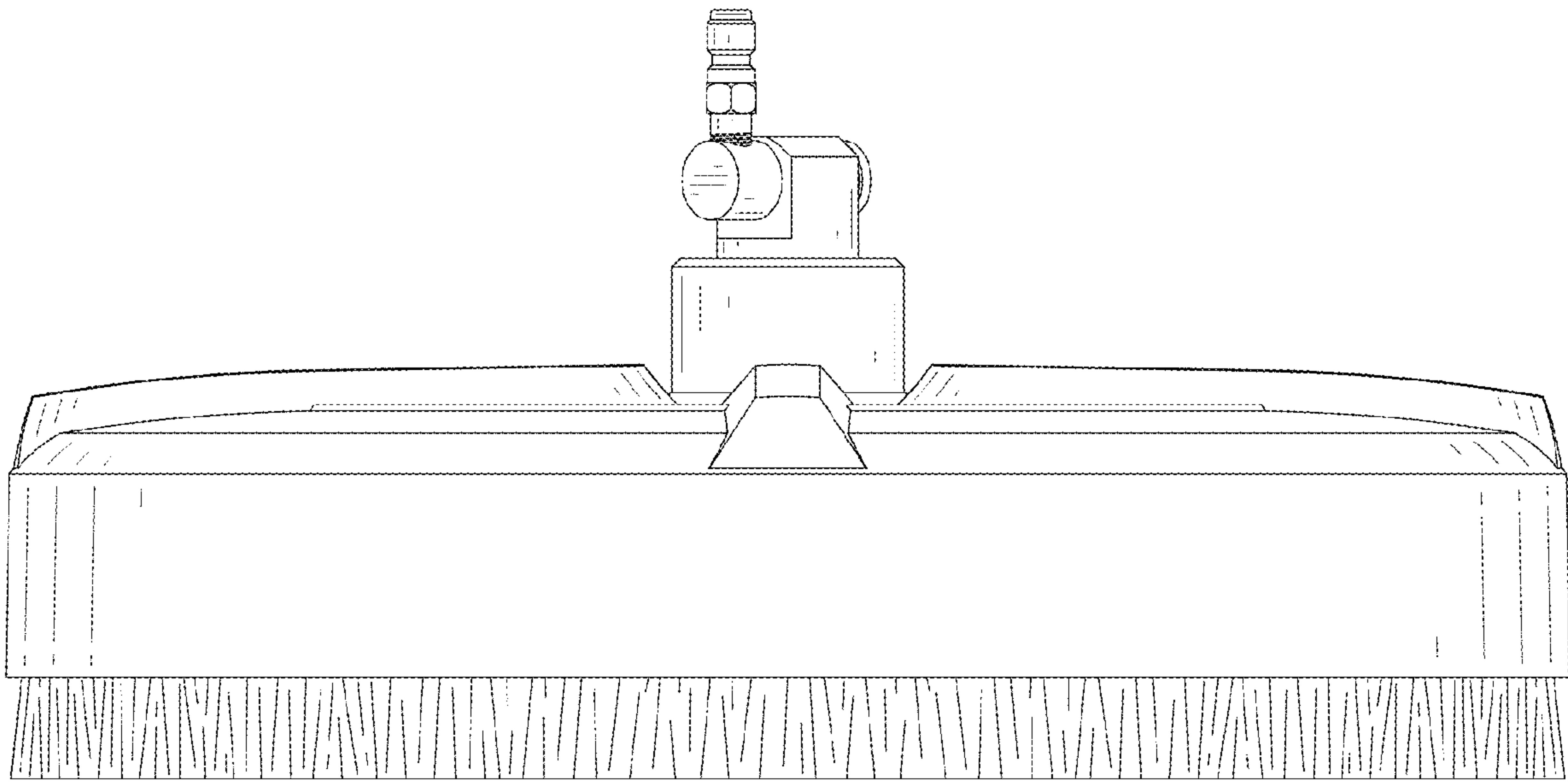


FIG. 5

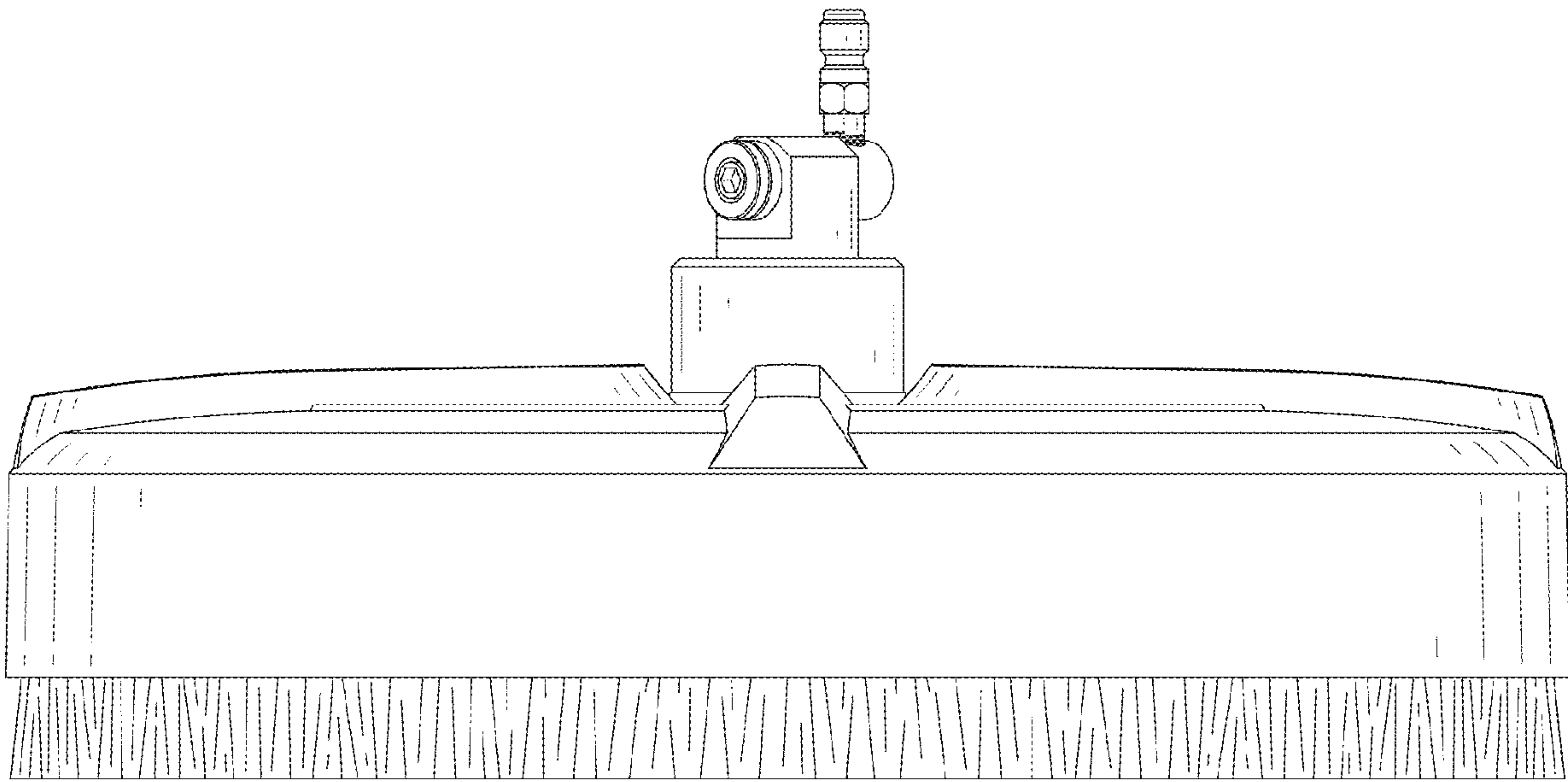


FIG. 6

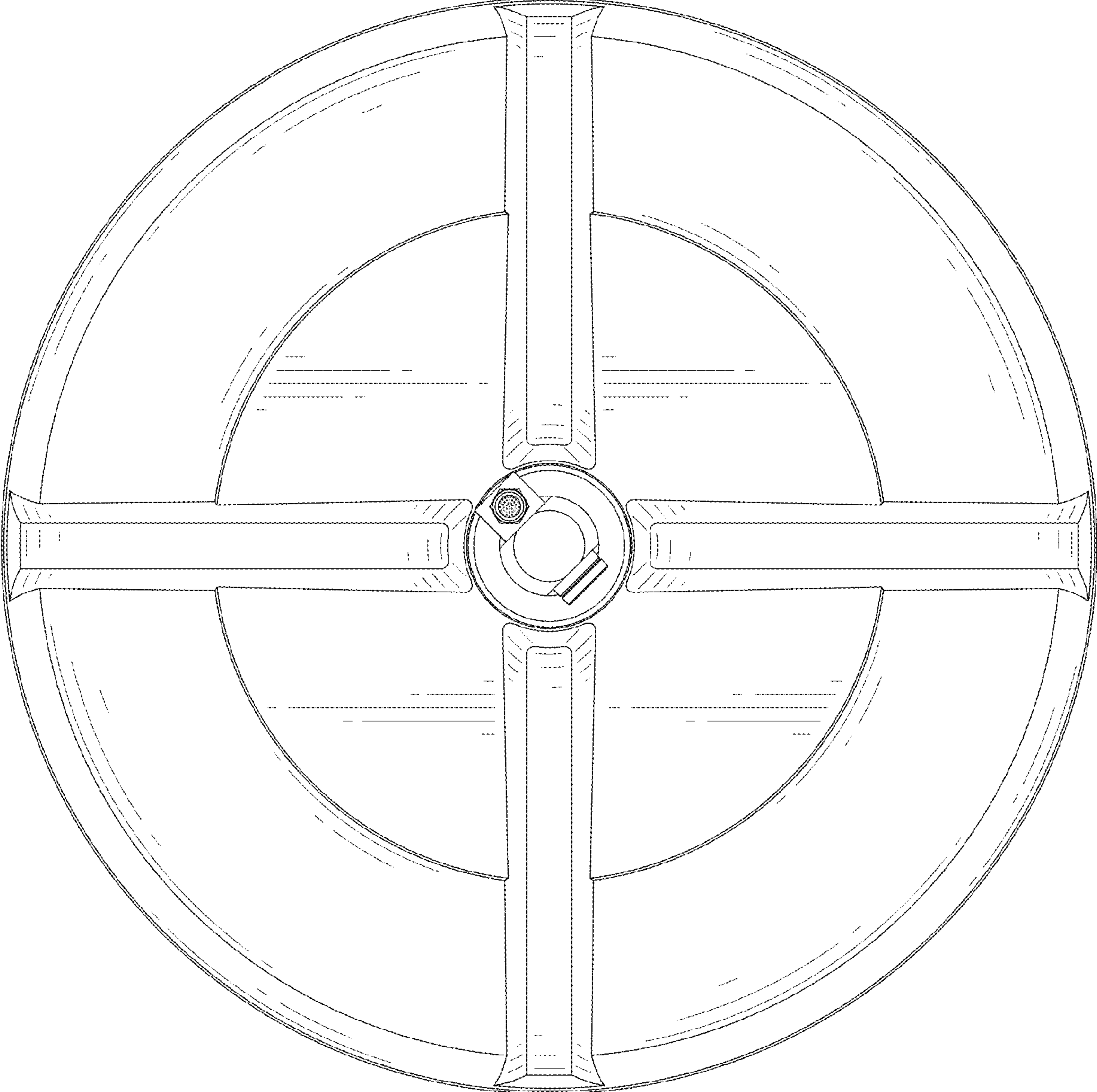


FIG. 7

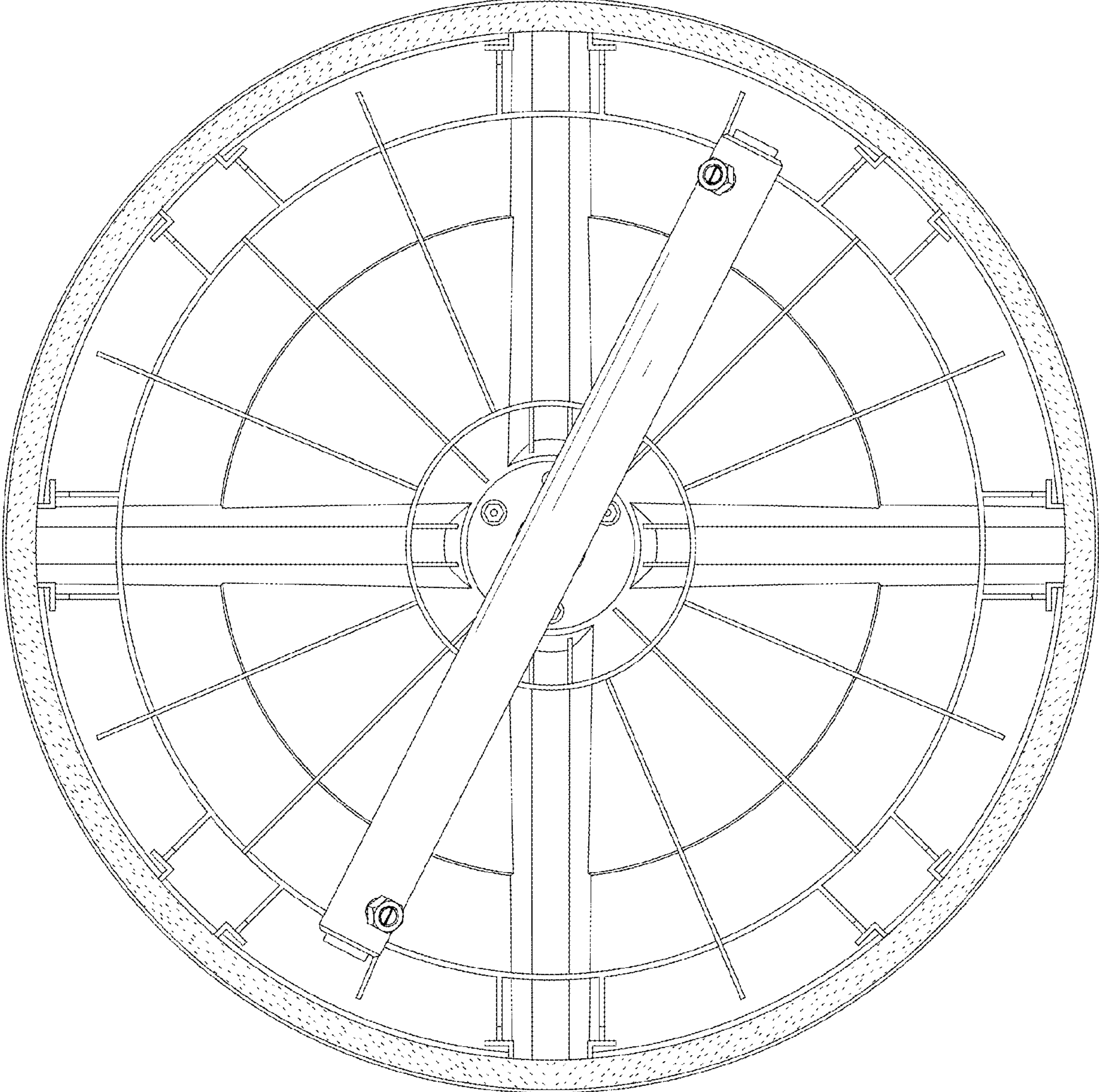


FIG. 8