



US00D917116S

(12) **United States Design Patent** (10) **Patent No.:** **US D917,116 S**  
**Yoon et al.** (45) **Date of Patent:** **\*\* Apr. 20, 2021**

(54) **CLOTHING CARE MACHINE**  
(71) Applicant: **Samsung Electronics Co., Ltd.**,  
Suwon-si (KR)  
(72) Inventors: **Hyunwoo Yoon**, Seongnam-si (KR);  
**Sanghun Yoon**, Seoul (KR); **Jinsook Park**,  
Uiwang-si (KR); **Sodam Park**, Seoul (KR);  
**Kangkyung Lee**, Seoul (KR)  
(73) Assignee: **Samsung Electronics Co., Ltd.**,  
Suwon-si (KR)  
(\*\*) Term: **15 Years**  
(21) Appl. No.: **29/680,408**  
(22) Filed: **Feb. 15, 2019**

*Primary Examiner* — Michelle E. Wilson  
(74) *Attorney, Agent, or Firm* — NSIP Law

(57) **CLAIM**

We claim the ornamental design for a clothing care machine,  
as shown and described.

**DESCRIPTION**

(30) **Foreign Application Priority Data**  
Aug. 16, 2018 (KR) ..... 30-2018-0038072  
(51) **LOC (13) Cl.** ..... **15-05**  
(52) **U.S. Cl.**  
USPC ..... **D32/6**  
(58) **Field of Classification Search**  
USPC ..... D32/1-3, 5-6, 10, 25  
(Continued)

FIG. 1 is a front perspective view of a clothing care machine showing our new design with the inner shelf portion fully folded;  
FIG. 2 is a front view thereof;  
FIG. 3 is a rear view thereof;  
FIG. 4 is a left-side view thereof;  
FIG. 5 is a right-side view thereof;  
FIG. 6 is a top view thereof;  
FIG. 7 is a bottom view thereof;  
FIG. 8 is a cross-sectional view thereof taken through line 8-8 of FIG. 2;  
FIG. 9 is a front perspective view thereof shown with the inner shelf portion deployed halfway;  
FIG. 10 is a front view thereof;  
FIG. 11 is a cross-sectional view thereof taken through line 11-11 of FIG. 10;  
FIG. 12 is a front perspective view thereof shown with the inner shelf portion fully deployed;  
FIG. 13 is a front view thereof;  
FIG. 14 is a cross-sectional view thereof taken through line 14-14 of FIG. 13;  
FIG. 15 is an exploded front view of the clothing care machine shown in FIG. 13; and,  
FIG. 16 is an enlarged front perspective view of the inner shelf portion shown separately from the article in which it is embodied.

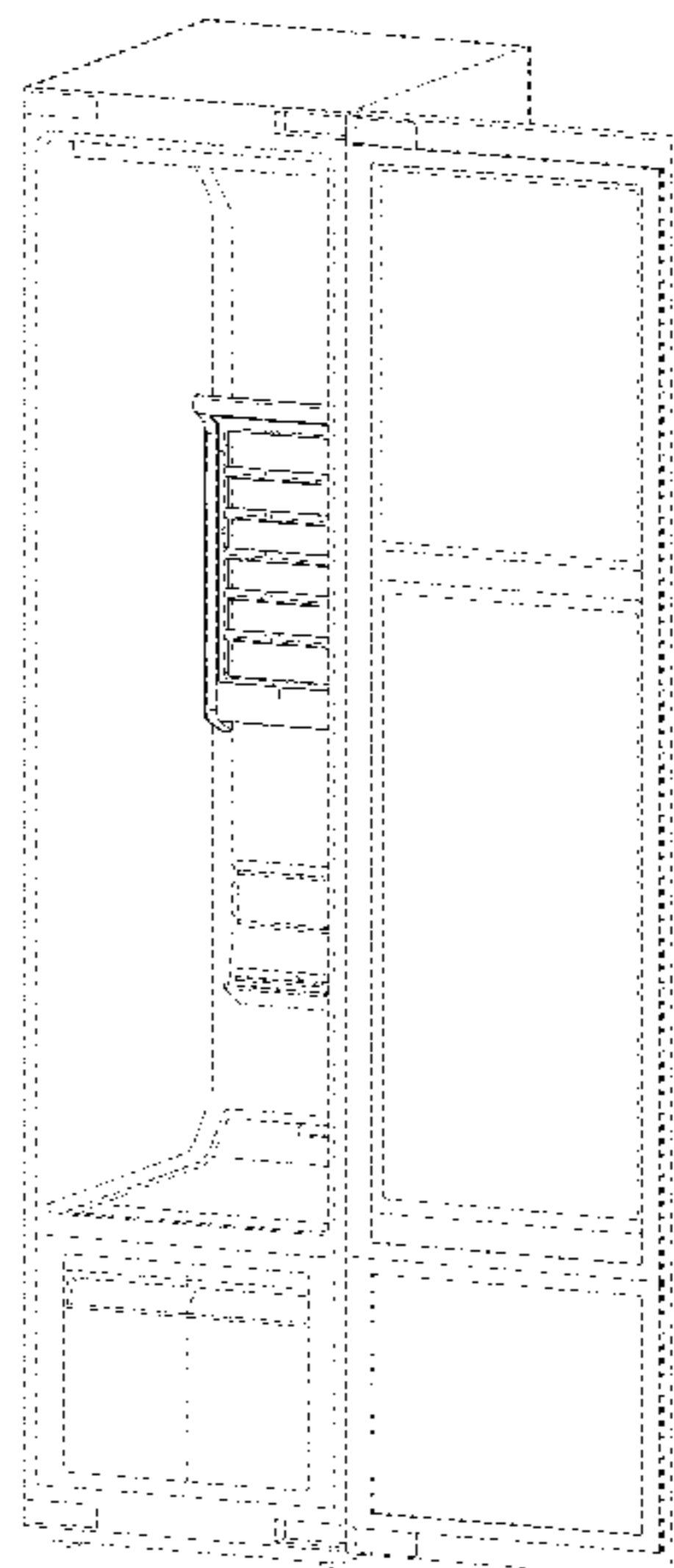
(56) **References Cited**  
**U.S. PATENT DOCUMENTS**  
D197,085 S \* 12/1963 Bequette ..... D32/8  
D532,563 S \* 11/2006 Kim ..... D32/6  
(Continued)

**FOREIGN PATENT DOCUMENTS**  
EM 002418574-0001 3/2014  
KR 30-0568002 S 7/2010  
(Continued)

**OTHER PUBLICATIONS**  
“LG Electronics apparel manager ‘styler’ worried about . . . Become a B2B business” [ 2013 ] <http://www.ddaily.co.kr> Feb. 15, 2019  
<<http://www.ddaily.co.kr/news/article.html?no=112004>>.  
(Continued)

The broken lines in the figures depict portions of the clothing care machine which form no part of the claimed design.

**1 Claim, 16 Drawing Sheets**



# US D917,116 S

Page 2

(58) **Field of Classification Search**

CPC ..... D06F 58/20; D06F 73/02; D06F 58/10;  
D06F 58/12; D06F 58/203

See application file for complete search history.

(56) **References Cited**

U.S. PATENT DOCUMENTS

D640,430 S \* 6/2011 Jee ..... D32/6  
D643,165 S \* 8/2011 Song ..... D32/8  
8,037,626 B2 \* 10/2011 Moon ..... D06F 58/10  
38/14  
D663,495 S \* 7/2012 Song ..... D32/8  
8,215,133 B2 \* 7/2012 Kim ..... D06F 58/203  
68/5 C  
8,424,141 B2 \* 4/2013 Yoo ..... D06F 58/203  
8/149.3  
8,484,868 B2 \* 7/2013 Kim ..... D06F 58/12  
38/14  
8,505,340 B2 \* 8/2013 Kim ..... D06F 58/10  
68/5 C  
D732,769 S \* 6/2015 Chung ..... D32/25  
D732,770 S \* 6/2015 Choi ..... D32/25  
D732,771 S \* 6/2015 Chung ..... D32/25  
D732,772 S \* 6/2015 Chung ..... D32/25  
D732,773 S \* 6/2015 Chung ..... D32/25  
D732,774 S \* 6/2015 Chung ..... D32/25  
D732,775 S \* 6/2015 Chung ..... D32/25  
D743,127 S \* 11/2015 Chung ..... D32/25  
D743,128 S \* 11/2015 Chung ..... D32/25  
D743,129 S \* 11/2015 Chung ..... D32/25  
D743,130 S \* 11/2015 Choi ..... D32/25  
D743,652 S \* 11/2015 Chung ..... D32/25

D743,653 S \* 11/2015 Chung ..... D32/25  
D743,654 S \* 11/2015 Chung ..... D32/25  
D824,124 S \* 7/2018 Lee ..... D32/6  
D827,236 S \* 8/2018 Chung ..... D32/25  
D828,656 S \* 9/2018 Chung ..... D32/6  
D836,271 S \* 12/2018 Chung ..... D32/6  
D839,515 S \* 1/2019 Chung ..... D32/25  
D897,058 S \* 9/2020 Kim ..... D32/6  
2001/0037590 A1 \* 11/2001 MacGregor ..... D06F 73/02  
38/3  
2008/0136295 A1 \* 6/2008 Aizpuru Borda ..... D06F 58/10  
312/31  
2010/0058813 A1 \* 3/2010 Moon ..... D06F 73/02  
68/6  
2012/0240425 A1 \* 9/2012 Park ..... D06F 58/20  
34/202

FOREIGN PATENT DOCUMENTS

KR 30-0670728 S 12/2012  
KR 30-0704405 S 8/2013  
KR 30-0748081 S 6/2014

OTHER PUBLICATIONS

“Launched ‘Air Shot Light’ clothing apparel using Vorneo furniture and eco-friendly green tea finishing materials” [ 2012 ] <http://kr.aving.net> Feb. 15, 2019 <<http://kr.aving.net/news/view.php?articleId=243978>>.

“Styler) Daily wear uniforms, wash clothes every day . . . Naver Blog” [ 2017 ] <https://blog.naver.com> Feb. 15, 2019 <<https://blog.naver.com/halong4865/220989537310>>.

\* cited by examiner

FIG. 1

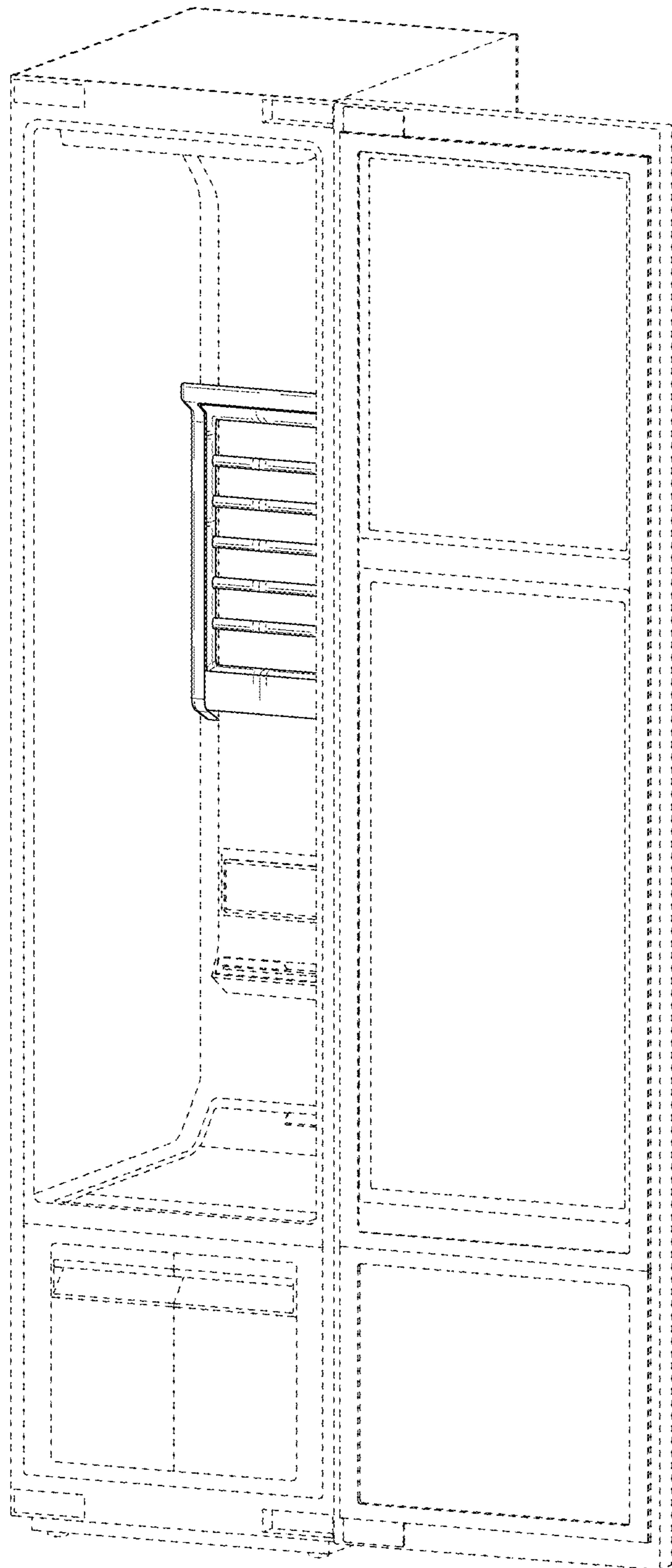


FIG. 2

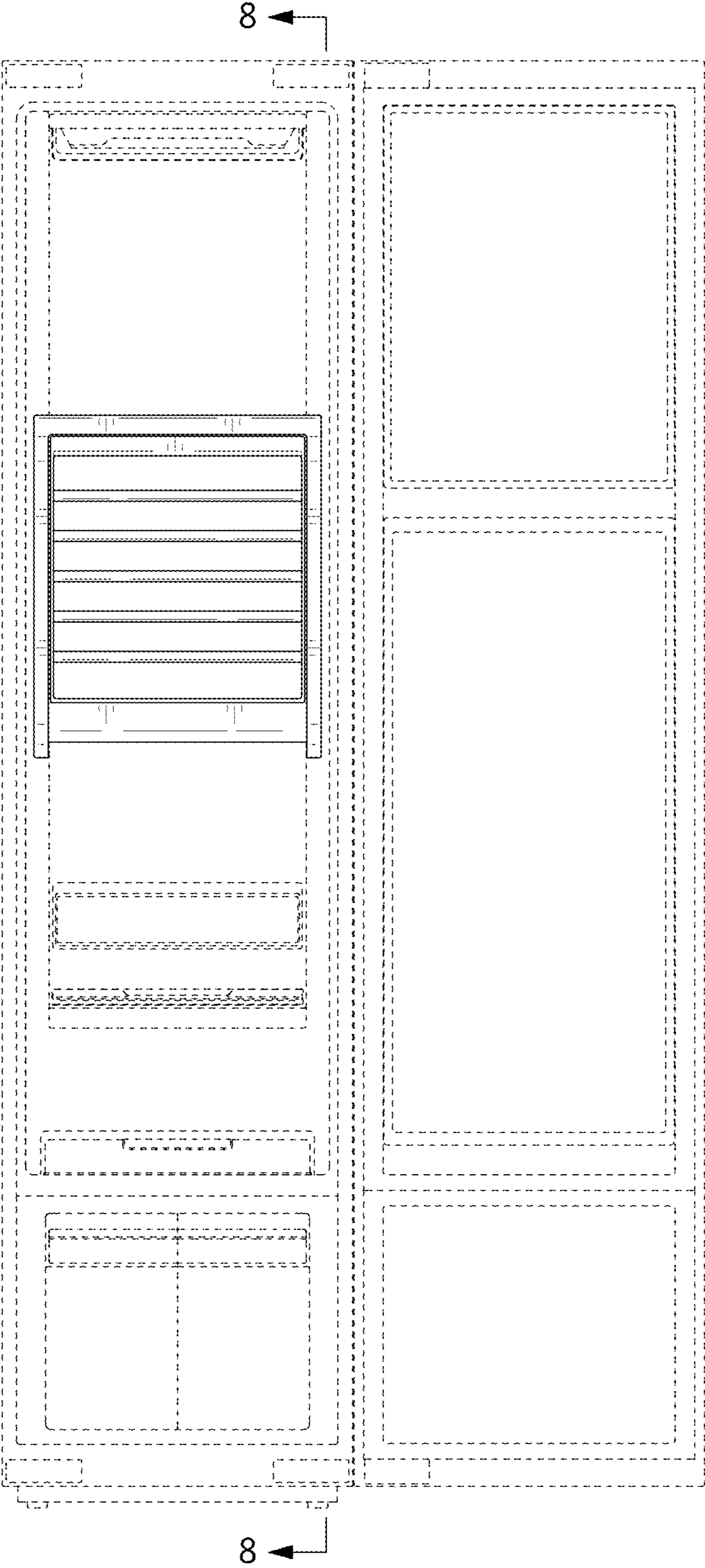


FIG. 3



FIG. 4

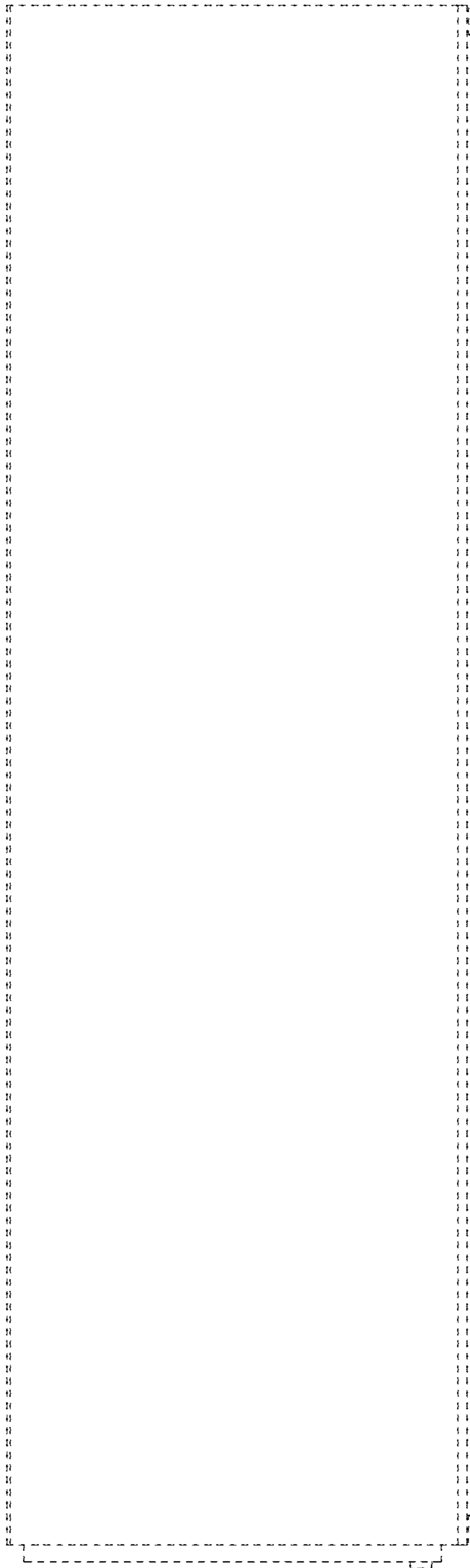


FIG. 5

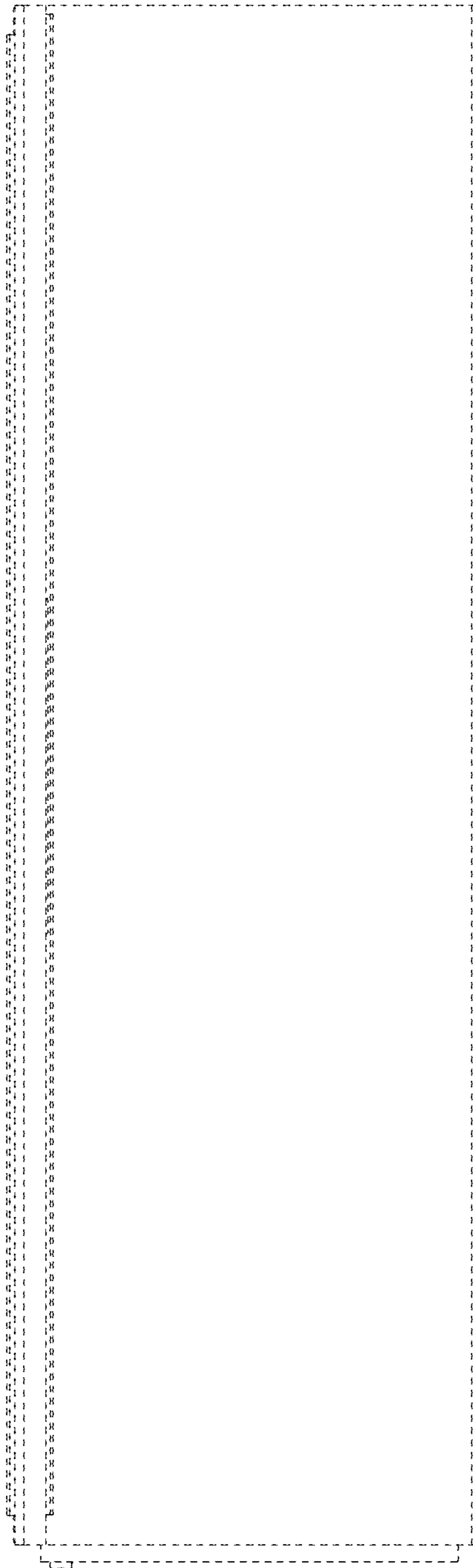


FIG. 6

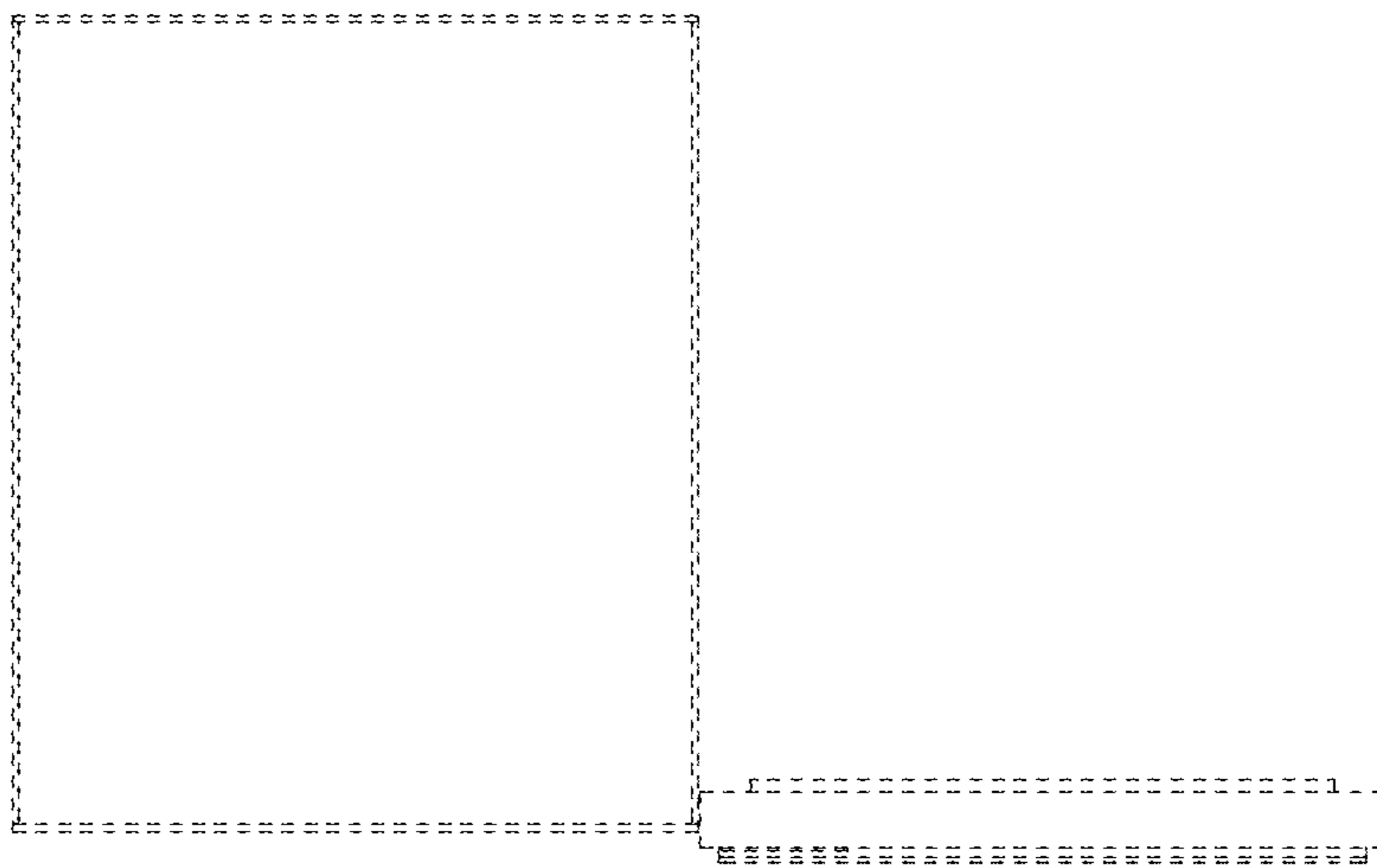




FIG. 7

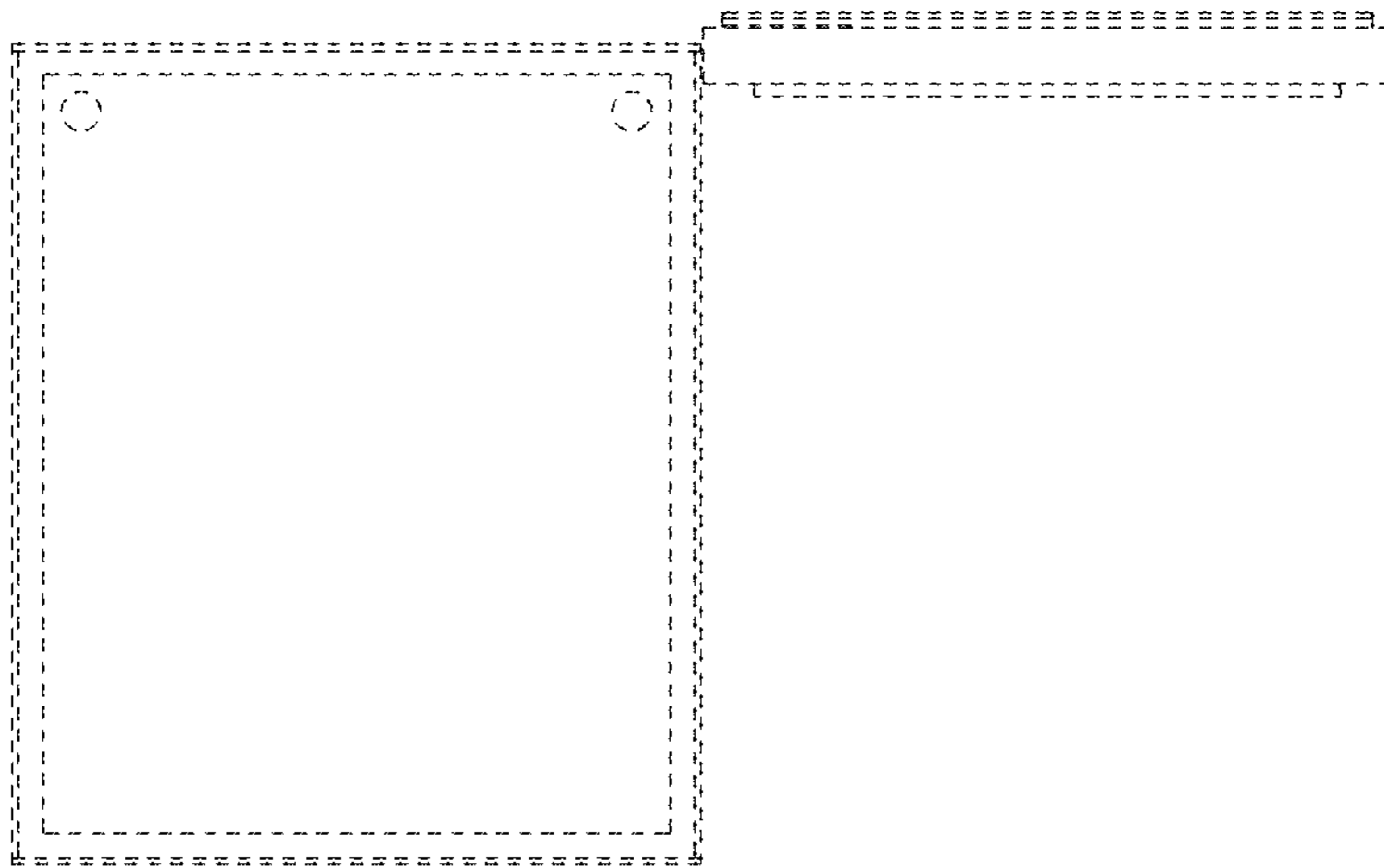


FIG. 8

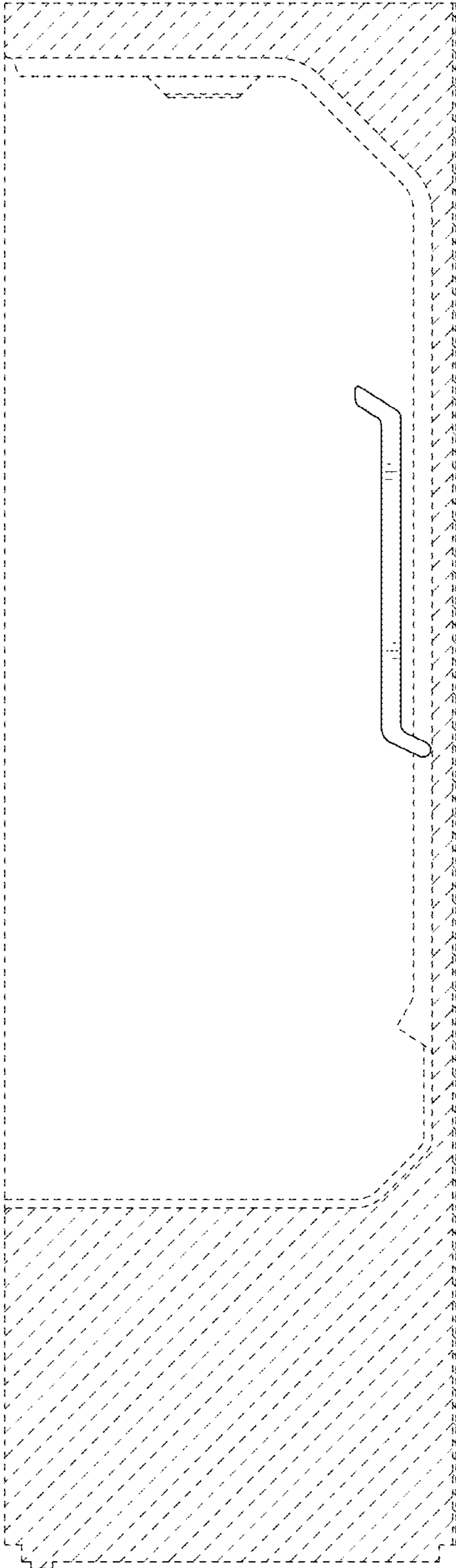


FIG. 9

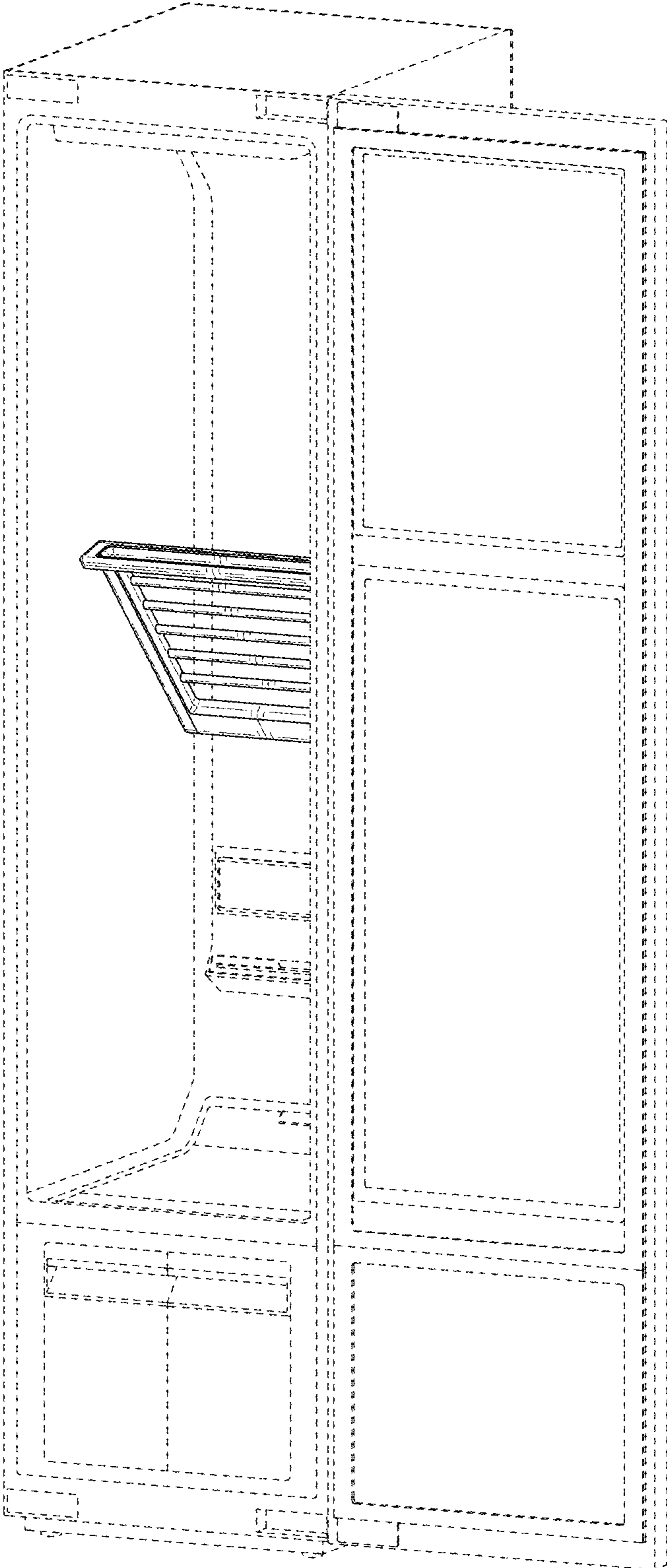


FIG. 10

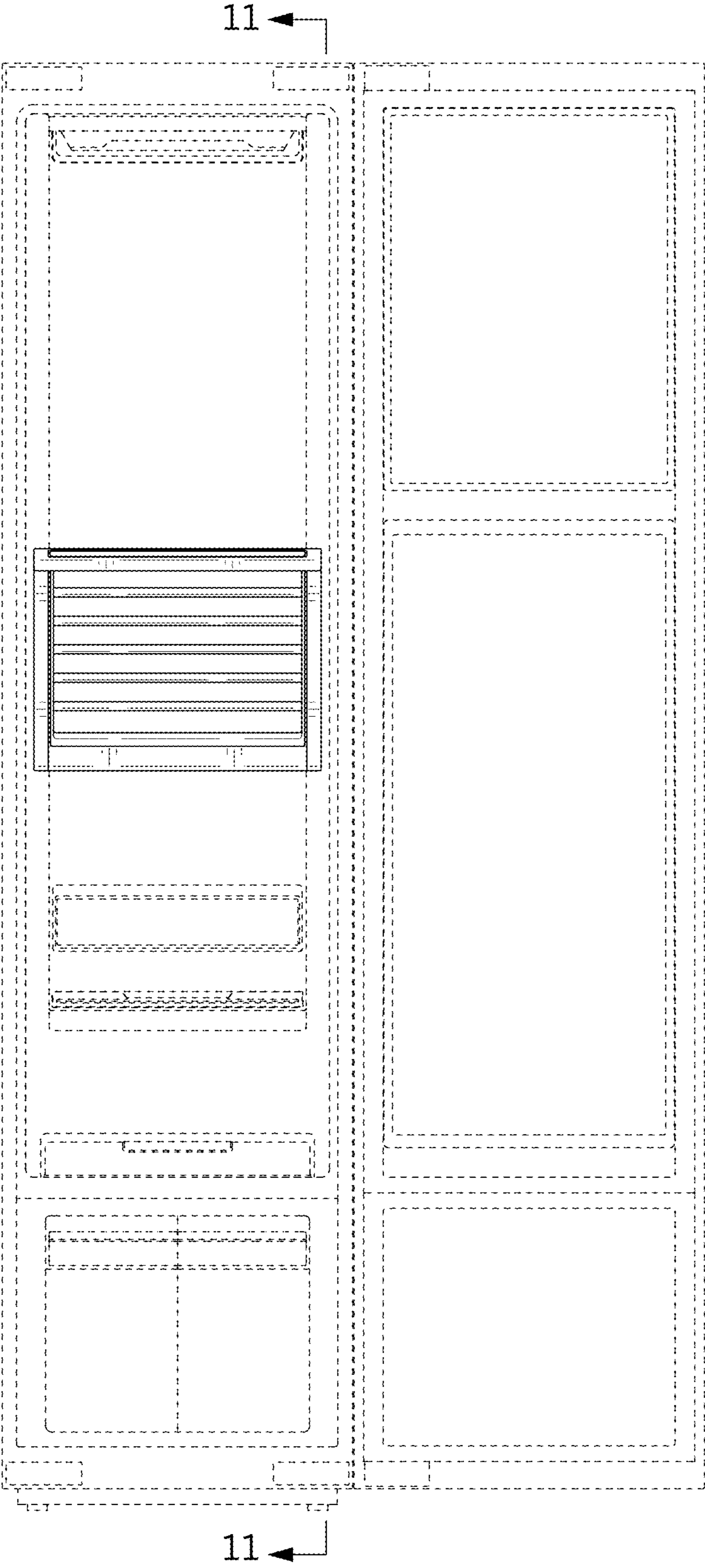


FIG. 11

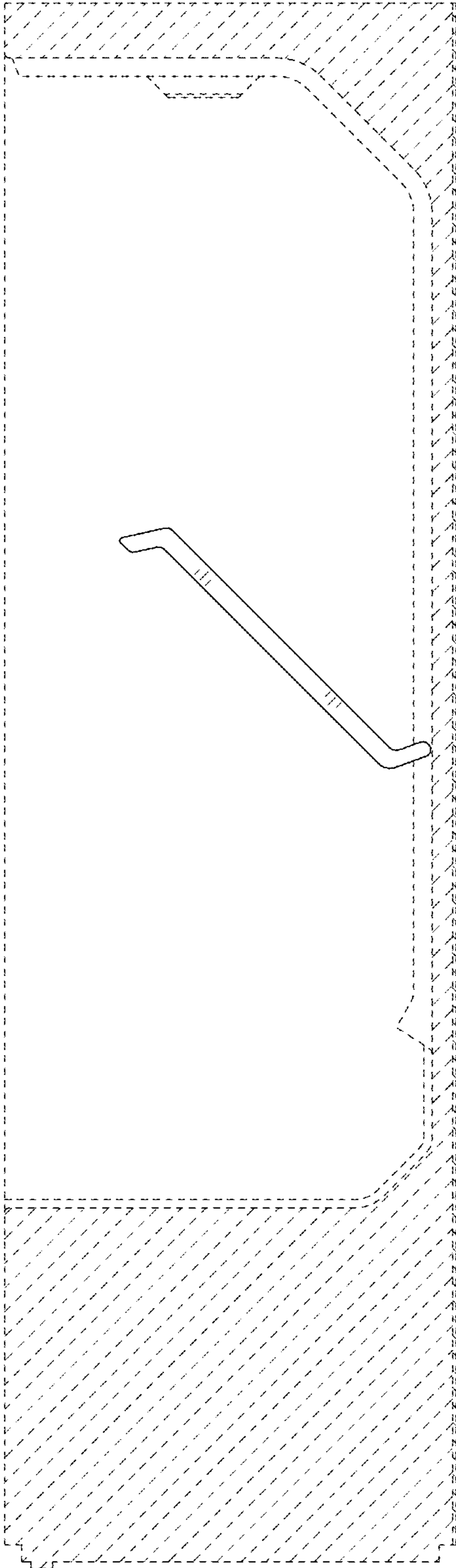


FIG. 12

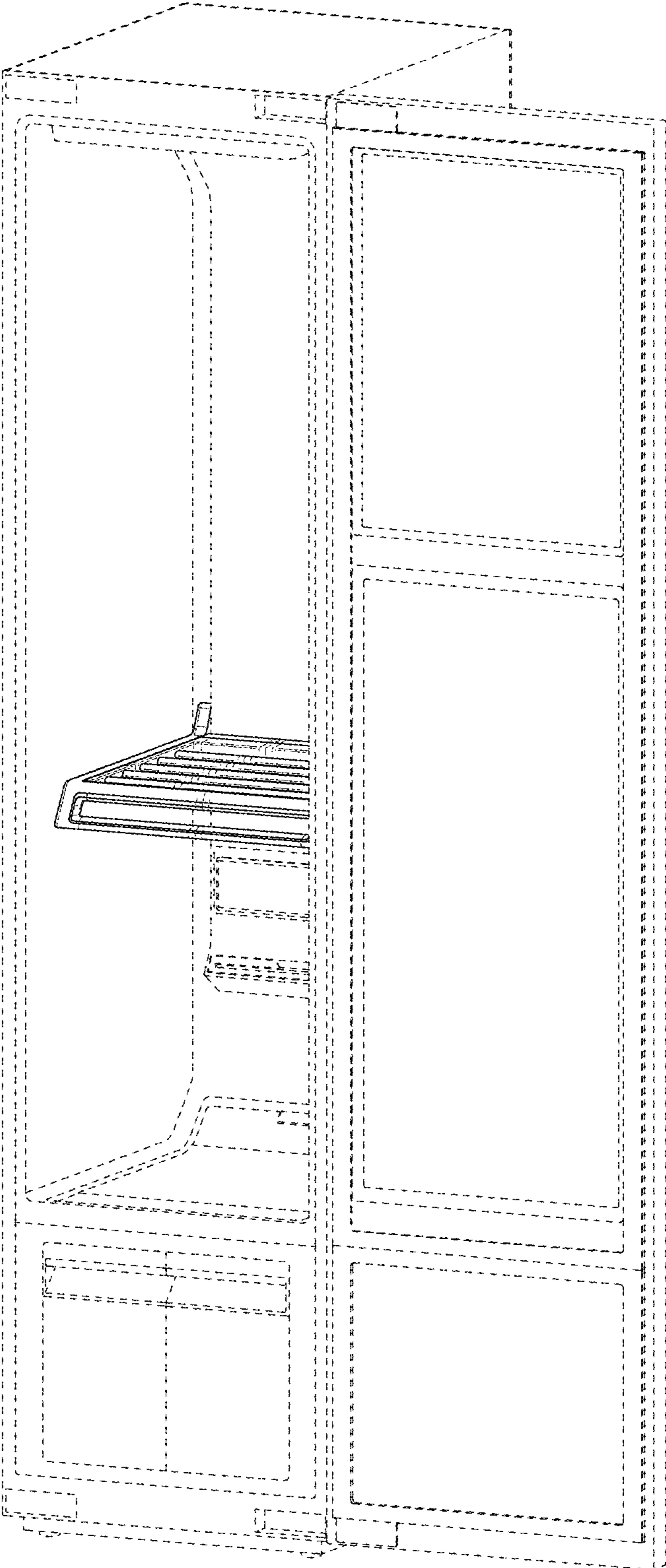


FIG. 13

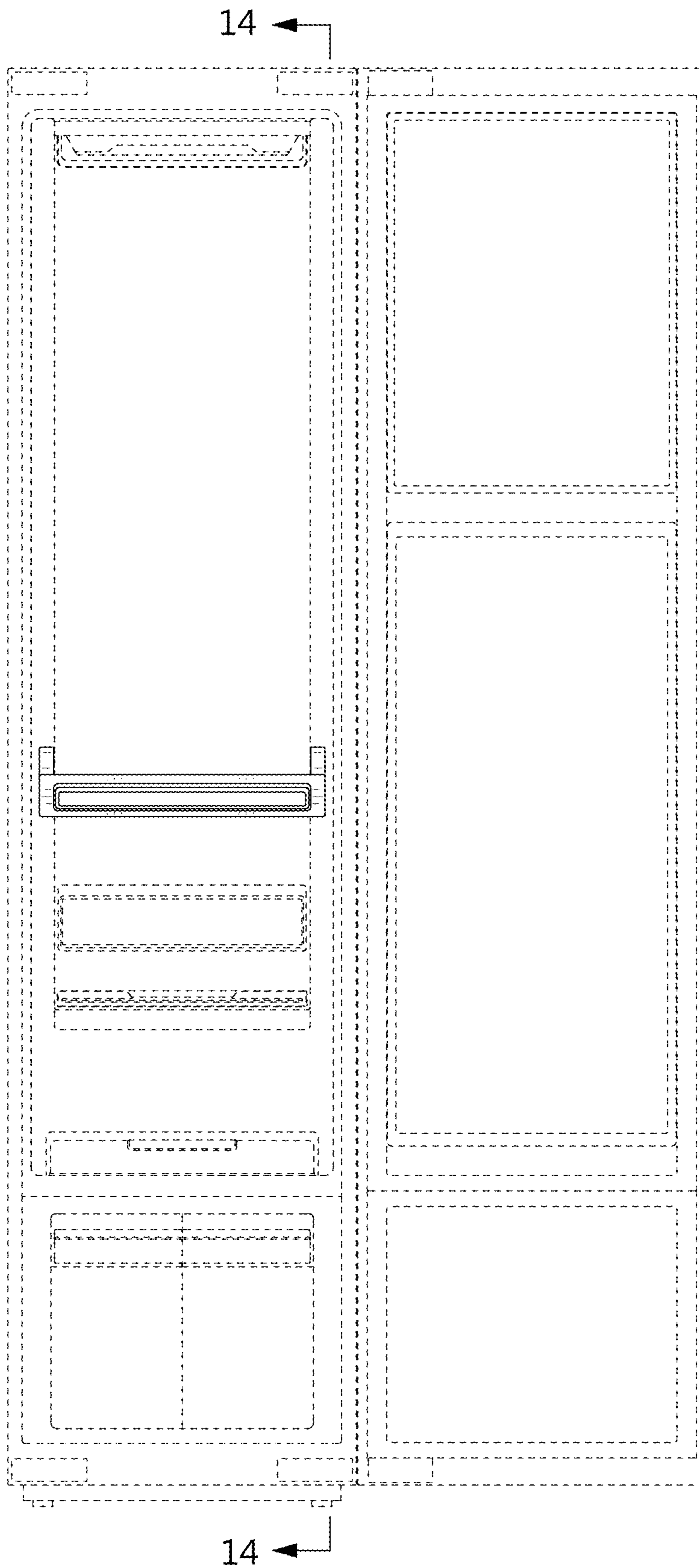


FIG. 14

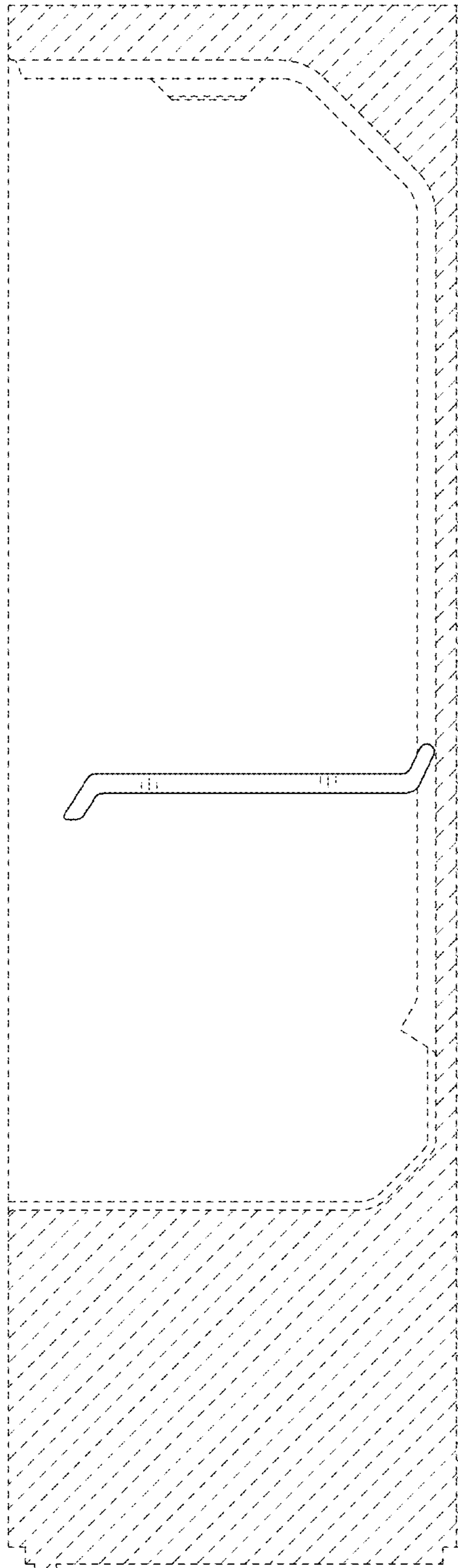




FIG. 15

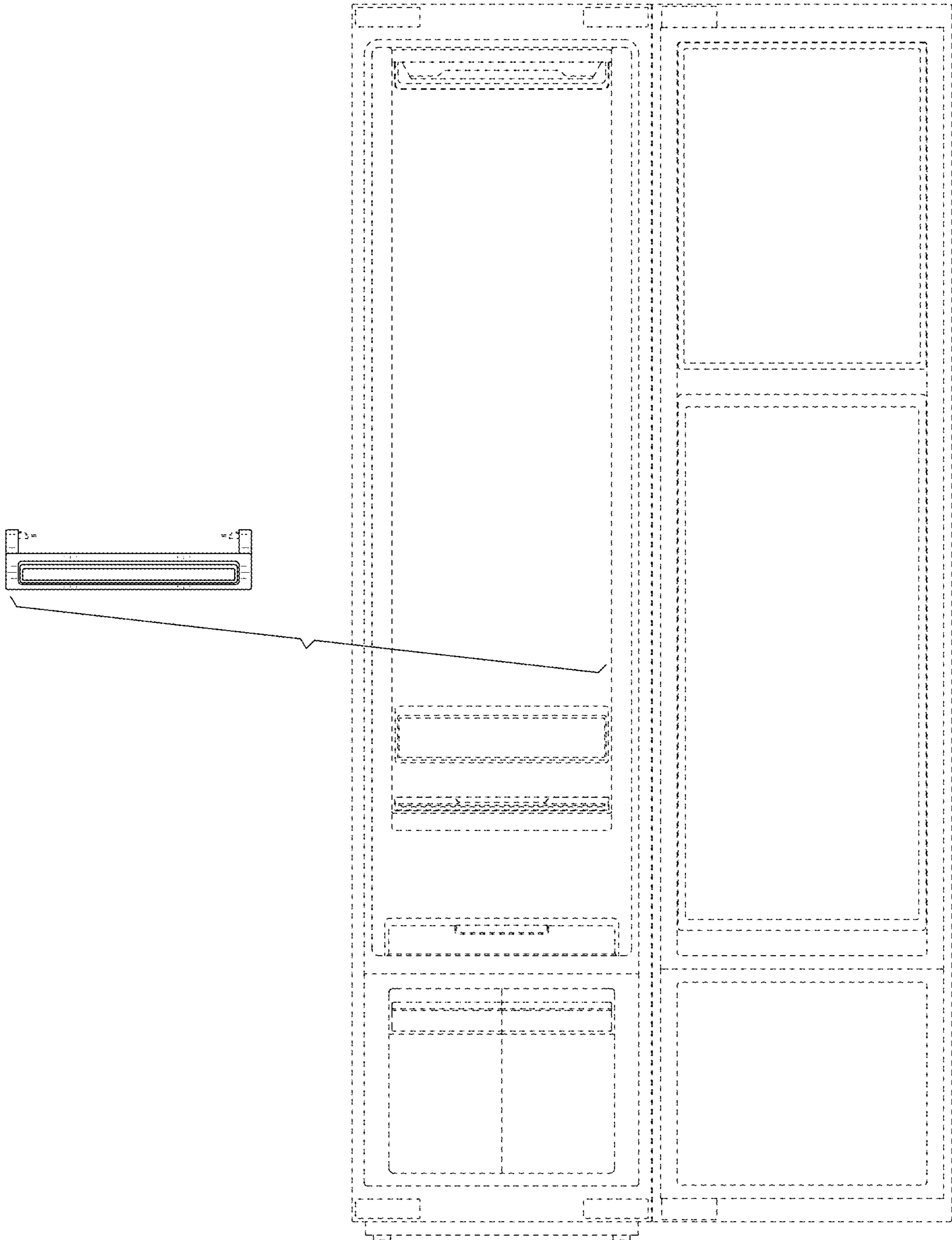


FIG. 16

