



US00D917113S

(12) **United States Design Patent**
O'Neill

(10) **Patent No.:** **US D917,113 S**

(45) **Date of Patent:** **** Apr. 20, 2021**

(54) **PET WASTE SCOOPING APPARATUS**

(71) Applicant: **Michael J. O'Neill**, Ivins, UT (US)

(72) Inventor: **Michael J. O'Neill**, Ivins, UT (US)

(**) Term: **15 Years**

(21) Appl. No.: **29/746,206**

(22) Filed: **Aug. 12, 2020**

(51) **LOC (13) Cl.** **30-99**

(52) **U.S. Cl.**

USPC **D30/162**; D30/161

(58) **Field of Classification Search**

USPC D30/162, 199; 273/447; D8/4, 52, 58,
D8/51; D34/1, 10, 28, 34, 35; D21/532;
D29/124; D7/642, 644, 683, 685, 686,
D7/687, 688; 119/867, 161;
294/1.3-1.5, 19.2, 19.3, 86.4, 86.11,
294/86.19, 86.42, 86.12, 86.17, 86.2,
294/86.21, 86.24, 86.26, 86.32, 87.26,
294/196-198, 210, 111, 49-57; 132/273,
132/277, 283, 284, 128-156, 236, 252,
132/259-263; 15/257.1; 446/424-428,
446/491, 330, 86

CPC A01K 1/01; E01H 1/1206; E01H 1/12;
E01H 1/1213; E01H 2001/122; E01H
2001/1226; E01H 2001/1233; E01H
2001/1246; E01H 2001/1293; A63H
17/266; A63H 17/12; A63H 17/26; A63H
23/005; A63H 23/16; A63H 33/3044;
A63H 33/3072; B25J 1/02; B25J 1/06

See application file for complete search history.

(56) **References Cited**

U.S. PATENT DOCUMENTS

132,134 A * 10/1872 Bowers E01H 1/12
294/176
D30,292 S * 2/1899 Seble D7/691

722,965 A * 3/1903 Flitsch et al. A01B 1/02
294/176
2,794,457 A * 6/1957 Nicodemus A47F 13/08
141/344
3,804,448 A * 4/1974 Schmieler E01H 1/1206
294/1.4

(Continued)

Primary Examiner — Susan Moon Lee

(74) *Attorney, Agent, or Firm* — Gurr Brande &
Spendlove, PLLC; Robert A. Gurr

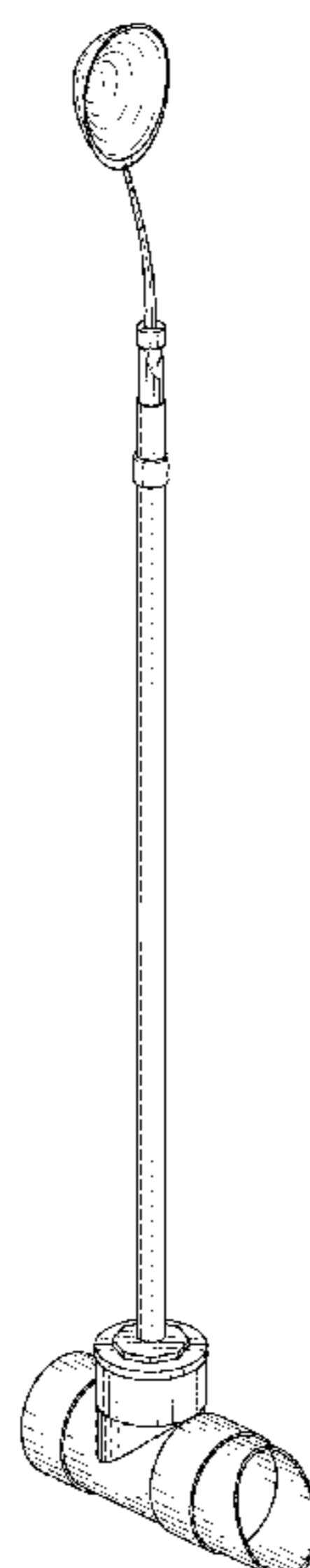
(57) **CLAIM**

The ornamental design for a pet waste scooping apparatus,
as shown and described.

DESCRIPTION

FIG. 1 is a front, left perspective view of the pet waste scooping apparatus;
FIG. 2 is a front elevation view of the pet waste scooping apparatus;
FIG. 3 is a rear elevation view of the pet waste scooping apparatus;
FIG. 4 is a left side elevation view of the pet waste scooping apparatus;
FIG. 5 is a right side elevation view of the pet waste scooping apparatus;
FIG. 6 is a top plan view of the pet waste scooping apparatus;
FIG. 7 is a bottom plan view of the pet waste scooping apparatus;
FIG. 8 is a detailed, left side elevation view of a bottom of the pet waste scooping apparatus in use; and,
FIG. 9 is a front, left perspective view of the pet waste scooping apparatus with a scooper detached therefrom.
The broken lines shown in FIG. 8 are for the purpose of illustrating a bag received within the front of the pet waste scooping apparatus that form no part of the claimed design. The broken line in FIG. 9 is implemented to indicate the removable nature of the upper scoop tool from the body of the invention and forms no part of the design claim.

1 Claim, 5 Drawing Sheets



(56)

References Cited

U.S. PATENT DOCUMENTS

3,910,619 A * 10/1975 Schmieler E01H 1/1206
294/1.4
4,149,745 A * 4/1979 Willis E01H 1/1206
15/257.1
D263,512 S * 3/1982 Kawada 294/1.4
4,447,082 A * 5/1984 Lindholm E01H 1/1206
294/1.4
D285,012 S * 8/1986 Willis 294/1.4
4,686,734 A * 8/1987 Alexander A47L 13/52
15/257.1
D298,369 S * 11/1988 Shun 294/1.4
D299,075 S * 12/1988 Scott 294/1.4
D312,898 S * 12/1990 Roberts D30/162
5,107,666 A * 4/1992 Rahtican B65B 67/1238
141/316
D333,888 S * 3/1993 Visser 294/1.4
5,360,247 A * 11/1994 Vachter E01H 1/12
294/1.4
5,498,046 A * 3/1996 Ridley, Sr. A01D 51/00
15/257.1
D404,855 S * 1/1999 Dotson D30/162
5,868,447 A * 2/1999 Clark E01H 1/1206
15/257.3
D406,415 S * 3/1999 Martin D30/162
5,899,510 A * 5/1999 Hayes E01H 1/1206
294/1.4
6,237,972 B1 * 5/2001 Jung E01H 1/1206
15/257.3
D461,027 S * 7/2002 Gardner D30/162
6,612,379 B1 * 9/2003 Timmons A01B 1/02
172/375

D507,082 S * 7/2005 Miklosovic 294/1.4
7,188,878 B1 * 3/2007 Kraus E01H 1/1206
248/101
D603,113 S * 10/2009 Morton D30/162
7,686,360 B2 * 3/2010 Platt A01K 1/0114
294/1.3
D686,787 S * 7/2013 Dabrushman D30/162
D692,193 S * 10/2013 Baars D30/162
8,919,708 B1 * 12/2014 Graves B65B 67/04
248/101
D828,652 S * 9/2018 Ausere D30/162
10,633,810 B2 * 4/2020 Pavloski E01H 1/1206
D892,416 S * 8/2020 Farmer D30/161
D896,451 S * 9/2020 Perez D30/162
2005/0184540 A1 * 8/2005 Graziosi E01H 1/1206
294/1.4
2006/0152024 A1 * 7/2006 Borngesser E01H 1/1206
294/1.3
2006/0180512 A1 * 8/2006 Allen B07B 1/02
209/418
2006/0237977 A1 * 10/2006 Krieger E01H 1/1206
294/1.4
2006/0237978 A1 * 10/2006 Krieger E01H 1/1206
294/1.4
2009/0072559 A1 * 3/2009 Wilkerson E01H 1/1206
294/1.4
2009/0134644 A1 * 5/2009 Roberts E01H 1/1206
294/1.4
2012/0080894 A1 * 4/2012 Williamson A01K 23/005
294/1.4
2014/0327256 A1 * 11/2014 Zurn E01H 1/1206
294/1.4
2016/0244259 A1 * 8/2016 Zugel B65F 1/06
2017/0284043 A1 * 10/2017 Weber B65F 1/10

* cited by examiner

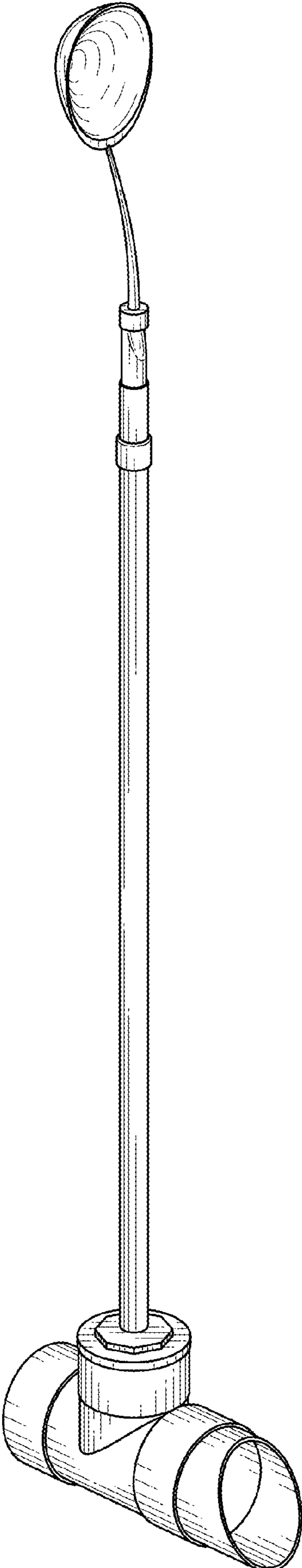


FIG. 1

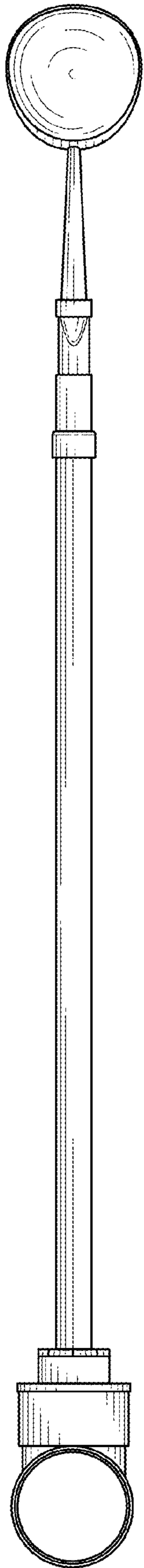


FIG. 2

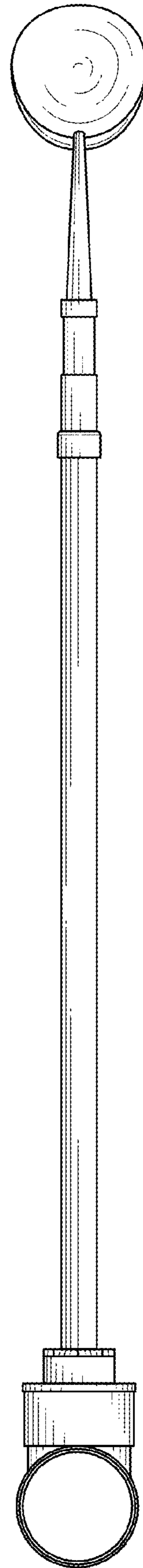


FIG. 3

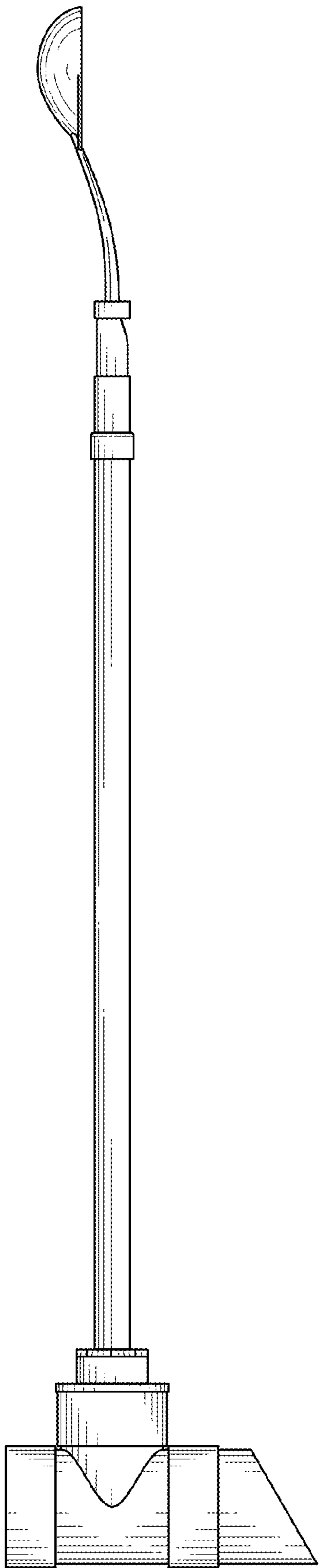


FIG. 4

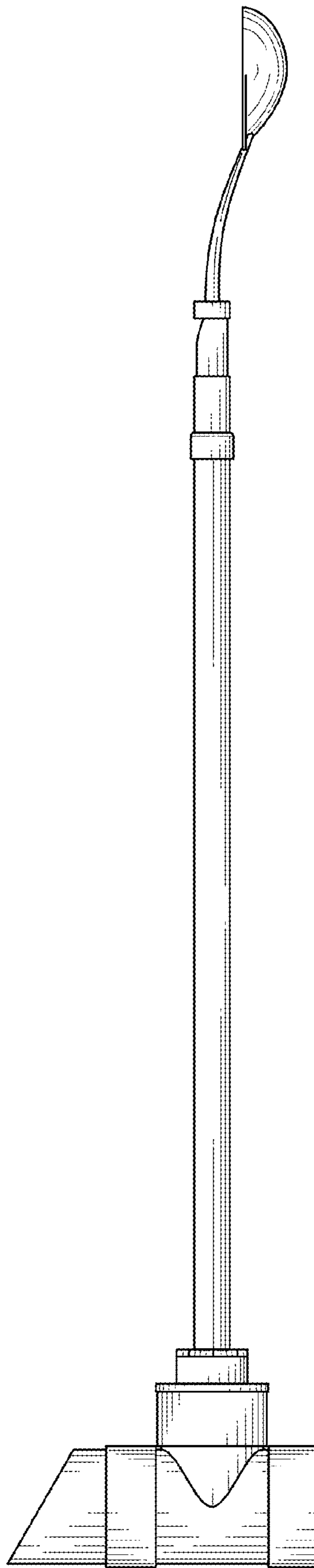


FIG. 5

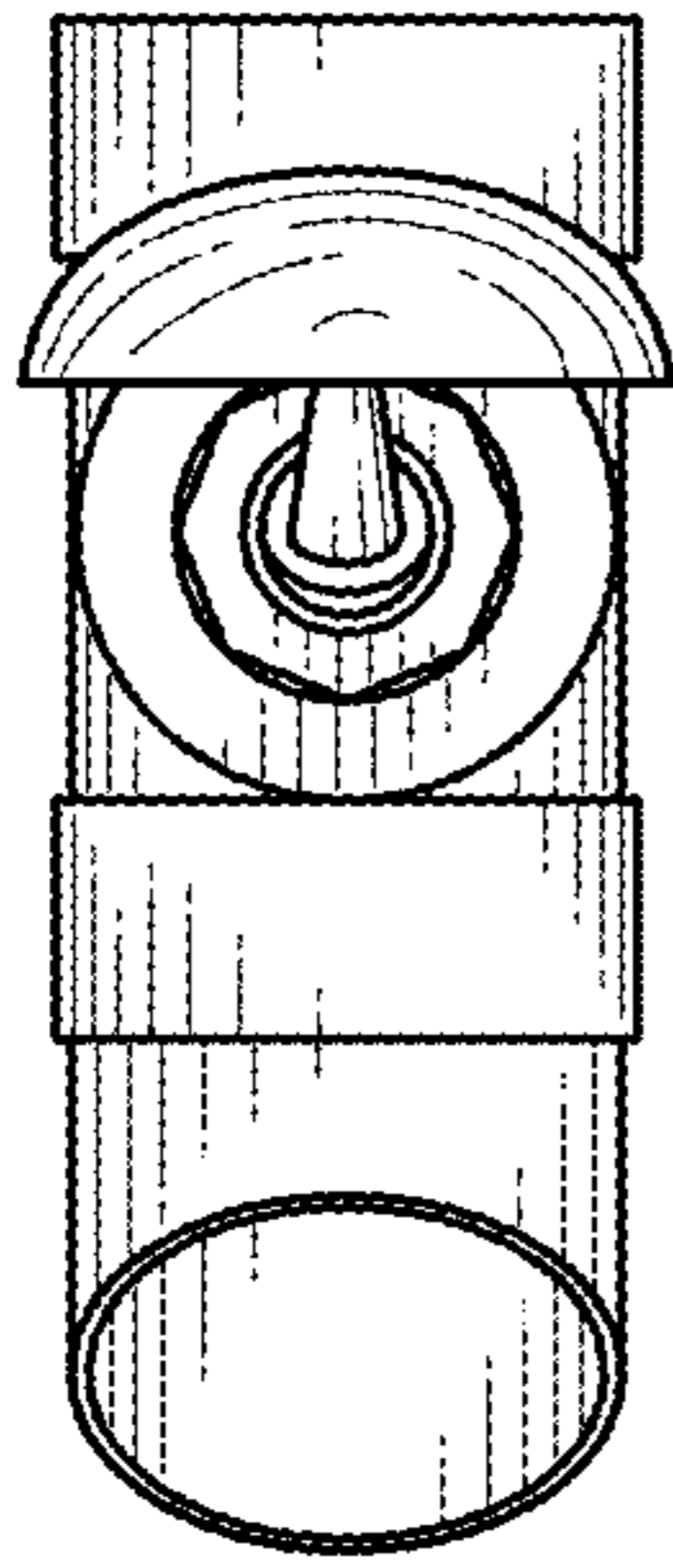


FIG. 6

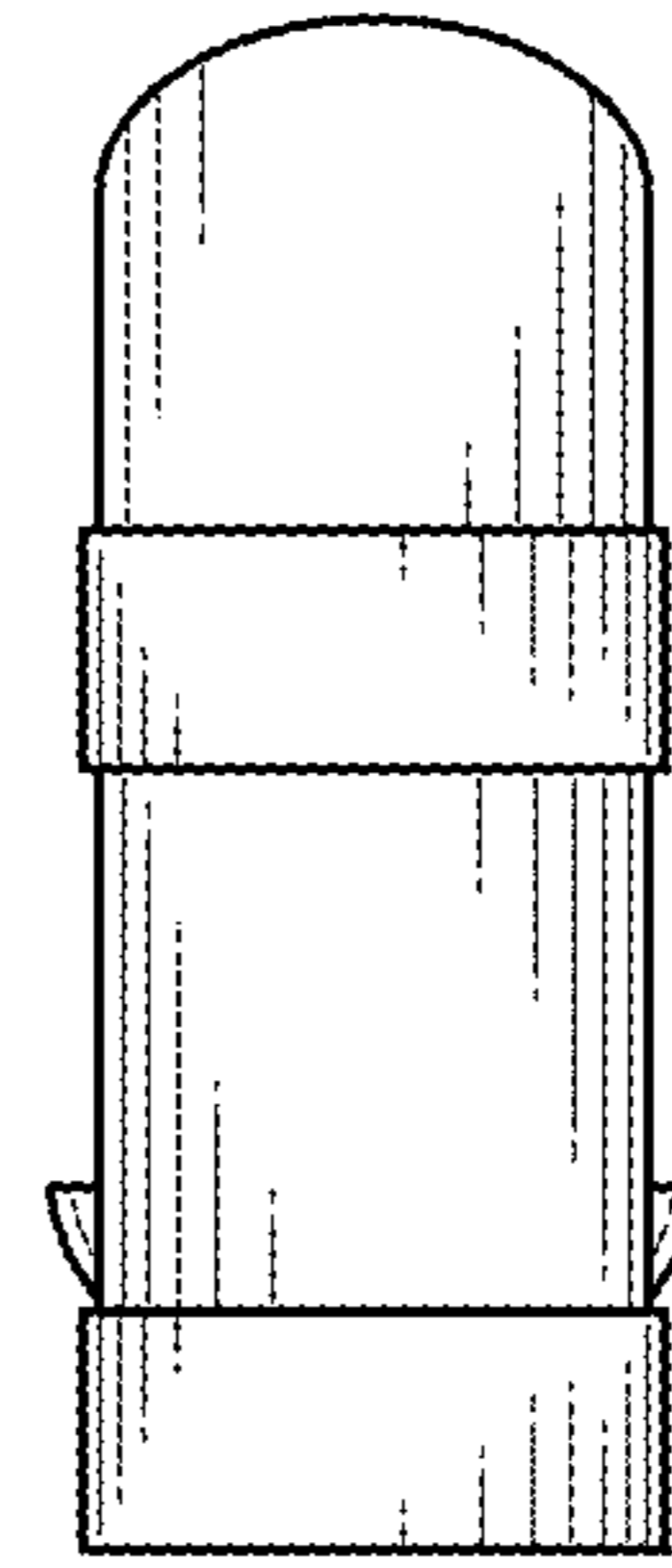


FIG. 7

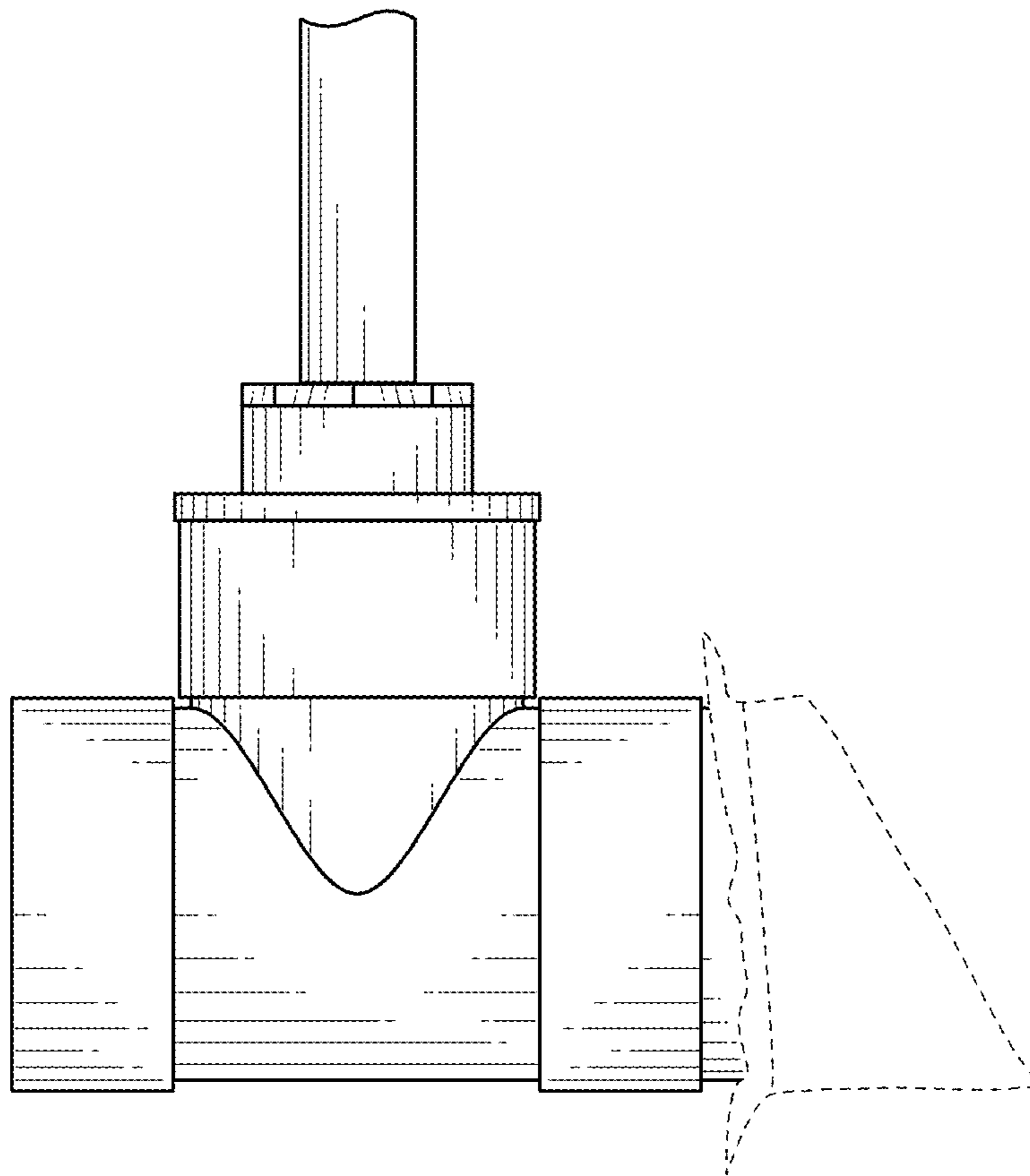


FIG. 8

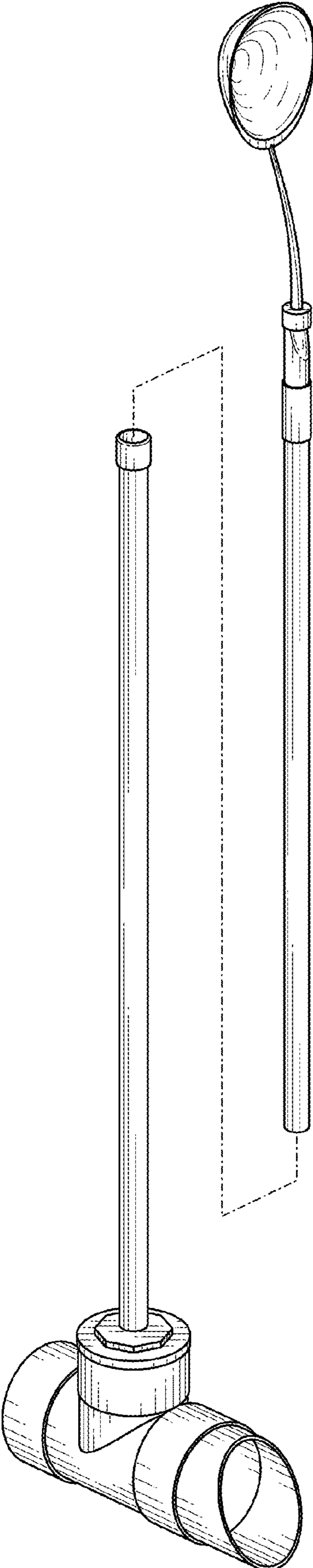


FIG. 9