



US00D917111S

(12) **United States Design Patent**
Guo et al.

(10) **Patent No.:** **US D917,111 S**
(45) **Date of Patent:** **** Apr. 20, 2021**

(54) **PET NAIL GRINDER**

CPC A01K 13/00; A01K 13/001; A45D 29/05;
A45D 29/06; A45D 29/11; A45D 29/14;
A45D 29/00

(71) Applicant: **ZHUHAI KERKES TECHNOLOGY CO., LTD**, Zhuhai (CN)

See application file for complete search history.

(72) Inventors: **Jinpeng Guo**, Zhuhai (CN); **Wei Du**, Zhuhai (CN)

(56) **References Cited**

(73) Assignee: **ZHUHAI KERKES TECHNOLOGY CO., LTD**, Zhuhai (CN)

U.S. PATENT DOCUMENTS

(**) Term: **15 Years**

D107,402 S *	12/1937	Bates	D28/80
D141,322 S *	5/1945	Ganz	D7/613
D155,702 S *	10/1949	Ganine	D21/617
2,543,850 A *	3/1951	Henricson	B65D 47/248 222/518
2,546,122 A *	3/1951	Goldfarb	A47G 19/2222 446/72
D167,068 S *	6/1952	Chase	D11/158
D170,459 S *	9/1953	Hamman	D9/611
2,947,091 A *	8/1960	McCrary	A63H 3/24 434/247
D205,102 S *	6/1966	Pawelka	D9/436
3,613,696 A *	10/1971	Paule	A45D 29/14 132/73.6

(21) Appl. No.: **29/759,362**

(22) Filed: **Nov. 23, 2020**

(51) **LOC (13) Cl.** **30-99**

(52) **U.S. Cl.**

USPC **D30/158**

(58) **Field of Classification Search**

USPC D30/158, 99; 119/600, 468, 607-611, 119/627, 633, 663, 601; D28/59, 36, 58, D28/44, 49, 50, 53, 85, 44.1, 51, 63; D8/61, 62, 82, DIG. 7; D24/147, 146, D24/214, 215, 200, 111, 133, 144, 156, D24/186; D4/100-102, 137, 119, 120; 132/73.6, 75.8, 76.4, 73.5, 75.3, 75.6, 132/76.5, 118, 119.1, 75.4, 75.5, 75; 30/26, 29.5, 43, 43.4-43.6, 41.5, 206, 30/133, 276, 29, 277.4, 240, 210, 43.92, 30/392, 167, 329, 169; 15/23, 28, 22.1, 15/101, 65, 104.04, 88, 104.095, 97.1, 15/179; 451/356, 162-164; 452/98; 81/3.42, 177.7, 57.26, 57.11, 58.3; 606/85, 131; 83/698.11, 520; 362/120; 206/368; 392/380, 384; 173/29, 217, 173/216; 310/50; 464/53; 601/70; D15/132; 433/133, 130, 125, 127, 166, 433/126, 132; 279/51, 147; D26/49, 37; D9/723, 529, 530, 548

(Continued)

Primary Examiner — Susan Moon Lee

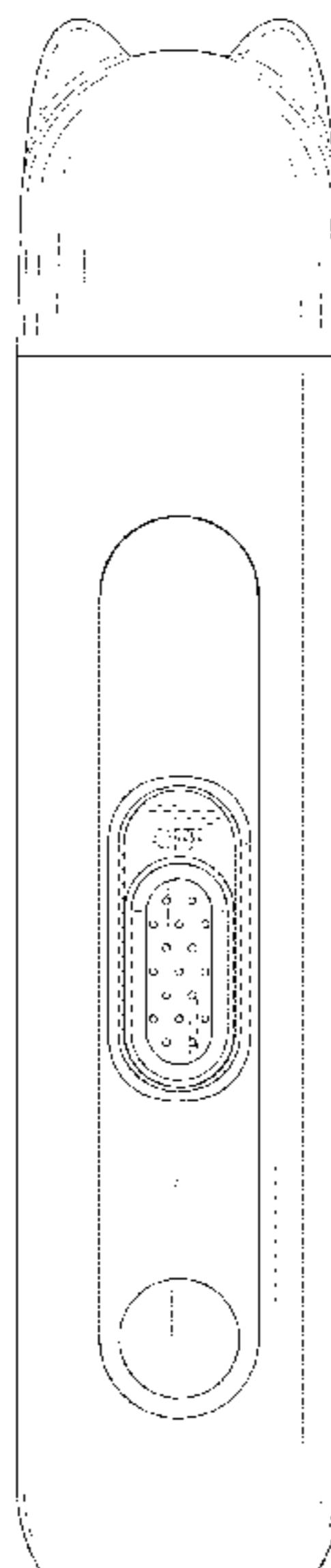
(57) **CLAIM**

The ornamental design for a pet nail grinder, as shown and described.

DESCRIPTION

FIG. 1 is a perspective view of a pet nail grinder showing my new design;
FIG. 2 is another perspective view thereof;
FIG. 3 is a front elevational view thereof;
FIG. 4 is a rear elevational view thereof;
FIG. 5 is a left side elevational view thereof;
FIG. 6 is a right side elevational view thereof;
FIG. 7 is a top plan view thereof;
FIG. 8 is a bottom plan view thereof; and,
FIG. 9 is an enlarged view of portion 9 shown in FIG. 1.
The broken lines in the drawings depict portions of the pet nail grinder that form no part of the claimed design.

1 Claim, 9 Drawing Sheets



(56)

References Cited

U.S. PATENT DOCUMENTS

D224,998 S *	10/1972	Sayre et al.	D9/611	8,894,313 B2 *	11/2014	Toh	A45D 34/041
D240,309 S *	6/1976	Orenstein	D21/654	D725,478 S *	3/2015	Huang	401/209
D256,171 S *	7/1980	Tomaro	D28/50	D736,999 S *	8/2015	Yiu	D28/58
D266,111 S *	9/1982	Doyel	D28/58	D743,805 S *	11/2015	Glass	D9/611
D276,640 S *	12/1984	Paczko	D21/617	D768,334 S *	10/2016	Langberg	D28/58
D276,845 S *	12/1984	Daugherty	D21/408	D768,931 S *	10/2016	Langberg	D28/58
D303,441 S *	9/1989	Keller	D30/129	D768,932 S *	10/2016	Langberg	D28/58
D305,806 S *	1/1990	Fujisawa	D28/50	D769,529 S *	10/2016	Langberg	D28/58
D319,711 S *	9/1991	Fujisawa	D28/50	D772,493 S *	11/2016	Wu	D30/129
D339,498 S *	9/1993	Ancona	D7/302	D781,496 S *	3/2017	Butler	D28/58
D343,482 S *	1/1994	Keller	D30/130	D784,631 S *	4/2017	Smesny	D30/133
D347,573 S *	6/1994	Bishop	D9/611	D786,088 S *	5/2017	Wilson	D9/688
D358,008 S *	5/1995	Keller	D21/816	D788,980 S *	6/2017	Yiu	D28/58
D376,478 S *	12/1996	Lagrange	D11/223	D788,982 S *	6/2017	Yiu	D28/58
D377,246 S *	1/1997	Clenney	294/1.3	D789,801 S *	6/2017	Johnson	D10/7
5,674,103 A *	10/1997	Bean	A63H 33/04	D798,151 S *	9/2017	Vivas	D9/451
			206/457	D798,153 S *	9/2017	Vivas	D9/451
D408,945 S *	4/1999	Sgariboldi	D28/80	D801,948 S *	11/2017	Picunko	D14/205
D416,366 S *	11/1999	Dunbar	D11/134	D803,511 S *	11/2017	Lee	D1/129
D423,897 S *	5/2000	Cooper	D8/61	D812,319 S *	3/2018	Singer	D30/159
D424,424 S *	5/2000	Indelicate	D9/611	D813,195 S *	3/2018	Huang	D14/205
D434,181 S *	11/2000	Watanabe	D28/9	D823,553 S *	7/2018	Liu	D30/130
D437,250 S *	2/2001	Hull	D11/82	D824,676 S *	8/2018	Jian	D3/322
D460,483 S *	7/2002	Calabro	D19/142	D830,035 S *	10/2018	Terral	D1/110
D470,374 S *	2/2003	Murray	D8/61	D830,662 S *	10/2018	Bruzzese	D99/5
D472,969 S *	4/2003	Wilden	D24/133	D836,545 S *	12/2018	Satomi	D13/108
D476,444 S *	6/2003	Hara	D28/50	D843,800 S *	3/2019	Jiang	D8/61
D482,393 S *	11/2003	Hui	D19/116	D848,551 S *	5/2019	Cummings	D21/617
6,640,811 B2 *	11/2003	Cho	A45D 29/05	D850,638 S *	6/2019	Cha	D24/200
			132/73.6	D856,086 S *	8/2019	Goulet Dubois	D7/519
D496,077 S *	9/2004	Rutherford	D21/623	D857,308 S *	8/2019	Bak	D30/133
D503,495 S *	3/2005	Maeda	D28/53	D860,470 S *	9/2019	Li	D24/214
D508,414 S *	8/2005	Lamb	D9/504	D863,253 S *	10/2019	He	D14/205
D523,017 S *	6/2006	Blaustein	D14/480.2	D867,198 S *	11/2019	Wang	D11/52
D526,121 S *	8/2006	Nip	D21/392	D868,026 S *	11/2019	Hardi	D14/205
7,204,202 B2 *	4/2007	Behun	A01K 5/0128	D869,191 S *	12/2019	Sullins	D6/406.3
			119/61.5	D869,433 S *	12/2019	Huan	D14/205
D541,994 S *	5/2007	Dana	D30/129	D872,590 S *	1/2020	Vivas	D9/611
D542,146 S *	5/2007	Wirtel	D9/611	D876,730 S *	2/2020	He	
7,337,943 B2 *	3/2008	Johns	B65D 1/36	D877,568 S *	3/2020	Finell	D7/515
			229/406	D877,569 S *	3/2020	Finell	D7/515
D568,473 S *	5/2008	Ashiwa	D24/133	D884,669 S *	5/2020	Zhong	D14/205
D572,142 S *	7/2008	Baldwin	D9/611	D888,684 S *	6/2020	Gu	D14/205
7,441,514 B2 *	10/2008	Dana	A01K 5/0128	D889,052 S *	6/2020	Bak	D30/133
			119/61.5	D890,124 S *	7/2020	ShiXing	D14/205
D580,245 S *	11/2008	Mazur	D8/38	D892,080 S *	8/2020	Krakovskiy	D14/205
D592,527 S *	5/2009	Serio	D9/529	D896,382 S *	9/2020	Fan	A61F 11/006
D601,385 S *	10/2009	Savage	D7/543				D24/151
D601,873 S *	10/2009	Lau		D899,706 S *	10/2020	Liang	D30/129
D611,824 S *	3/2010	Akkermans	D9/529	D904,696 S *	12/2020	Xu	D30/129
D616,446 S *	5/2010	Wu	D14/403	D907,313 S *	1/2021	Tu	D30/158
D616,760 S *	6/2010	Deuerer	D9/611	D909,689 S *	2/2021	Xu	D30/158
D628,492 S *	12/2010	Kim	D9/611	D909,989 S *	2/2021	Lu	D14/205
D630,070 S *	1/2011	Mazur	D8/38	D910,937 S *	2/2021	Wei	D30/158
D643,065 S *	8/2011	van der Lande	D19/142	2003/0102002 A1 *	6/2003	Cho	A45D 29/05
D657,365 S *	4/2012	Sung	D14/480.2				132/73.6
D676,710 S *	2/2013	Kwok	D7/544	2006/0150992 A1 *	7/2006	Nevakshonoff	B24B 23/02
D683,592 S *	6/2013	Shields	D7/544				132/73.6
8,469,039 B2 *	6/2013	Jackson	A45D 29/05	2006/0289025 A1 *	12/2006	Nevakshonoff	B24B 23/02
			132/200				132/73.6
D685,283 S *	7/2013	Katoh	D11/1	2007/0073950 A1 *	3/2007	Sheng	G06F 3/03545
D686,510 S *	7/2013	Zerba	D9/726				710/301
D689,547 S *	9/2013	Bayer	D19/86	2008/0255586 A1 *	10/2008	Greenberg	A61B 17/54
D695,572 S *	12/2013	Rubaisky	D7/613				606/131
D698,248 S *	1/2014	Lambrecht	D9/522	2011/0226270 A1 *	9/2011	Rivera	A45D 29/05
D711,052 S *	8/2014	Lee	A01K 5/0114				132/73.6
			D30/129	2015/0150352 A1 *	6/2015	Yiu	A61B 17/54
D711,714 S *	8/2014	Sawaya	D8/61				132/75.8
D712,272 S *	9/2014	Veletakos	D9/607	2015/0150353 A1 *	6/2015	Yiu	A45D 29/14
8,894,312 B2 *	11/2014	Toh	A45D 34/041				132/75.6
			401/209	2016/0029768 A1 *	2/2016	Dai	A45D 29/02
							30/27

* cited by examiner

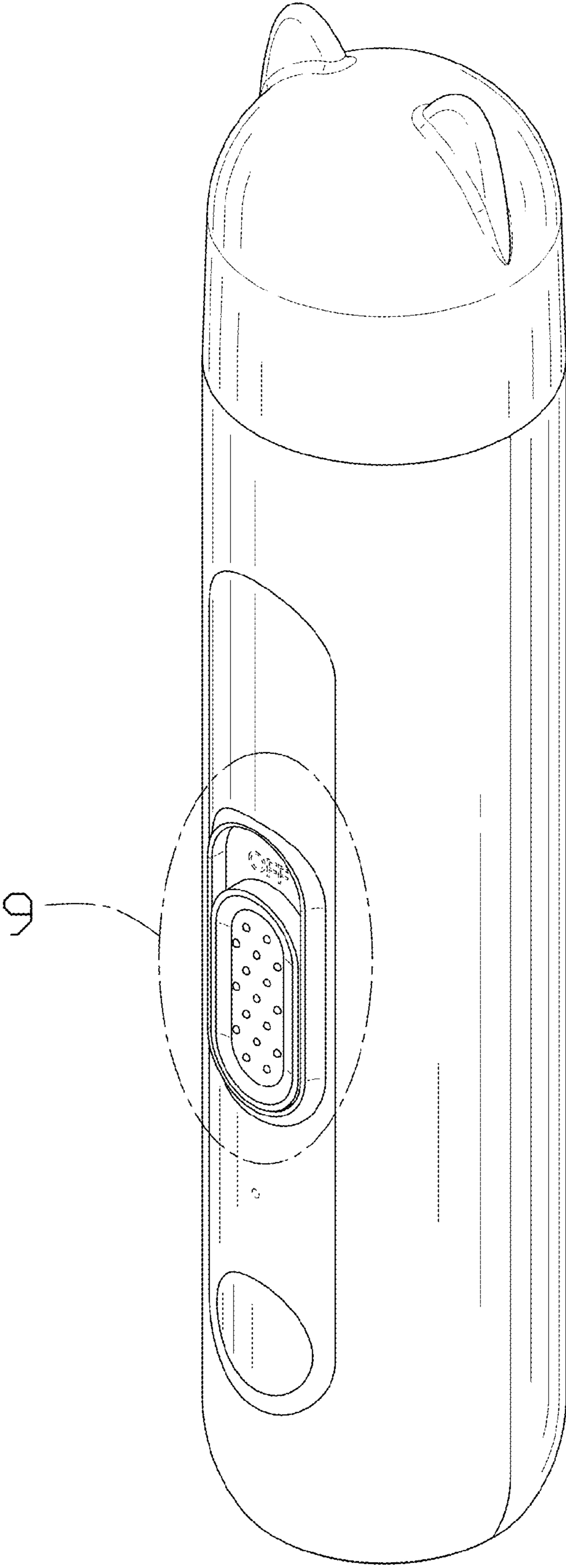


FIG. 1

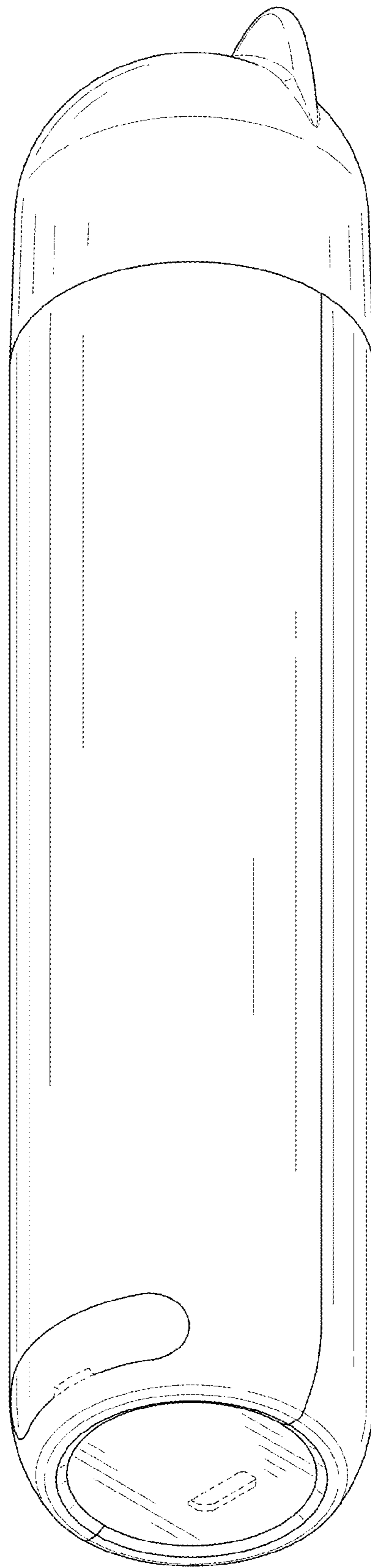


FIG. 2

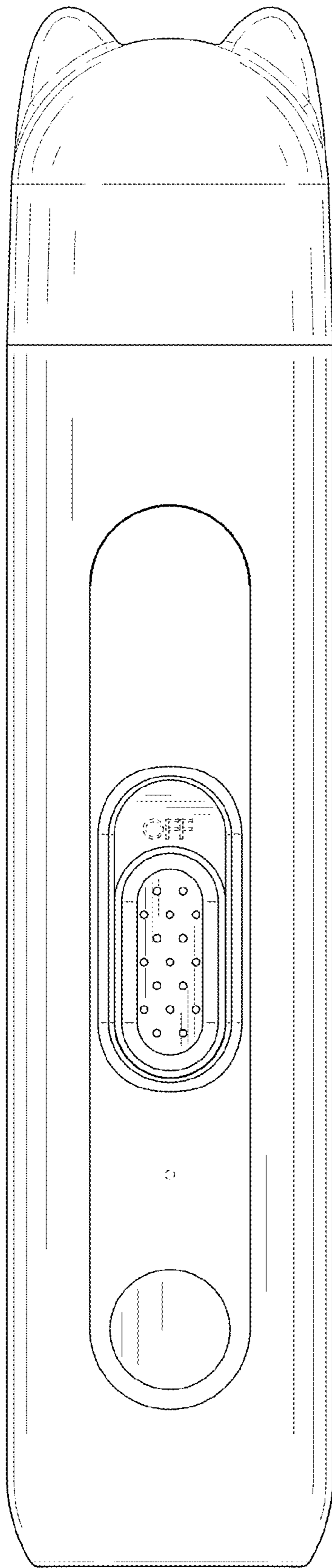


FIG. 3

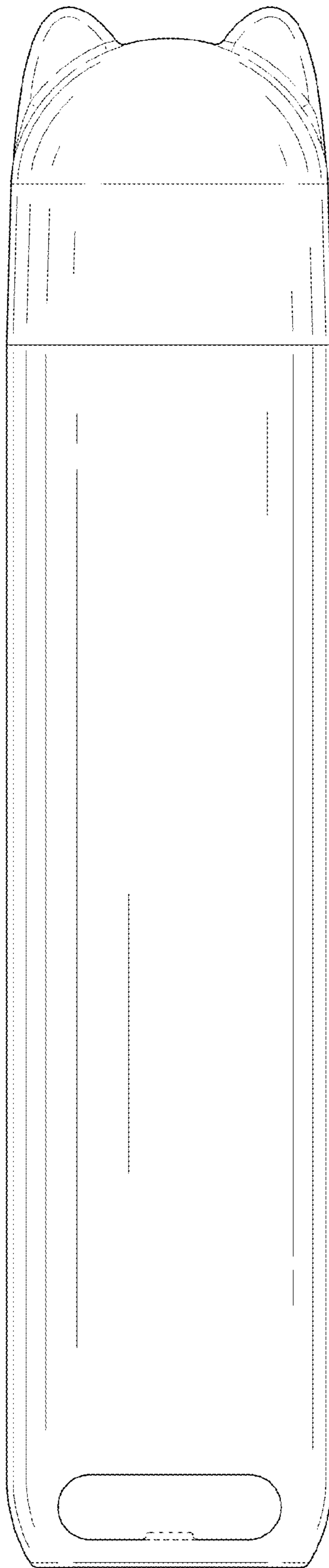


FIG. 4

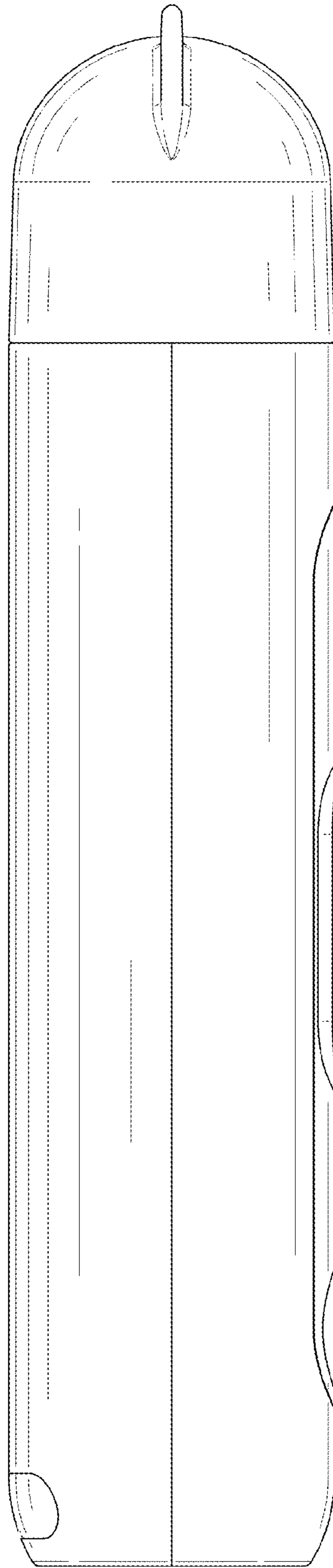


FIG. 5

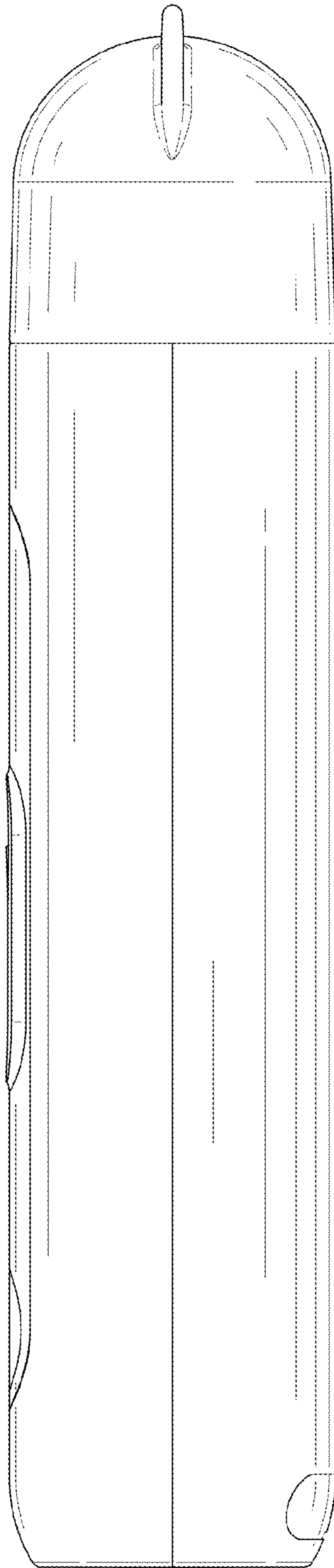


FIG. 6

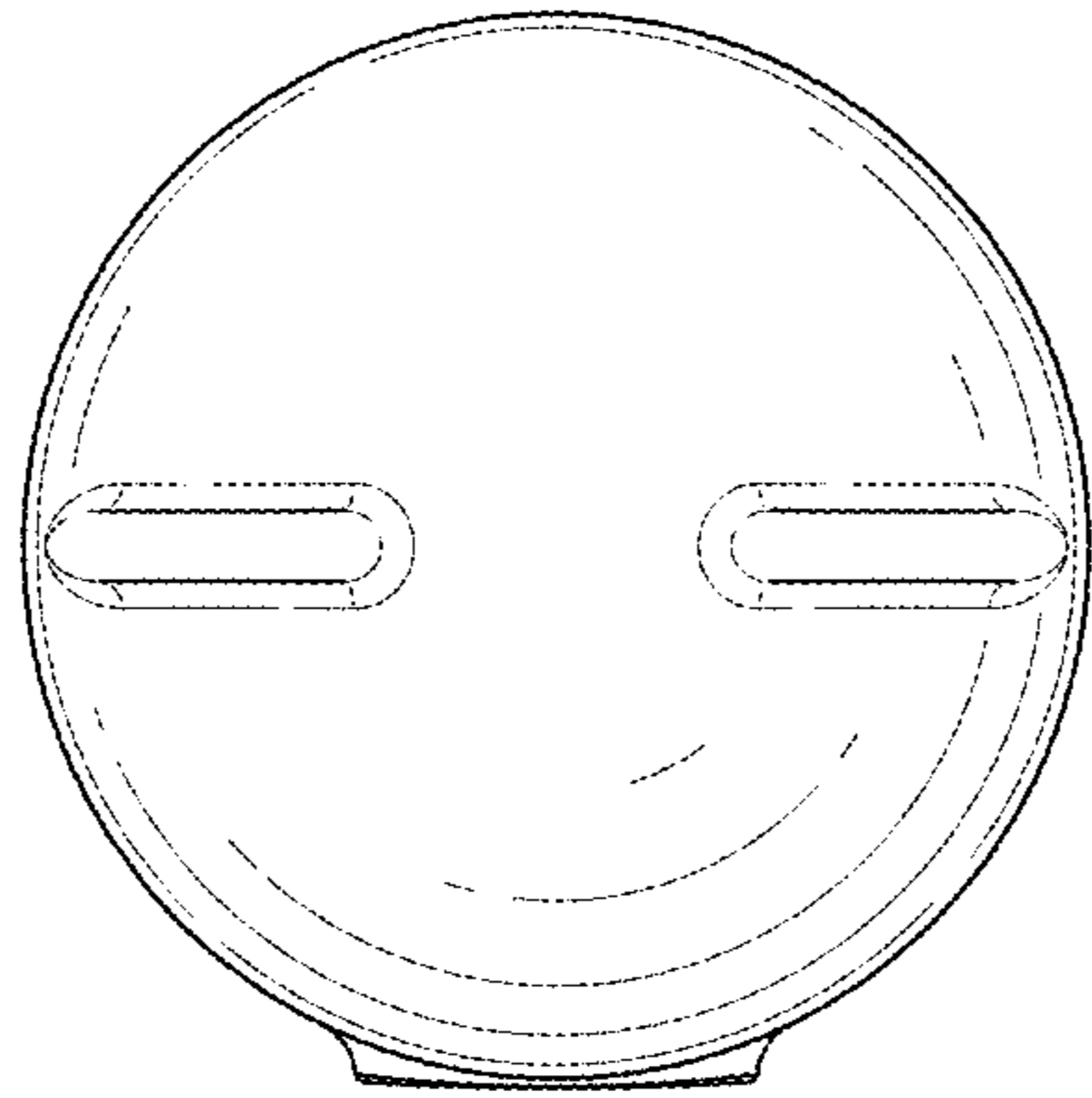


FIG. 7

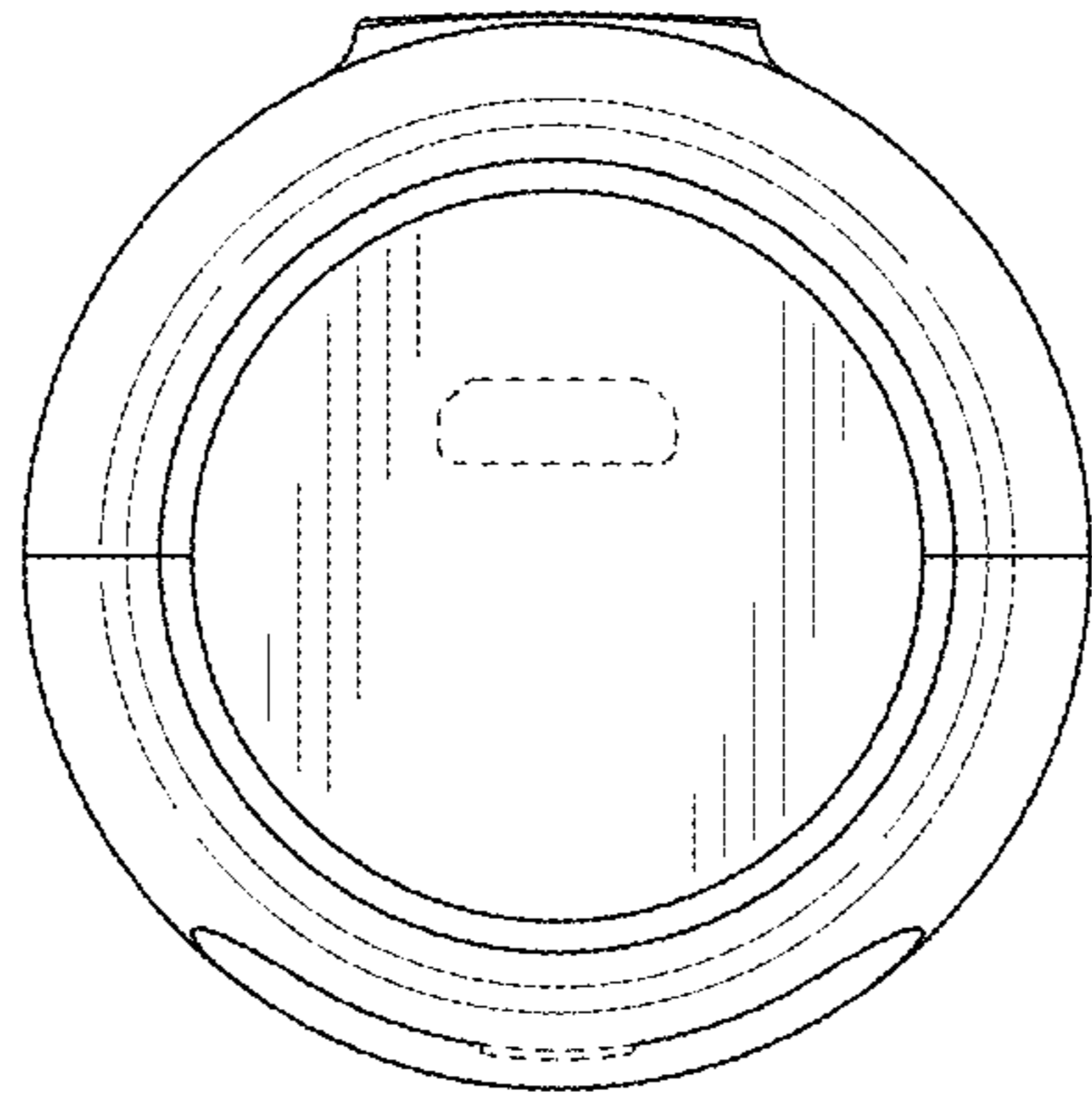


FIG. 8

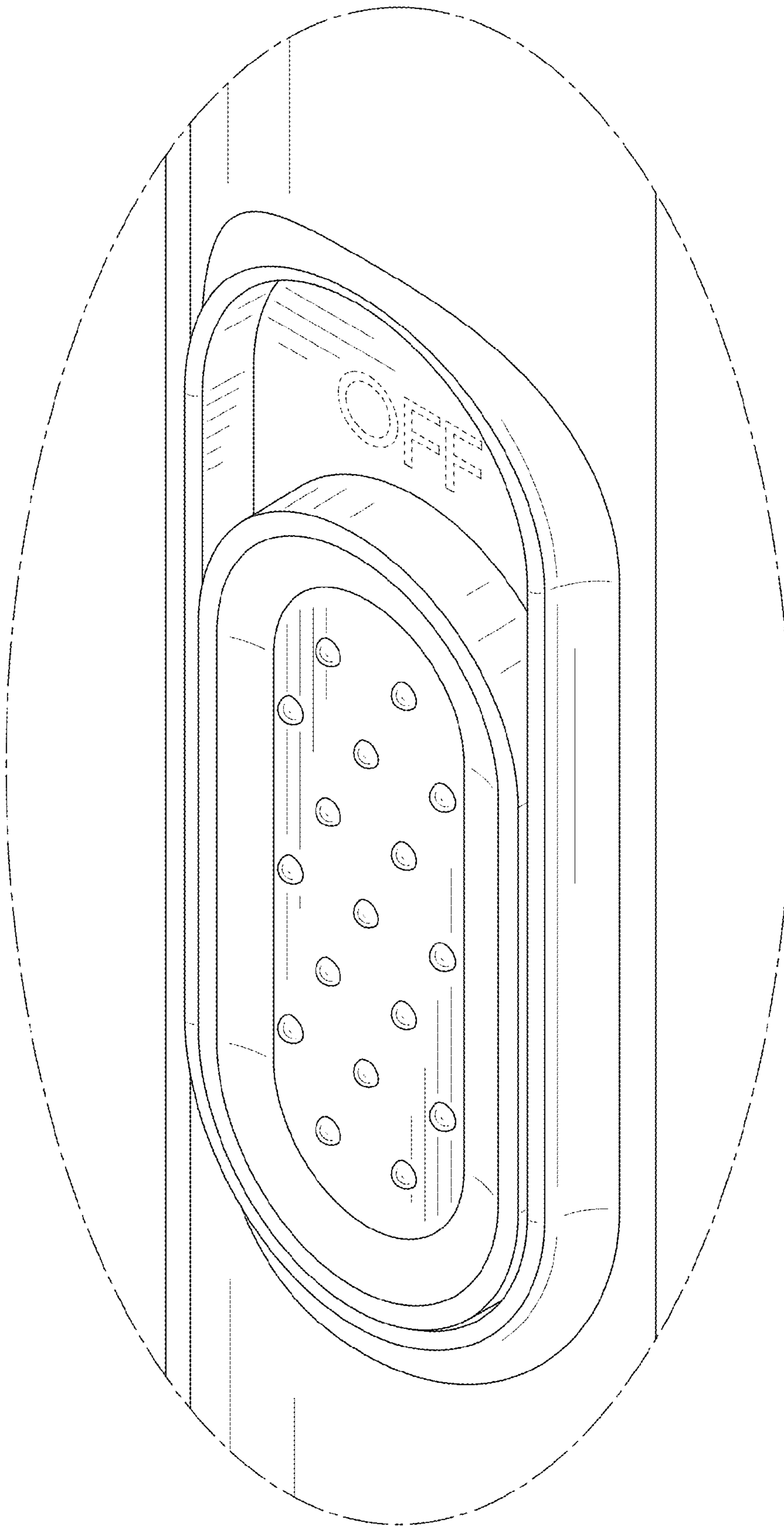


FIG. 9