



US00D917110S

(12) **United States Design Patent**
Guo et al.

(10) **Patent No.:** **US D917,110 S**

(45) **Date of Patent:** **** Apr. 20, 2021**

(54) **PET NAIL GRINDER**

CPC A01K 13/00; A01K 13/001; A45D 29/05;
A45D 29/06; A45D 29/11; A45D 29/14;
A45D 29/00

(71) Applicant: **ZHUHAI KERKES TECHNOLOGY CO., LTD**, Zhuhai (CN)

See application file for complete search history.

(72) Inventors: **Jinpeng Guo**, Zhuhai (CN); **Wei Du**, Zhuhai (CN)

(56) **References Cited**

(73) Assignee: **ZHUHAI KERKES TECHNOLOGY CO., LTD**, Zhuhai (CN)

U.S. PATENT DOCUMENTS

(**) Term: **15 Years**

(21) Appl. No.: **29/759,361**

3,613,696	A *	10/1971	Paule	A45D 29/14 132/73.6
D256,171	S *	7/1980	Tomaro	D28/50
D266,111	S *	9/1982	Doyel	D28/58
D305,806	S *	1/1990	Fujisawa	D28/50
D319,711	S *	9/1991	Fujisawa	D28/50
D423,897	S *	5/2000	Cooper	D8/61
D434,181	S *	11/2000	Watanabe	D28/9
D470,374	S *	2/2003	Murray	D8/61
D472,969	S *	4/2003	Wilden	D24/133
D476,444	S *	6/2003	Hara	D28/50
6,640,811	B2 *	11/2003	Cho	A45D 29/05 132/73.6
D503,495	S *	3/2005	Maeda	D28/53

(22) Filed: **Nov. 23, 2020**

(51) **LOC (13) Cl.** **30-99**

(52) **U.S. Cl.**

USPC **D30/158**

(58) **Field of Classification Search**

USPC D30/158, 199; 119/600, 468, 607-611, 119/627, 633, 663, 601; D28/59, 36, 58, D28/44, 49, 50, 53, 85, 44.1, 51, 63; D8/61, 62, 82, DIG. 7; D24/147, 146, D24/214, 215, 200, 111, 133, 144, 156, D24/186; D4/100-102, 137, 119, 120; 132/73.6, 75.8, 76.4, 73.5, 75.3, 75.6, 132/76.5, 118, 119.1, 75.4, 75.5, 75; 30/26, 29.5, 43, 43.4-43.6, 41.5, 206, 30/133, 276, 29, 277.4, 240, 210, 43.92, 30/392, 167, 329, 169; 15/23, 28, 22.1, 15/101, 65, 104.04, 88, 104.095, 97.1, 15/179; 451/356, 162-164; 452/98; 81/3.42, 177.7, 57.26, 57.11, 58.3; 606/85, 131; 83/698.11, 520; 362/120; 206/368; 392/380, 384; 173/29, 217, 173/216; 310/50; 464/53; 601/70; D15/132; 433/133, 130, 125, 127, 166, 433/126, 132; 279/51, 147; D26/49, 37; D9/723, 529, 530, 548

(Continued)

Primary Examiner — Susan Moon Lee

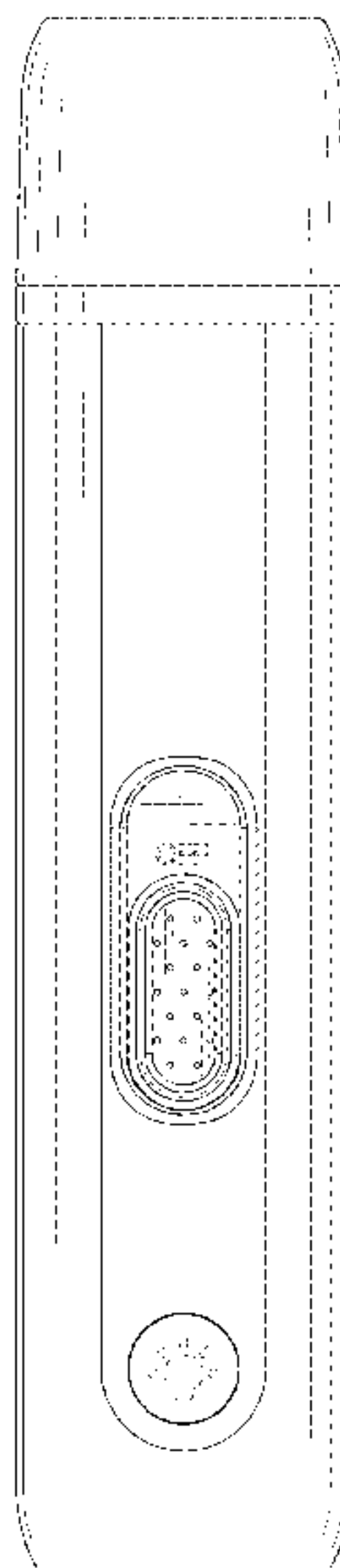
(57) **CLAIM**

The ornamental design for a pet nail grinder, as shown and described.

DESCRIPTION

FIG. 1 is a perspective view of a pet nail grinder showing our new design;
FIG. 2 is another perspective view thereof;
FIG. 3 is a front elevational view thereof;
FIG. 4 is a rear elevational view thereof;
FIG. 5 is a left side elevational view thereof;
FIG. 6 is a right side elevational view thereof;
FIG. 7 is a top plan view thereof;
FIG. 8 is a bottom plan view thereof; and,
FIG. 9 is an enlarged view of portion 9 shown in FIG. 1.
The broken lines in the drawings depict portions of the pet nail grinder that form no part of the claimed design.

1 Claim, 9 Drawing Sheets



(56)

References Cited

U.S. PATENT DOCUMENTS

D508,414 S * 8/2005 Lamb D9/504
 D568,473 S * 5/2008 Ashiwa D24/133
 D592,527 S * 5/2009 Serio D9/529
 D601,873 S 10/2009 Lau
 D611,824 S * 3/2010 Akkermans D9/529
 8,469,039 B2 * 6/2013 Jackson A45D 29/05
 132/200
 D686,510 S * 7/2013 Zerba D9/726
 D698,248 S * 1/2014 Lambrecht D9/522
 D711,714 S * 8/2014 Sawaya D8/61
 8,894,312 B2 * 11/2014 Toh A45D 34/041
 401/209
 8,894,313 B2 * 11/2014 Toh A45D 34/041
 401/209
 D736,999 S * 8/2015 Yiu D28/58
 D768,334 S * 10/2016 Langberg D28/58
 D768,931 S * 10/2016 Langberg D28/58
 D768,932 S * 10/2016 Langberg D28/58
 D769,529 S * 10/2016 Langberg D28/58
 D781,496 S * 3/2017 Butler D28/58
 D788,980 S * 6/2017 Yiu D28/58
 D788,982 S * 6/2017 Yiu D28/58

D843,800 S * 3/2019 Jiang D8/61
 D850,638 S * 6/2019 Cha D24/200
 D860,470 S * 9/2019 Li D24/214
 D876,730 S 2/2020 He
 D907,313 S * 1/2021 Tu D30/158
 D909,689 S * 2/2021 Xu D30/158
 D910,937 S * 2/2021 Wei D30/158
 2003/0102002 A1 * 6/2003 Cho A45D 29/05
 132/73.6
 2006/0150992 A1 * 7/2006 Nevakshonoff B24B 23/02
 132/73.6
 2006/0289025 A1 * 12/2006 Nevakshonoff B24B 23/02
 132/73.6
 2008/0255586 A1 * 10/2008 Greenberg A61B 17/54
 606/131
 2011/0226270 A1 * 9/2011 Rivera A45D 29/05
 132/73.6
 2015/0150352 A1 * 6/2015 Yiu A61B 17/54
 132/75.8
 2015/0150353 A1 * 6/2015 Yiu A45D 29/14
 132/75.6
 2016/0029768 A1 * 2/2016 Dai A45D 29/02
 30/27

* cited by examiner

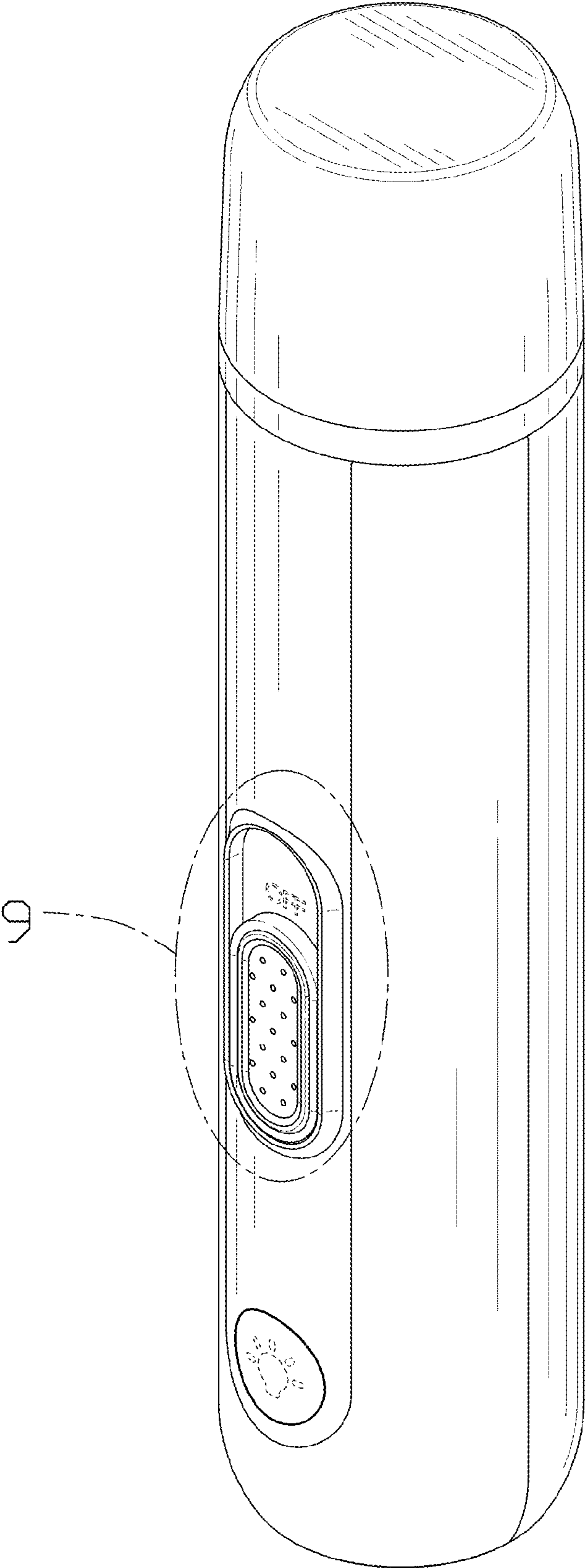


FIG. 1

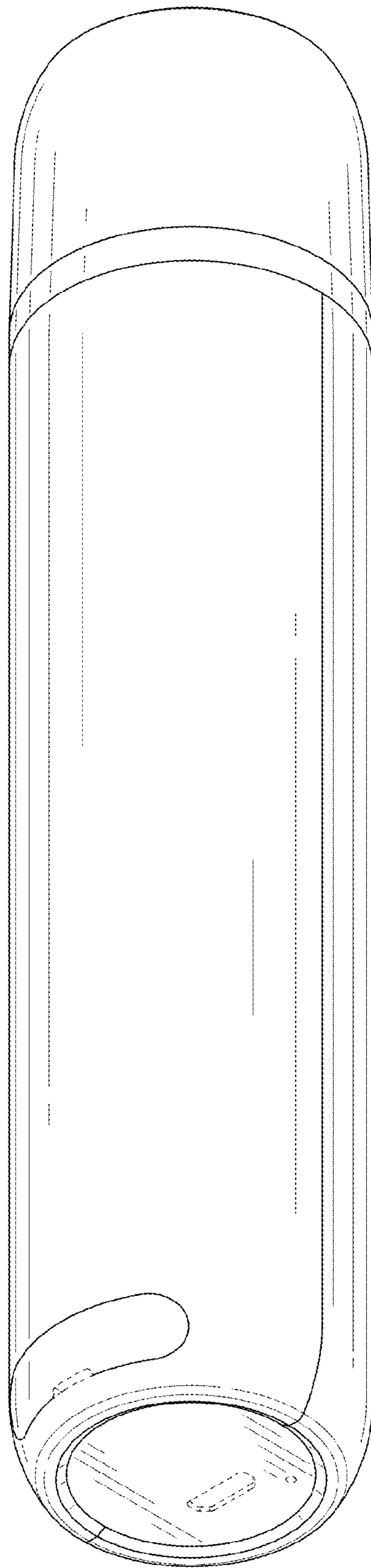


FIG. 2

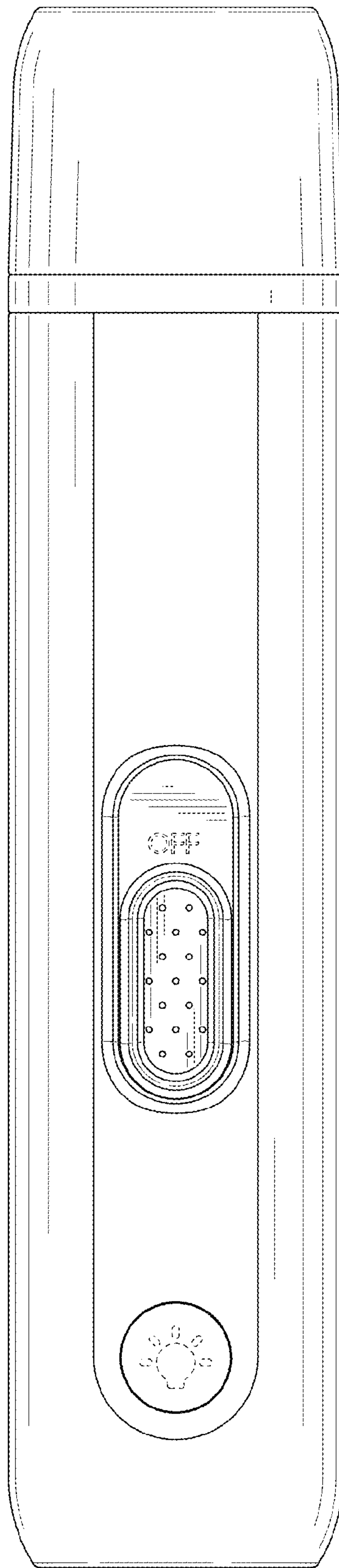


FIG. 3

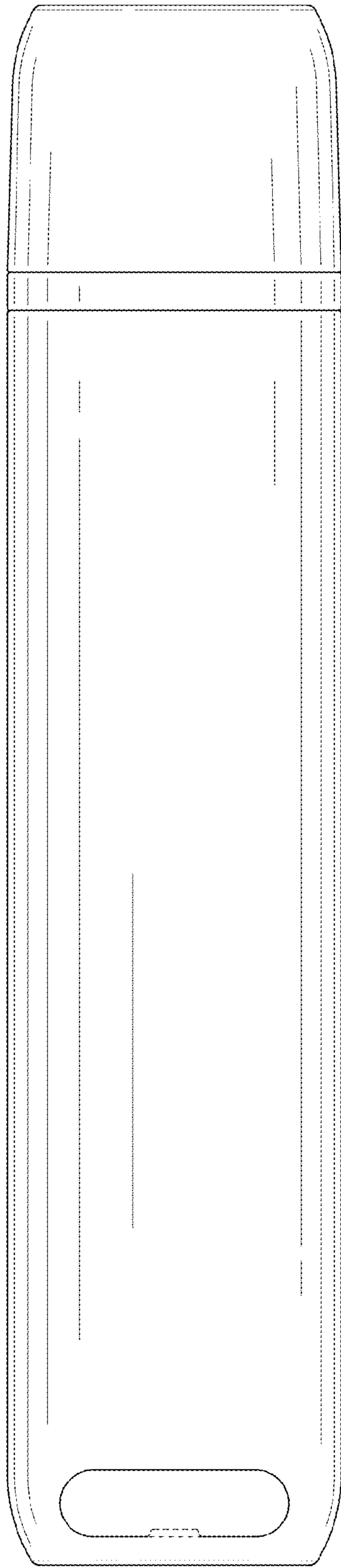


FIG. 4

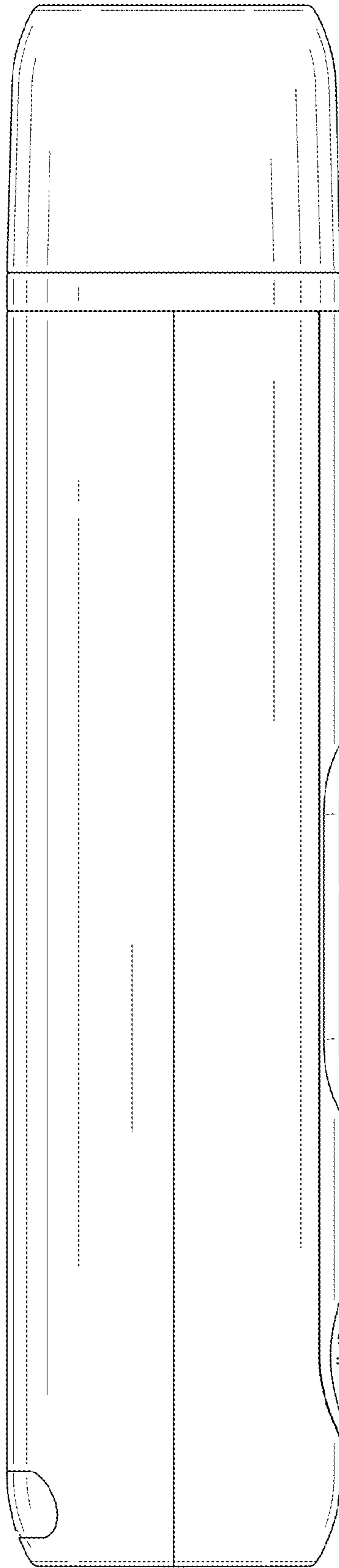


FIG. 5

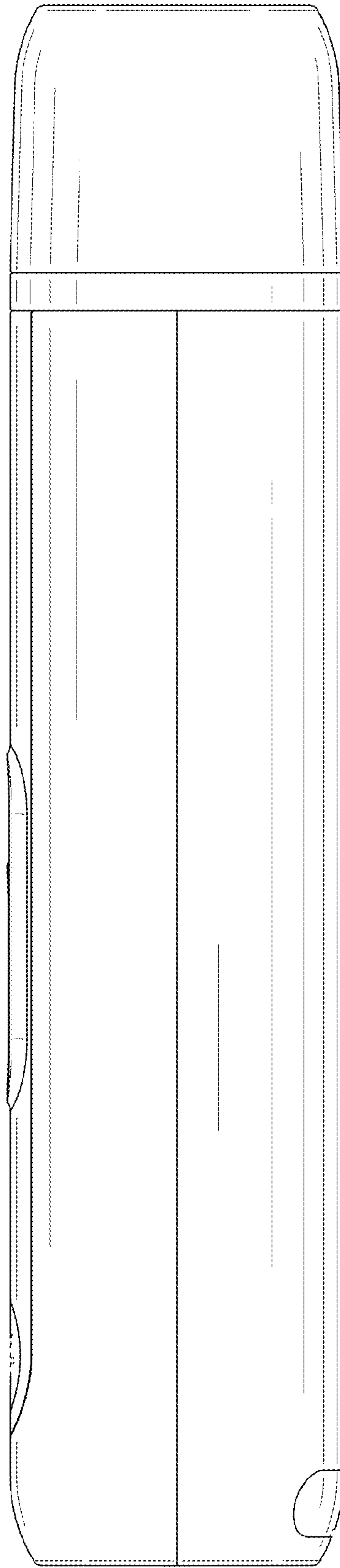


FIG. 6

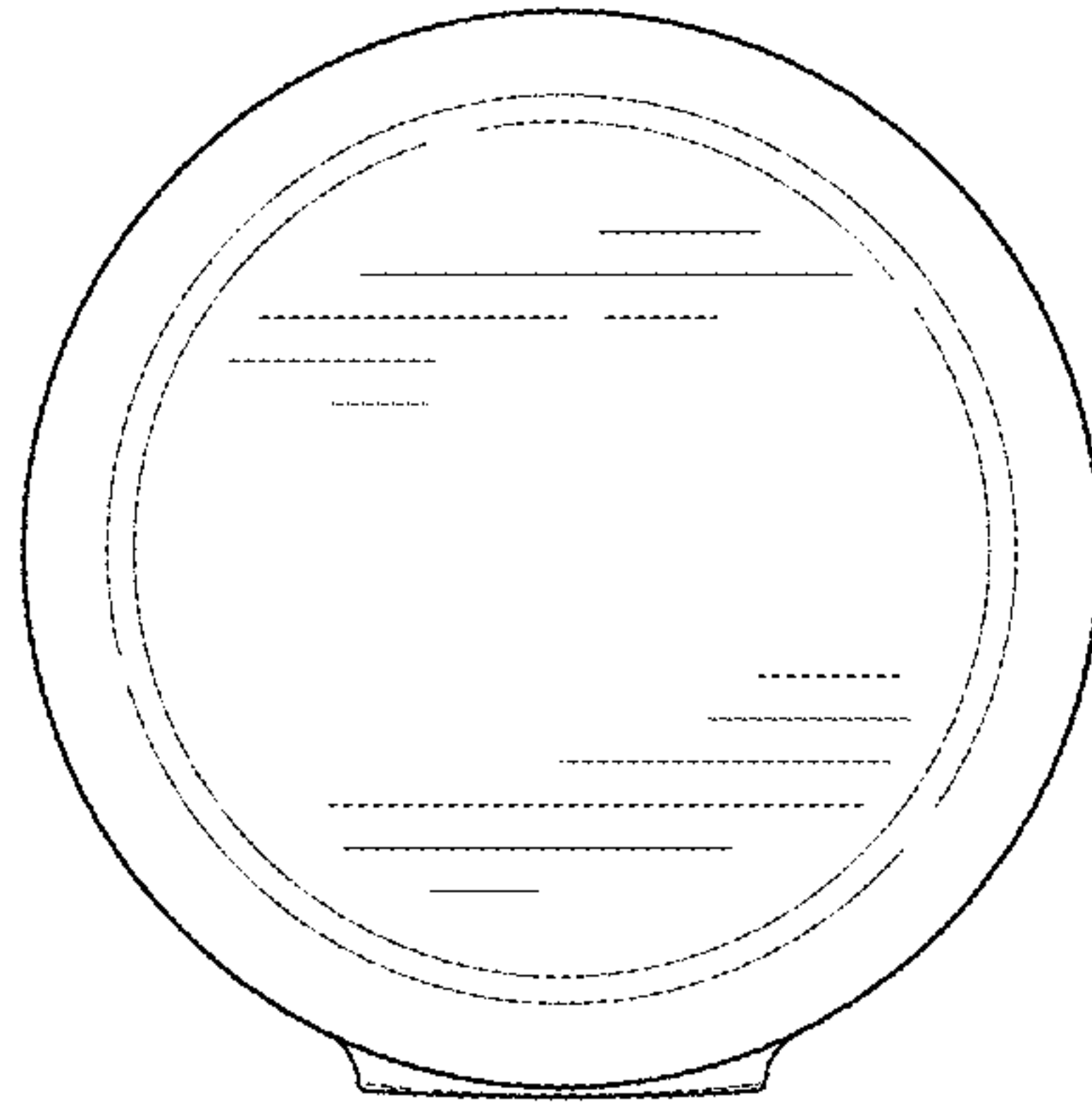


FIG. 7

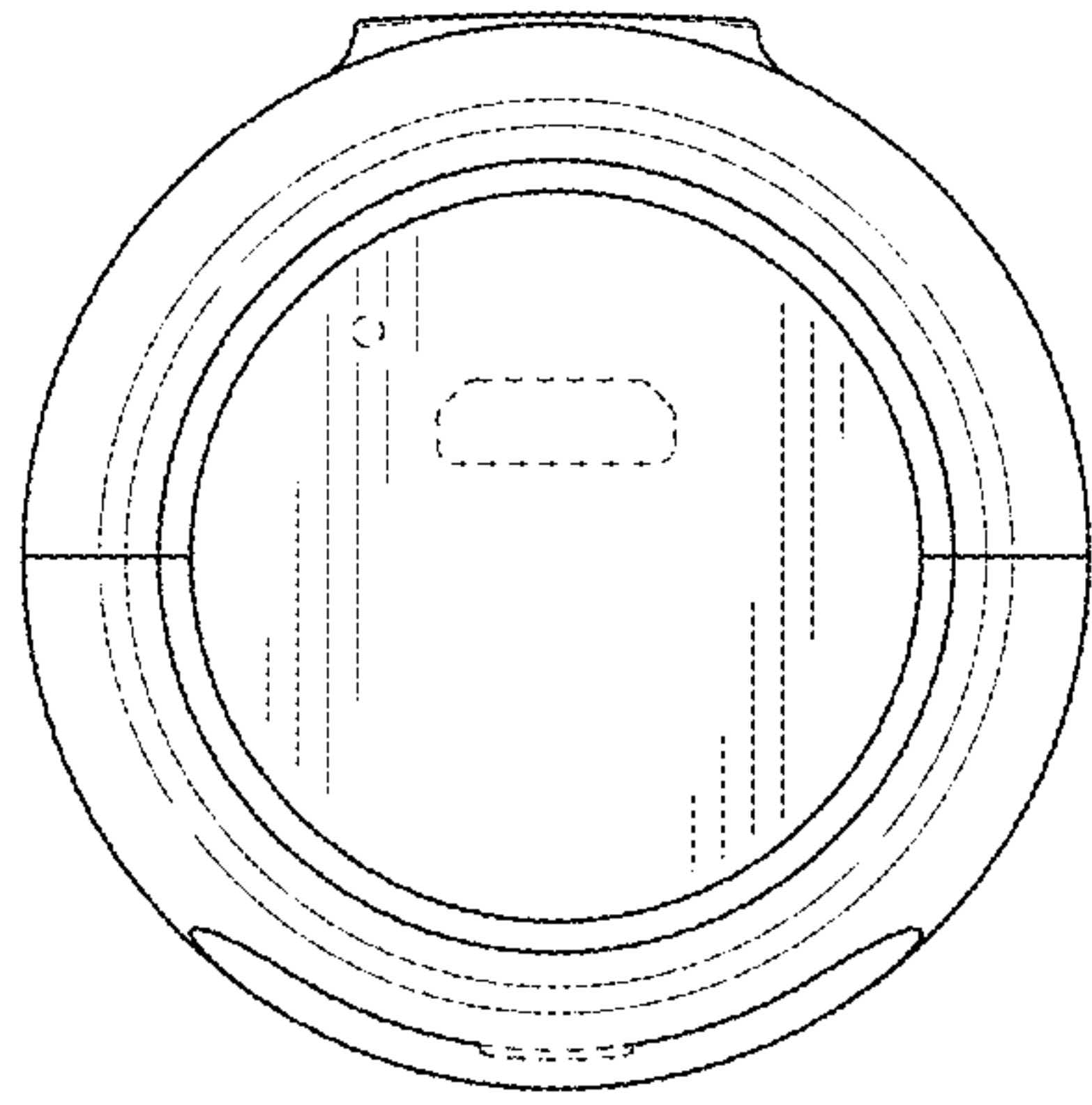


FIG. 8

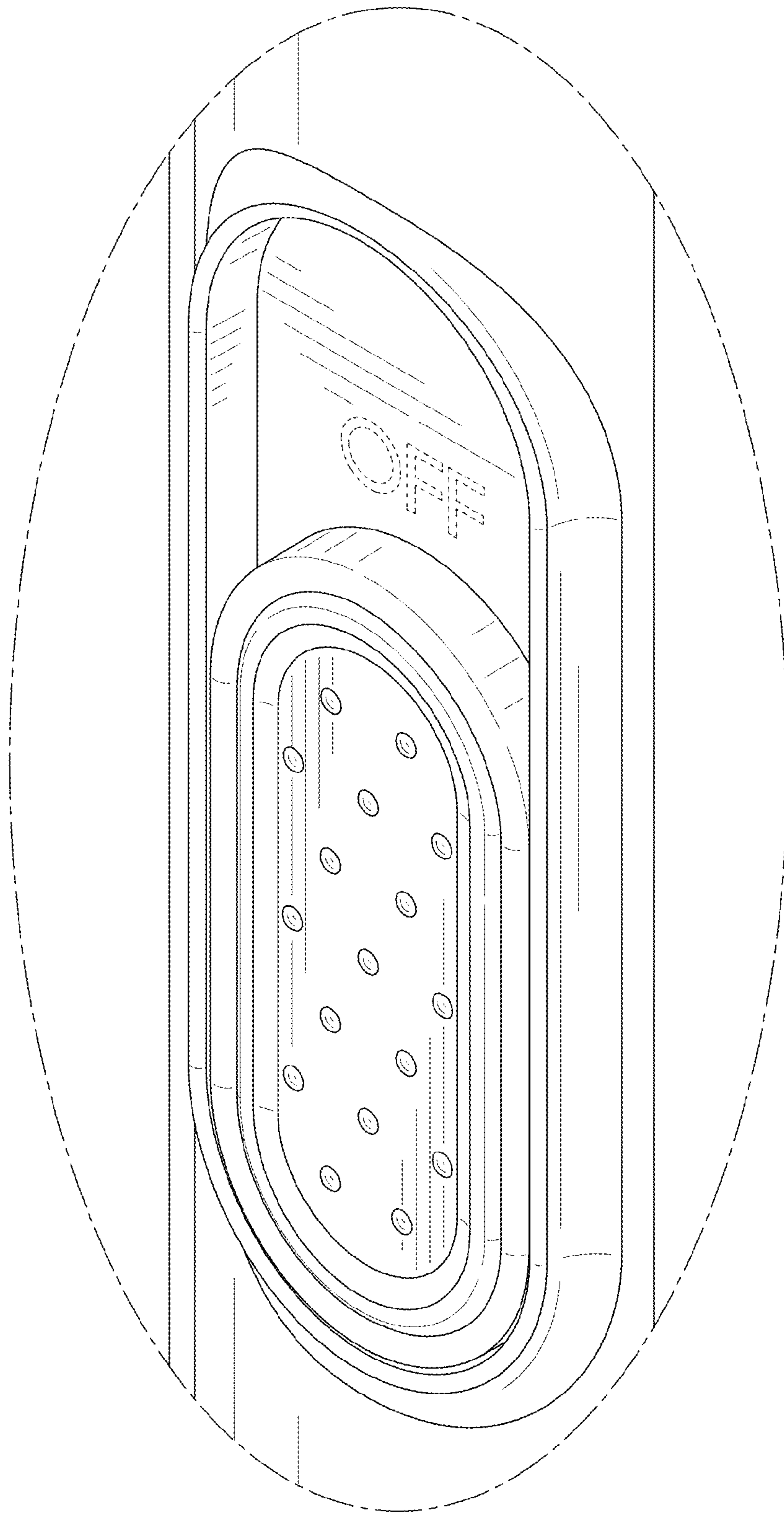


FIG. 9