



US00D917108S

(12) **United States Design Patent** (10) **Patent No.:** **US D917,108 S**
Xie (45) **Date of Patent:** **** Apr. 20, 2021**

(54) **PET WATER BOTTLE**

(71) Applicant: **Ke Xie**, Shenzhen (CN)

(72) Inventor: **Ke Xie**, Shenzhen (CN)

(**) Term: **15 Years**

(21) Appl. No.: **29/762,074**

(22) Filed: **Dec. 15, 2020**

(51) **LOC (13) Cl.** **30-03**

(52) **U.S. Cl.**

USPC **D30/132**; D30/121; D30/129

(58) **Field of Classification Search**

USPC D30/121-133; 119/51.01, 61, 51.04, 53, 119/57.91, 54, 53.5, 52.4, 51.11, 63, 61.2, 119/52.1, 57.5, 57.6, 51.13, 62, 75, 500, 119/501, 72, 72.5, 74, 78-81; 239/7, 239/687, 379, 397.5; 222/199, 181.1, 222/181.2, 185.1, 557, 156, 485, 486, 222/548, 555, 207, 205, 424, 438, 48, 222/206, 212, 215, 460, 461, 525, 86, 89; 220/200, 227, 247, 262, 694, 700, 701, 220/703, 660-662, 521, 705, 709, 287, 220/523, 574; 221/174, 185.1, 289, 295, 221/296, 559; 454/35; 209/270, 283, 209/244; 52/194, 192; 49/279, 344, 357; D34/28; D9/417, 414, 424, 428, 436, D9/440, 442, 447, 456, 454, 455, 730, D9/731, 733, 715, 531, 549, 516, 523, D9/530, 538, 541, 544, 559, 719, 716; D7/589, 300, 300.1, 302-305, 312, 316, D7/317, 507-512, 523, 524, 528, 700; D3/132, 201, 203.2, 202, 228, 229, 269, D3/274, 316, 321, 328; D15/143, 199; D28/4, 7, 9; D19/66; 141/343, 331, 340, 141/384, 330, 332, 383, 311 R, 313, 338, 141/344, 345; 210/455; 215/228, 231, 215/235, 319-383, 386, DIG. 7, 388, 6, 215/316; 4/258, 259, 267; 206/459.1, 206/459.5, 501

CPC . A01K 7/00; A01K 7/005; A01K 7/02; A01K 7/022; A01K 7/06; A01K 39/0213; A01K 39/02; B65D 41/26; B65D 41/265; B65D 41/28; B65D 41/32; B65D 41/325; B65D 41/34; B65D 41/56; B65D 51/20; B65D 51/249; B65D 51/24; B65D 51/28; B65D 47/243; B65D 2205/04; B65D 21/0238; B65D 81/3205; B65D 81/3216; B65D 71/50; B65D 77/2024; B65D 43/0212; B65D 2517/0049; B65D 2543/00046; B65D 2543/00092; B65D 2543/00537; B65D 2543/00731; B65D

(Continued)

(56) **References Cited**

U.S. PATENT DOCUMENTS

5,377,879 A * 1/1995 Isaacs A61J 7/0023
222/192
5,441,017 A * 8/1995 Lindsay A01K 27/003
119/161

(Continued)

Primary Examiner — Susan Moon Lee

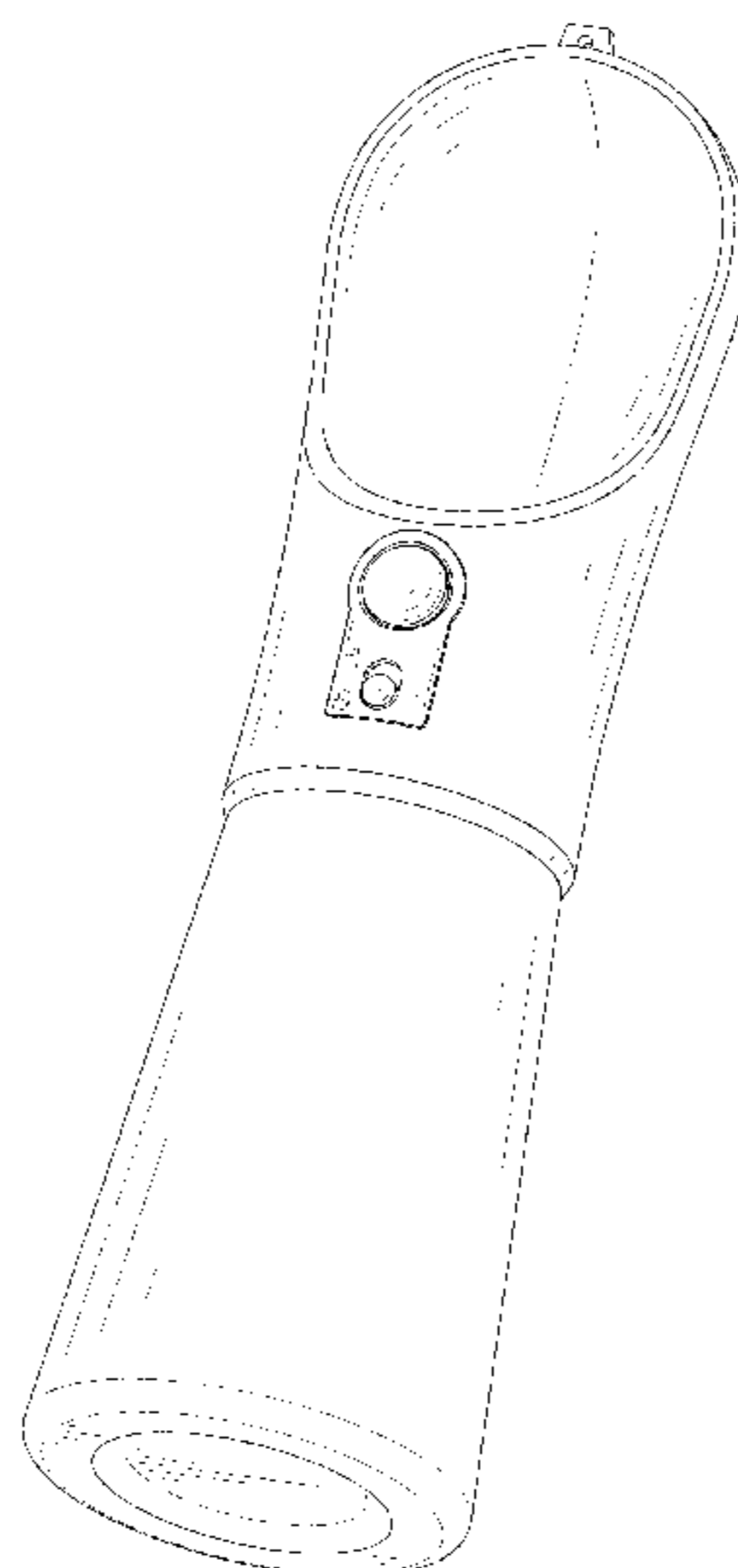
(57) **CLAIM**

The ornamental design for a pet water bottle, as shown and described.

DESCRIPTION

FIG. 1 is a perspective view of a pet water bottle showing my new design;
FIG. 2 is another perspective view thereof;
FIG. 3 is a front elevational view thereof;
FIG. 4 is a rear elevational view thereof;
FIG. 5 is a left side elevational view thereof;
FIG. 6 is a right side elevational view thereof;
FIG. 7 is a top plan view thereof; and,
FIG. 8 is a bottom plan view thereof.
The broken lines in the drawings depict portions of the pet water bottle that form no part of the claimed design.

1 Claim, 8 Drawing Sheets



(58) **Field of Classification Search**
 CPC 2543/00796; B65D 2577/205; A61J 9/00;
 A61J 9/006; A61J 9/001; A61J 9/003;
 A61J 11/04; A61J 19/00; B65B 39/00;
 B65B 39/001; B65B 39/005; B65B
 39/007; B67C 11/02; G01F 11/286; B67B
 7/28; A47G 19/2266
 See application file for complete search history.

(56) **References Cited**

U.S. PATENT DOCUMENTS

D400,316 S * 10/1998 Kolterman D30/132
 6,279,233 B1 * 8/2001 Cameron A61J 7/0023
 30/125
 6,295,735 B1 * 10/2001 Barger A61J 7/0023
 206/438
 D488,226 S * 4/2004 MacDonald D24/122
 7,047,648 B1 * 5/2006 LeBel A47G 21/181
 30/141
 D545,640 S * 7/2007 Ridsen D7/653
 D562,503 S * 2/2008 Zutis D30/121
 D565,193 S * 3/2008 Price D24/224
 D580,715 S * 11/2008 Finell D7/643
 D594,353 S * 6/2009 Kortleven D10/46.3
 7,562,796 B2 * 7/2009 Zahn A61J 1/067
 215/11.4

8,020,303 B1 * 9/2011 Marsh A47G 21/004
 30/324
 D670,134 S * 11/2012 Di Lollo D7/507
 D684,432 S * 6/2013 Stein D7/607
 D728,169 S * 4/2015 Yacov D30/121
 D729,583 S * 5/2015 Lapsker D7/510
 9,351,475 B2 * 5/2016 Yacov A01K 7/00
 9,789,028 B2 * 10/2017 Leffler A61J 7/0023
 D806,568 S * 1/2018 Chen D9/719
 10,251,468 B1 * 4/2019 Moore B65D 41/58
 D854,378 S * 7/2019 Breit D7/507
 D861,258 S 9/2019 Liang
 D863,694 S 10/2019 Pan
 D871,839 S * 1/2020 Sun D7/507
 D892,412 S * 8/2020 Guo D30/121
 2004/0006874 A1 * 1/2004 Kamm B65D 51/246
 30/141
 2008/0072433 A1 * 3/2008 Ohring B65D 83/06
 30/125
 2008/0087224 A1 * 4/2008 Wechsler A01K 7/00
 119/52.1
 2014/0360434 A1 * 12/2014 Yacov A01K 5/0114
 119/51.5
 2015/0298867 A1 * 10/2015 Sanderson A47G 19/2266
 215/6
 2019/0216052 A1 * 7/2019 Yang A01K 7/00
 2021/0068367 * 3/2021 Gong A01K 7/00

* cited by examiner

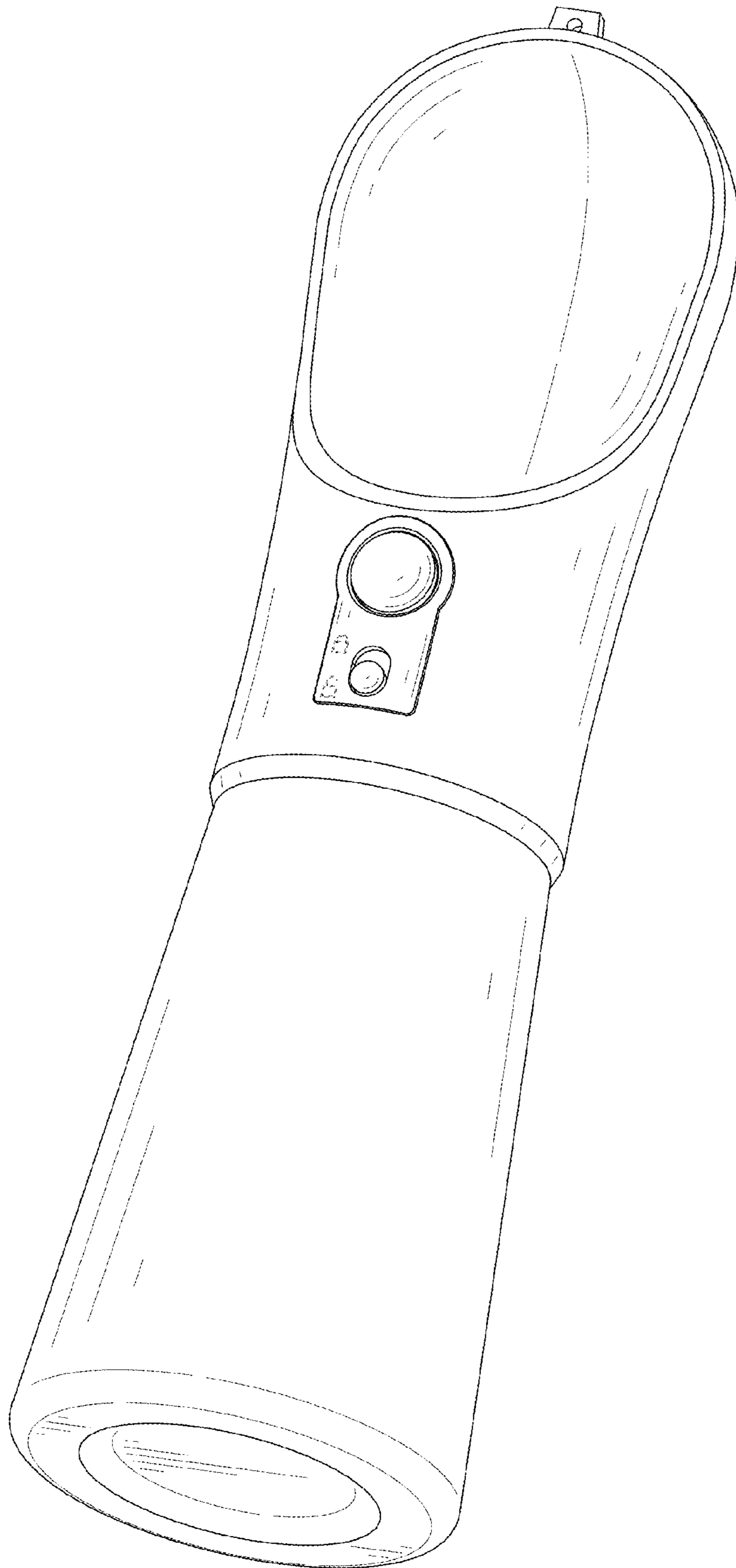


FIG. 1

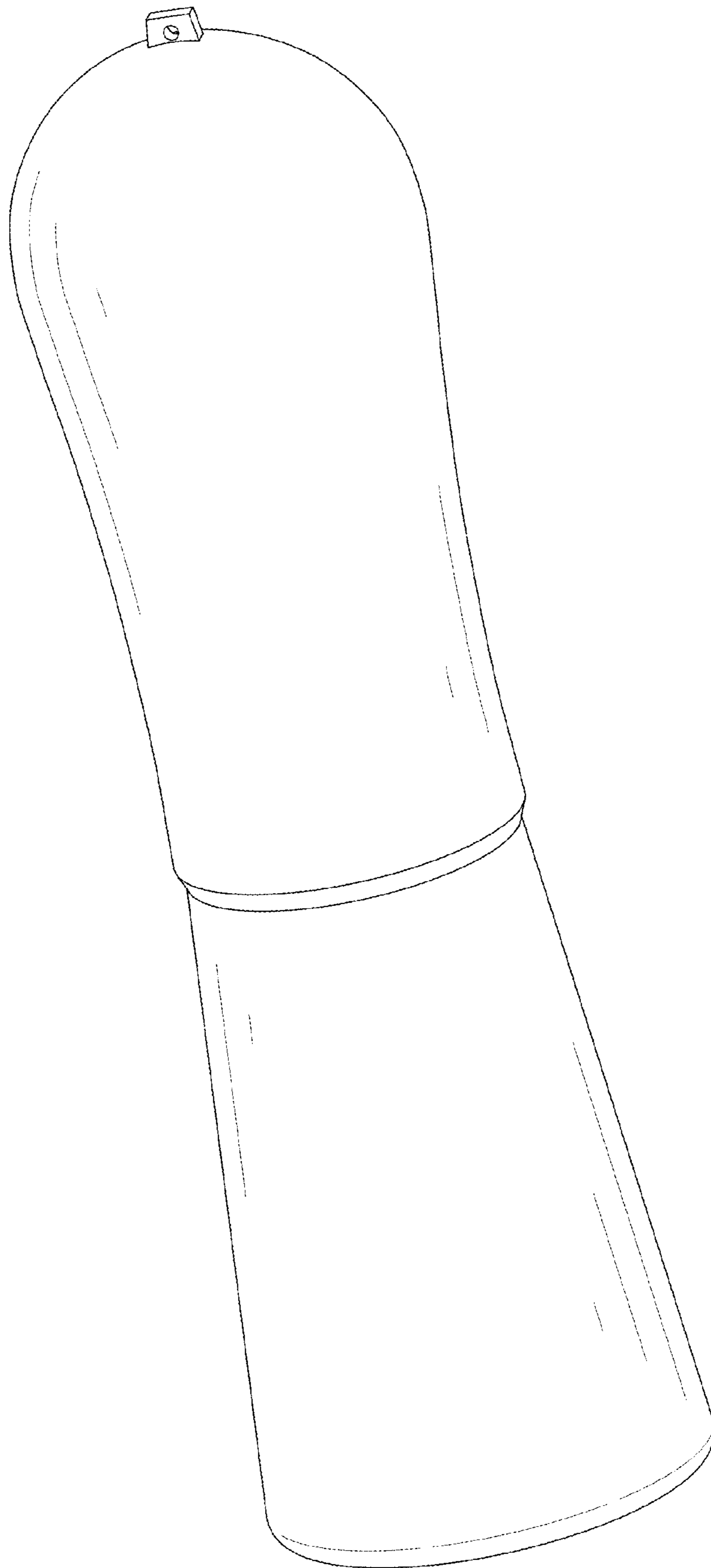


FIG. 2

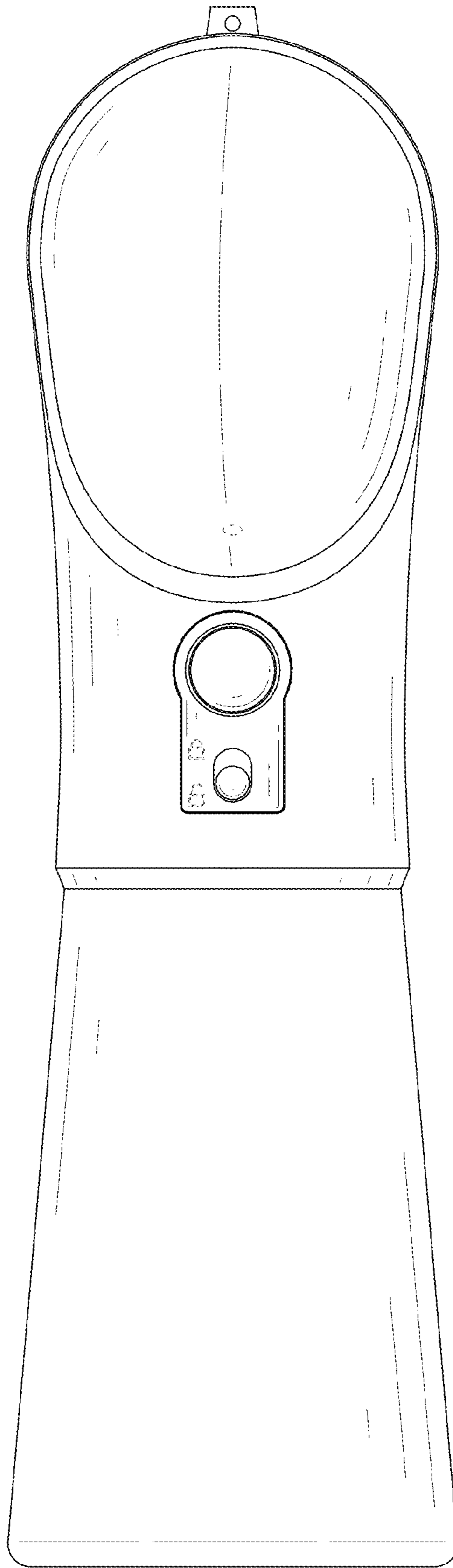


FIG. 3

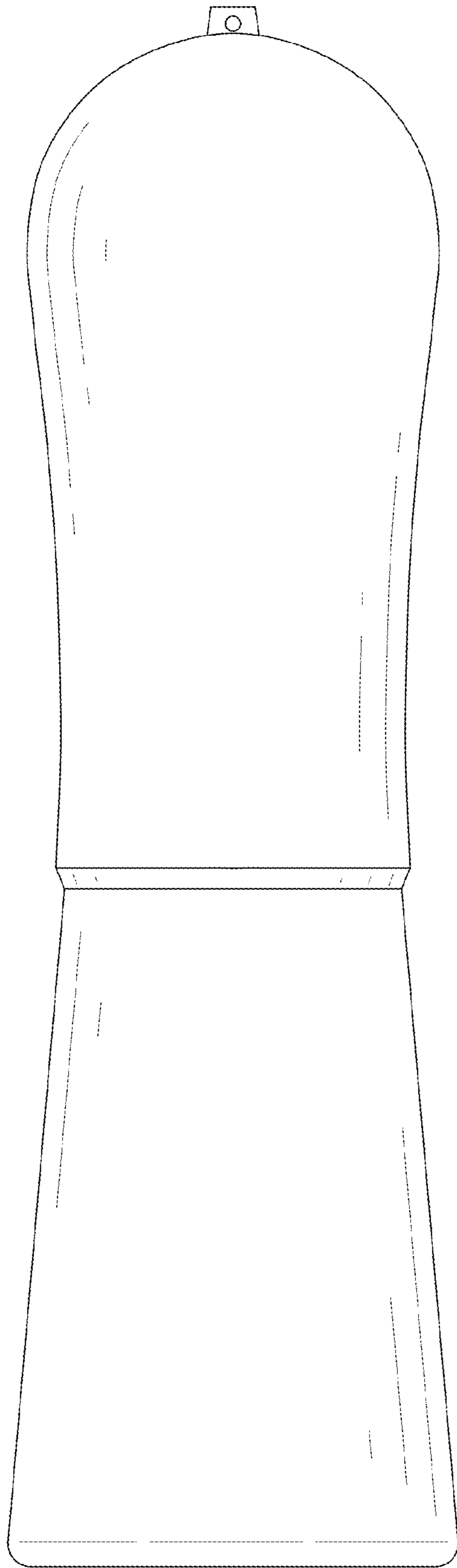


FIG. 4

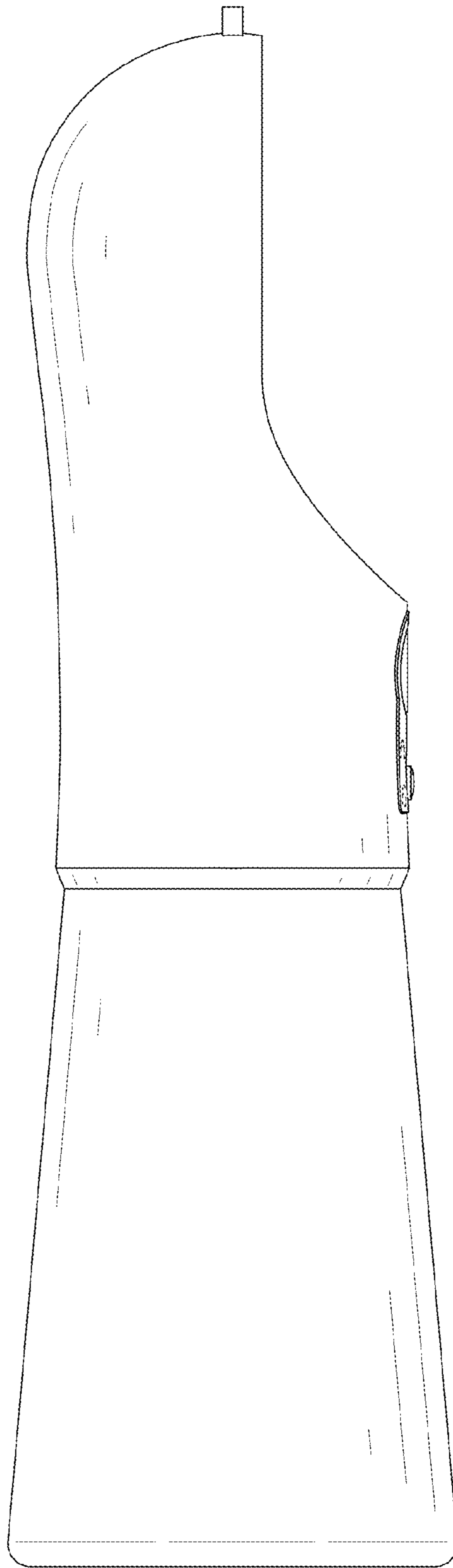


FIG. 5

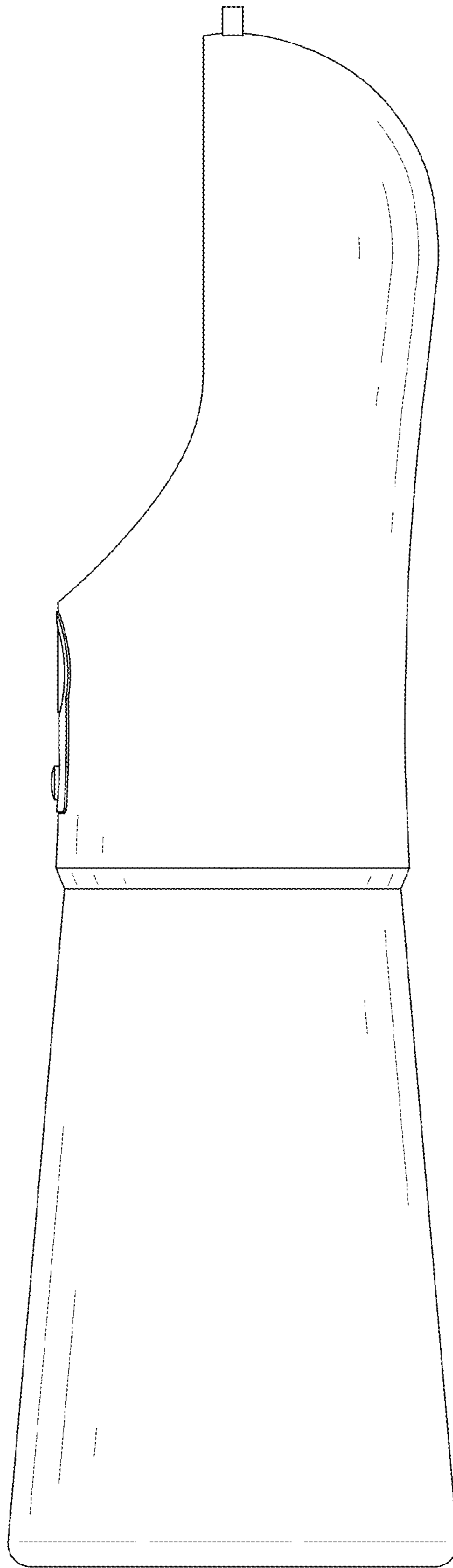


FIG. 6

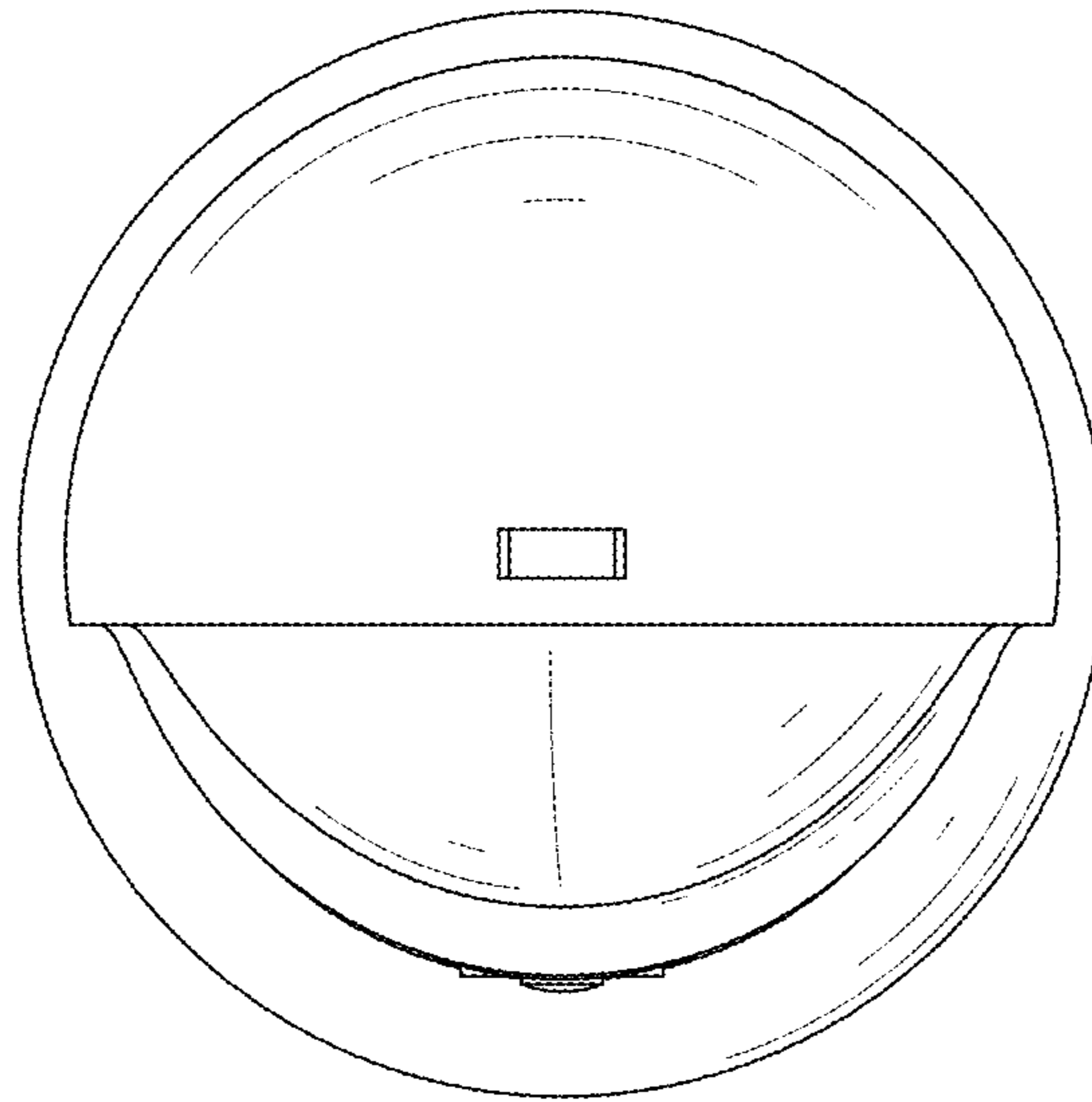


FIG. 7

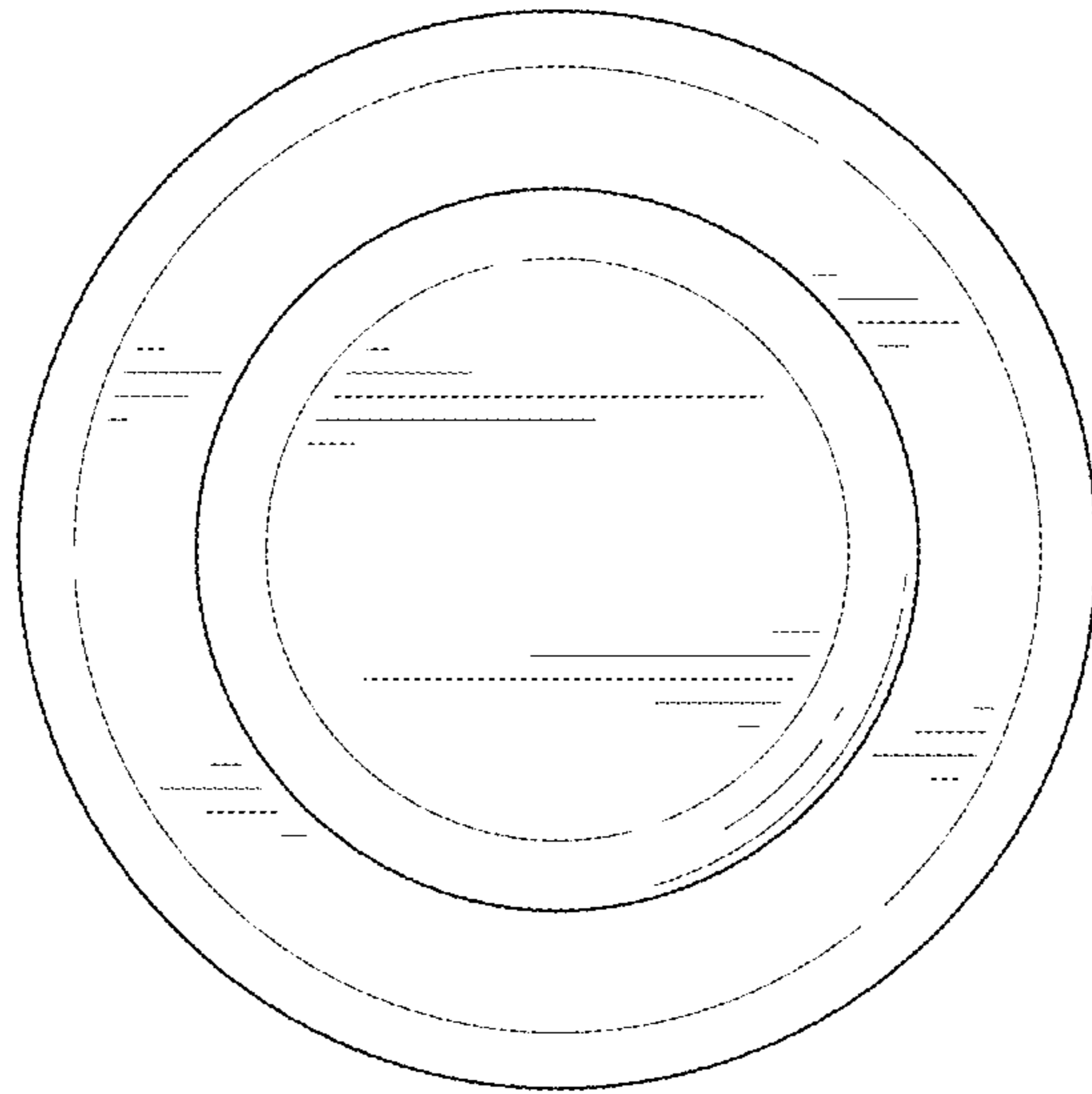


FIG. 8