



US00D917107S

(12) **United States Design Patent** (10) **Patent No.:** **US D917,107 S**  
**Chen et al.** (45) **Date of Patent:** **\*\* Apr. 20, 2021**

(54) **AUTOMATIC WATER DISPENSER FOR PET**

(71) Applicant: **Dogness Group LLC**, Plano, TX (US)

(72) Inventors: **Silong Chen**, Dongguan (CN); **Yunhao Chen**, Plano, TX (US)

(\*\*) Term: **15 Years**

(21) Appl. No.: **29/685,161**

(22) Filed: **Mar. 27, 2019**

(30) **Foreign Application Priority Data**

Jan. 21, 2019 (CN) ..... 201930030819.6

(51) **LOC (13) Cl.** ..... **30-03**

(52) **U.S. Cl.**  
USPC ..... **D30/132; D30/122**

(58) **Field of Classification Search**  
USPC ..... D30/123, 129, 132, 121; 119/69.5, 673, 119/57.8, 68, 74, 61.57, 78-81, 61.4, 119/57.9, 51.5, 61.5, 72, 475; 47/66.6, 47/39, 67, 83; 239/280, 200, 281, 280.5, 239/273, 16-32; 4/644, 627, 638; D7/558; D11/144, 145, 153; D99/5, 24; 27/1; D23/201, 292, 204, 205, 214-216; 248/127, 132, 137, 138, 158, 910; 215/10; D6/353, 352, 484, 360, 480, D6/488; 219/521; 329/442, 459; 99/452, 483; 40/406, 407; 261/29, 106, 261/73; 137/560, 563, 801; 55/385.2; 417/527, 313; 431/292-294, 289; 362/101; D26/6, 9

CPC ... A01K 7/00; A01K 7/02; A01K 7/06; A01K 7/04; A01K 7/005; A01K 7/022; A01K 7/025; A01K 7/027; A01K 5/0216; A01K 39/02; F04B 23/00; F04B 23/02; F04B 23/021; F04B 23/026; B05B 17/08; B05B 17/085; B01D 35/30; Y10T 137/86035; Y10T 137/8376; Y10T 137/85954-85978

See application file for complete search history.

(56) **References Cited**

U.S. PATENT DOCUMENTS

D196,777 S *	11/1963	Haynes	.....	D30/132
4,286,546 A *	9/1981	Moore	.....	A01K 7/005
				119/61.54
4,587,930 A *	5/1986	Trego	.....	A01K 5/0135
				119/61.57
D285,498 S *	9/1986	Thibault	.....	D30/132
4,705,216 A *	11/1987	Kafka	.....	F21S 8/00
				239/18
5,036,800 A *	8/1991	Lischka	.....	A01K 7/04
				119/75
5,231,953 A *	8/1993	Garrett	.....	A01K 7/027
				119/61.52
D383,571 S *	9/1997	Frodsham	.....	D30/108
6,390,323 B1 *	5/2002	Alticosalian	.....	A01K 5/0128
				220/495.03
7,270,082 B2 *	9/2007	Plante	.....	A01K 7/02
				119/74
D576,249 S *	9/2008	Camacho	.....	D23/201
D584,430 S *	1/2009	Furner	.....	D26/9

(Continued)

*Primary Examiner* — Susan Moon Lee

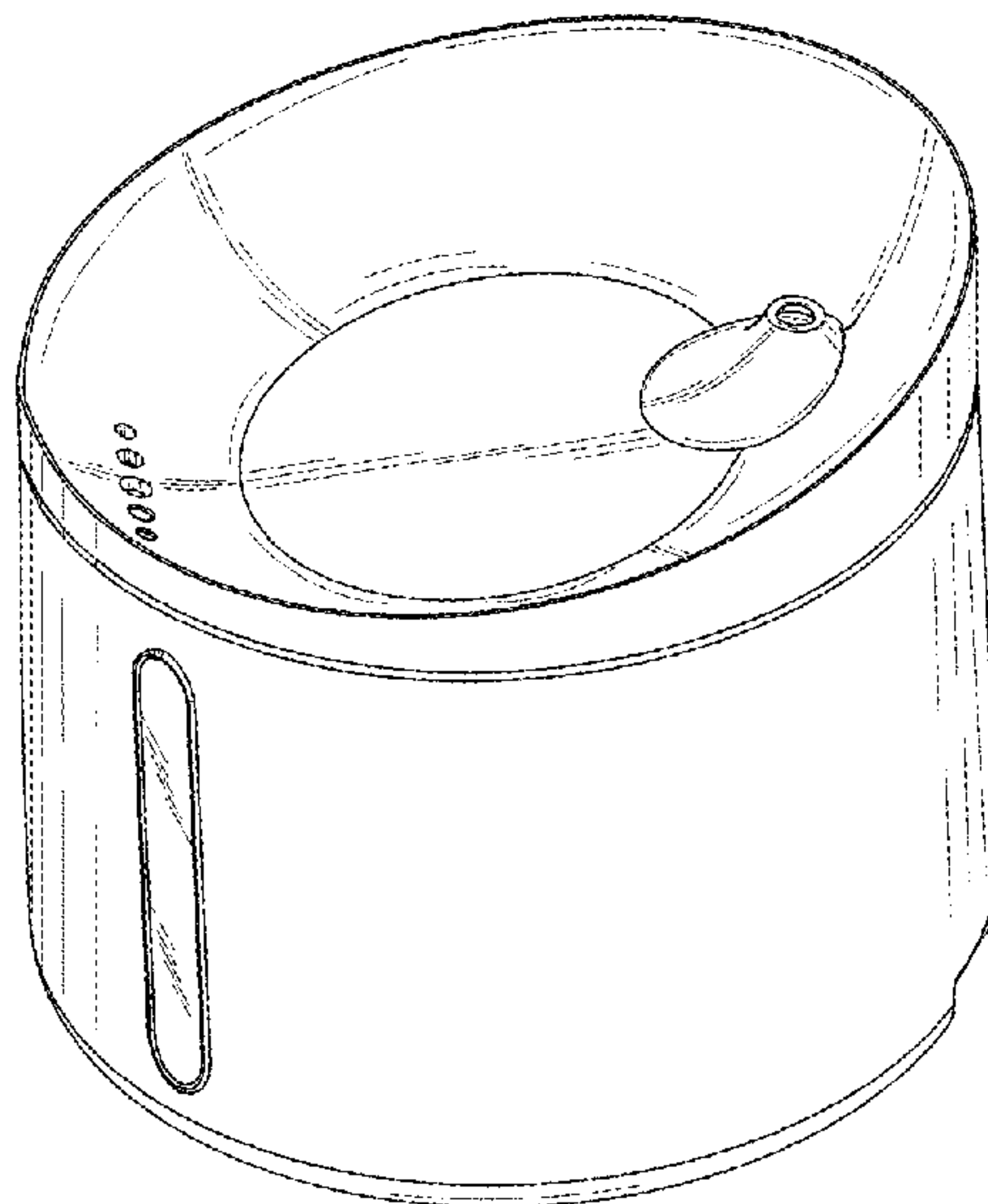
(57) **CLAIM**

The ornamental design for an automatic water dispenser for pet, as shown and described.

**DESCRIPTION**

FIG. 1 is a front elevation view of an automatic water dispenser for pet showing my new design; FIG. 2 is a rear elevation view thereof; FIG. 3 is a left elevation view thereof; FIG. 4 is a right elevation view thereof; FIG. 5 is a top elevation view thereof; FIG. 6 is a bottom elevation view thereof; FIG. 7 is a perspective view thereof; and, FIG. 8 is a another perspective view thereof.

**1 Claim, 4 Drawing Sheets**



(56)

**References Cited**

U.S. PATENT DOCUMENTS

D659,300 S \* 5/2012 Lipscomb ..... D30/121  
D692,623 S \* 10/2013 Lipscomb ..... A01K 7/005  
D30/121  
D695,972 S \* 12/2013 Lipscomb ..... A01K 7/005  
D30/132  
8,763,557 B2 \* 7/2014 Lipscomb ..... A01K 7/02  
119/74  
D739,090 S \* 9/2015 Banks ..... D30/121  
D752,826 S \* 3/2016 Gibbons ..... D30/132  
9,572,323 B2 \* 2/2017 Lipscomb ..... A01K 7/02  
10,165,753 B1 \* 1/2019 Huang ..... A01K 7/02  
D849,336 S \* 5/2019 Huang ..... D30/132  
D849,337 S \* 5/2019 Huang ..... D30/132  
D850,019 S \* 5/2019 Paxson ..... D30/132  
D850,731 S \* 6/2019 Wu ..... D30/132  
2006/0174838 A1 \* 8/2006 Plante ..... A01K 7/02  
119/74  
2014/0076242 A1 \* 3/2014 Ho ..... A01K 7/04  
119/74  
2019/0289819 A1 \* 9/2019 Ranck ..... A01K 7/04

\* cited by examiner

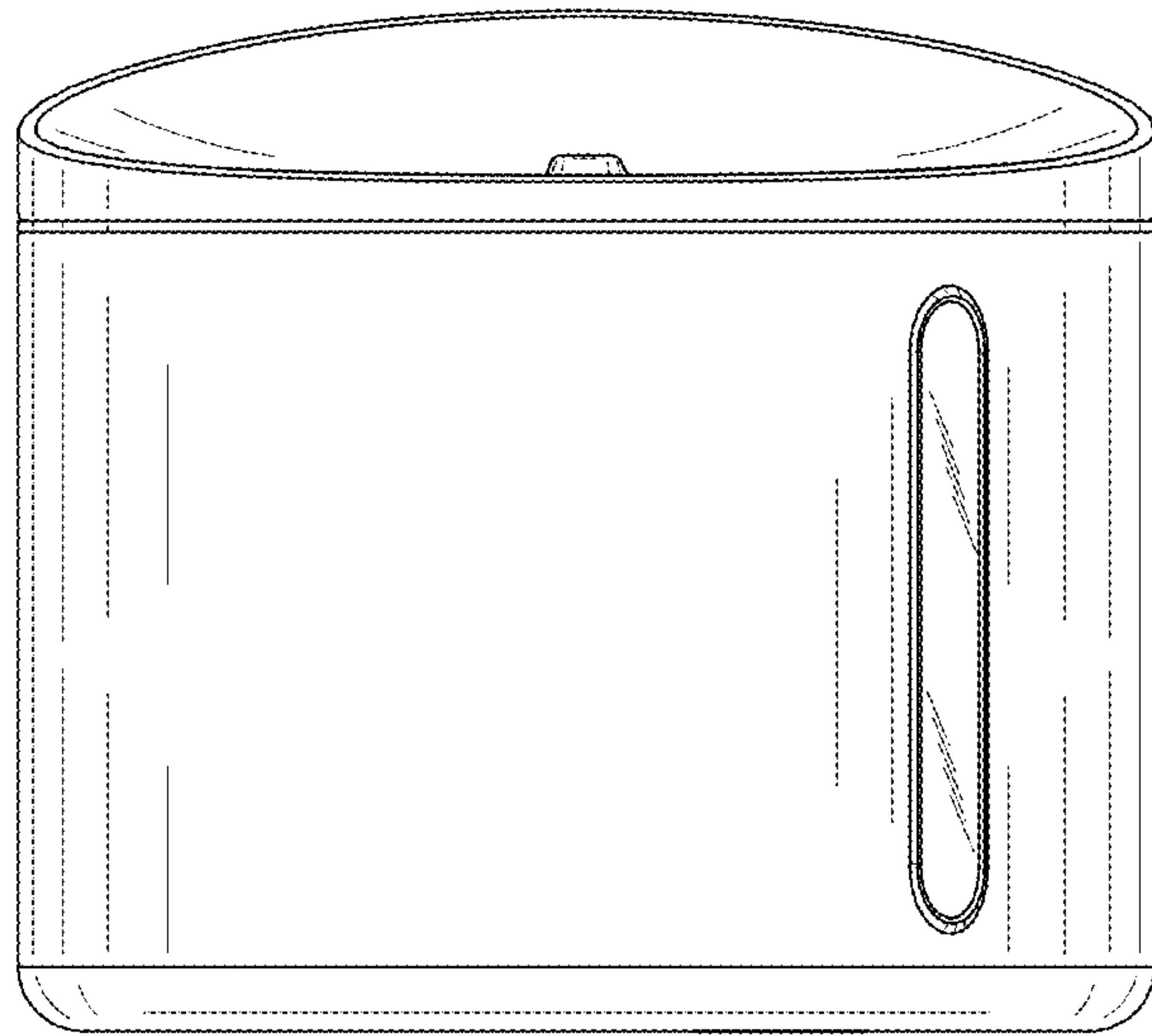


FIG.1

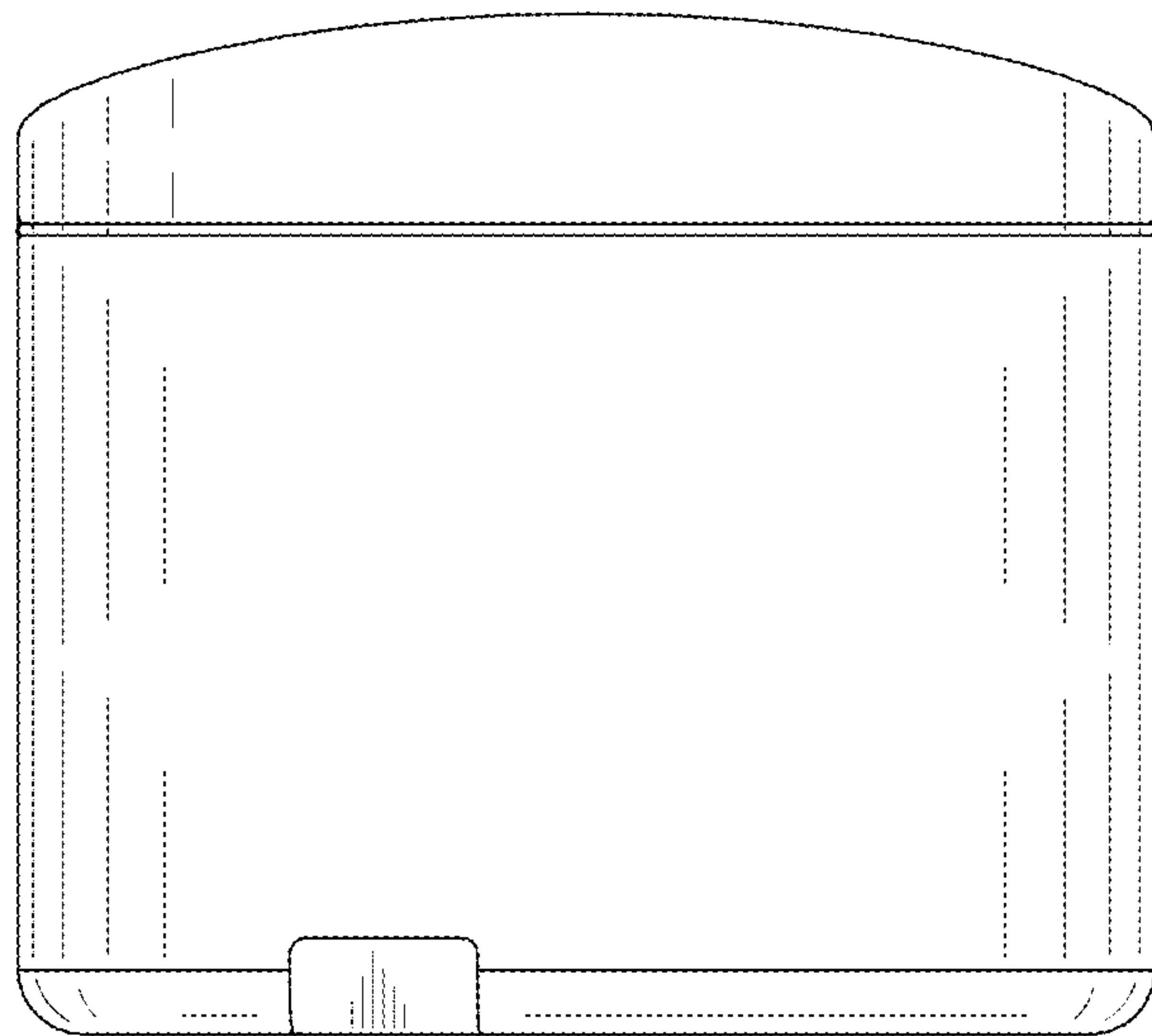


FIG.2

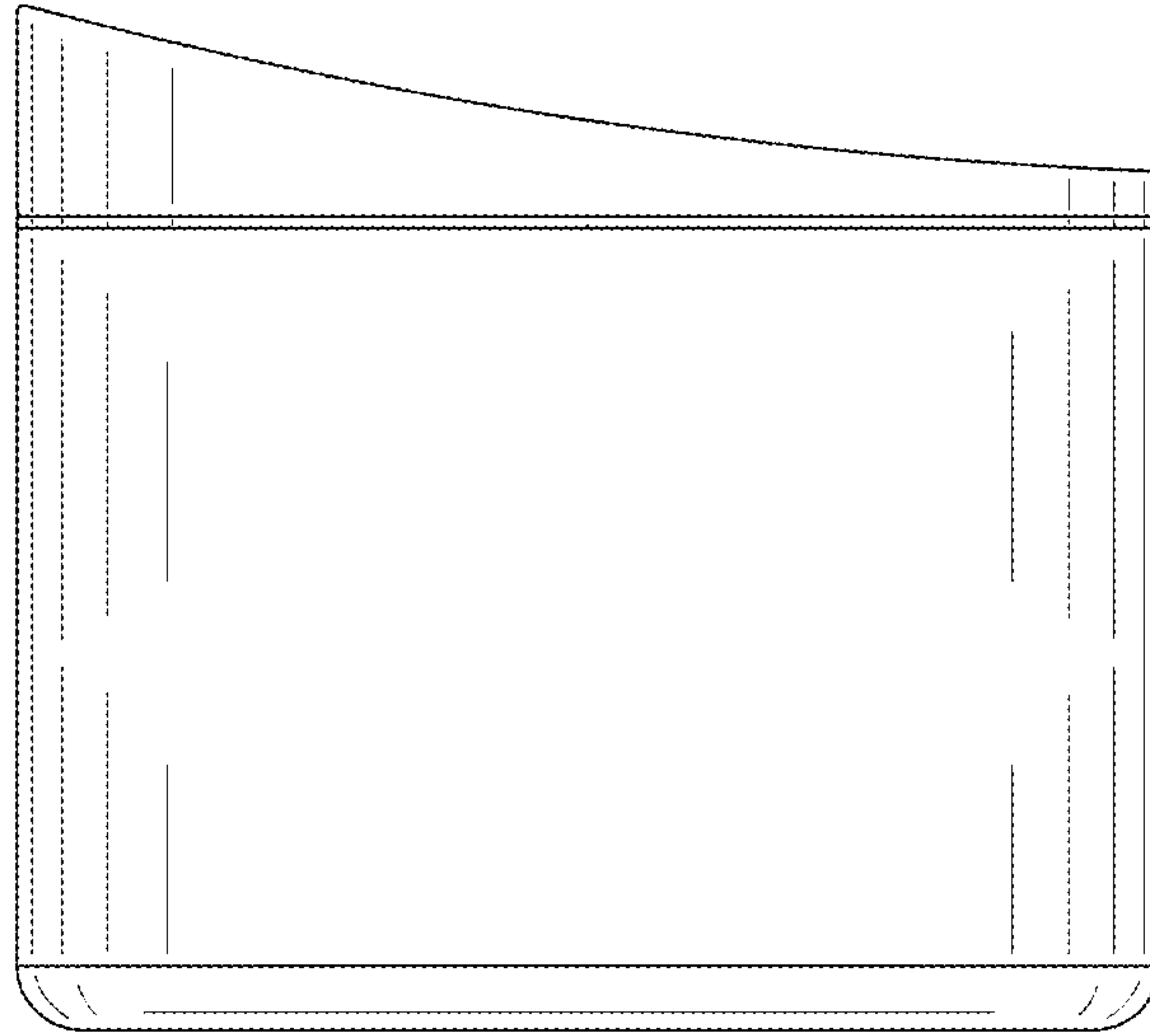


FIG.3

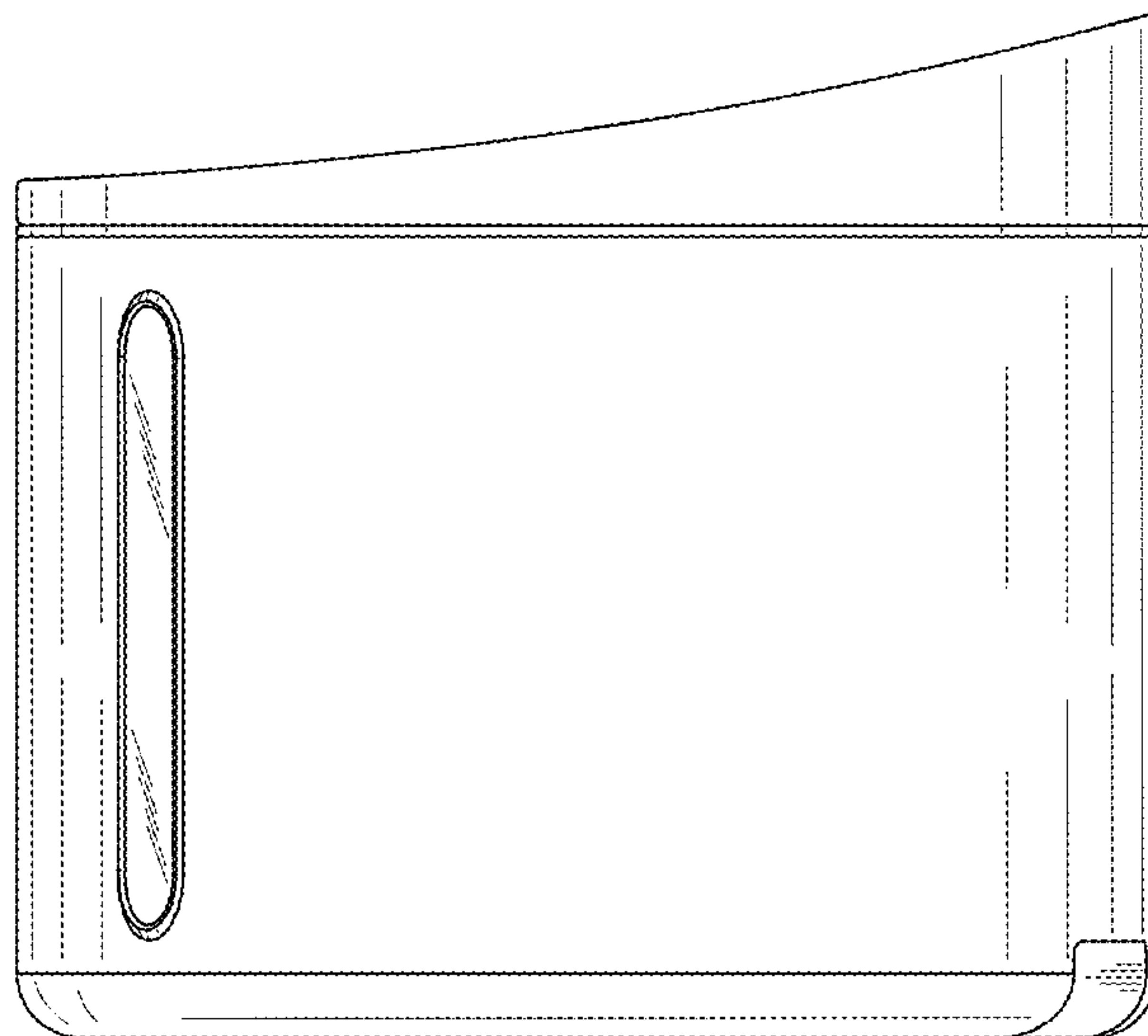


FIG.4

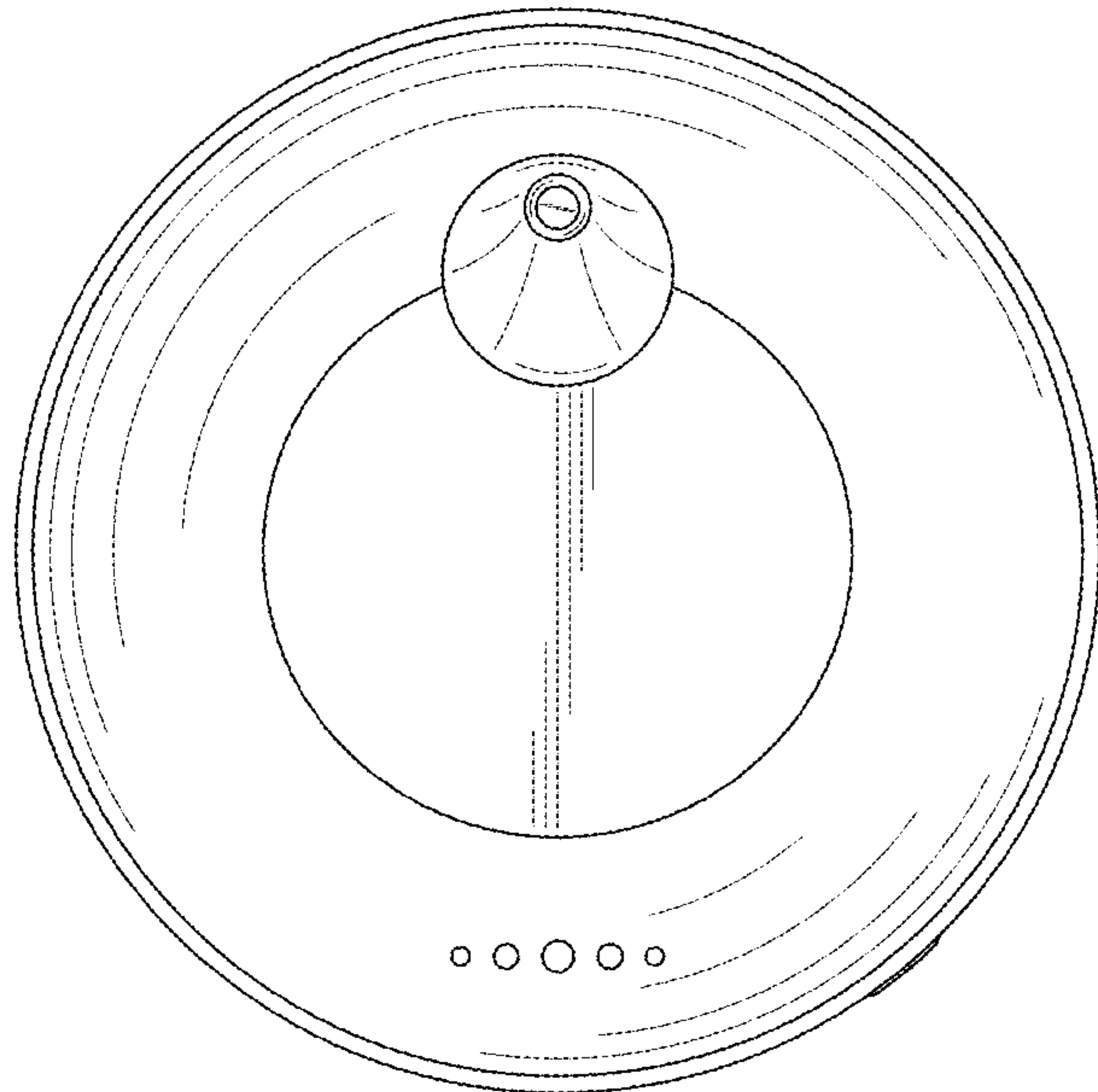


FIG. 5

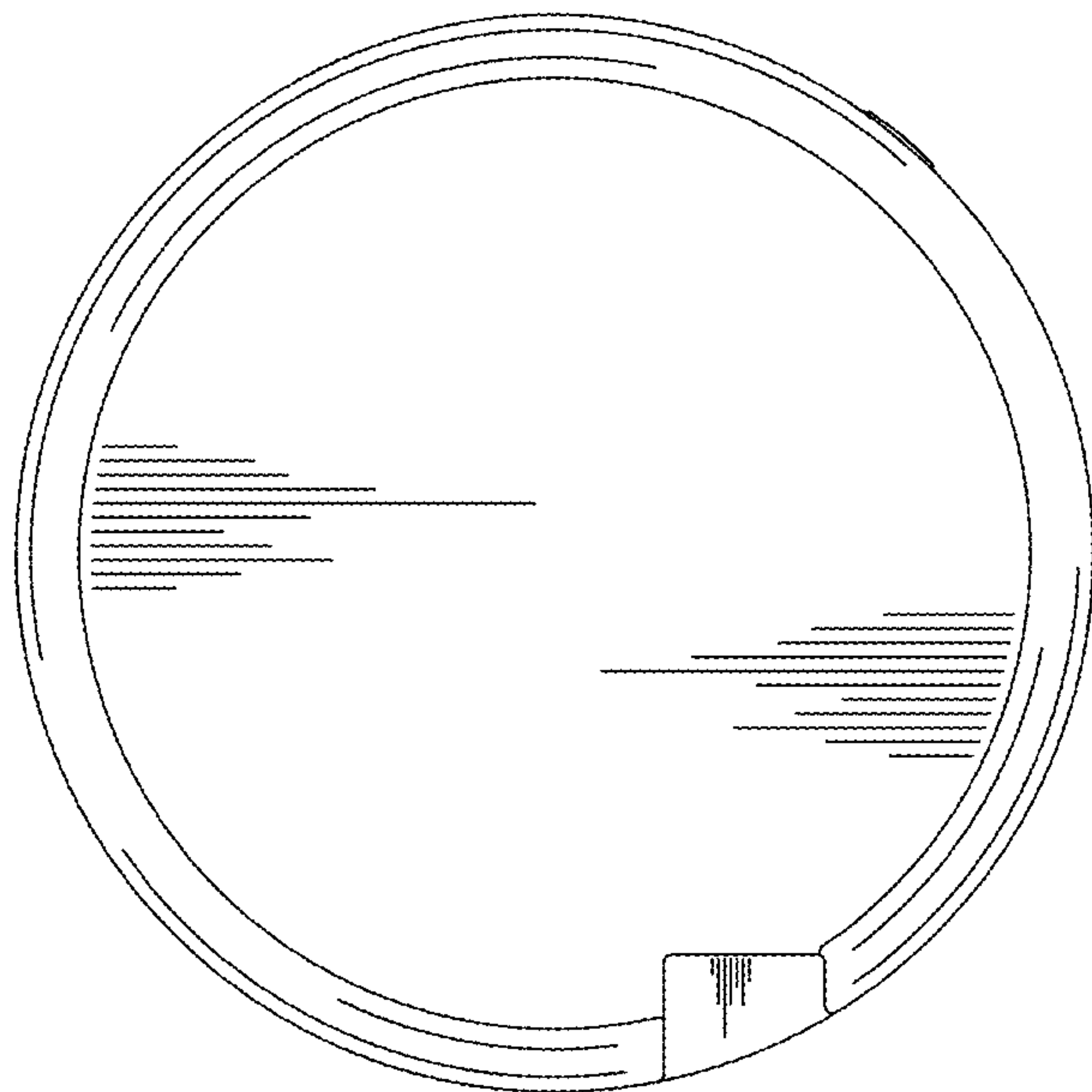


FIG. 6



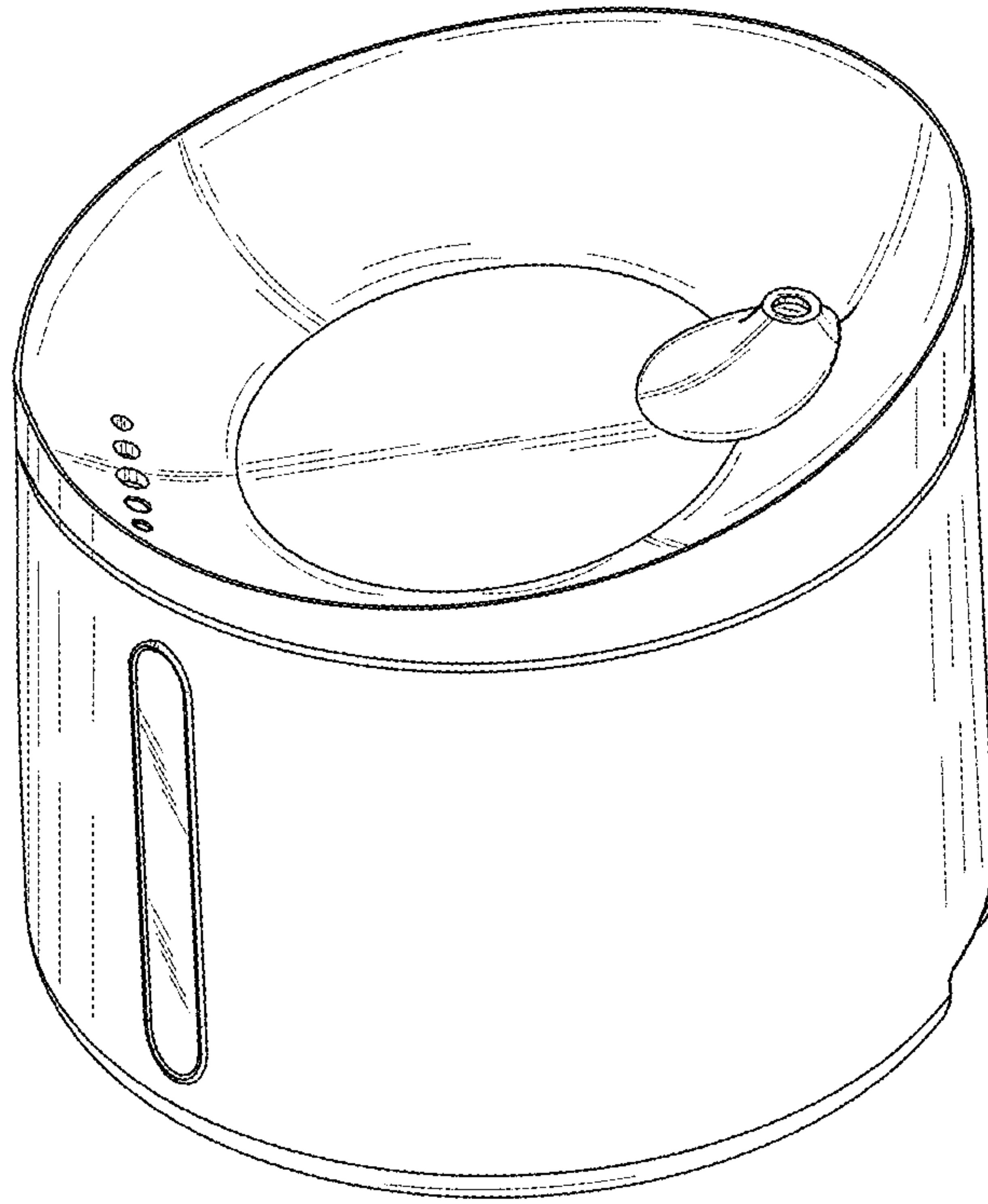


FIG. 7

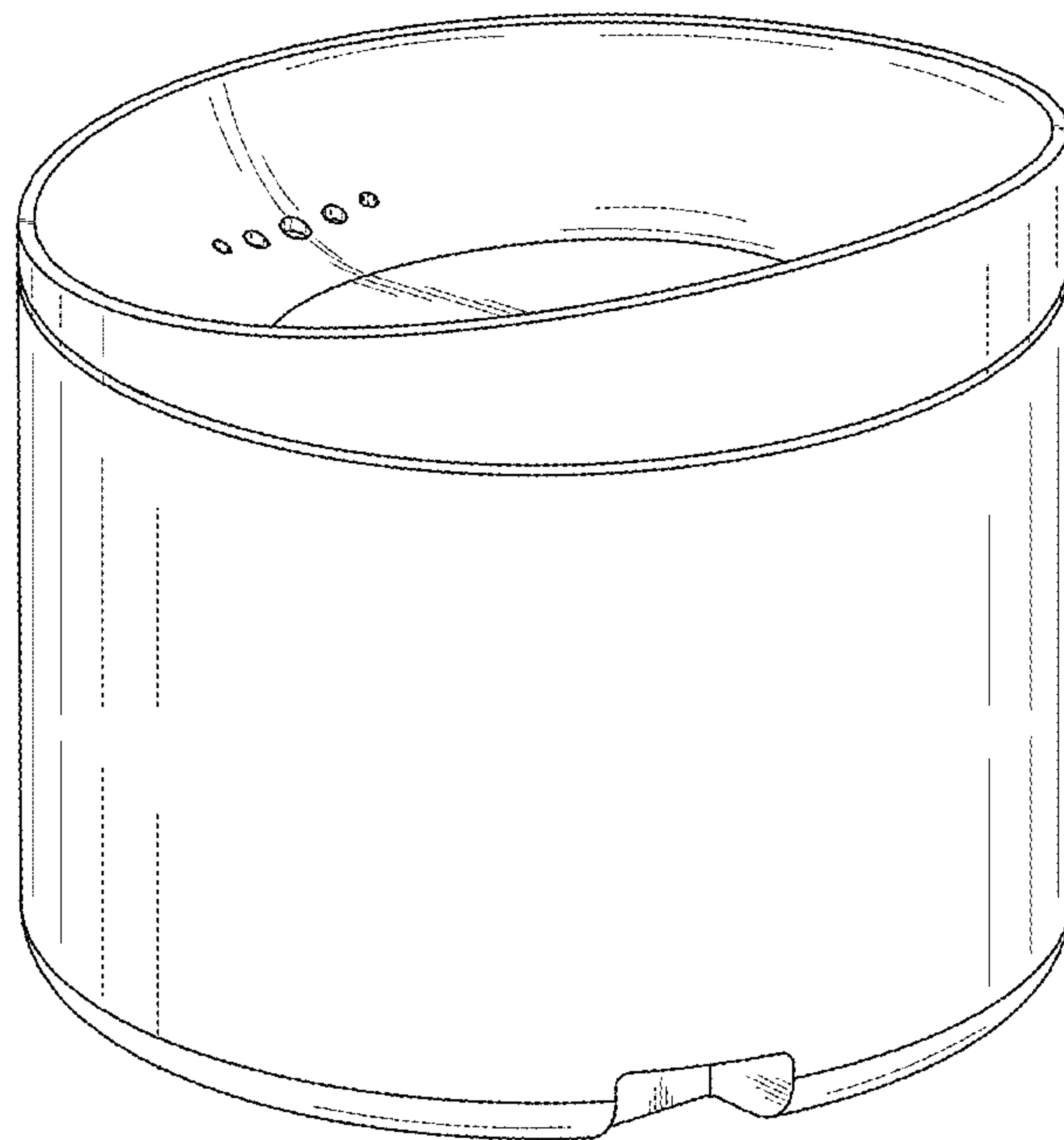


FIG. 8