



US00D917106S

(12) **United States Design Patent** (10) **Patent No.:** **US D917,106 S**  
**Ma** (45) **Date of Patent:** **\*\* Apr. 20, 2021**

(54) **WATER DISPENSER FOR PETS**

(71) Applicant: **Huixin Ma**, Guangdong (CN)

(72) Inventor: **Huixin Ma**, Guangdong (CN)

(\*\*) Term: **15 Years**

(21) Appl. No.: **29/654,843**

(22) Filed: **Jun. 28, 2018**

(30) **Foreign Application Priority Data**

Dec. 30, 2017 (CN) ..... 201730687112.3

(51) **LOC (13) Cl.** ..... **30-03**

(52) **U.S. Cl.**  
USPC ..... **D30/132**

(58) **Field of Classification Search**  
USPC ..... D30/121, 122, 129, 130, 131, 132, 133,  
D30/199  
CPC ..... A01K 5/00; A01K 5/0291; A01K 7/00;  
A01K 7/005; A01K 7/02; A01K 39/02;  
A01K 39/04

See application file for complete search history.

(56) **References Cited**

**U.S. PATENT DOCUMENTS**

D681,888 S \* 5/2013 Fang ..... D30/132  
D694,477 S \* 11/2013 Rowe ..... D30/132  
D704,903 S \* 5/2014 Fang ..... D30/132  
D820,534 S \* 6/2018 Huang ..... D30/132  
D872,381 S \* 1/2020 Lee ..... D30/132  
2010/0095897 A1 \* 4/2010 Rowe ..... A01K 7/022  
119/72  
2019/0297842 A1 \* 10/2019 Huang ..... F04B 53/20

**OTHER PUBLICATIONS**

“iPettie Cupcake Porcelain Pet Water Fountain for Cats and Dogs”  
(via YouTube), available Dec. 17, 2019, [online], [site visited May

28, 2020], Retrieved from Internet, URL:https://www.youtube.com/watch?v=ULumhTYXudY&feature=emb\_logo (Year: 2019).\*

“Cheap Pet Water Fountain” available Dec. 1, 2017, [online], [site visited May 28, 2020], Retrieved from Internet, URL:http://66.42.87.221/cheap-pet-water-fountain/ (Year: 2017).\*

“iPettie Tritone Ceramic Pet Drinking Fountain” available Aug. 25, 2017, [online], [site visited May 28, 2020], Retrieved from Internet, URL:https://www.amazon.com/IPETTIE-Fountain%E4%B8%A8Ultra-Plastic%E4%B8%A8Water-Fountains-Replacement/dp/B071RTFTBN/ref=cm\_cr\_arp\_d\_product\_top (Year: 2017).\*

“Drinkwell 360 Stainless Steel Pet Fountain” available Oct. 29, 2013, [online], [site visited May 28, 2020], Retrieved from Internet, URL:https://www.chewy.com/drinkwell-360-stainless-steel-pet/dp/48106 (Year: 2013).\*

“Drinkwell 360 Pet Fountain” available Aug. 14, 2013, [online], [site visited May 28, 2020], Retrieved from Internet, URL:https://www.chewy.com/drinkwell-360-pet-fountain/dp/48092 (Year: 2013).\*

\* cited by examiner

*Primary Examiner* — Michael C Stout

*Assistant Examiner* — Katrina N Gonzalez

(74) *Attorney, Agent, or Firm* — Rumit Ranjit Kanakia

(57) **CLAIM**

The ornamental design for a water dispenser for pets, as shown and described.

**DESCRIPTION**

FIG. 1 is a front elevational view of a water dispenser for pets showing my new design;

FIG. 2 is a left side view thereof;

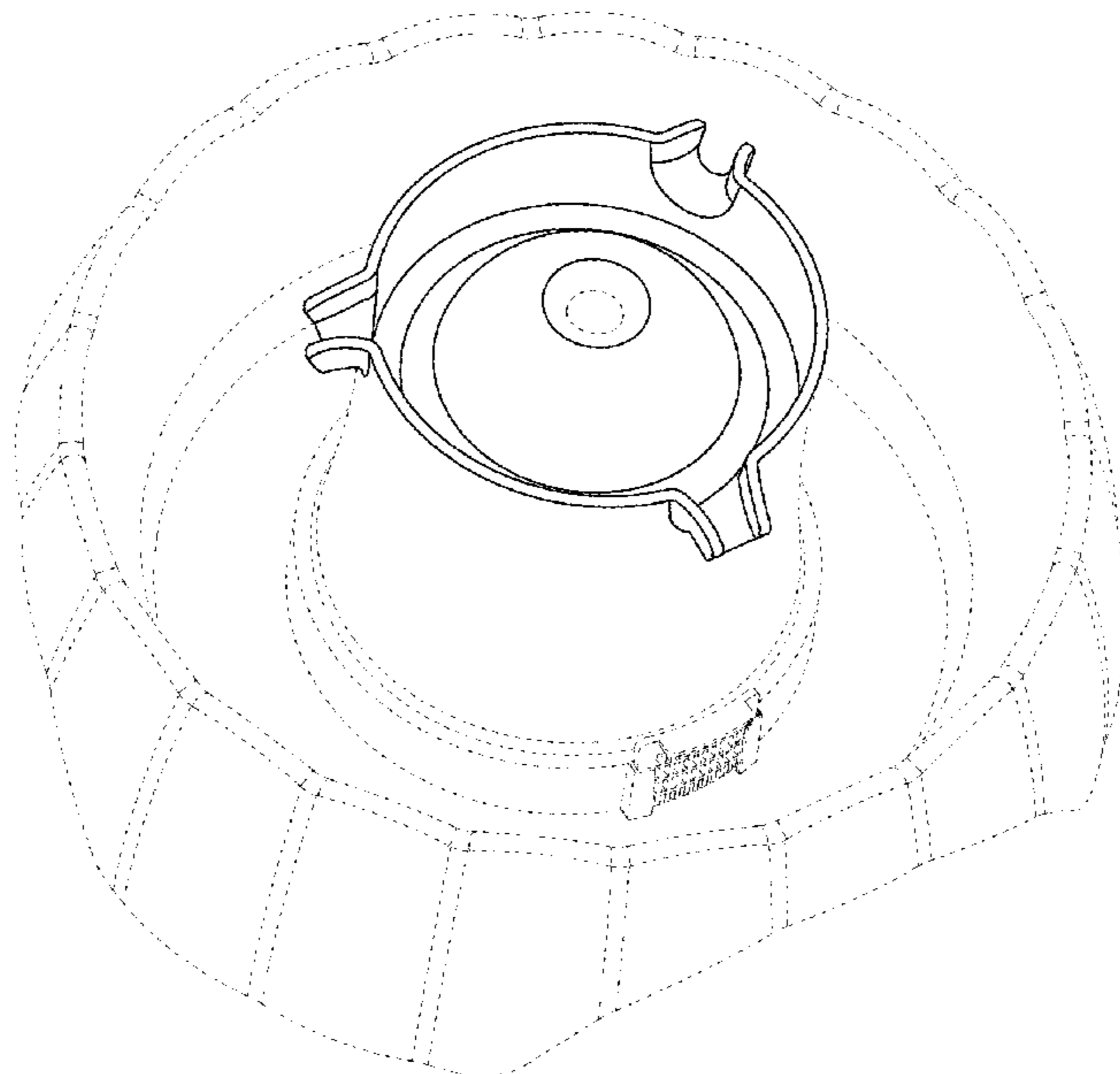
FIG. 3 is a top plan view thereof;

FIG. 4 is a bottom plan view thereof; and,

FIG. 5 is a perspective view thereof.

The broken lines illustrate portions of the water dispenser for pets that form no part of the claimed design.

**1 Claim, 5 Drawing Sheets**



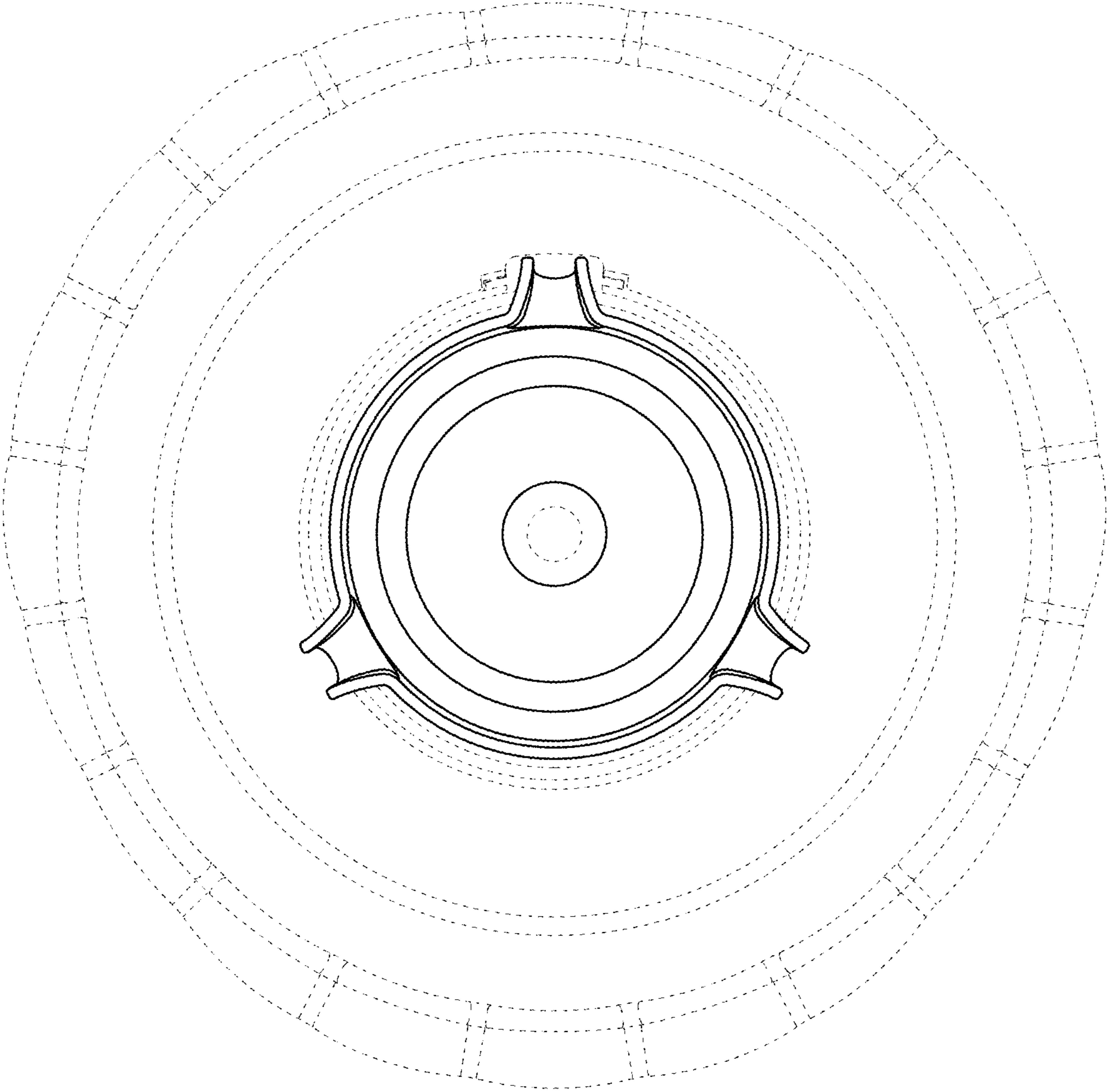


FIG. 1

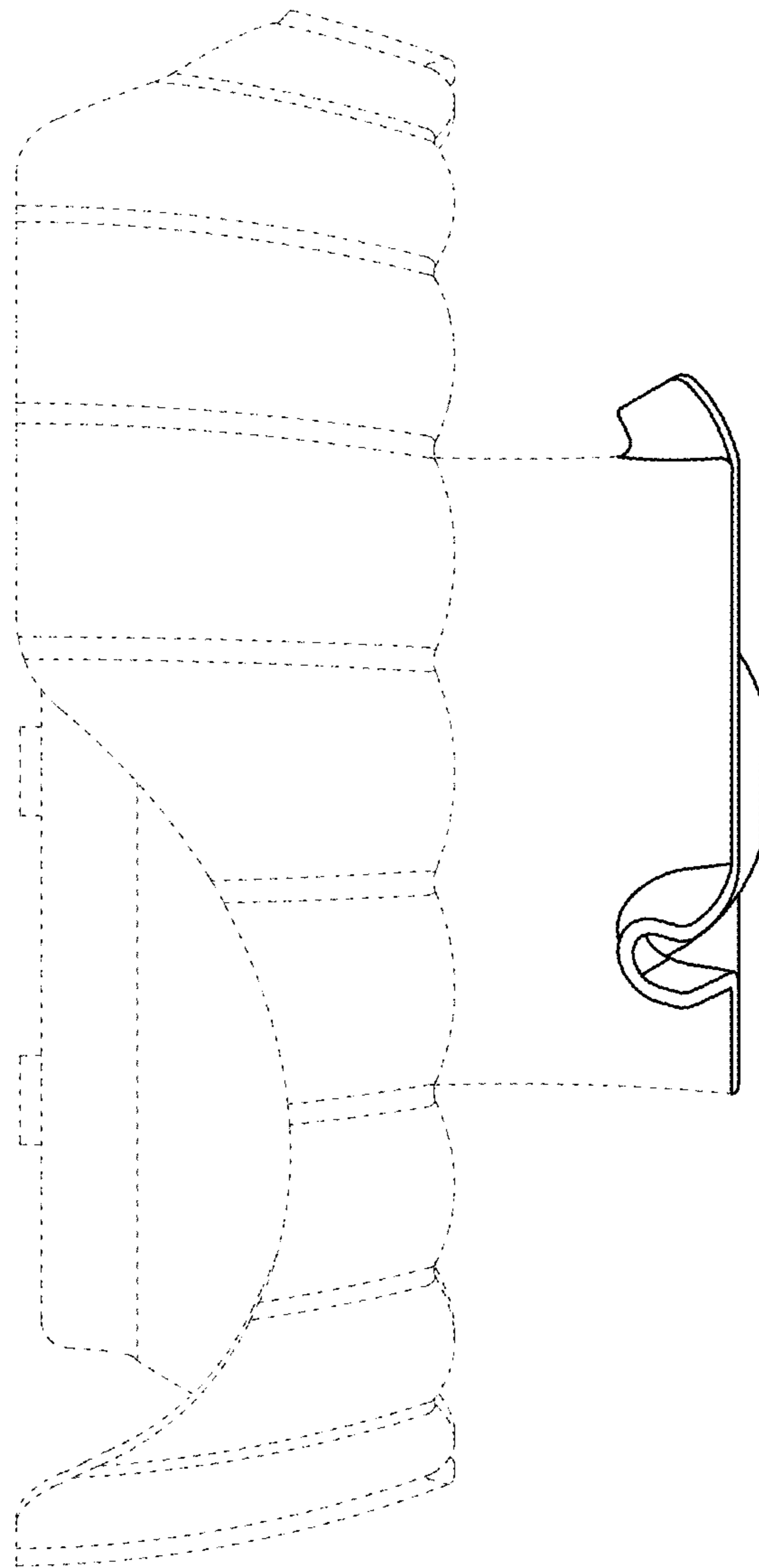


FIG. 2

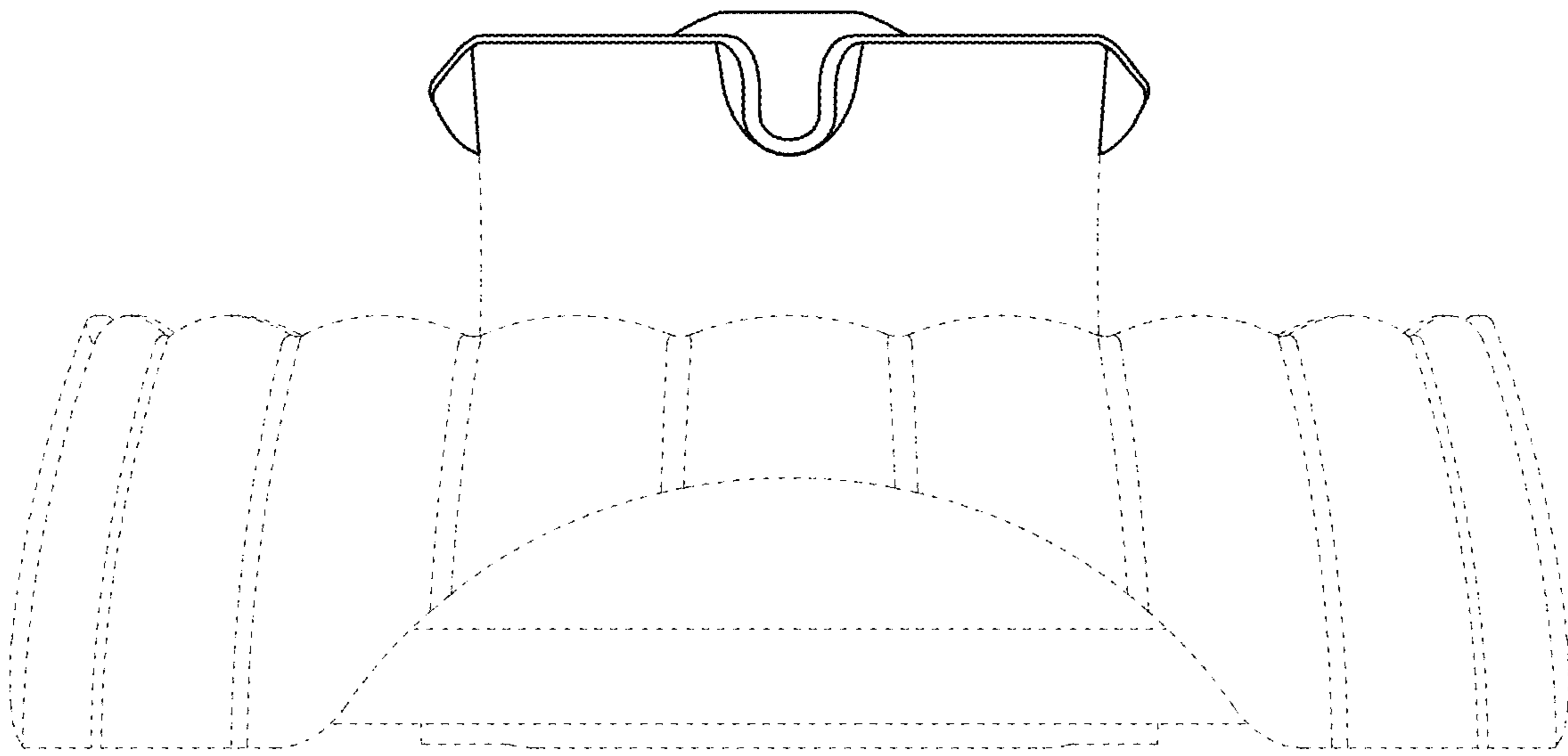


FIG. 3

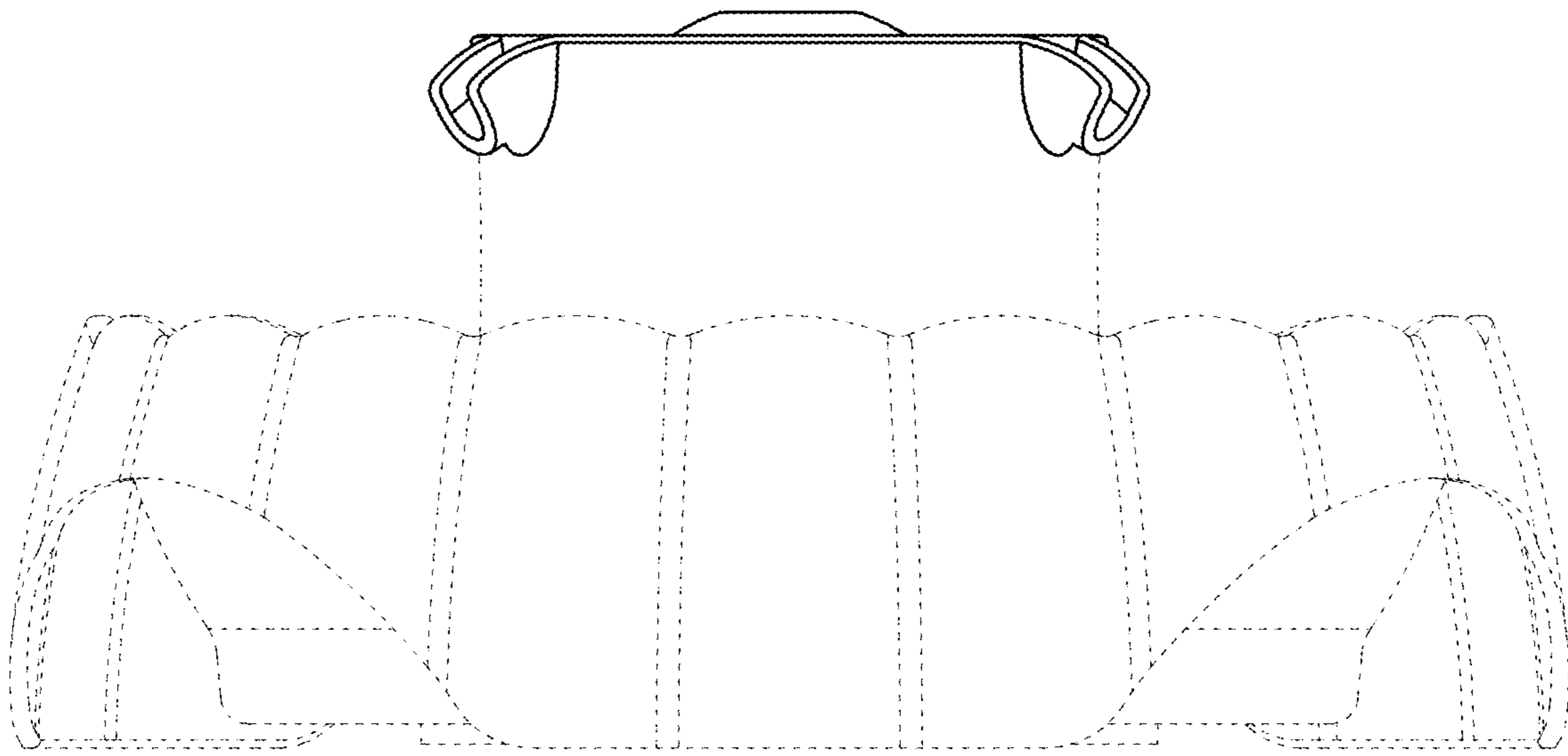


FIG. 4

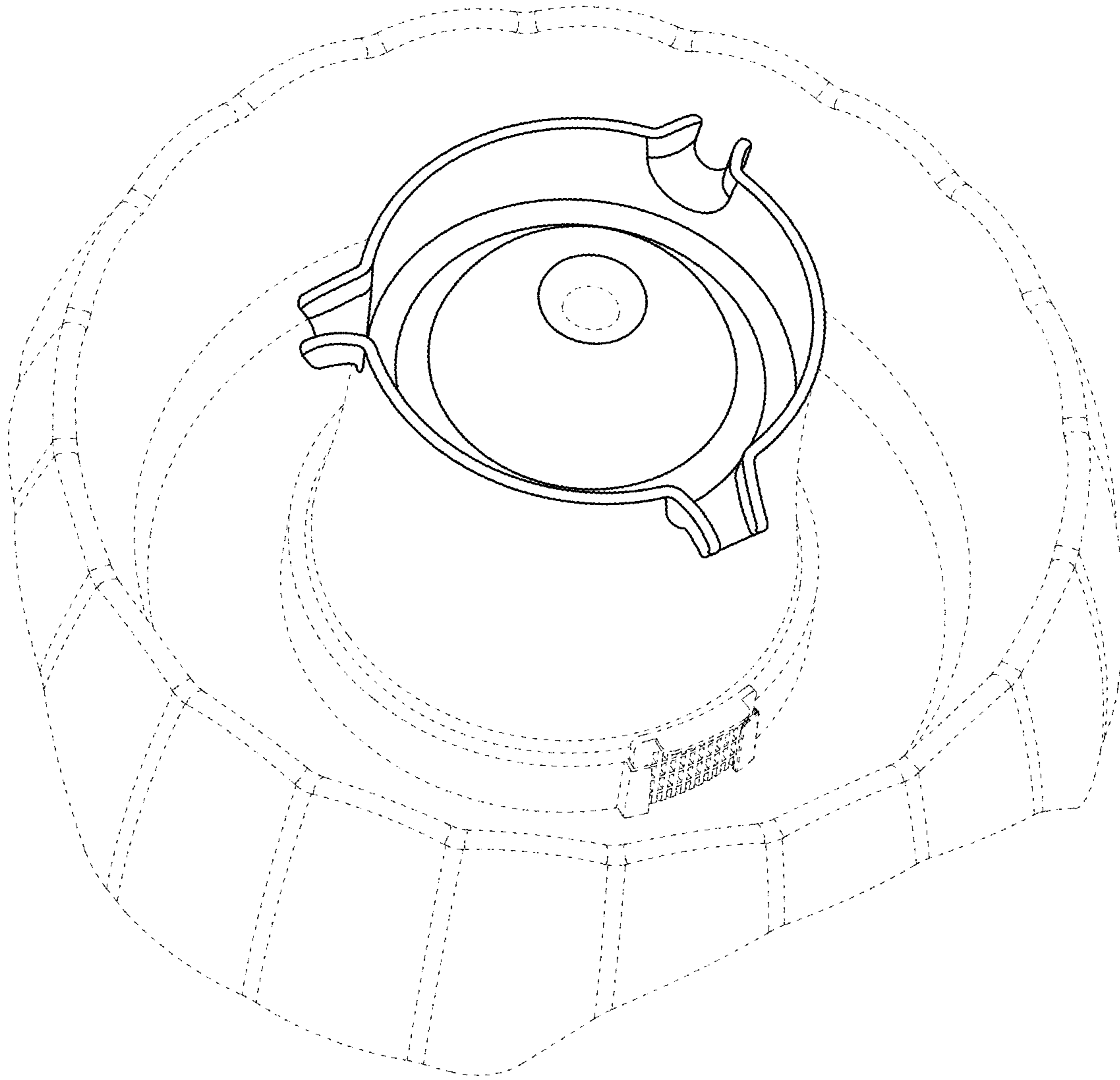


FIG. 5