



US00D917099S

(12) **United States Design Patent**
Contreras

(10) **Patent No.:** **US D917,099 S**
(45) **Date of Patent:** **** Apr. 20, 2021**

- (54) **FEDORA MOTORCYCLE HELMET**
- (71) Applicant: **noel Contreras**, San Mateo, CA (US)
- (72) Inventor: **noel Contreras**, San Mateo, CA (US)
- (**) Term: **15 Years**
- (21) Appl. No.: **29/668,198**
- (22) Filed: **Oct. 29, 2018**
- (51) **LOC (13) Cl.** **02-03**
- (52) **U.S. Cl.**
USPC **D29/102**
- (58) **Field of Classification Search**
USPC D29/102-107, 122; D2/881, 886, 887
CPC .. A42B 3/06; A42B 3/069; A42B 3/18; A42B 3/221; A42B 3/225; A42B 3/227; A42B 3/10; A42B 3/286; A42B 1/08; A42B 1/06; A42B 1/02; A42C 5/00
See application file for complete search history.

- 2,094,104 A * 9/1937 Lee A42B 1/02
2/175.9
- 2,226,133 A * 12/1940 Lee, Jr. A42C 5/00
2/175.3
- D138,824 S * 9/1944 Syzdek D2/887
(Continued)

OTHER PUBLICATIONS

Raza Trucholo Style Fedora Helmet (on-line), dated Jul. 9, 2019. Retrieved from Internet Jul. 13, 2020, URL: <https://www.facebook.com/ImpalasAndBombsMagazine/posts/new-raza-trucholo-style-fedora-helmet-theyre-starting-at-350-just-in-black-and-t/1882110738555309/> (1 page) (Year: 2019).*

Primary Examiner — Kimberly Barnes

(57) **CLAIM**

The ornamental design for a Fedora motorcycle helmet, as shown and described.

DESCRIPTION

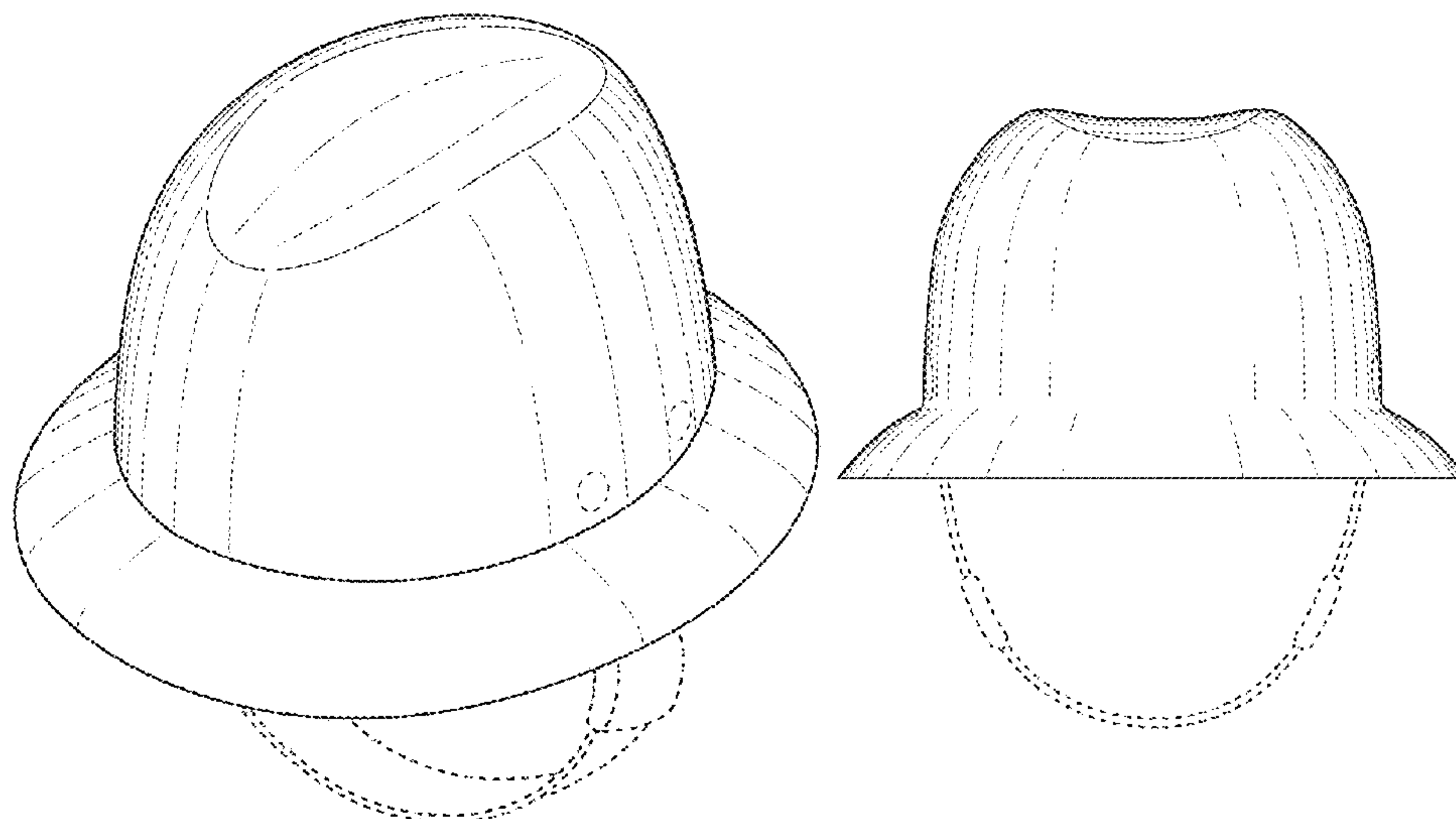
FIG. 1 is a perspective view of a Fedora motorcycle helmet of the present invention.
FIG. 2 is a top view of the Fedora motorcycle helmet of the present invention.
FIG. 3 is a bottom view of the Fedora motorcycle helmet of the present invention.
FIG. 4 is a side view of the Fedora motorcycle helmet of the present invention.
FIG. 5 is another side view of the Fedora motorcycle helmet of the present invention.
FIG. 6 is a front view of the Fedora motorcycle helmet of the present invention; and,
FIG. 7 is back view of the Fedora motorcycle helmet of the present invention.
The broken lines in the drawings depict portions of the Fedora motorcycle helmet that form no part of the claimed design.

1 Claim, 5 Drawing Sheets

(56) **References Cited**

U.S. PATENT DOCUMENTS

- 970,894 A * 9/1910 Davies A42B 3/286
2/171.3
- 1,111,417 A * 9/1914 Tyler A42B 3/286
2/171.3
- D53,065 S * 3/1919 Delman D2/888
- 1,378,977 A * 5/1921 Parmley A42B 1/02
2/175.5
- 1,429,364 A * 9/1922 Mitchell A42B 1/02
2/181
- 1,672,217 A * 6/1928 Holmes A42B 1/22
2/175.3
- 1,689,539 A * 10/1928 Wagner A42C 5/02
2/171.2
- 1,755,198 A * 4/1930 Wittcoff A42B 1/205
2/171.1
- 1,775,561 A * 9/1930 Kanner A42C 5/02
2/181
- D98,961 S * 3/1936 Reynolds D2/887
- 2,040,354 A * 5/1936 Wittcoff A42C 1/06
2/175.2



(56)

References Cited

U.S. PATENT DOCUMENTS

2,440,407 A * 4/1948 Kuenstner A42B 1/22
2/175.3
D149,521 S * 5/1948 Silbermann D2/887
2,445,922 A * 7/1948 Ostolaza A42B 1/22
2/175.3
2,616,091 A * 11/1952 Luttge A42B 1/02
2/209.3
2,776,435 A * 1/1957 Trimpert A42B 1/02
2/175.5
3,206,766 A * 9/1965 Smith A42C 5/04
2/209.7
3,314,078 A * 4/1967 Marchello A42B 1/08
2/421
D223,742 S * 6/1972 Johnson D2/887
D350,427 S * 9/1994 Vig 2/175.1
6,760,925 B1 * 7/2004 Maxwell A42B 3/285
2/171.3
D597,283 S * 8/2009 Timms D2/888
D764,772 S * 8/2016 Zenoff D2/887
D800,390 S * 10/2017 Xiong D29/102
2007/0016998 A1 * 1/2007 Reddington A42B 3/225
2/5

* cited by examiner

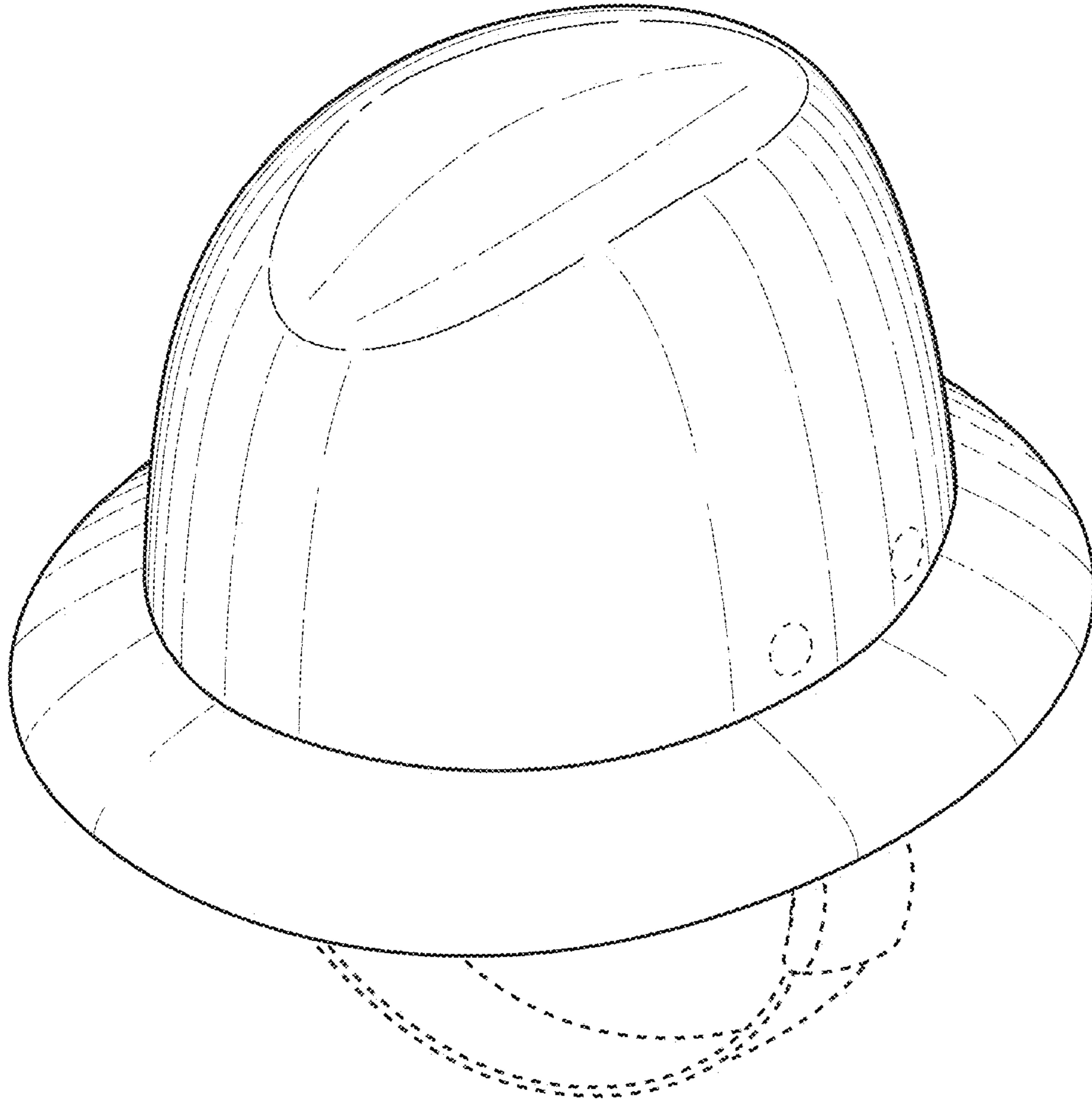


Fig. 1

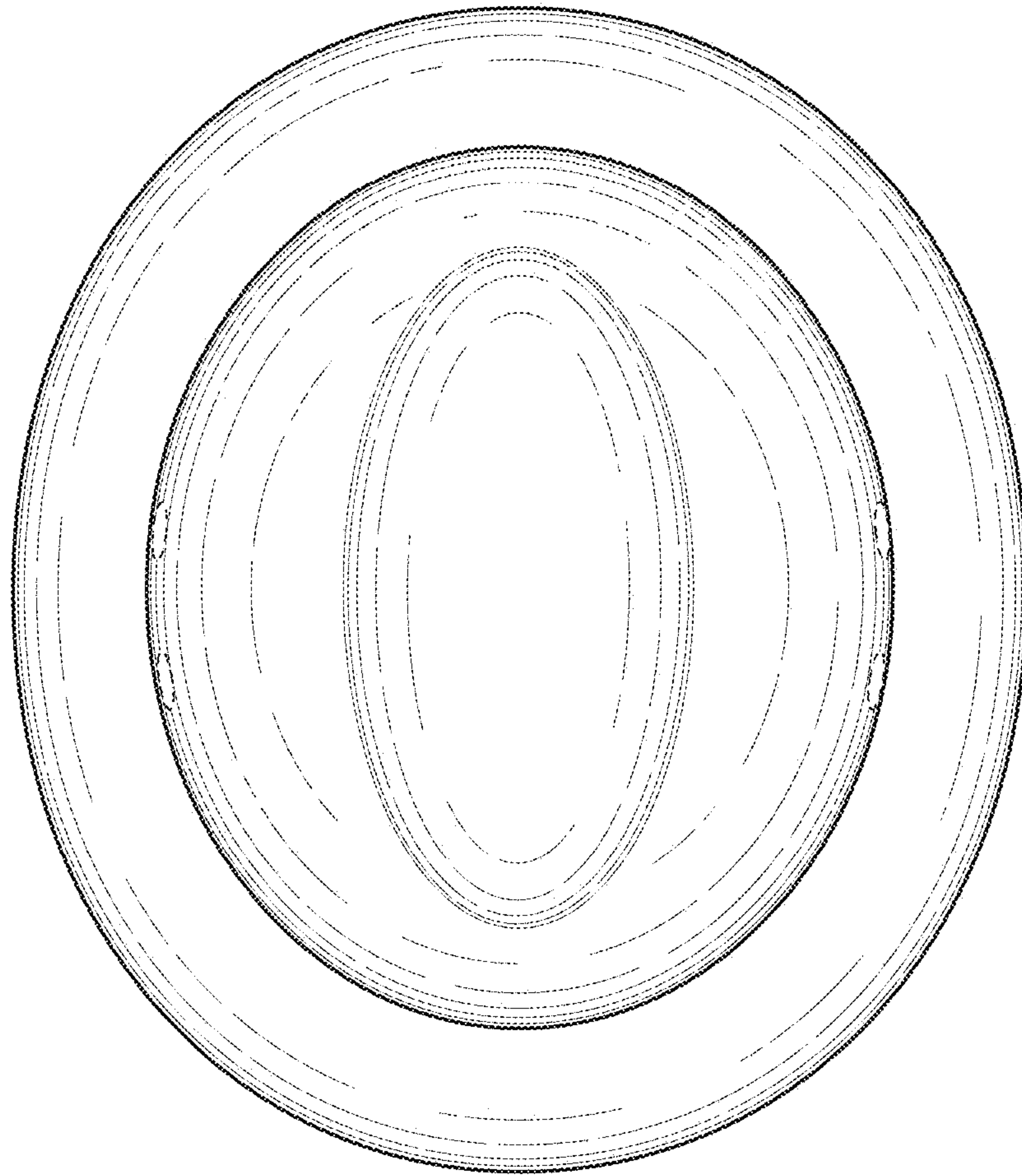


Fig. 2

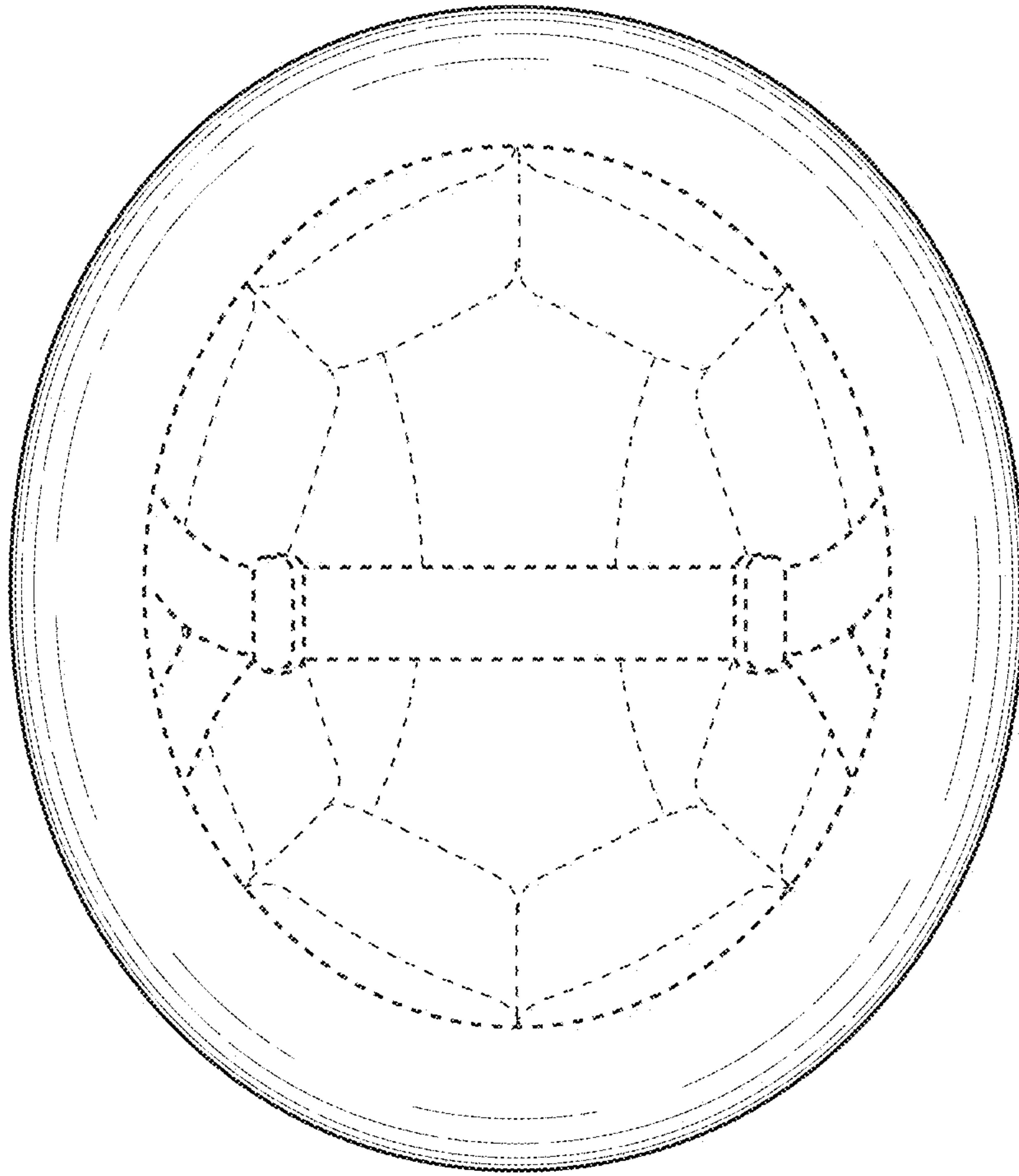


Fig. 3

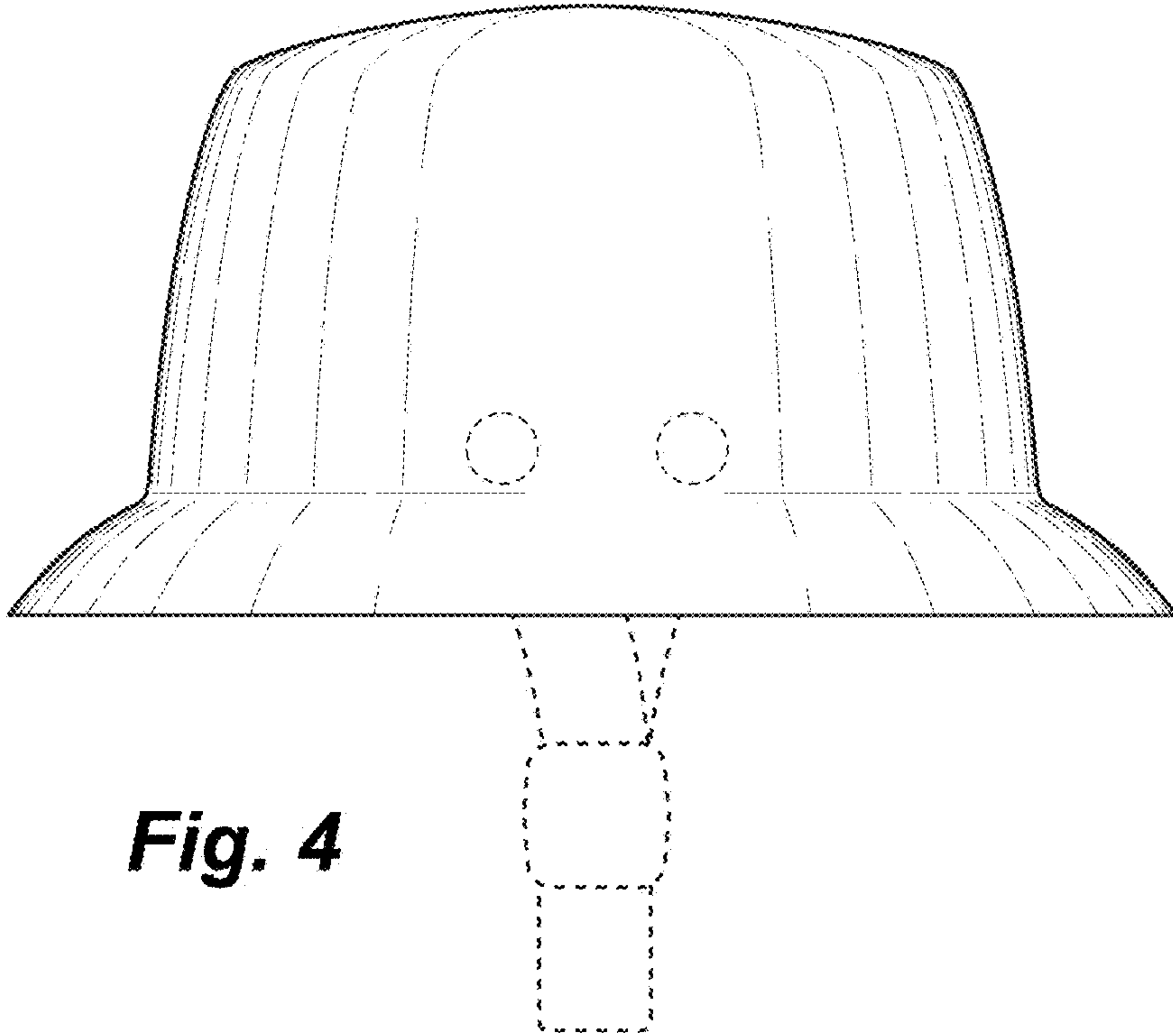


Fig. 4

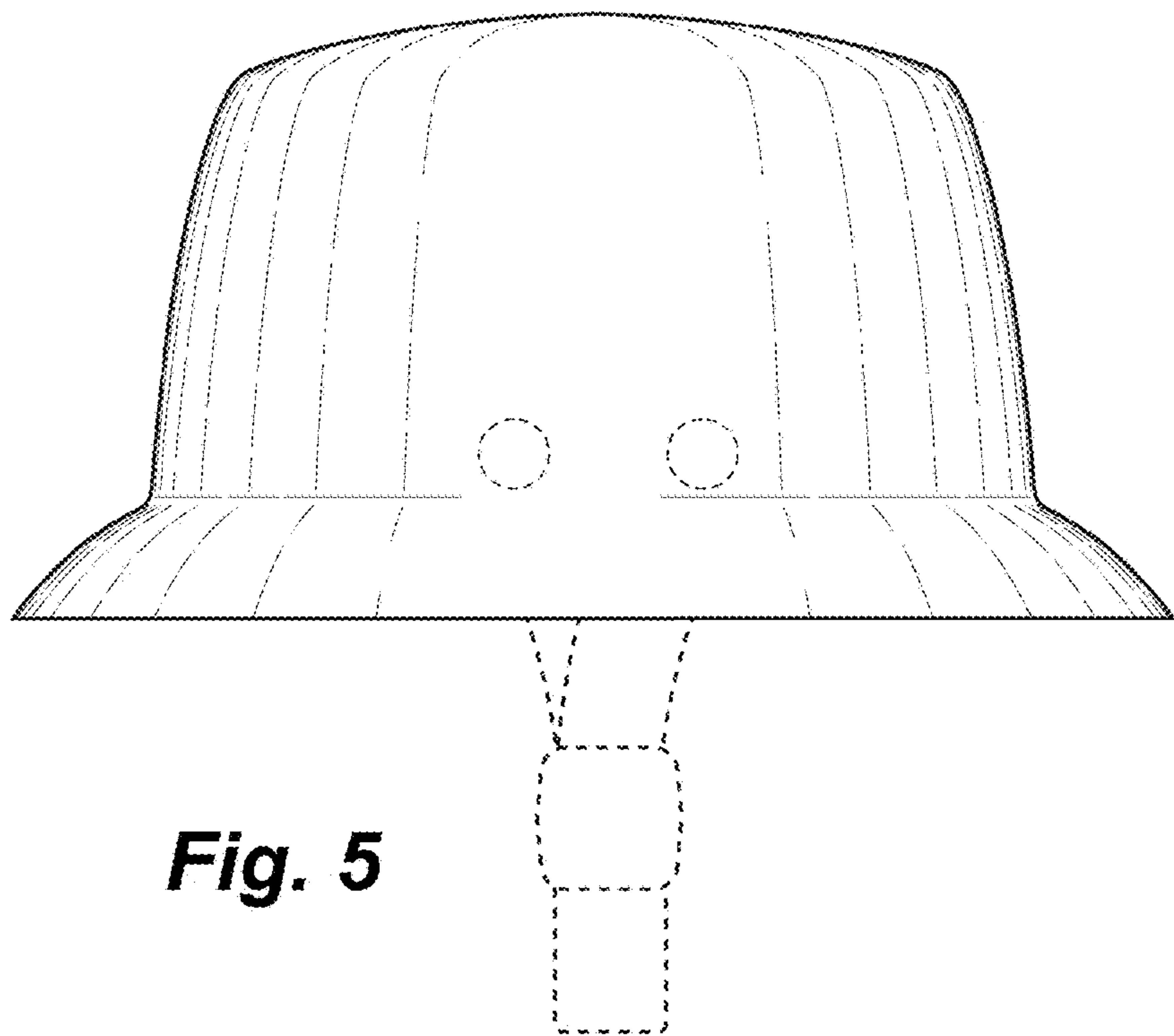


Fig. 5

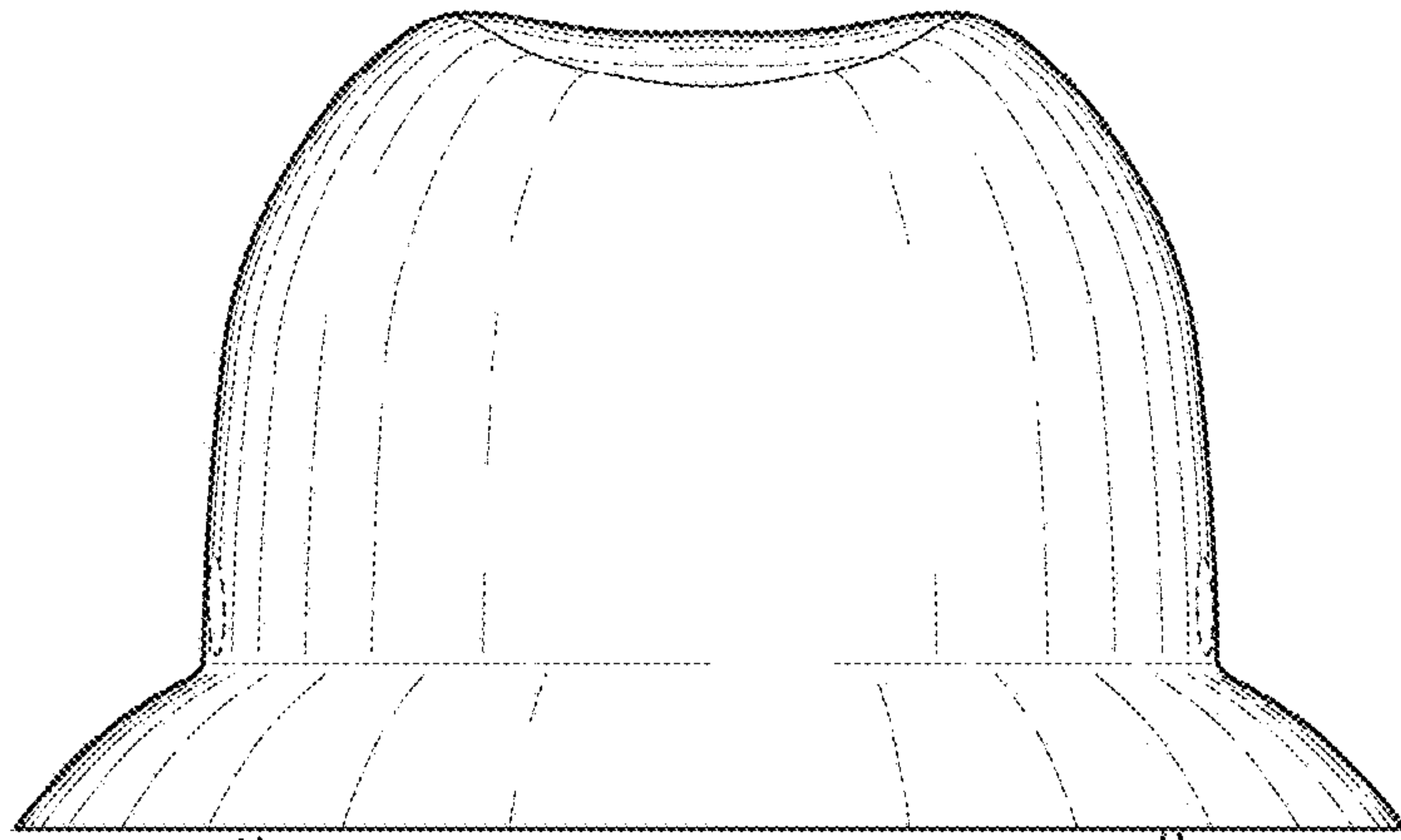


Fig. 6

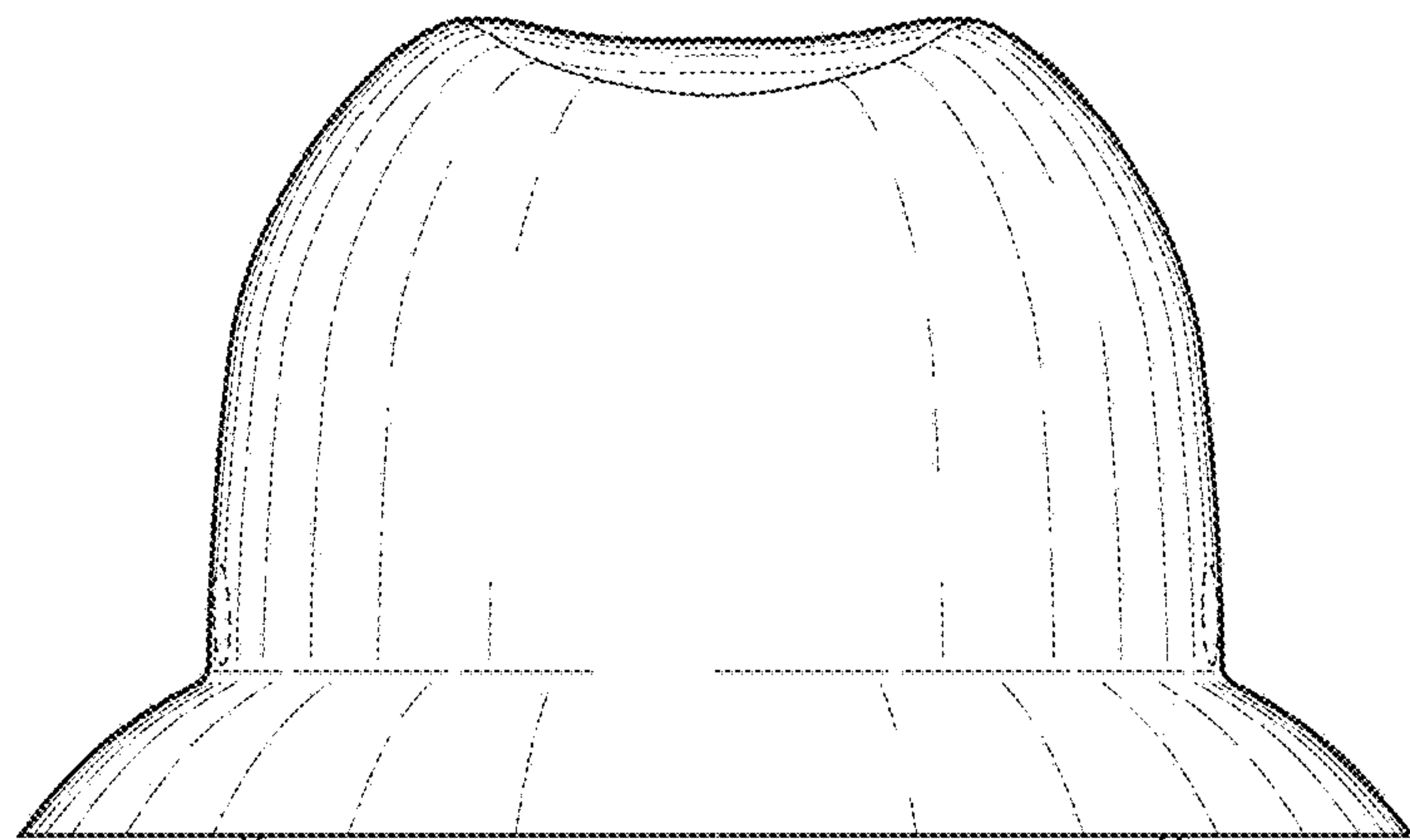


Fig. 7