



US00D917098S

(12) **United States Design Patent** (10) **Patent No.:** **US D917,098 S**  
**Huang** (45) **Date of Patent:** **\*\* Apr. 20, 2021**

- (54) **MAKEUP CASE**
- (71) Applicant: **Shenzhen BLACK TECH Co., Ltd.**,  
Guangdong (CN)
- (72) Inventor: **Lianwu Huang**, Guangdong (CN)
- (73) Assignee: **Shenzhen BLACK TECH Co., Ltd.**,  
Guangdong (CN)
- (\*\*) Term: **15 Years**
- (21) Appl. No.: **29/751,766**
- (22) Filed: **Sep. 23, 2020**
- (51) **LOC (13) Cl.** ..... **28-03**
- (52) **U.S. Cl.**  
USPC ..... **D28/83; D28/73; D3/901**
- (58) **Field of Classification Search**  
USPC ..... D28/73, 76-84; D9/430, 432; D3/901,  
D3/284  
CPC .... A45D 33/00; A45D 33/003; A45D 33/006;  
A45D 33/008; A45D 33/18; A45D 33/20;  
A45D 33/22; A45D 33/24; A45D 33/26;  
A45D 33/28; A45D 40/00; A45D 40/22;  
A45D 40/24; A45D 2040/0012  
See application file for complete search history.

(56) **References Cited**  
U.S. PATENT DOCUMENTS

D444,596 S *	7/2001	Lai	.....	D28/82
D479,895 S *	9/2003	Lai	.....	D28/83
D480,180 S *	9/2003	Lai	.....	D28/83
D611,656 S	3/2010	Lai		
D632,015 S	2/2011	Lai		
D718,499 S *	11/2014	Pourmehr	.....	D28/83
D752,290 S *	3/2016	Beilman	.....	D28/73
D757,434 S *	5/2016	Beilman	.....	D3/284
2004/0163971 A1 *	8/2004	Lin	.....	B65D 77/26 206/38
2009/0255846 A1 *	10/2009	Pires	.....	A45D 40/24 206/581
2016/0143413 A1 *	5/2016	Pourmehr	.....	A45D 40/24 132/314

2017/0035184 A1 *	2/2017	Sagel	.....	A45D 33/006
2017/0112261 A1 *	4/2017	Grund	.....	A45D 40/222
2020/0146408 A1 *	5/2020	Porras	.....	A46B 5/0095

OTHER PUBLICATIONS

eWORLDTRADE Blusher lip gloss shimmer eyeshadow palette, www.eworldtrade.com 1 page, downloaded Feb. 2021 (Year: 2021).\*

Kleancolor Story of my heart, www.kleancolor.com, 1 page, downloaded Feb. 2021 (Year: 2021).\*

Eyeshadow palette makeup palette 35 bright colors, www.amazon.com, 1 page, reviewed as early as May 2018 (Year: 2018).\*

\* cited by examiner

*Primary Examiner* — Jennifer Rivard  
(74) *Attorney, Agent, or Firm* — ScienBiziP, P.C.

(57) **CLAIM**

The ornamental design for a makeup case, as shown and described.

**DESCRIPTION**

FIG. 1 is a front and top perspective view of a makeup case, showing my design.

FIG. 2 is a front elevation view thereof.

FIG. 3 is a rear elevation view thereof.

FIG. 4 is a left side elevation thereof.

FIG. 5 is a right side elevation thereof.

FIG. 6 is a top plan view thereof.

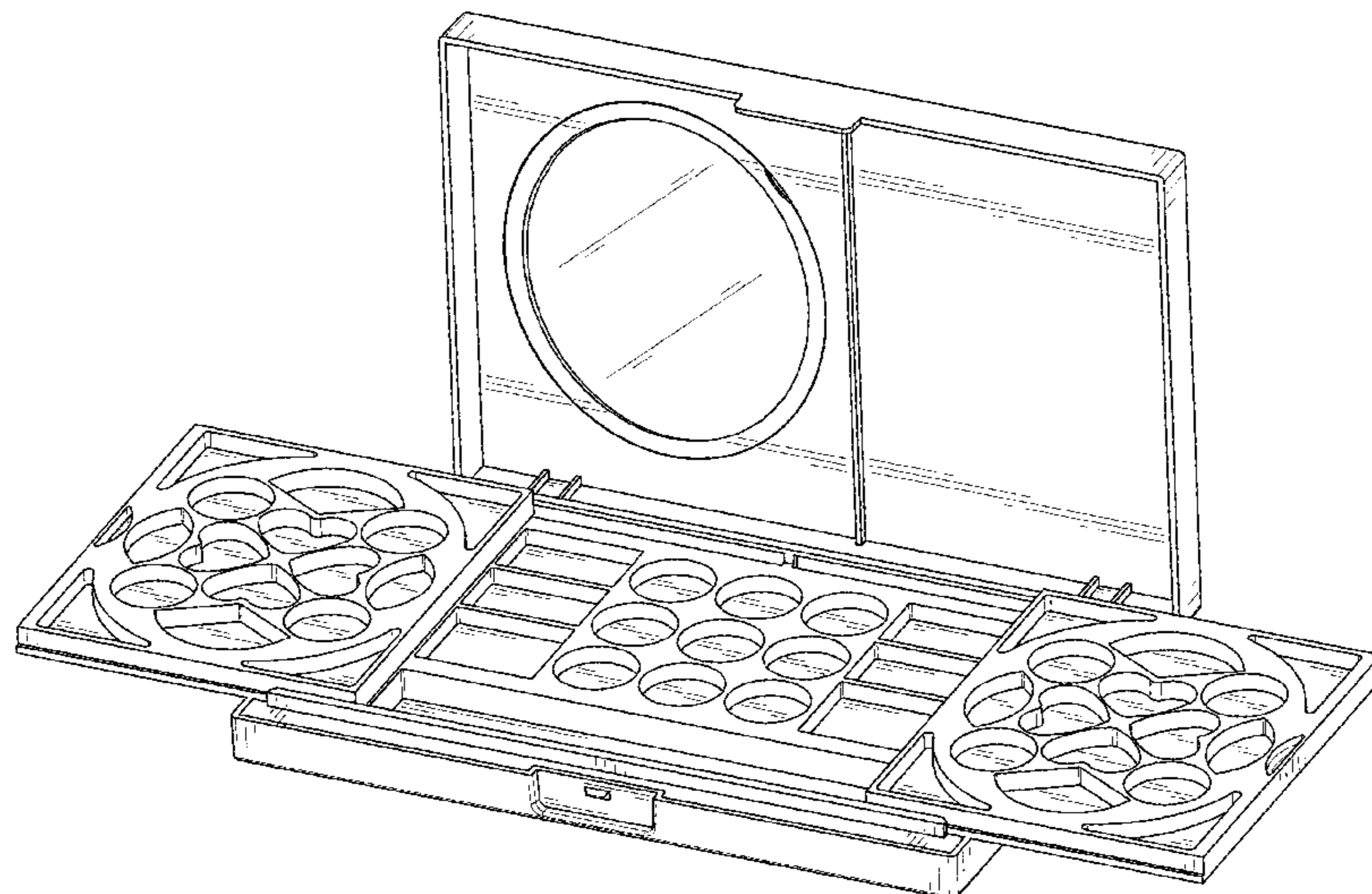
FIG. 7 is a bottom plan view thereof.

FIG. 8 is a perspective view of the makeup case wherein a left side tray and a right side tray are slid into the makeup case; and,

FIG. 9 is a perspective view of the makeup case in a closed state.

The broken lines illustrate the bounds of the claim. The broken lines and the unshaded areas therein form no part of the claimed design.

**1 Claim, 9 Drawing Sheets**



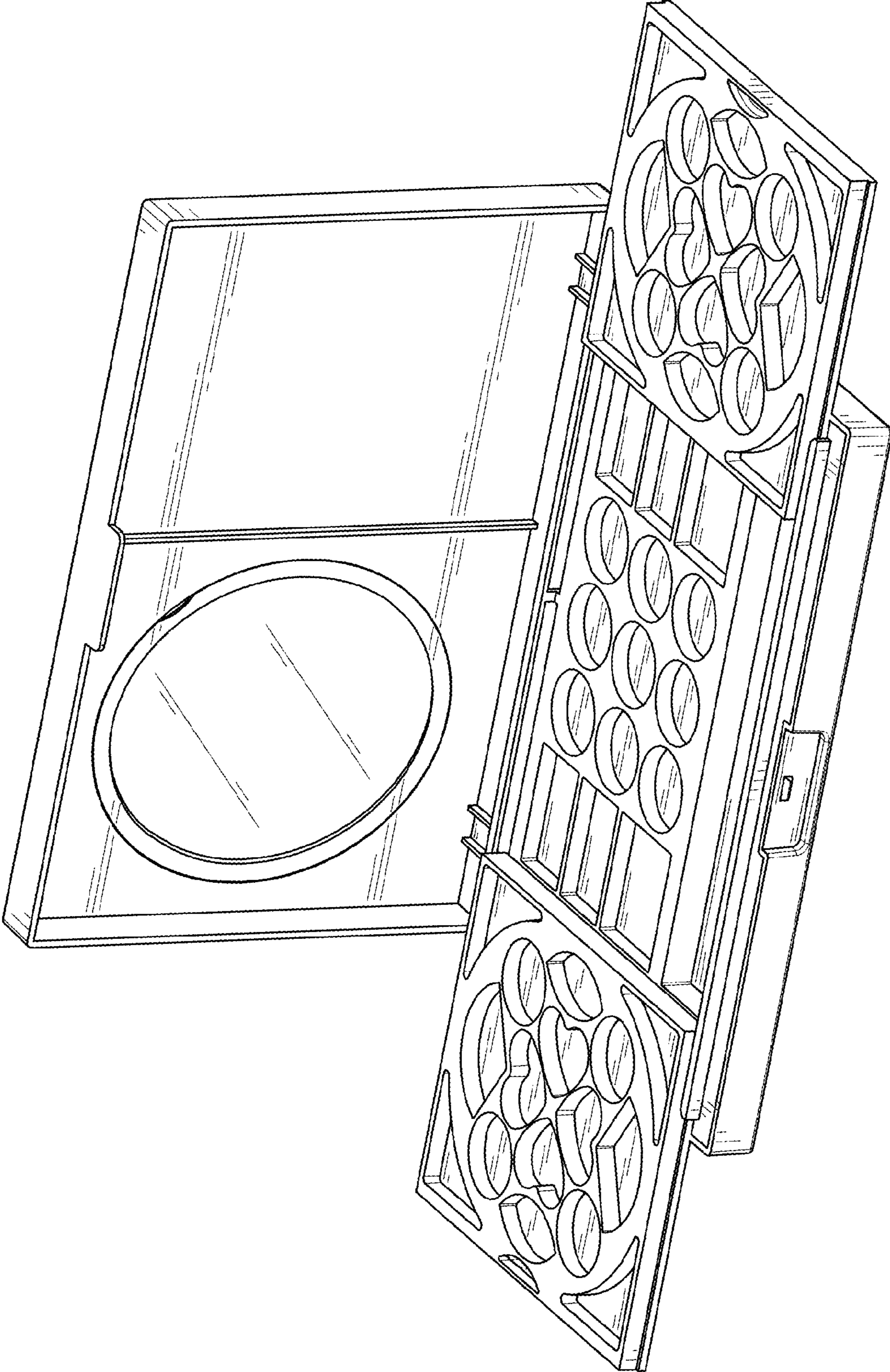


FIG.1

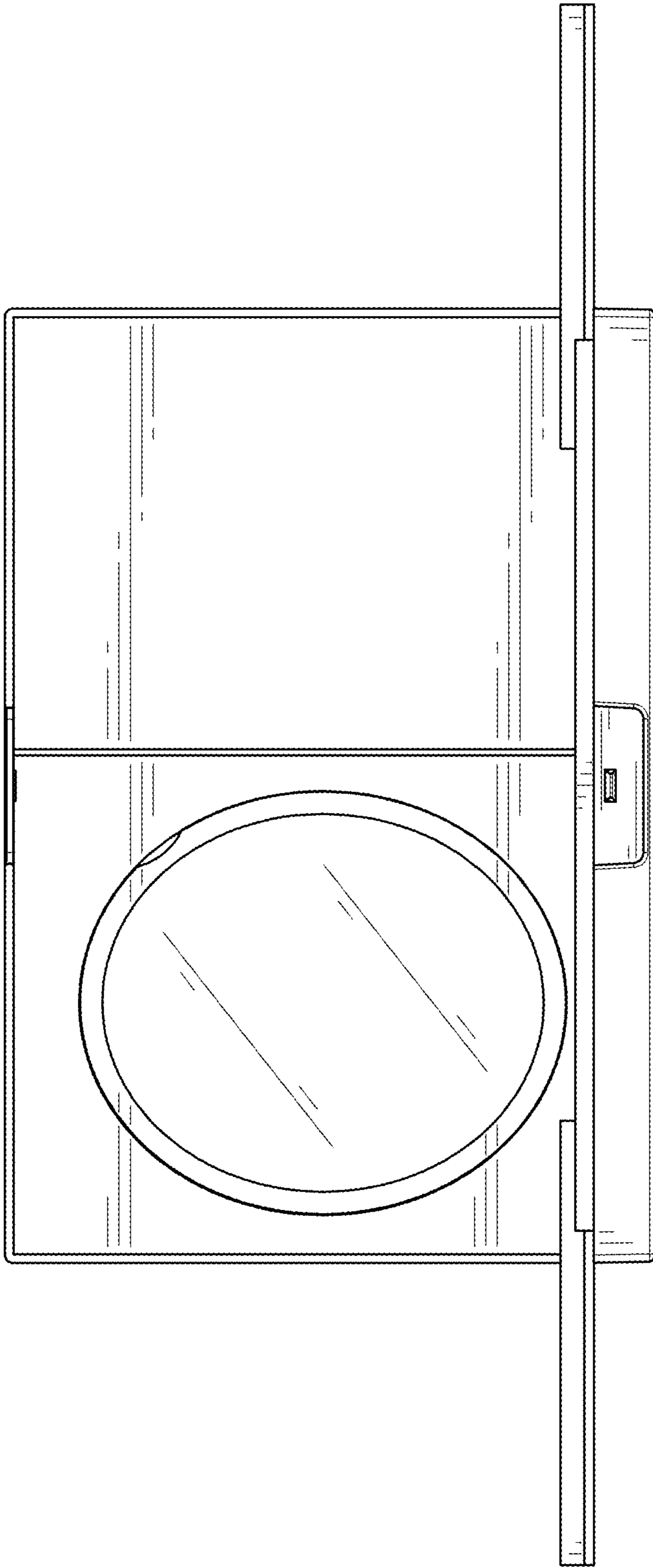


FIG.2

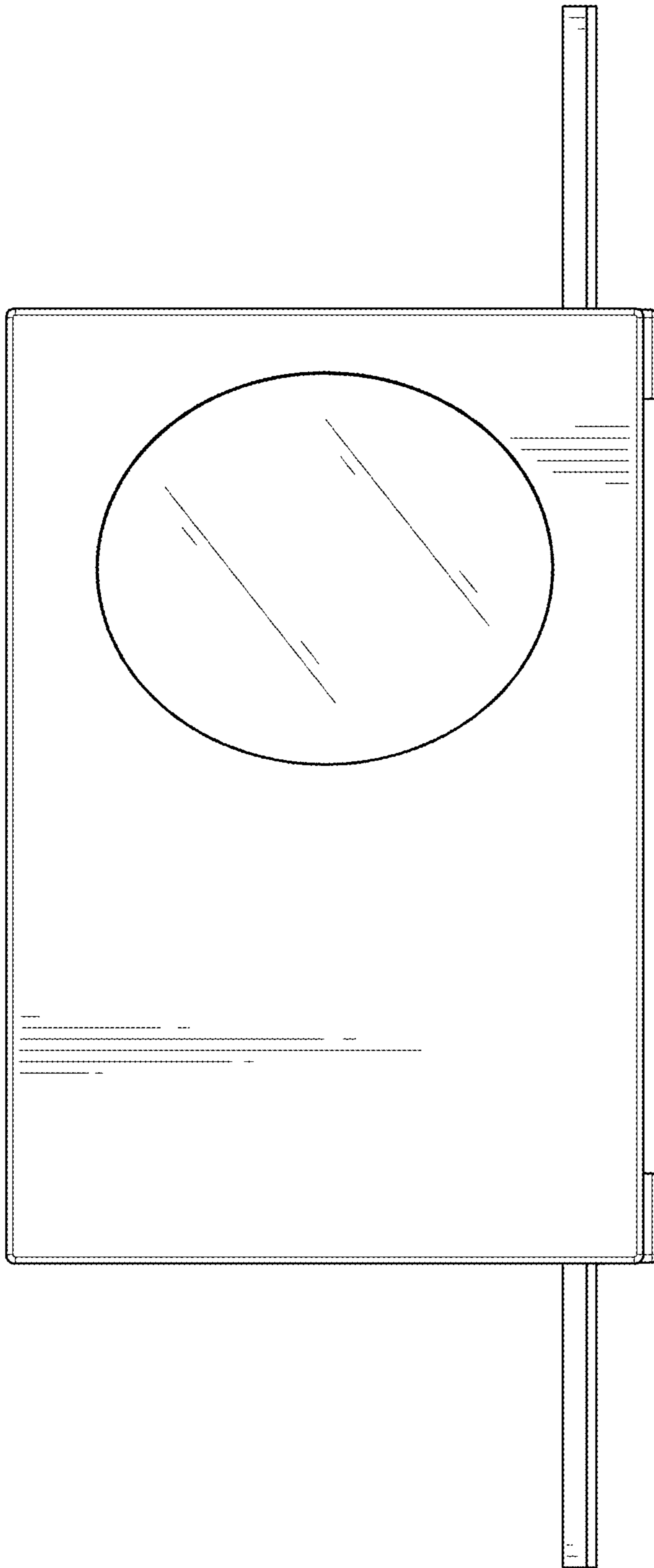


FIG.3



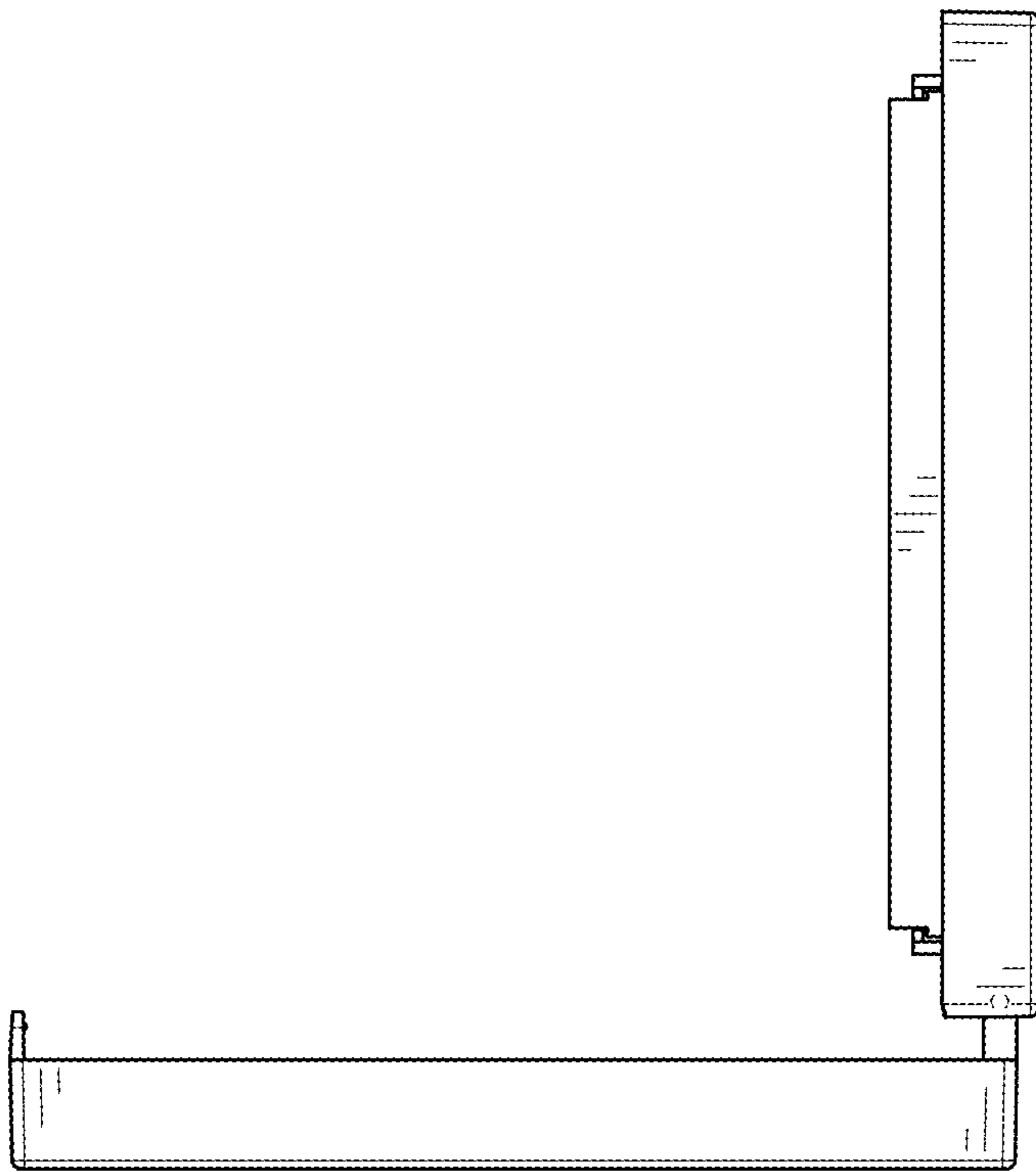


FIG. 4

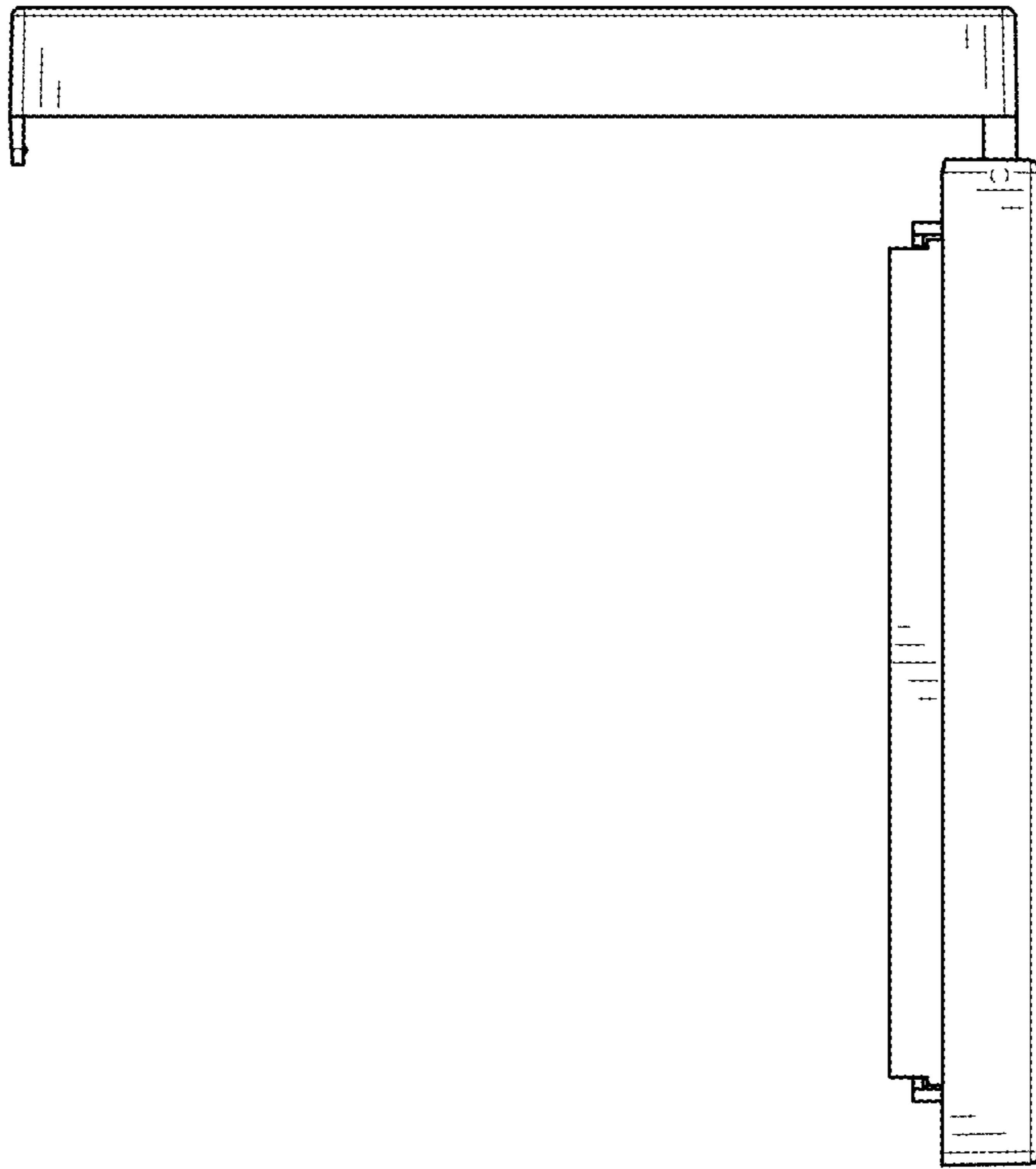


FIG. 5

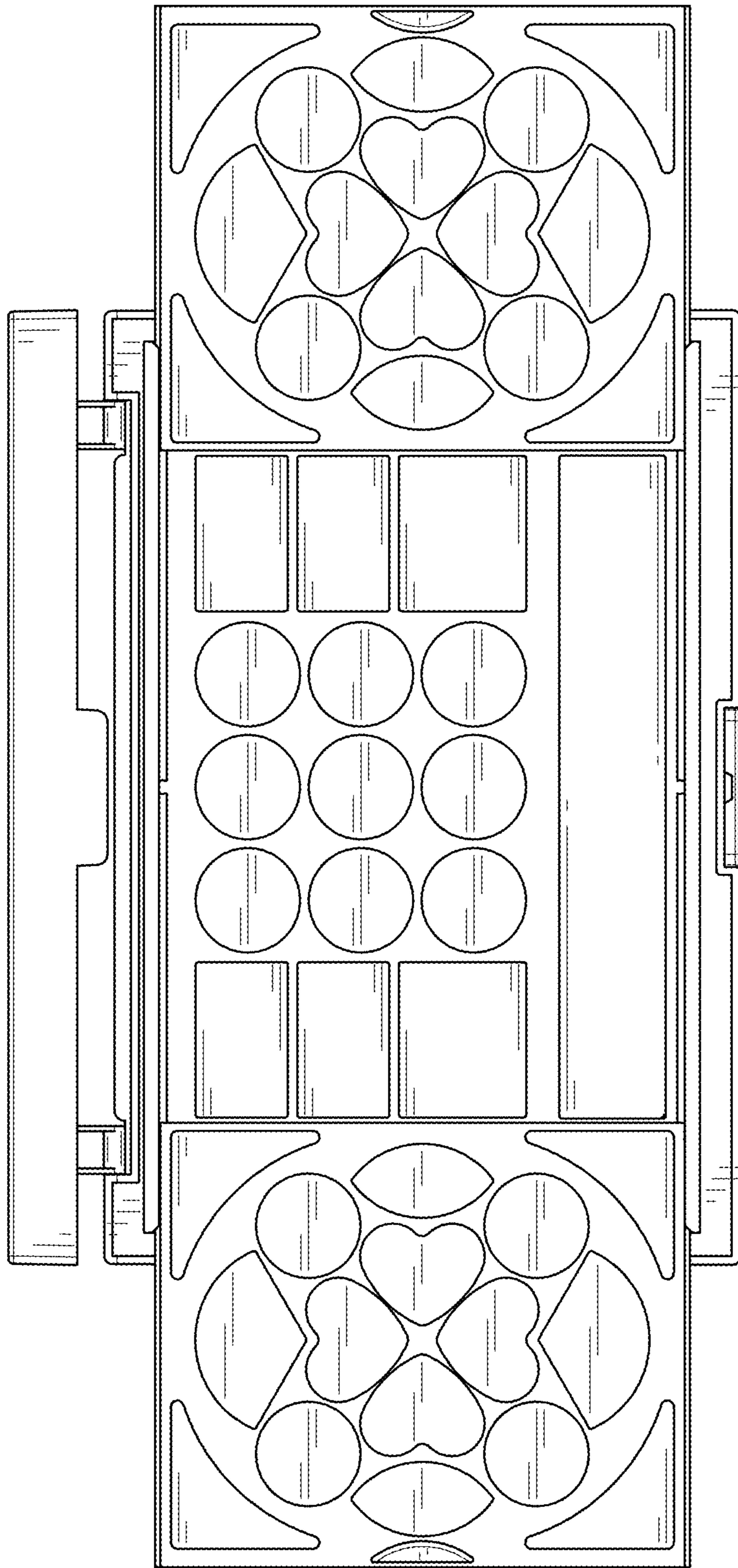


FIG.6

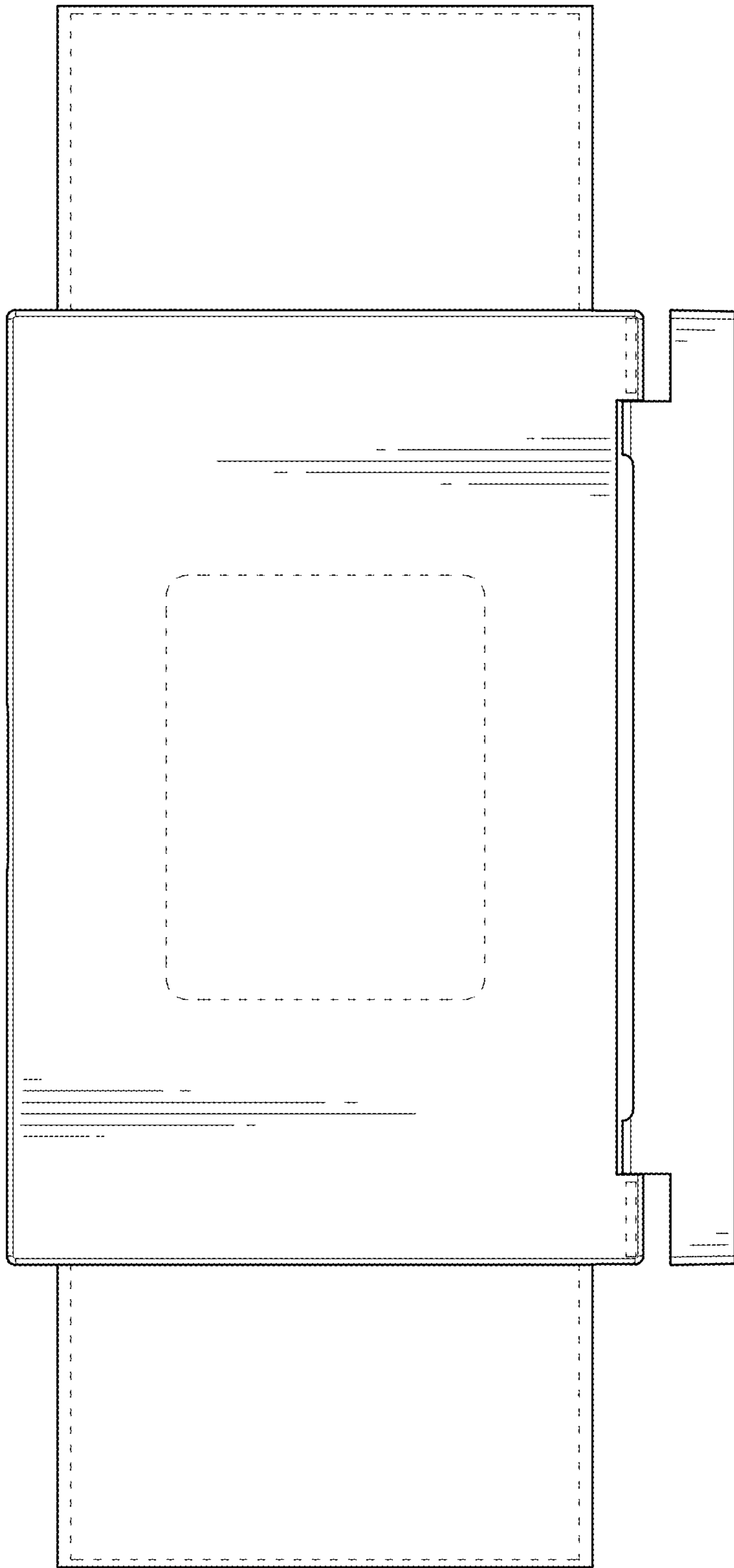


FIG. 7



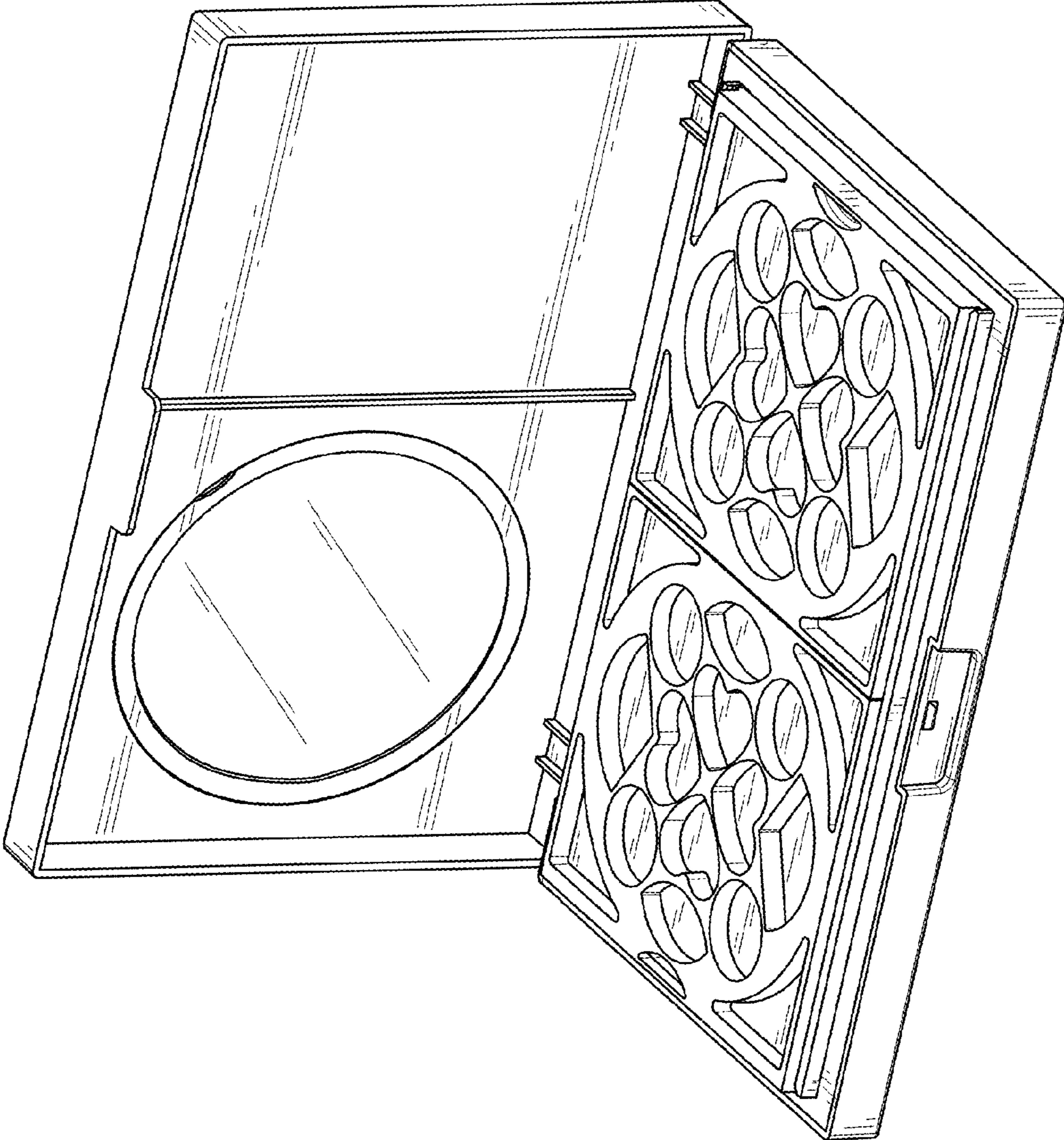


FIG.8

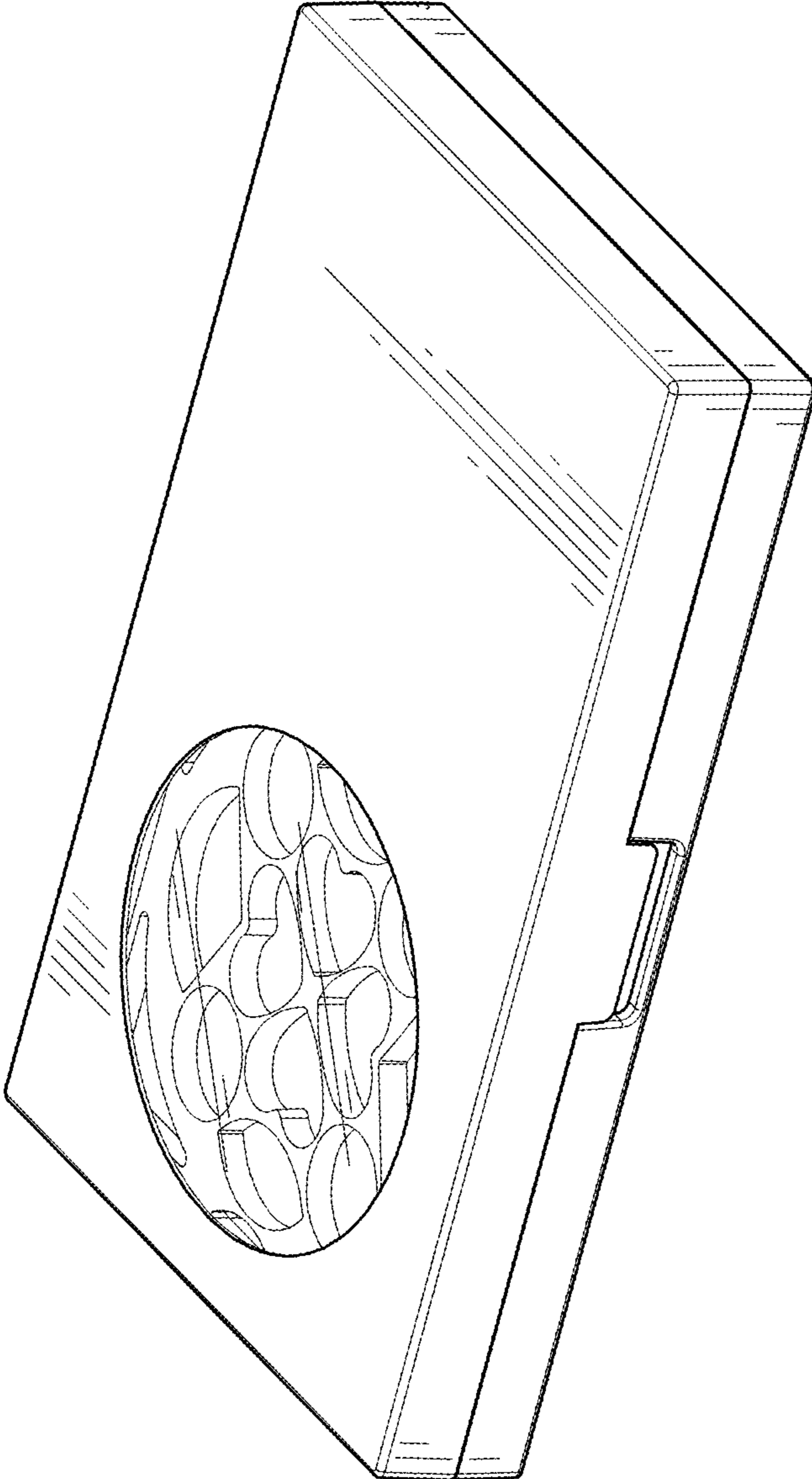


FIG. 9