



US00D917095S

(12) **United States Design Patent** (10) **Patent No.:** **US D917,095 S**
Huang (45) **Date of Patent:** **** Apr. 20, 2021**

- (54) **CURLING IRON SET**
- (71) Applicant: **Dongguan Empress Technology Co., Ltd.**, Dongguan (CN)
- (72) Inventor: **Hali Huang**, Hanchuan (CN)
- (73) Assignee: **Dongguan Empress Technology Co., Ltd.**
- (**) Term: **15 Years**
- (21) Appl. No.: **29/706,233**
- (22) Filed: **Sep. 18, 2019**
- (51) **LOC (13) Cl.** **28-03**
- (52) **U.S. Cl.**
USPC **D28/35**
- (58) **Field of Classification Search**
USPC D28/10, 35, 37, 38
CPC A45D 2/00; A45D 2/001; A45D 2/002;
A45D 2/02; A45D 2/04; A45D 2/06;
A45D 2/08; A45D 2/10; A45D 2/12-22;
A45D 2/24-34; A45D 2/36-367; A45D
1/00; A45D 1/04
See application file for complete search history.

- D865,871 S * 11/2019 Fernandez-Katz D21/333
- D870,967 S * 12/2019 Huang D28/35
- 2007/0095810 A1 * 5/2007 Gniadek A45D 1/04
219/225
- 2009/0205672 A1 * 8/2009 McDonald A45D 6/00
132/266

(Continued)

OTHER PUBLICATIONS

Sutra Beauty 5 Piece Interchangeable Set—YouTube, Sutra Beauty, published on Mar. 4, 2020, retrieved on Nov. 16, 2020, retrieved from the Internet URL: <https://www.youtube.com/watch?v=EbzDI14m3d8>.*

(Continued)

Primary Examiner — Jennifer Rivard
Assistant Examiner — Alison M Ofstun

(57) **CLAIM**

The ornamental design for a curling iron set, as shown and described.

DESCRIPTION

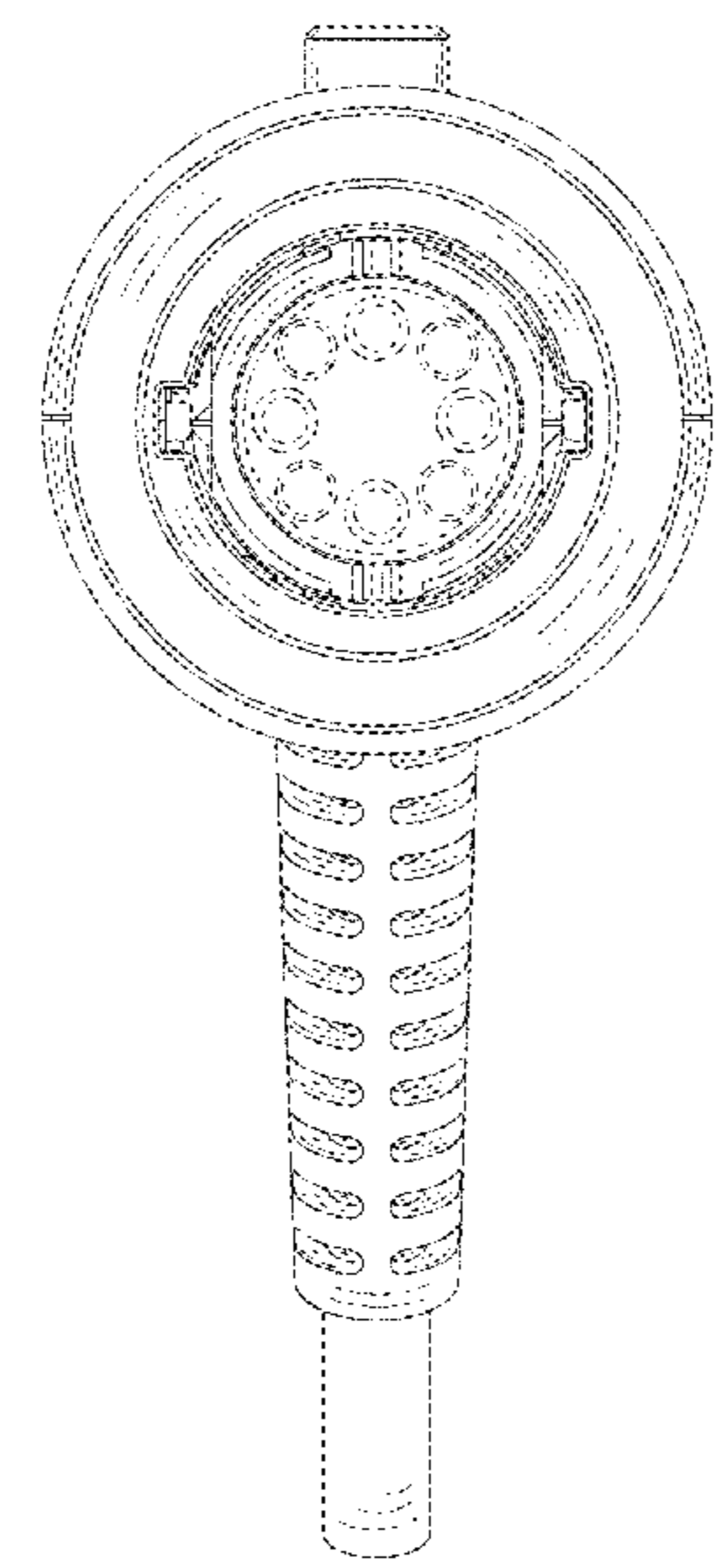
FIG. 1 is a front view of a curling iron set, showing my new design, shown independent of the second component to show aspects of the design not clearly visible when combined;
FIG. 2 is a back view thereof;
FIG. 3 is a left side view thereof;
FIG. 4 is a right side view thereof;
FIG. 5 is a top view thereof;
FIG. 6 is a bottom view thereof;
FIG. 7 is a perspective view thereof, showing both components of the article in an assembled position of use; and,
FIG. 8 is another perspective view thereof, showing both components of the article in an exploded position of use.
In the drawings, the broken lines illustrate portions of the article which form no part of the claimed design.

1 Claim, 8 Drawing Sheets

(56) **References Cited**

U.S. PATENT DOCUMENTS

- 3,859,497 A * 1/1975 McNair A45D 1/04
219/225
- 4,004,596 A * 1/1977 Hyland A45D 1/04
132/232
- 4,228,343 A * 10/1980 Kanner A45D 1/04
219/225
- 5,837,972 A * 11/1998 Padilla A45D 1/04
219/225
- D698,489 S * 1/2014 Byun D28/35
- D726,963 S * 4/2015 Sayers D28/35
- D765,910 S * 9/2016 Bermudez D28/35
- D779,728 S * 2/2017 Bermudez D28/35



(56)

References Cited

U.S. PATENT DOCUMENTS

2018/0249801 A1* 9/2018 Aizenberg A45D 2/367

OTHER PUBLICATIONS

BESTOPE Curling Iron Instant Heat Up Curling Wand Set, reviewed on Sep. 21, 2018, retrieved on Nov. 16, 2020, retrieved from the Internet URL: https://www.amazon.com/BESTOPE-Professional-Curling-Interchangeable-Protective/dp/B07FDT4VR5/ref=sr_1_3_sspa?crid=2IIMZ91CPIY8R&dchild=1&keywords=interchangeable%2Bcurling%2Bwand.*

* cited by examiner

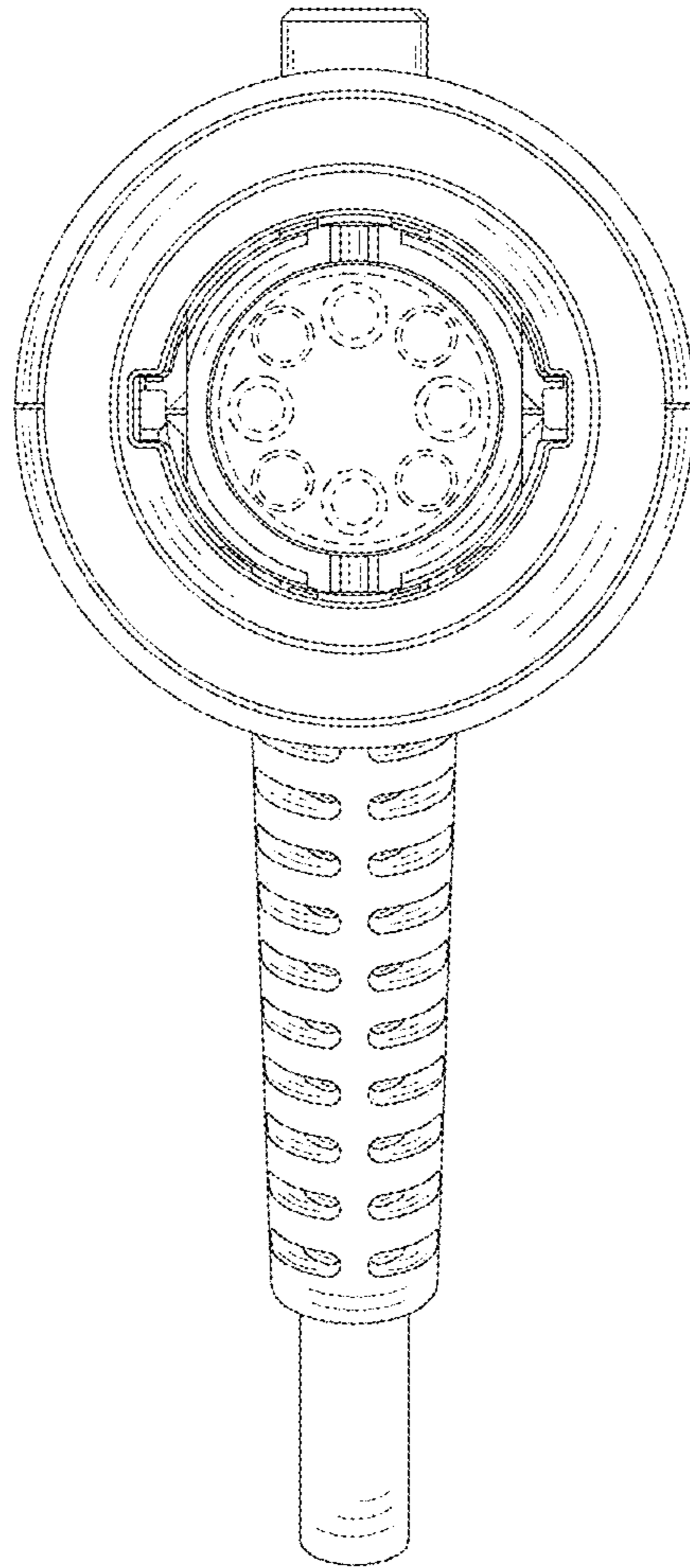


FIG. 1

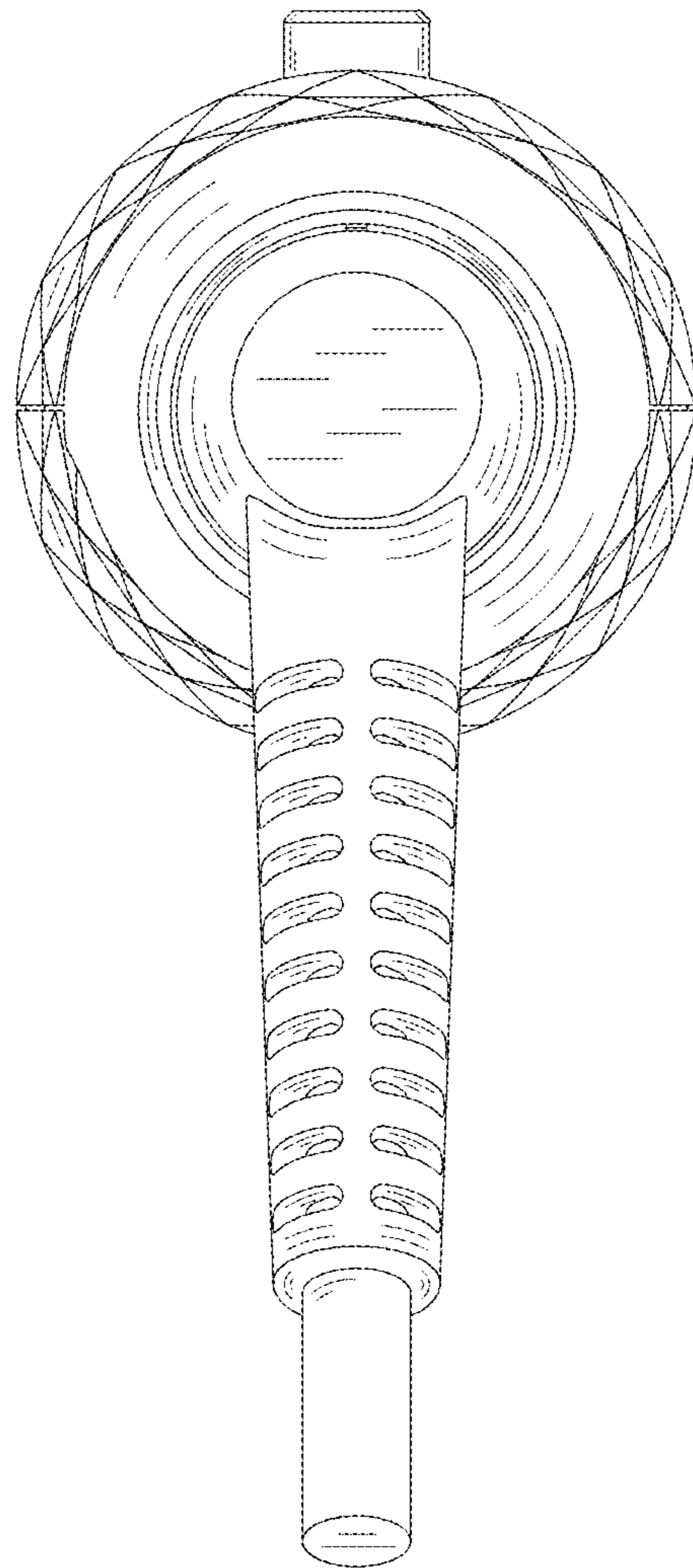


FIG. 2

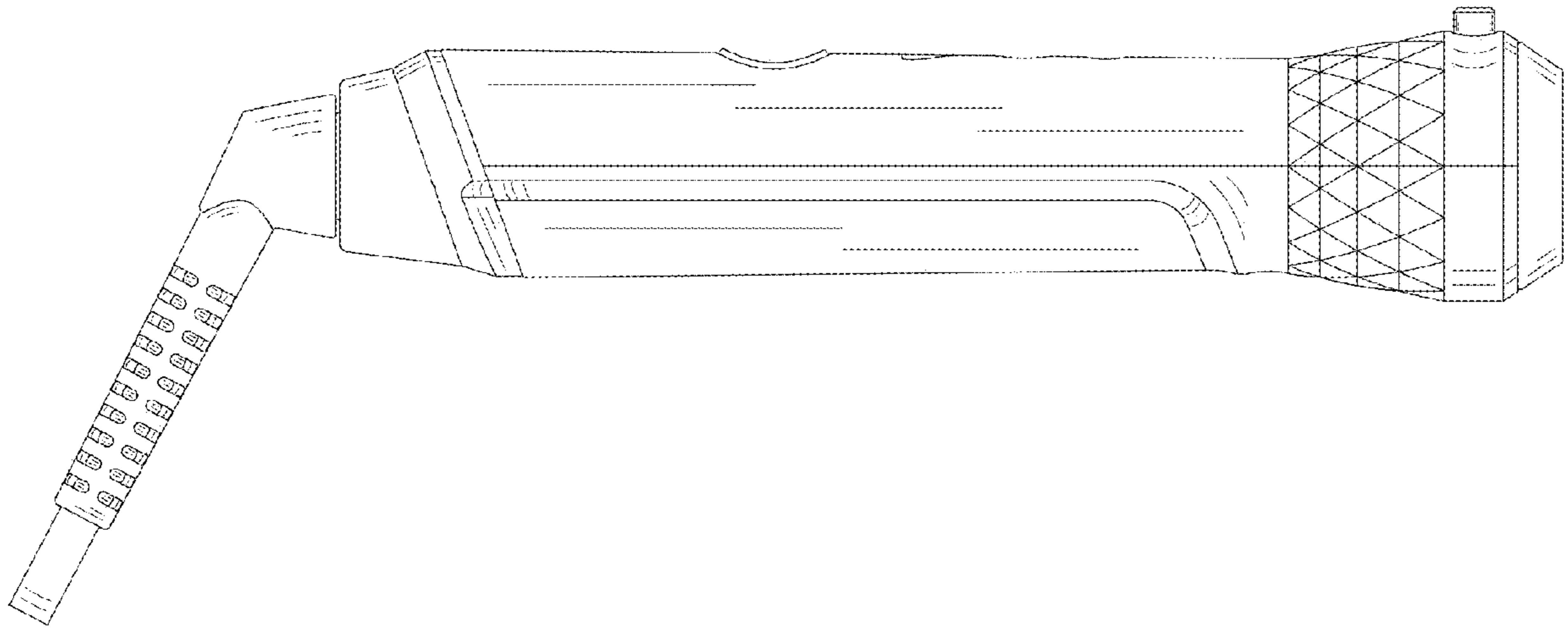


FIG. 3

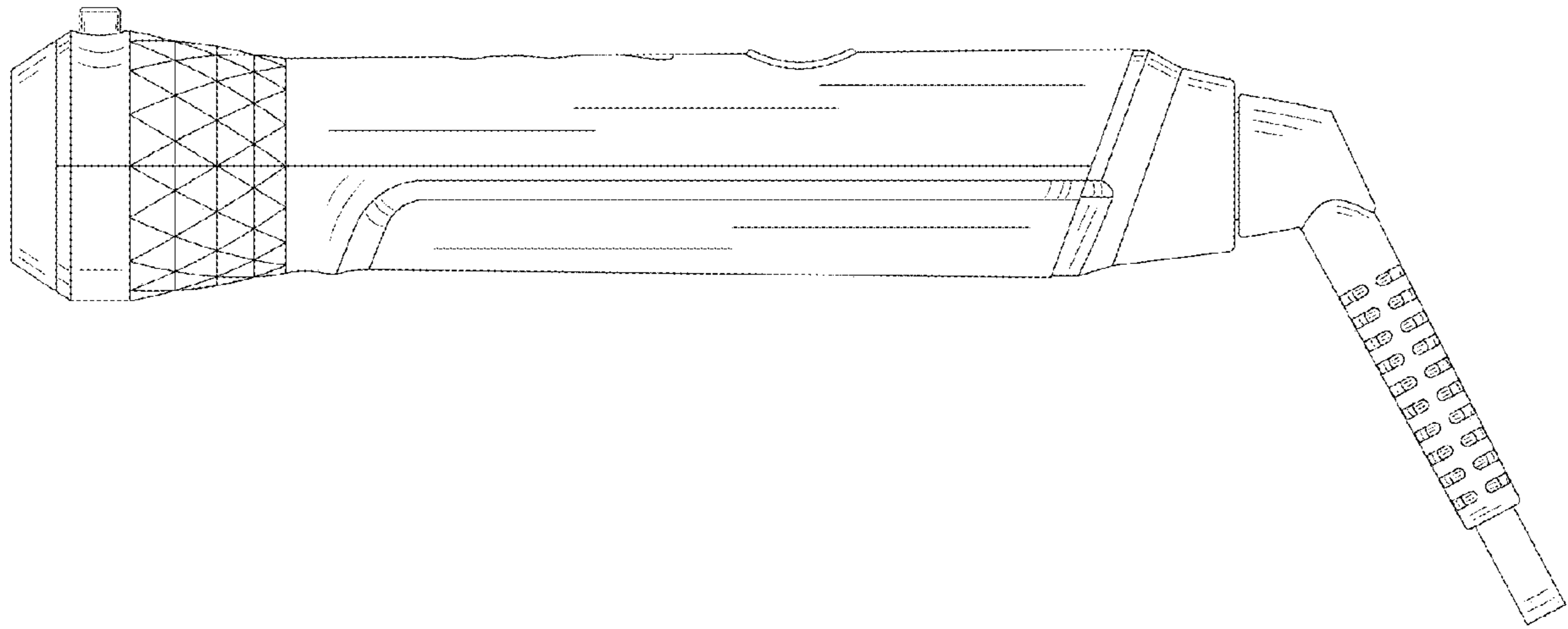


FIG. 4

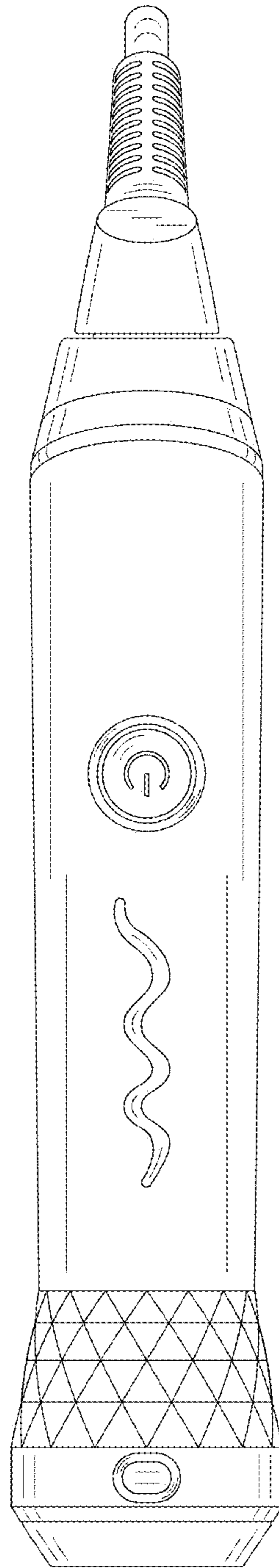


FIG. 5

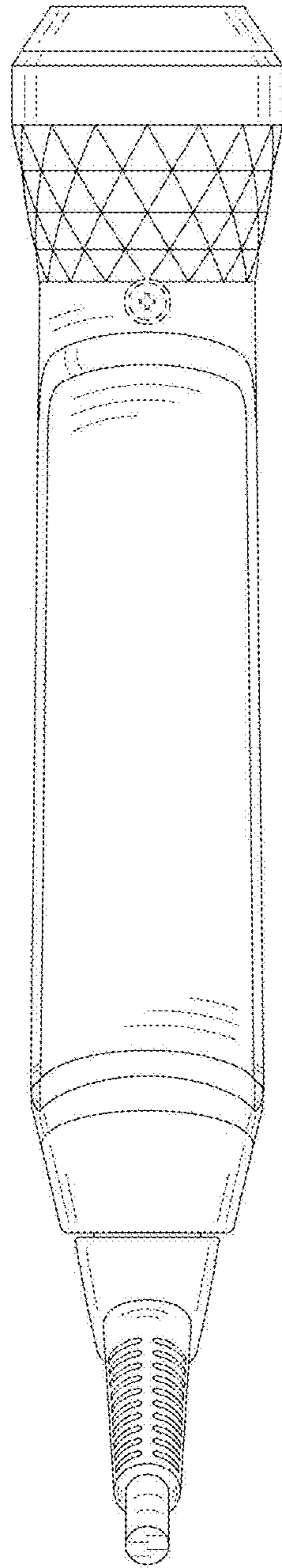


FIG. 6



FIG. 7

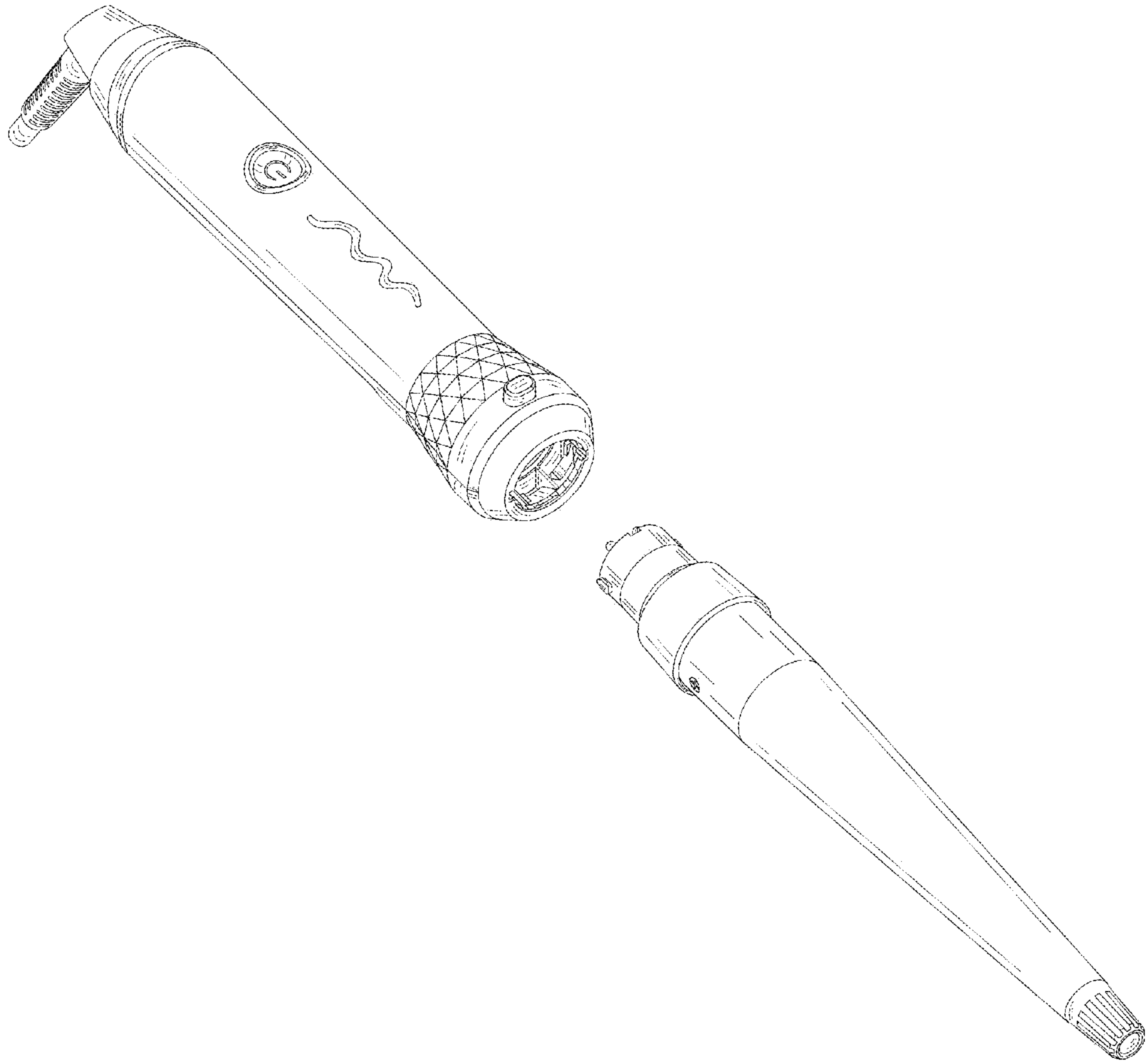


FIG. 8